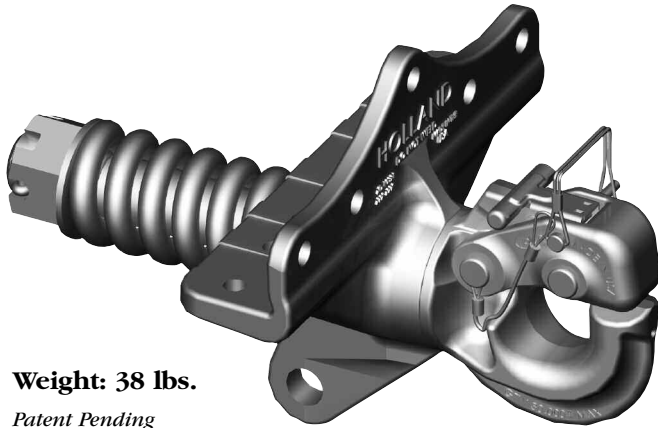




# PH-30SB51

## PH-30SB51 SPECIFICATIONS

Similar to part number PH-T-125-A but with tertiary lock.



**Weight: 38 lbs.**

Patent Pending

**Swivel type pintle hook with spring cushion. Swivel action provides some torsional relief and spring cushion provides some shock absorption at the coupling.**

**6,000 lbs. Maximum Vertical Load  
30,000 lbs. Maximum Gross Trailer Weight**

*Note: In configurations where the Maximum Vertical Load does not exceed 4,000 lb. the Maximum Gross Trailer Weight is 40,000 lbs.*

Tested in accordance with SAE J847 (Type II)

### IMPORTANT SAFETY INFORMATION:

Maintain adequate vertical (tongue) load to properly control the trailer (generally 10%) but do not exceed the above rated capacities.

**DO NOT** damage the latch. Be particularly careful with the drawbar when coupling and uncoupling.

Other steps and inspections are also required. Consult OSHA and D.O.T. regulations and American Trucking Association for complete coupling and uncoupling procedures. These cover items such as cargo securement, brakes, lights, safety chains, and other important requirements.

This equipment must not be used or maintained in a careless manner.

### GENERAL INFORMATION

1. Do not modify or add to the product.
2. Wear safety goggles during installation, removal and servicing.
3. Never strike any part of the pintle hook.
4. Do not weld on this product.

This product is covered by SAF-HOLLAND's Commercial Products Warranty. SAF-HOLLAND reserves the right, without giving prior notice, to change specifications and dimensions as designs are altered or improved.

### TOWING APPLICATIONS

Trailer and equipment designed for over-the-road towing within the stated capacities. Use ONLY with a non-swivel type drawbar. For off-road applications, reduce the capacities above by 25%. This pintle hook is well suited for use in the utility and construction industries.

### DRAWBAR EYE DIMENSIONS

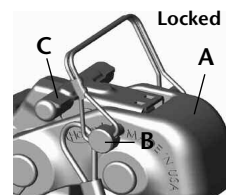
2" to 3" I.D. with 1.25" to 1.63" diameter section.

### MOUNTING

1. Use a mounting structure of sufficient strength to support the rated capacity of the pintle hook in accordance with SAE J847 and SAE J849.
2. Use the hole pattern described on the reverse.
3. It may be easier to mount the pintle hook if the pintle hook is disassembled and the bracket is fastened in place first. If this procedure is desired, remove cotter pin (XB-T-60), nut (XB-T-9N), washer (XA-T-56), spring (XB-T-52) and pintle (XA-10798) from the mounting bracket (XA-10891).
4. Install bracket (or complete pintle hook) using (11) 1/2" Grade 8 fasteners, properly tightened. A lug is provided for the addition of braces as shown on the reverse.
5. If not installed as a unit, install pintle, spring, washer and nut. Tighten nut until snug against the spring. Turn nut an additional 1/2 turn minimum and install cotter pin in the nut castellation. Spread cotter pin. If installed as a unit, verify proper nut adjustment as explained above.

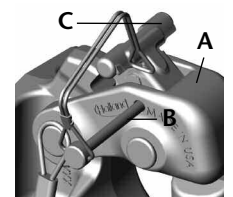
### OPERATING INSTRUCTIONS

1. Before operating, inspect for proper operation, worn, damaged or missing parts and secure mounting. Correct as required before use.
2. Make sure the pintle is in the proper coupling position as shown (latch on top).
3. Open latch (A) by removing lock pin (B) and lifting the lock handle (C).
4. Position the drawbar eye over the horn of the pintle and lower into place.
5. Push the latch (A) closed and insert the lock pin (B) in the hole provided in the latch.



CORRECT

Unlocked



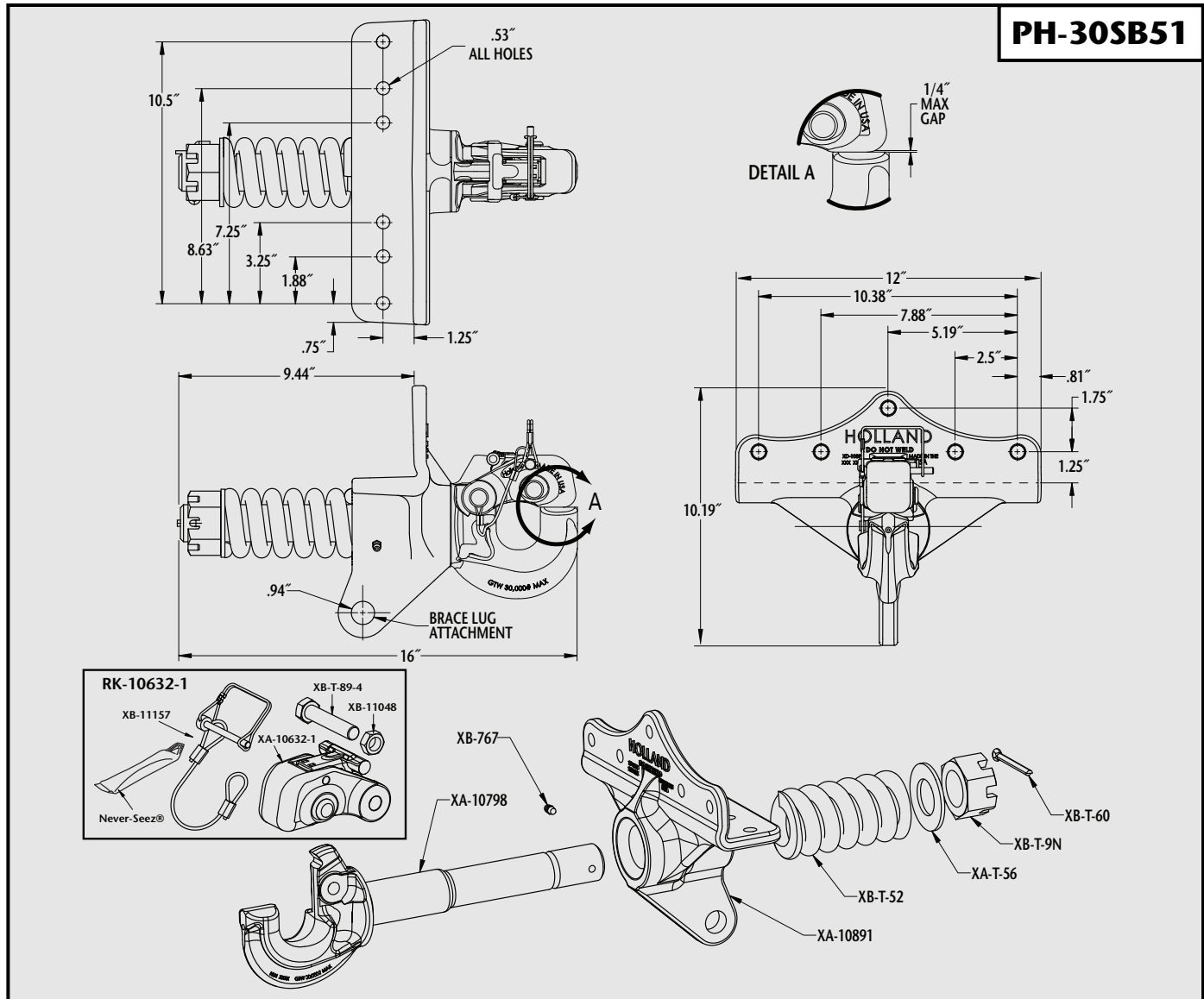
INCORRECT

6. If main lock does not engage when attempting to close latch, do not force it closed by striking. Check bottom of latch and top of horn and lock seating notch on pintle body that they are free of debris.

## MAINTENANCE

For proper performance, the following maintenance steps should be performed every 30,000 miles or 3 months, whichever comes first.

1. Clean and inspect for worn, damaged or missing parts. Replace as required using only Holland parts.
2. Inspect the hook (XA-10798) and latch (XA-10632-1 sub-assembly) in areas where contact is made with the drawbar for excessive wear. Replace the hook when wear exceeds 1/8" (0.125") from the original surface profile.
3. With the latch closed, measure the gap between the hook and the latch while lifting up on the latch. Replace the latch (XA-10632-1 sub-assembly) when the gap exceeds 1/4" (0.250"). See Detail A.
4. Periodically disassemble to inspect for wear on the shank and mounting bracket. Replace any component when wear exceeds 1/8" (0.125") from the original surface profile.
5. Regularly lubricate latch pivot with a light oil lubricant. Apply a small quantity of grease through the grease fitting in the mounting bracket.
6. Check mounting fasteners for proper torque. Retighten nut (XA-T-9N) as instructed in Step 5, of the "Mounting" instructions on page 1.



SAF-HOLLAND USA, Inc.  
888.396.6501 Fax 800.356.3929

SAF-HOLLAND Canada Limited  
519.537.3494 Fax 800.565.7753  
Western Canada  
604.574.7491 Fax 604.574.0244

SAF-HOLLAND International, Inc.  
616.396.6501 Fax 616.356.1511