

ORDERING GUIDE - LSZ13 STEERABLE LIFT SUSPENSIONS

USA
SAF-HOLLAND, Inc.
800.876.3929

CANADA
SAF-HOLLAND, Canada Ltd.
519-537-2366



WITH DRUM OR DISC BRAKE AXLE FOR
TRUCKS & TRACTORS

How-To Submit This Ordering Guide:
Submit completed ordering guide by clicking the "SUBMIT TO" button next one of our SAF-HOLLAND ordering specialist.

Ordering Guide Information: PLEASE DOWNLOAD THIS FORM BEFORE COMPLETING.

This form is designed to collect all necessary information about the suspension application requirements to help determine the appropriate LSZ13 Series configuration for the truck build.

If you have any questions regarding this document please feel free to contact SAF-HOLLAND Customer Service 800-876-3929.

- Please complete all of the information requested on this ordering guide by filling in all appropriate fields.
- To print a copy of this ordering guide for your records click here.

USA

Dave Farragh	Rod Fleming
Kevin Nelson	Ron Kneule
Lance Hampton	Ron Mills
Michael Carroll	Sam Rozzi
Philip Gemender	Steve Kollins
Rick Bivens	Steve Kurtzer

CANADA

Jim Visser	Matt Tubbe
------------	------------

GENERAL INFORMATION

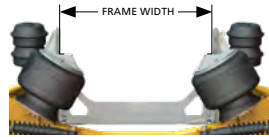
CUSTOMER INFORMATION

Date:	Estimated Trailers for this Specification:	
Company Name:	Contact Name:	
Street Address:		
City:	State/Province:	Zip Code/Postal Code:
Telephone:	Fax:	E-Mail:

END USER INFORMATION

Company Name:	Contact Name:	
Street Address:		
City:	State/Province:	Zip Code/Postal Code:
Telephone:	Fax:	E-Mail:

IMPORTANT INFORMATION All fields required unless noted as optional.

Truck Configuration (Tank, Dump, etc.):	Fully Laden Frame to Ground: _____ inches Note: Measured from bottom of frame rail to ground at lift axle location.
GVWR (Gross Vehicle Weight Rating): _____ lbs.	Lift Axle Tire Manufacturer: _____
Expected LSZ Load: _____ lbs.	Lift Axle Tire Size (i.e. 255/70R22.5): _____ Note: Tire size is used for ride height calculation and will not be supplied with lift axle.
Number of Lift Axles: _____	Lift Axle Placement: Pusher (In front of the drive suspension) Note: Select both if applicable Tag (Behind the drive suspension)
Drive Suspension Type: Air Mechanical - Walking Beam Mechanical - Rubber Walking Beam Mechanical - Leaf Mechanical - Leaf Walking Beam	Frame Width (Outside to Outside): 33.5 - 34.5* inches.
Drive Suspension Make/Model: Optional	 *Contact SAF-HOLLAND if outside of above range.



ORDERING GUIDE - LSZ13 STEERABLE LIFT SUSPENSIONS



WITH DRUM OR DISC BRAKE AXLE FOR TRUCKS & TRACTORS

OPTIONAL PORTION OF CONFIGURATION

Frame Bracket Mounting Patterns:	Non-Drilled (Standard) Drilled (8 hole); see Image A below	
Brakes/Wheel Ends:	Drum (Standard Meritor 15x4) w/Walther hub Disc (Standard Bendix ADB22X) w/ConMet hub None	
Note: If other options are needed please contact your SAF-HOLLAND Representative.		
Pederson Fender Brackets:	Yes	No
Note: For Disc & Drum Brakes.		
Hub Lubrication:	80/90 Gear Oil	None
Plumbing:	None Fully Plumbed (If fully plumbed, tank height must be selected*) Low Tank Mount (Most Driveline Clearance) High Tank Mount (Most Ground Clearance)	
*Note: Tank mount dimensions vary based on ride height determination. (see Image B below)		

OPTIONS SOLD SEPARATELY

Air Kit:	Fully Plumbed Suspension Non-Fully Plumbed Suspension	
Fully Plumbed:	Inside Controls (in cab mount) Order Part Number 90560171 1 per Axle - Specify Quantity: <input type="text"/>	
	Outside Controls (exterior mount) Order Part Number 90560180 1 per Axle - Specify Quantity: <input type="text"/>	
Non-Fully Plumbed:	Inside Controls (in cab mount) Order Part Number 90560162 1 per Axle - Specify Quantity: <input type="text"/>	
	Outside Controls (exterior mount) Order Part Number 90560163 1 per Axle - Specify Quantity: <input type="text"/>	

DIMENSIONAL AND REFERENCE VIEWS

LSZ13 STEERABLE LIFT SUSPENSIONS SHOWN - All Dimensions Are Reference inches [millimeters]

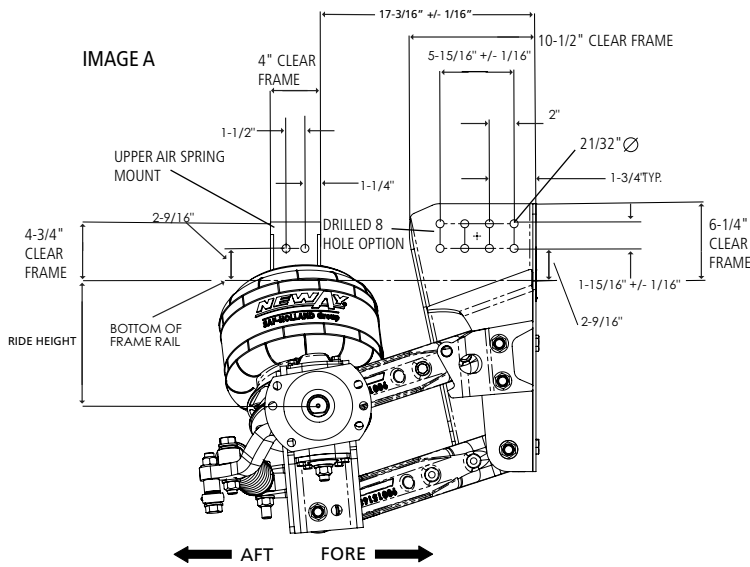


IMAGE B

TANK MOUNT HIGH

6-5/8" = 10" Ride Height
9-5/8" = 13" Ride Height



TANK MOUNT LOW

8-3/8" = 10" Ride Height
11-3/8" = 13" Ride Height

