

# Service Bulletin

## LSZ13 Suspensions

### LSZ13 Kingpin Replacement

April 2016

#### Introduction

The service kit 48100641 is designed for replacing Generation 1,2, and 3 kingpin assemblies. The service kit 48100661 is for Generation 4 only. Installation procedures are detailed in LSZ Repair Manual, XL-PS20054RM-en-US.

Use of ONLY SAF-HOLLAND® Original Parts is recommended.

**NOTE:** A list of SAF-HOLLAND technical support locations that supply SAF-HOLLAND Original Parts can be found on our website at [www.safholland.us](http://www.safholland.us) or contact SAF-HOLLAND Customer service Group at 888-396-6501.

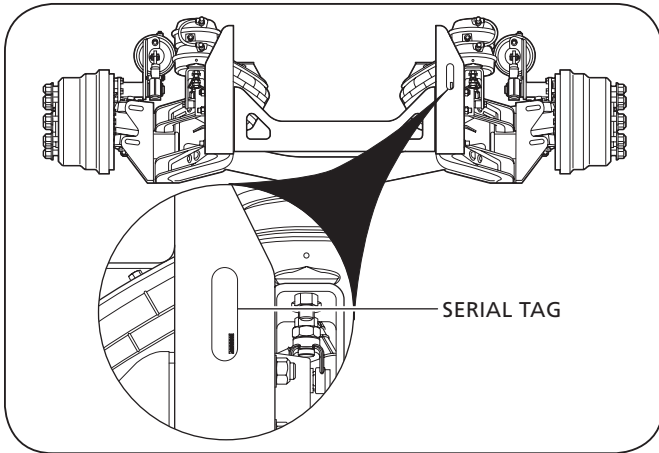
#### Identification

**Table 1** describes how to identify the correct kingpin generation. The date of manufacture and serial number can be found on the suspension's serial tag located on the front face of the roadside frame bracket (**Figure 1**). **Figures 2, 3, 4, and 5** show the visual differences between the kingpin generations.

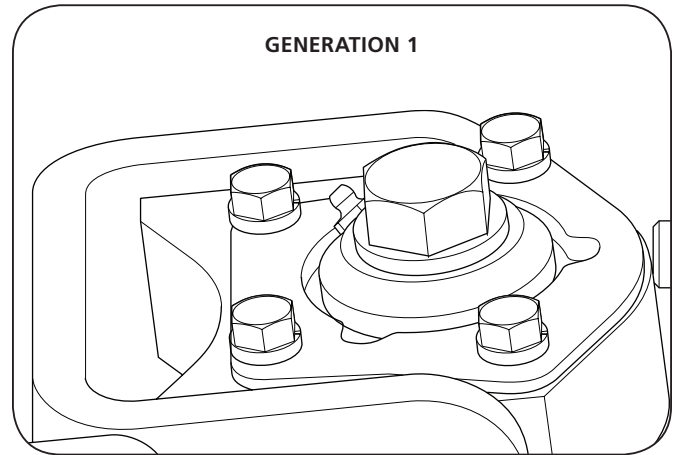
**Table 1**

	KINGPIN IDENTIFICATION		
	DATE	SERIAL NUMBER	DESCRIPTION
GENERATION 1	Manufactured Before October 1, 2015	61131930133 - 61152440000	Grease fitting in top of kingpin ( <b>Figure 2</b> )
GENERATION 2	Manufactured Oct 2, 2015 - May 6, 2016	61152440001 - 61161260078	Stamped cap with 3/8" holes and grease fitting ( <b>Figure 3</b> )
GENERATION 3	Manufactured May 7, 2016 - Feb 1, 2017	61161300020 - 61170300064	Welded cap with grease fitting ( <b>Figure 4</b> )
GENERATION 4	Manufactured after Feb 2, 2017	61170330136	Stamped cap with 1/4" holes, no grease fitting ( <b>Figure 5</b> )

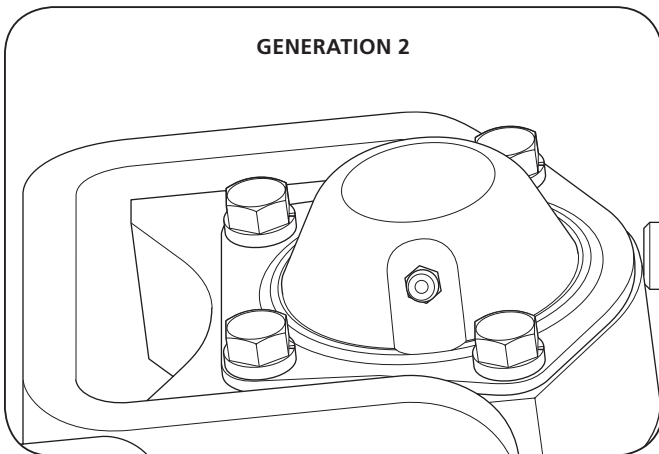
**Figure 1**



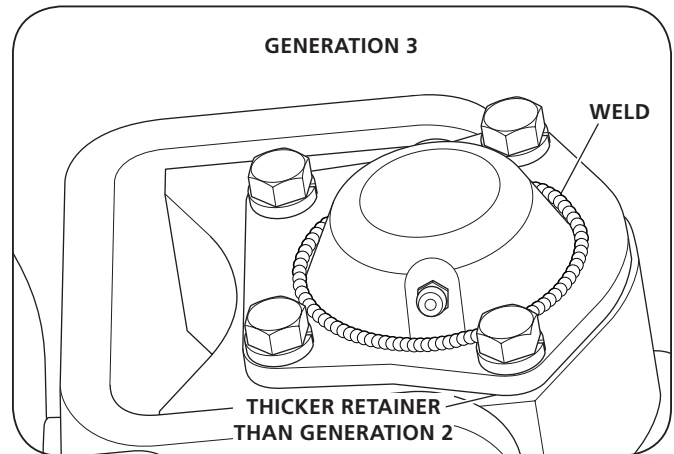
**Figure 2**



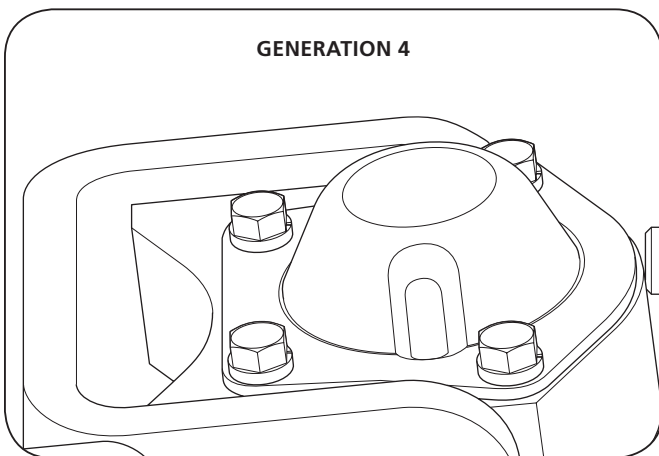
**Figure 3**



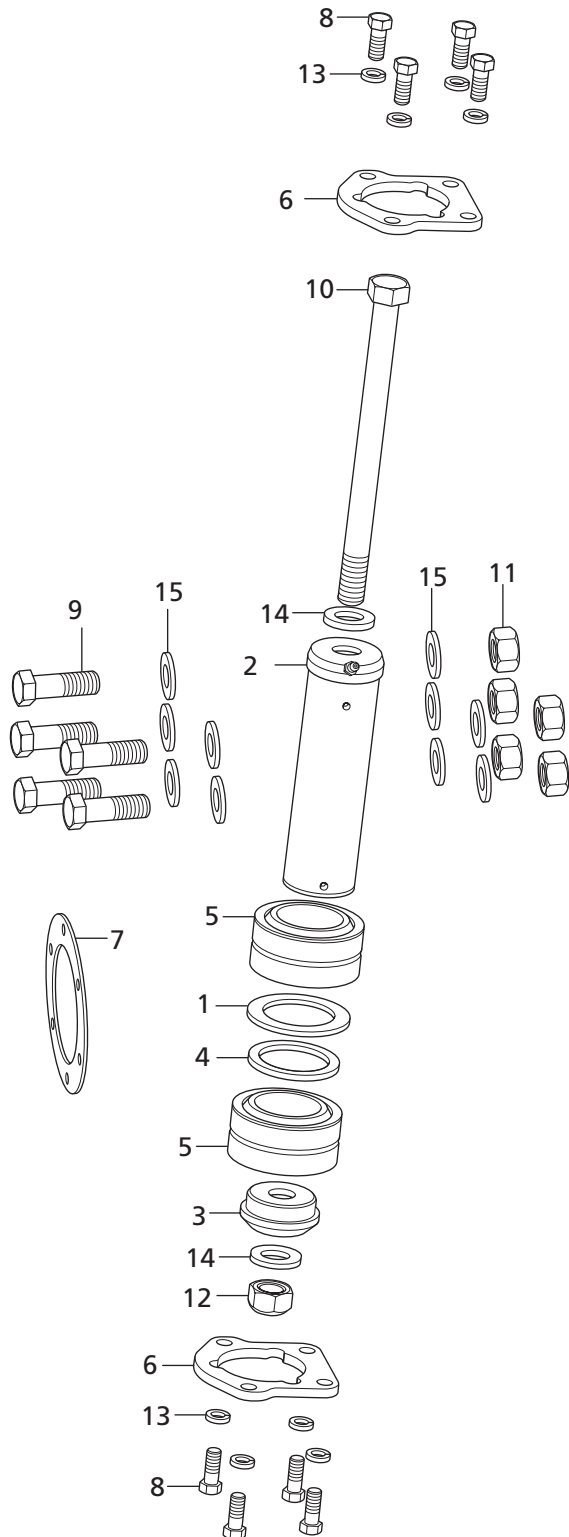
**Figure 4**



**Figure 5**



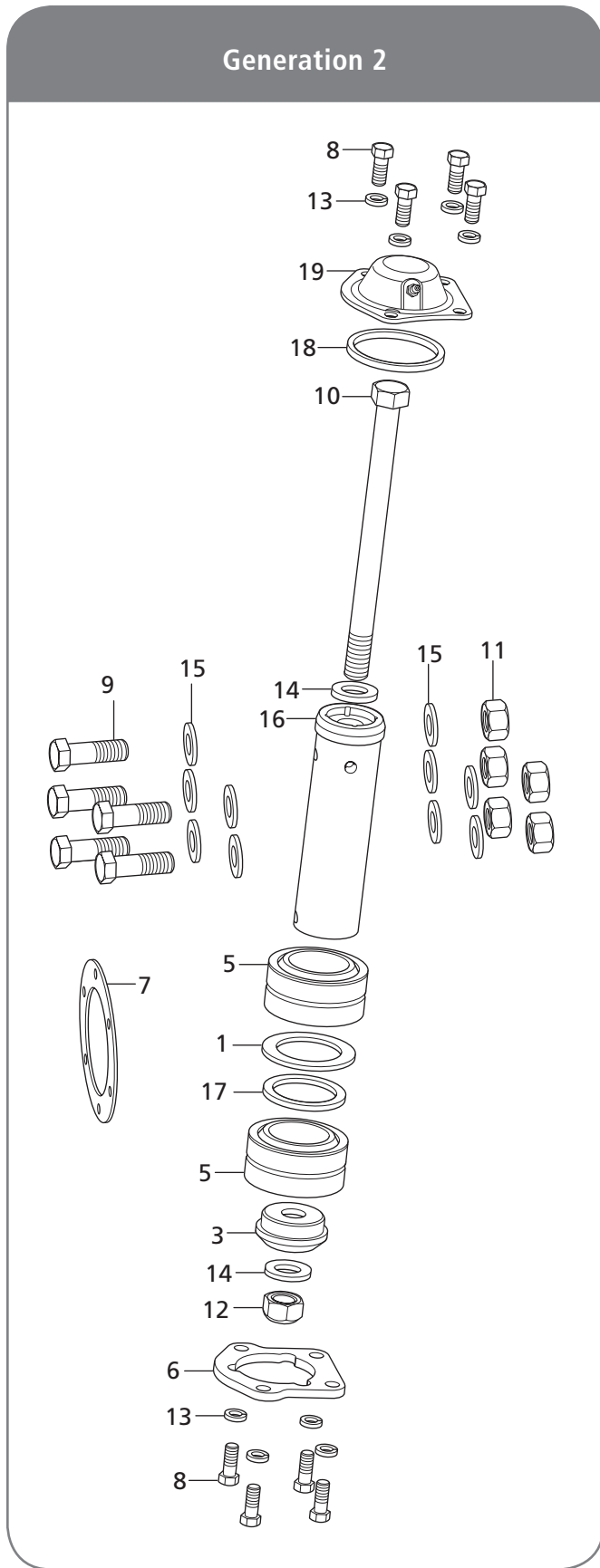
Generation 1



LSZ13 PARTS LIST BEFORE OCTOBER 1<sup>ST</sup> 2015

ITEM	DESCRIPTION	PART NUMBER	QTY.
1	Washer, Hard, Spindle - Thin	93600572	2
2	Kingpin	90038548	2
3	End Cap	90010068	2
4	Washer, Hard, Spindle - Thick	93600571	2
5	Bearing, Spherical, Plain	90045663	4
6	Retainer	90034869	4
7	Gasket	90070004	2
8	Cap Screw, Hex, 3/8"-16 x 1" GR 8	93002573	16
9	Cap Screw, Hex, 5/8"-18 x 2" GR 8	93003348	10
10	Cap Screw, Hex, 3/4"-10 x 9-1/2" GR 8	93003743	2
11	Nut, Hex, Lock, 5/8"-18 GR C	93400491	10
12	Nut, Hex, Lock 3/4-10 GR C	93400494	2
13	Washer, Lock, 3/8"	93600045	16
14	Washer, Flat Narrow 3/4"	93600156	4
15	Washer, Flat, Hard, 5/8"	93600555	20
	LSZ13/20 Kinpin Spindle Repair Manual (not shown)	XL-PS20054RM-en-US	1
	Never-Seez® (not shown)	XB-02967	1
	Grease, Premium Synthetic (not shown)	50844001	1

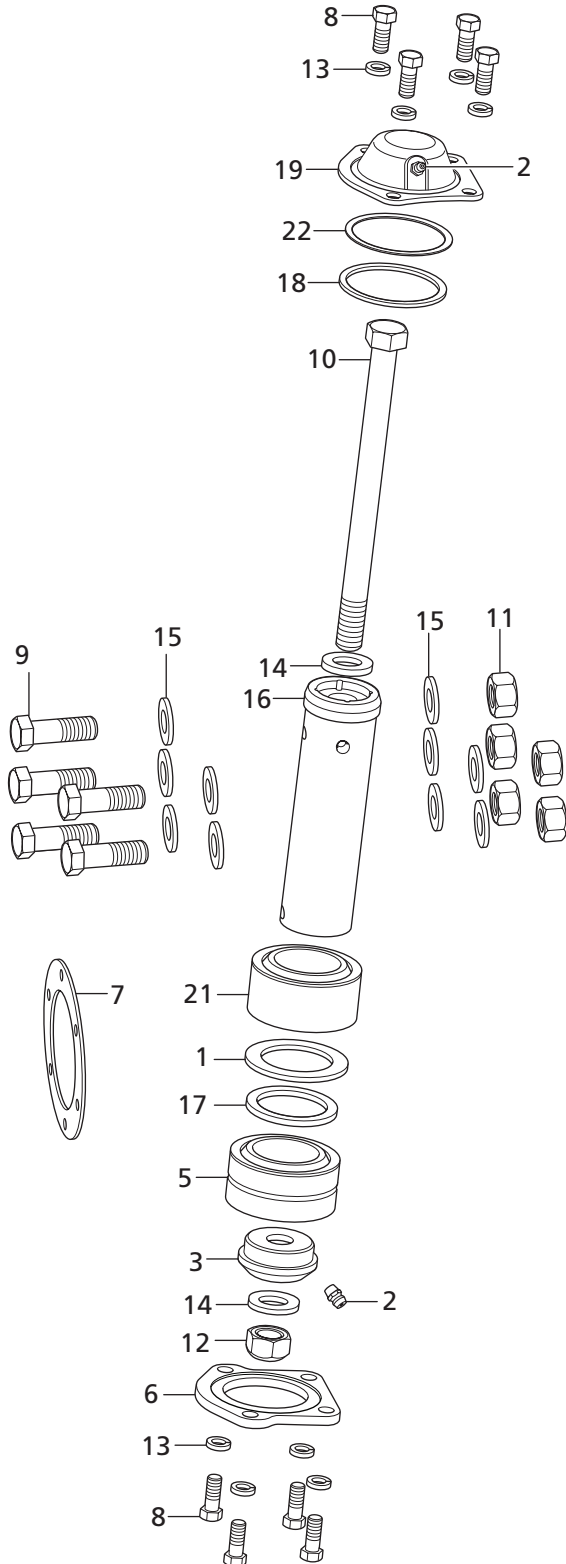
**NOTE:** If axle is equipped with Generation 1 kingpin, the required repair kit is 48100641 Generation 3 **ONLY**.



LSZ13 PARTS LIST MANUFACTURED OCT 2, 2015 - MAY 6, 2017			
ITEM	DESCRIPTION	PART NUMBER	QTY.
1	Washer, Hard, Spindle - Thin	93600572	2
3	End Cap	90010068	2
5	Bearing, Spherical, Plain	90045663	4
6	Retainer	90034869	2
7	Gasket	90070004	2
8	Cap Screw, Hex, 3/8"-16 x 1" GR 8	93002573	16
9	Cap Screw, Hex, 5/8"-18 x 2" GR 8	93003348	10
10	Cap Screw, Hex, 3/4"-10 x 9-1/2" GR 8	93003743	2
11	Nut, Hex, Lock, 5/8"-18 GR C	93400491	10
12	Nut, Hex, Lock 3/4-10 GR C	93400494	2
13	Washer, Lock, 3/8"	93600045	16
14	Washer, Flat Narrow 3/4"	93600156	4
15	Washer, Flat, Hard, 5/8"	93600555	20
16	Kingpin	90038589	2
17	Washer, Hard, Spindle - Thick	93600571	2
18	Square Cut Ring, 3 1/8"	90045751	2
19	Kingpin Cap Assembly Left-Hand	90510138	1
20	Kingpin Cap Assembly Right-Hand (not shown)	90510139	1
	LSZ13/20 Kinpin Spindle Repair Manual (not shown)	XL-PS20054RM-en-US	1
	Never-Seez® (not shown)	XB-02967	1
	Grease, Premium Synthetic (not shown)	50844001	1

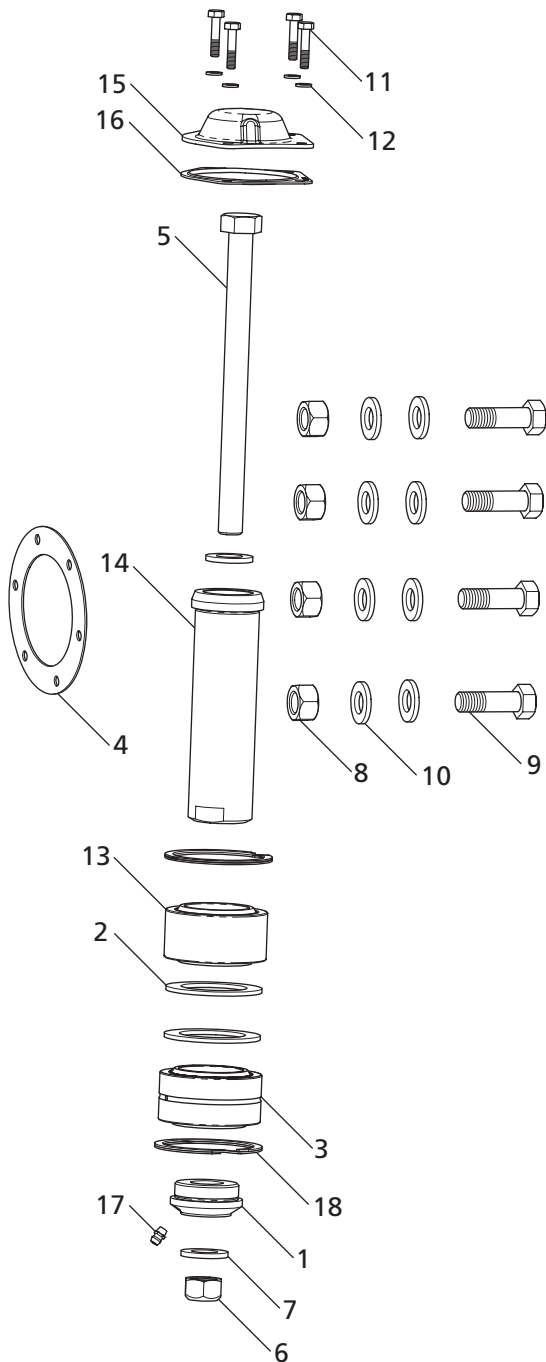
**NOTE:** If axle is equipped with Generation 2 kingpin, the required repair kit is 48100641 Generation 3 **ONLY**.

Generation 3, Kingpin Kit - 48100641



LSZ13 PARTS LIST MANUFACTURED MAY 7, 2016 - FEB 1, 2017			
ITEM	DESCRIPTION	PART NUMBER	QTY.
1	Washer, Hard, Spindle - Thin	93600572	2
2	Fitting, Lube	XB-767	4
3	End Cap	90010068	2
5	Bearing, Spherical, Plain (lower only)	90045663	2
6	Retainer	90035006	2
7	Gasket	90070004	2
8	Cap Screw, Hex, 3/8"-16 x 1" GR 8	93002573	16
9	Cap Screw, Hex, 5/8"-18 x 2" GR 8	93003348	10
10	Cap Screw, Hex, 3/4"-10 x 9-1/2" GR 8	93003743	2
11	Nut, Hex, Lock, 5/8"-18 GR C	93400491	10
12	Nut, Hex, Lock 3/4-10 GR C	93400494	2
13	Washer, Lock, 3/8"	93600045	16
14	Washer, Flat Narrow 3/4"	93600156	4
15	Washer, Flat, Hard, 5/8"	93600555	20
16	Kingpin	90038589	2
17	Washer, Hard, Spindle - Thick	93600571	2
18	Square Cut Ring, 3 3/16"	90045757	2
19	Kingpin Cap Assembly Left-Hand	90510140	1
20	Kingpin Cap Assembly Right-Hand (not shown)	90510141	1
21	Bearing, Spherical, Plain (upper only)	90045752	2
22	Shim, Bearing	90036305	4
	LSZ13/20 Kinpin Spindle Repair Manual (not shown)	XL-PS20054RM-en-US	1
	Never-Seez® (not shown)	XB-02967	1
	Grease, Premium Synthetic (not shown)	50844001	1

Generation 4, Kingpin Kit - 48100661



LSZ13 PARTS LIST MANUFACTURED AFTER FEB 2, 2017

ITEM	DESCRIPTION	PART NUMBER	QTY.
1	End Cap, Plated	90010068	2
2	Washer, Hard, Spindle, Thin	93600572	4
3	Bearing, Spherical, Plain	90045663	2
4	Gasket	90070004	2
5	Cap Screw, Hex 3/4-10 x 9-1/2 GR 8	93003743	2
6	Nut, Hex, Lock 3/4-10 GR C	93400494	2
7	Washer, Flat, Hardened 3/4	93600156	4
8	Nut, Hex, Lock 5/8"-18 GR C	93400491	10
9	Cap Screw, Hex 5/8"-18 x 2 GR 8	93003348	10
10	Washer, Flat 5/8" Hardened	93600555	20
11	Cap Screw, Hex Head 1/4"-20 x 1-1/4 GR 5	93002361	8
12	Washer, Lock 1/4" Split	XB-131	8
13	Bearing, Spherical, Upper	90045752	2
14	Kingpin	90038614	2
15	Kingpin, Cap	90026992	2
16	Gasket, Thunderdome	90045759	2
17	Fitting, Lube	XB-767	2
18	Retaining Ring	90045755	4
	NEVER-SEEZ (not shown)	XB-02967	1
	Grease, Premium, Synthetic (not shown)	50844001	1
	LSZ13 Repair Manual, Kingpin and Spindle (not shown)	XL-PS20054RM-en-US	1





From fifth wheel rebuild kits to suspension bushing repair kits, SAF-HOLLAND Original Parts are the same quality components used in the original component assembly.

SAF-HOLLAND Original Parts are tested and designed to provide maximum performance and durability. Will-fits, look-alikes or, worse yet, counterfeit parts will only limit the performance potential and could possibly void SAF-HOLLAND's warranty. Always be sure to spec SAF-HOLLAND Original Parts when servicing your SAF-HOLLAND product.

**SAF-HOLLAND USA • 888.396.6501 • Fax 800.356.3929**  
[www.safholland.us](http://www.safholland.us)

**SAF-HOLLAND CANADA • 519.537.3494 • Fax 800.565.7753**  
**WESTERN CANADA • 604.574.7491 • Fax 604.574.0244**  
[www.safholland.ca](http://www.safholland.ca)

**SAF-HOLLAND MEXICO • 55.55.5362.8743 • Fax 52.55.5362.8743**  
[www.safholland.com.mx](http://www.safholland.com.mx)

[info@safholland.com](mailto:info@safholland.com)