

SAF P89 PLUS Air Disc Brake Systems

Product Change Notice for P89 PLUS Air Disc Brake

SAF-HOLLAND® Has made a product change to the ABS Tone Ring attachment design on all SAF® CBX and ULX Series suspensions with P89 PLUS Air Disc Brakes

Effective October 2016

Product Change:

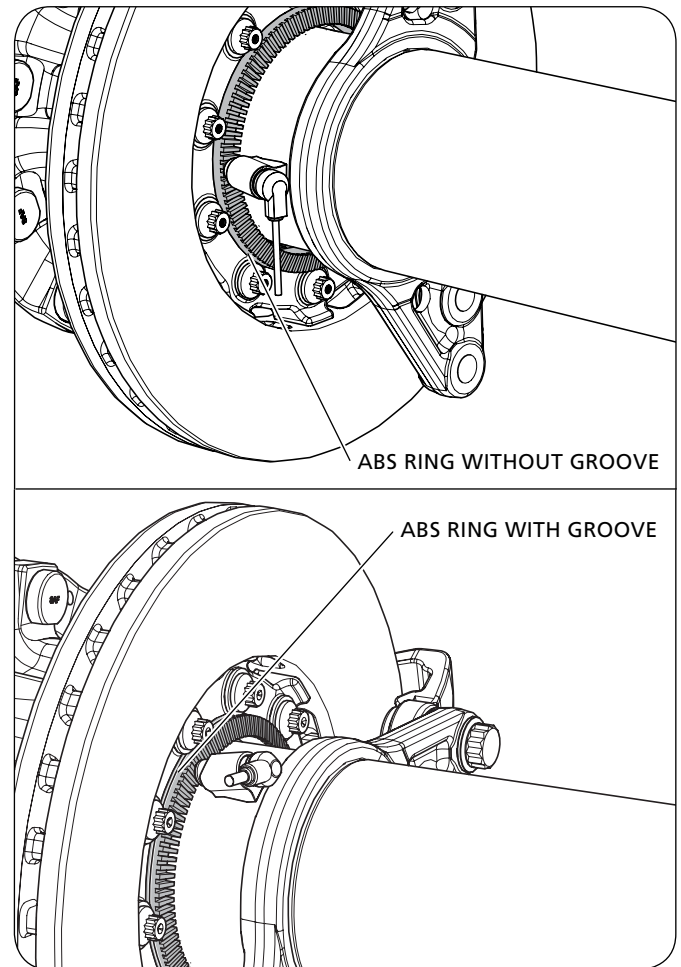
SAF-HOLLAND® announces a modification to the tone ring attachment design on all CBX and ULX series suspensions with **P89 PLUS** air disc brakes. Beginning October 2016, locking washers will be added under the head of the brake rotor fasteners. These washers will fit into a groove machined into the side of the tone ring and will provide additional retention force to the original press-fit tone ring design.

This change does not affect ABS functionality or initial ABS set-up parameters.

Important:

All SAF-HOLLAND® aftermarket rotors include ABS tone rings installed. Effective October 2016, all aftermarket rotors will be converted to the new tone ring design. Reference Service Bulletin XL-SA200305B-en-US and XL-SA200315B-en-US available on the SAF-HOLLAND® website, at www.safholland.com

Figure 1





From fifth wheel rebuild kits to suspension bushing repair kits, SAF-HOLLAND Original Parts are the same quality components used in the original component assembly.

SAF-HOLLAND Original Parts are tested and designed to provide maximum performance and durability. Will-fits, look-alikes or, worse yet, counterfeit parts will only limit the performance potential and could possibly void SAF-HOLLAND's warranty. Always be sure to spec SAF-HOLLAND Original Parts when servicing your SAF-HOLLAND product.

SAF-HOLLAND USA • 888.396.6501 • Fax 800.356.3929
www.safholland.us

SAF-HOLLAND CANADA • 519.537.3494 • Fax 800.565.7753
WESTERN CANADA • 604.574.7491 • Fax 604.574.0244
www.safholland.ca

SAF-HOLLAND MEXICO • 52.55.5362.8743 • Fax 52.55.5362.8743
www.safholland.com.mx

info@safholland.com