

## SAF P89 Air Disc Brake Hub Change with MTIS (PSI) Tire Inflation System

Effective: December 2, 2019

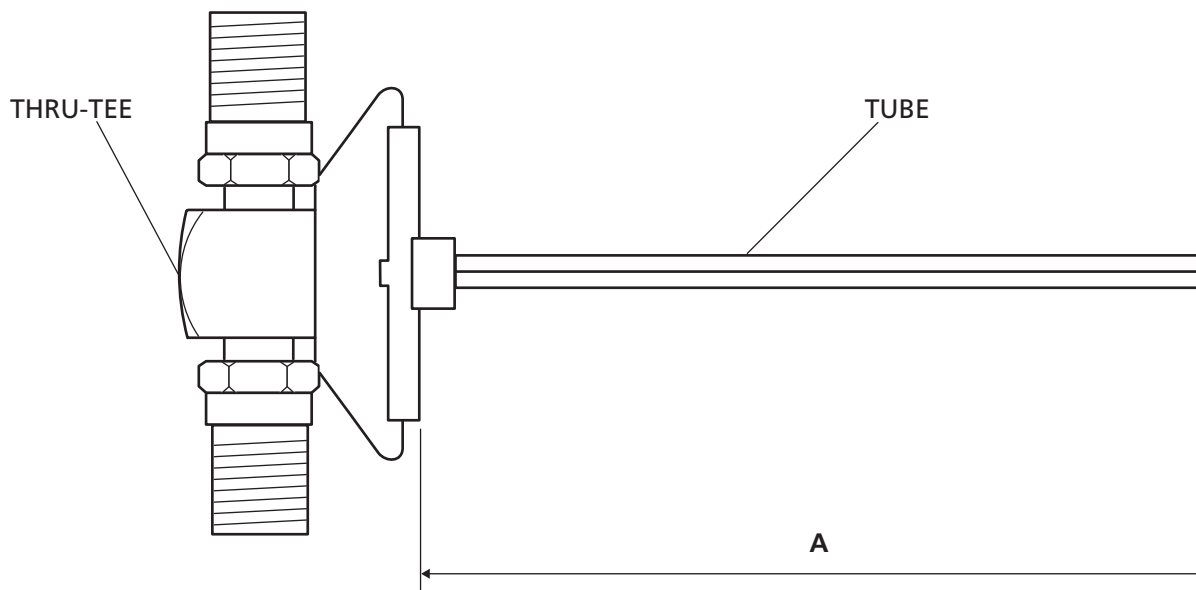
### Attention

The product change notice only applies to SAF-HOLLAND Customers utilizing our P89 air disc brake axle and also running MTIS (PSI) tire inflation systems. As part of a consolidation effort, the P89 hub supplied has been effectively lengthened per the information below:

- TP (parallel) length increase: +0.72"
- TN (taper) length increase: +0.59"

This length increase will require the selection of a longer "Thru-Tee" utilized for those customers ordering an MTIS (PSI) system per the information below:

- Partial Kit: **H2712-22-5** (Dimension A = 5")
- Full Kit: **H1975-22-5** (Dimension A = 5")



**NOTE:** SAF-HOLLAND provides a "prepped" axle for MTIS (PSI) installation; however, the "Thru-Tee" fittings and other system hardware are ordered separately by the trailer OEM.



From fifth wheel rebuild kits to suspension bushing repair kits, SAF-HOLLAND Original Parts are the same quality components used in the original component assembly.

SAF-HOLLAND Original Parts are tested and designed to provide maximum performance and durability. Will-fits, look-alikes or, worse yet, counterfeit parts will only limit the performance potential and could possibly void the SAF-HOLLAND warranty. Always be sure to spec SAF-HOLLAND Original Parts when servicing your SAF-HOLLAND product.

**SAF-HOLLAND USA • 800.876.3929 • Fax 800.356.3929**  
**[www.safholland.us](http://www.safholland.us)**

**SAF-HOLLAND CANADA • 519.537.3494 • Fax 800.565.7753**  
**WESTERN CANADA • 604.574.7491 • Fax 604.574.0244**  
**[www.safholland.ca](http://www.safholland.ca)**

**SAF-HOLLAND MEXICO • 52.55.5362.8743 • Fax 52.55.5362.8743**  
**[www.safholland.com.mx](http://www.safholland.com.mx)**

**[info@safholland.com](mailto:info@safholland.com)**