

## SAF® Dressed Drum Brake Axles on CBX and ULX Series Trailer Suspension Systems

### Product Change Notice: Consolidation and Standardization to the New "SC5" Dress Drum Brake Wheel End Package

Effective: April 2019

#### Attention:

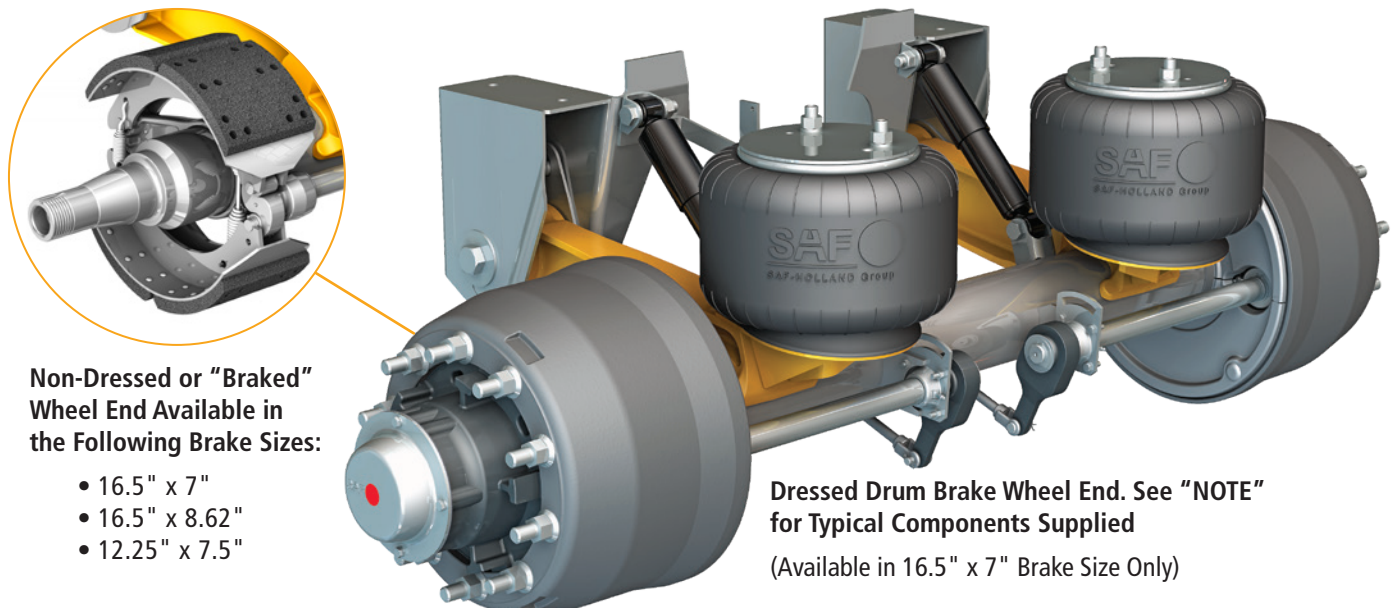
SAF-HOLLAND® is implementing a product change to SAF® branded dressed drum brake wheel end package offerings on CBX and ULX models of trailer suspension/axle systems. Specifically, the legacy options of dressed drum brake wheel end packages will be consolidated into one group of packages under the "SC5" product name. The SC5 package standardizes on the 16.5" x 7" brake size and eliminates the dressed drum brake offerings for 16.5" x 8.62" and 12.25" x 7.5" brakes. The SC5 package will offer a 5 year parts and labor warranty on all dressed drum brakes

The SC5 Dressed Drum Brake packages will cover the following variations:

- Parallel or Taper Spindles
- Hubs and Drums - Standard or lightweight (ADI hub and centrifuse drum)
- Lubrication - Synthetic oil or synthetic semi-fluid grease
- Short or long studs
- Optional SAF TIRE PILOT PLUS™ tire pressure management system or MTIS (PSI) axle prep

**NOTE:** The SAF SC5 wheel end package includes: hubs/drums, bearings, lubrication, seals, hub caps, brake actuators, slack adjusters, and spindle nuts.

Detailed information related to the feature and benefits of the SC5 wheel end packages will be available from your SAF-HOLLAND account representative as we phase out availability of previous packages and move OEM customers over to the new SC5 wheel end package.



**Non-Dressed or "Braked"  
Wheel End Available in  
the Following Brake Sizes:**

- 16.5" x 7"
- 16.5" x 8.62"
- 12.25" x 7.5"

**Dressed Drum Brake Wheel End. See "NOTE"  
for Typical Components Supplied  
(Available in 16.5" x 7" Brake Size Only)**