

Parts Manual

DH Series Liftgates



Contents	Page
Introduction	3
Warranty.....	3
Section 1 – Model and Serial Number	4
Section 2 – Decal Part Numbers and Installation	5
Section 3 – DH55A, DH66A, DH45B and DH55B Liftgate Assembly and Parts Lists	6
Section 4 – DH55A, DH66A, DH45B and DH55B Roadside Column Assembly and Parts Lists.....	10
Section 5 – DH55A, DH66A, DH45B and DH55B Curbside Column Assembly and Parts Lists.....	12
Section 6 – DH45, DH55 and DH66 Assembly and Parts Lists	16
Section 7 – DH45, DH55 and DH66 Roadside Column Assembly and Parts List.....	18
Section 8 – DH45, DH55 and DH66 Curbside Column Assembly and Parts List.....	20
Section 9 – DH45B Pump Box Assembly	22
Section 10 – DH55B Pump Box Assembly	23
Section 11 – DH55A and DH66A Pump Box Assembly	24

Contents	Page
Section 12 – DH45 Pump Box Assembly.....	25
Section 13 – DH55 and DH66 Pump Box Assembly	26
Section 14 – DH45B Single Motor Power-Pack.....	27
Section 15 – DH55B Dual Motor Power-Pack	28
Section 16 – DH55A and DH66A Dual Motor Power-Pack....	29
Section 17 – DH55 and DH66 Dual Motor Power-Pack Built Prior to September 1, 2011	30
Section 18 – DH55 and DH66 Dual Motor Power-Pack Built After September 1, 2011	31
Section 19 – DH55 and DH66 Dual Motor Power-Pack Haldex Replacement	32
Section 20 – DH45 Single Motor Power-Pack	33
Section 21 – Electrical Wiring	34
Section 22 – Master Slave Hydraulic Hose Routing	35
Section 23 – Flow Dividing Hydraulic Hose Routing	36
Section 24 – DH45 Hydraulic Hose Routing	37
Section 25 – DH55 and DH66 Hydraulic Hose Routing	38
Section 26 – Accessory Kits	39

Introduction

This manual provides you with the information necessary for ordering the correct replacement parts for the SAF-HOLLAND DH Series Liftgate.

NOTE: For liftgate components replacement, contact SAF-HOLLAND Customer Service at:
U.S. 888-396-6501 Canada 800-503-9847

Warranty

Refer to the complete warranty for the country in which the product will be used. A copy of the warranty certificate is included with the product as well as on the SAF-HOLLAND website (www.safholland.us and www.safholland.ca). It may also be ordered directly from SAF-HOLLAND; the address is shown on the back cover.

Notes, Cautions, and Warnings

You must read and understand all of the safety procedures presented in this manual before operating or starting any work on the liftgate.

NOTE: In the United States, workshop safety requirements are defined by federal and/or state Occupational Safety and Health Act. Equivalent laws may exist in other countries. This manual is written based on the assumption that OSHA or other applicable employee safety regulations are followed by the location where work is performed.

Proper tools must be used to perform the maintenance and repair procedures described in this manual. Many of these procedures may require special tools.

IMPORTANT: Read this manual before using this product. Keep this manual in a safe location for future reference.

WARNING Failure to follow the instructions and safety precautions in this manual can result in death or serious injury.

Throughout this manual, you will notice the terms “NOTE,” “IMPORTANT,” “CAUTION,” and “WARNING” followed by useful product information. So that you may better understand the manual, those terms are as follows:

NOTE: Includes additional information to enable accurate and easy performance of procedures.

IMPORTANT: Includes additional information that if not followed could lead to hindered product performance.

CAUTION Used without the safety alert symbol, indicates a potentially hazardous situation which, if not avoided, could result in property damage.

CAUTION Indicates a potentially hazardous situation which, if not avoided, could result in minor or moderate injury.

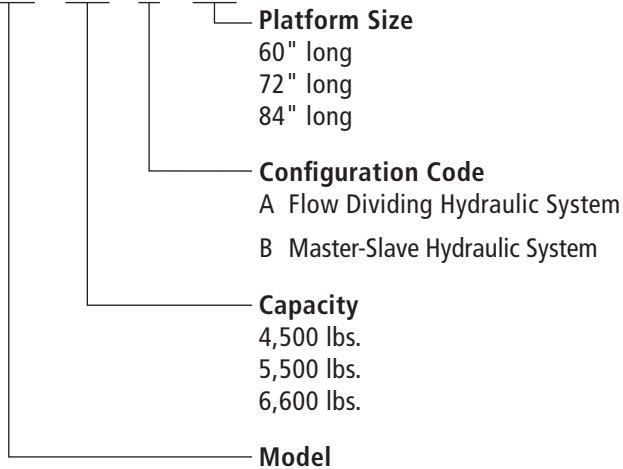
WARNING Indicates a potentially hazardous situation which, if not avoided, could result in death or serious injury.

1. Liftgate Model and Serial Number Location

Each SAF-HOLLAND liftgate has a stamped metal tag that identifies the liftgate model and serial number (**Figure 1**). This tag is attached to the side of the curbside column (**Figure 2**). In order to properly identify your Truck Master liftgate and its components when communicating with SAF-HOLLAND or your dealer, please record the model and serial numbers below and refer to them when ordering replacement parts.

Model Number

DH 55 B 84



Serial Number

92 11 312 0123

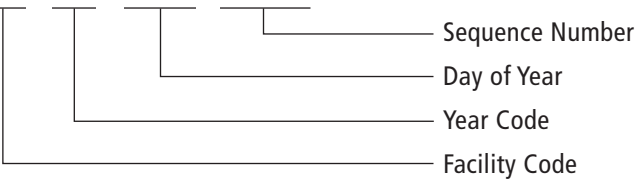


Figure 1

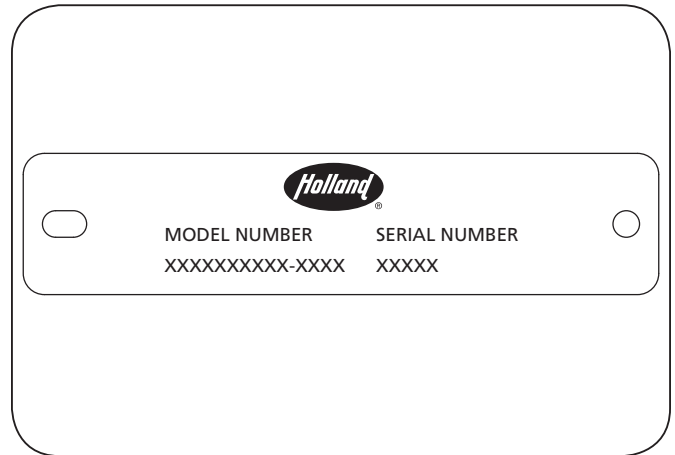
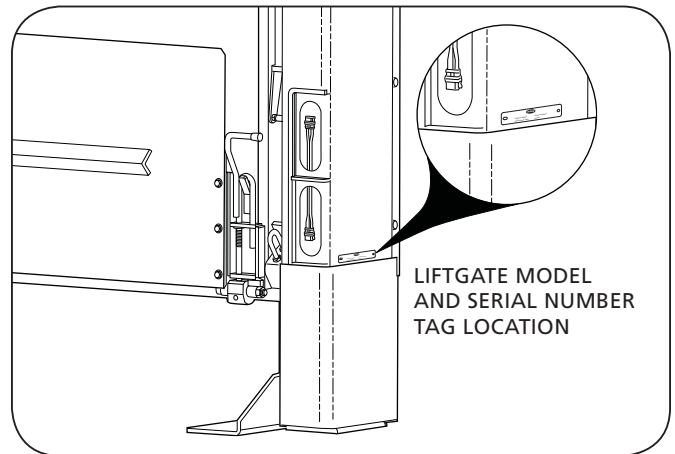


Figure 2



Equipment Model No.: _____

Serial No.: _____

Purchase Date: _____

2. Decal Part Numbers and Installation

IMPORTANT: All decals must be installed, maintained, and kept visible and legible.

Prior to putting the vehicle into service, install all supplied decals listed in the table below (**Figures 3, 4 and 5**).

DECAL	QTY.	ENGLISH	FRENCH	DESCRIPTION
A	2	XA-58090	XA-58091	Max. Capacity 4,500
	2	XA-58099	XA-58100	Max. Capacity 5,500
	2	XB-57502	XB-57503	Max. Capacity 6,600
B	1	XA-58401	XA-58402	Instructional
C	1	XA-58403	XA-58404	WARNING, DH Series
D	2	XB-50344	XB-50349	CAUTION, Always Stand Clear
E	2	XB-51170	XB-57067	DANGER, Pinch Point
F	3	XB-54995	XB-64388	WARNING, High Pressure
G	1	XB-62815	XB-62878	WARNING, Riding Platform

Figure 3

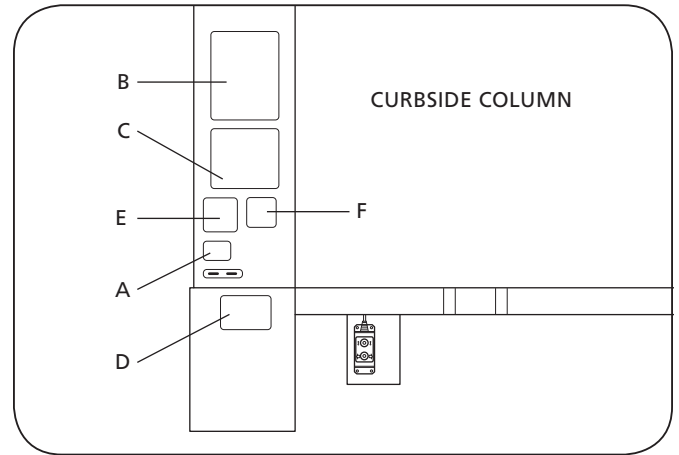


Figure 4

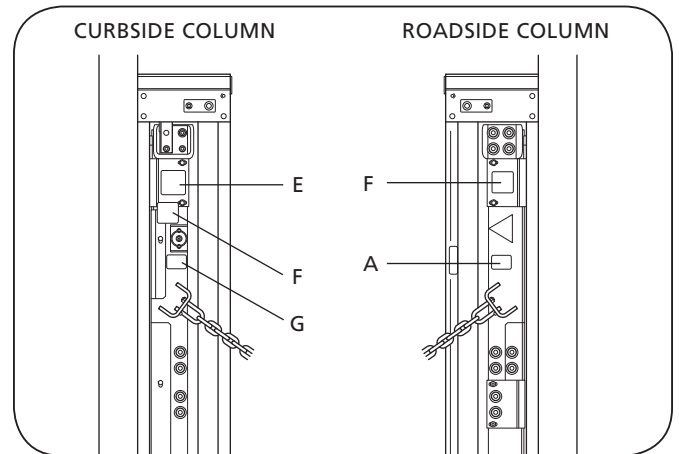
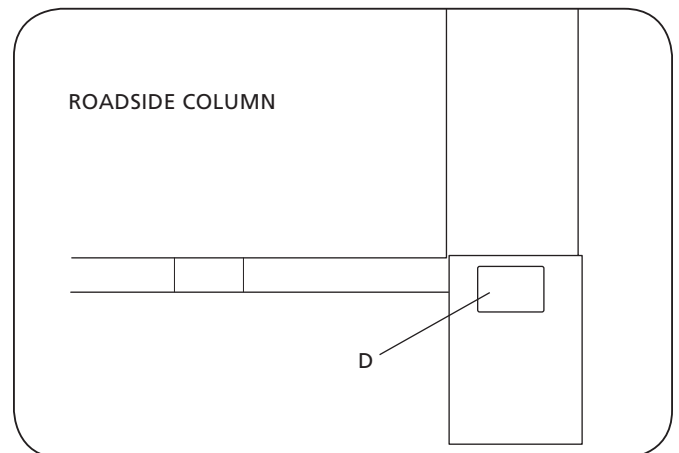
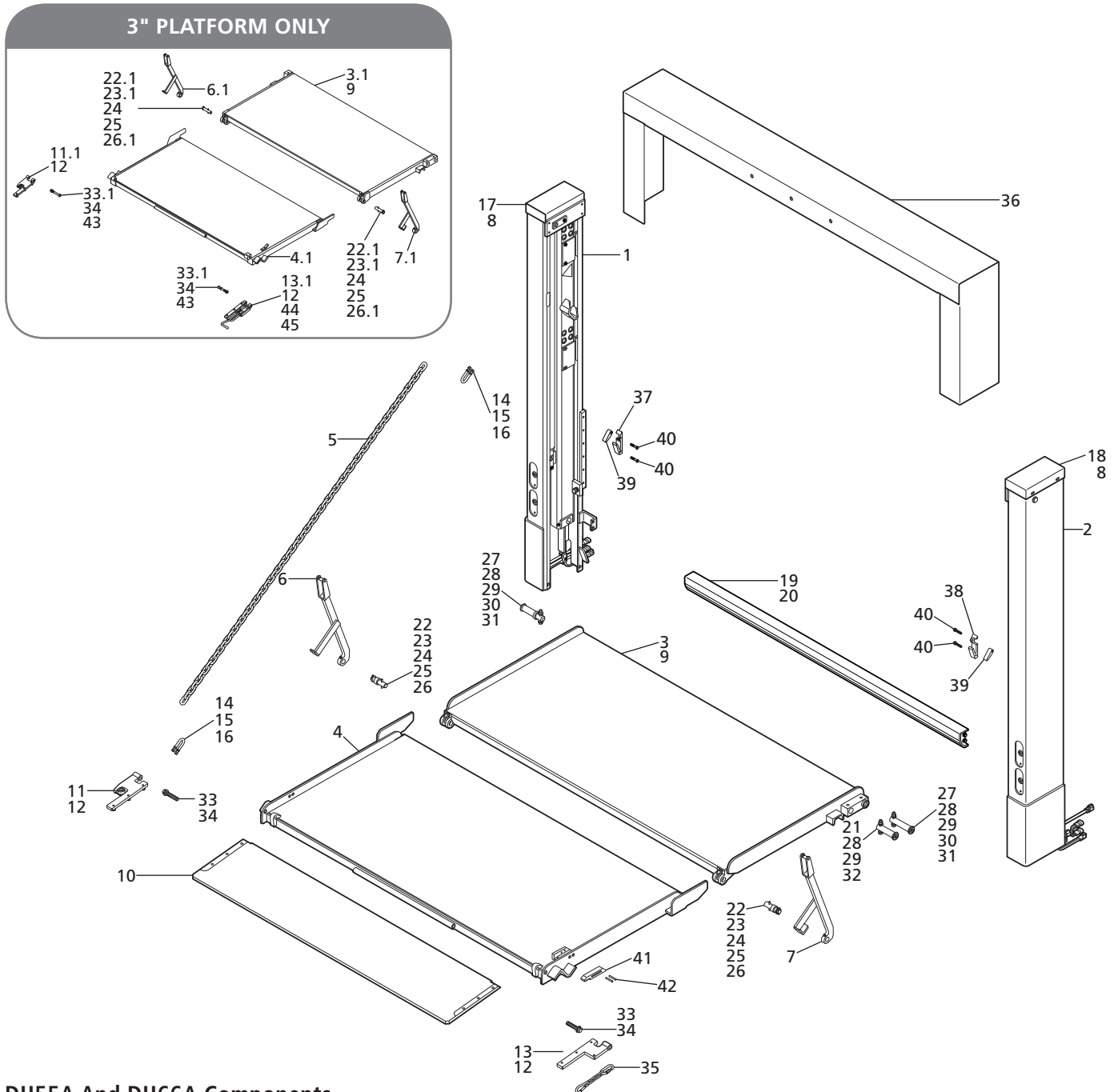


Figure 5



3. DH55A, DH66A, DH45B and DH55B Liftgate Assembly and Parts Lists



DH55A And DH66A Components

ITEM	DESCRIPTION	DH55A	QTY	DH66A	QTY
1	Roadside Column, 84" x 102" Wide*†	XA-59319-25	1	XA-59319-25	1
	Roadside Column, 72" x 102" Wide*†	XA-59319-25	1	XA-59319-25	1
	Roadside Column, 60" x 102" Wide*†	XA-59319-25	1	XA-59319-25	1
2	Curbside Column, 84" x 102" Wide*†	XA-59320-25	1	XA-59320-25	1
	Curbside Column, 72" x 102" Wide*†	XA-59320-25	1	XA-59320-25	1
	Curbside Column, 60" x 102" Wide*†	XA-59320-25	1	XA-59320-25	1

* Black Armor coating shown. Contact SAF-HOLLAND for galvanized part numbers.
 † 102" wide part numbers shown. Contact SAF-HOLLAND for part numbers for 96" wide models.



DH55A and DH66A Components, continued

ITEM	DESCRIPTION	DH55A	QTY	DH66A	QTY
3	Inner Platform, 84" x 102" Wide*†	XA-62985-01	1	XA-62985-05	1
	Inner Platform, 72" x 102" Wide*†	XA-62985-09	1	XA-62985-05	1
	Inner Platform, 60" x 102" Wide*†	XA-62985-25	1	XA-62985-05	1
4	Outer Platform, 84" x 102" Wide*†	XA-62986-01	1	XA-62986-05	1
	Outer Platform, 72" x 102" Wide*†	XA-62986-09	1	XA-62986-05	1
	Outer Platform, 60" x 102" Wide*†	XA-62986-25	1	XA-62986-05	1
5	Chain, 84" x 102" Wide	XA-59522-01	2	XA-59522-01	2
	Chain, 72" x 102" Wide	XA-59522-02	2	XA-59522-01	2
	Chain, 60" x 102" Wide	XA-59522-06	2	XA-59522-06	2
6	Roadside Chain Stanchion 84" Platform	2112360003010	1	2112360003010	1
	Roadside Chain Stanchion 72" Platform	2112360003010	1	2112360003010	1
	Roadside Chain Stanchion 60" Platform	2112360003030	1	2112360003030	1
7	Curbside Chain Stanchion 84" Platform	2112360003020	1	2112360003020	1
	Curbside Chain Stanchion 72" Platform	2112360003020	1	2112360003020	1
	Curbside Chain Stanchion 60" Platform	2112360003040	1	2112360003040	1
8	Column Cap Mounting Bolts, Plated	XF-08-038C5-100P	4	XF-08-038C5-100P	4
9	Rubber Bumper	XB-54206	2	XB-54206	2
10	Ramp, Aluminum, 24" x 102"†	XA-58617-01	1	XA-58617-01	1
	Ramp, Aluminum, 16" x 102"	XA-58489-01	1	XA-58489-01	1
11	Roadside Ramp Hinge*	2112360002670	1	2112360002670	1
12	Ramp/Hinge Attaching Screws	XF-08-038C5-100P	6	XF-08-038C5-100P	6
13	Curbside Ramp Hinge*	2112260002660	1	2112260002660	1
14	Chain, U-bolt, Short	XB-57244	4	XB-57244	4
15	Chain, Jam Nut, Plated	XF-32-043C2-P	8	XF-32-043C2-P	8
16	Chain, Lock Nut, Plated	XF-31-043CC-P	8	XF-31-043CC-P	8
17	Roadside Column Cap*	XA-59499-01	1	XA-59499-01	1
18	Curbside Column Cap*	XA-59499-02	1	XA-59499-02	1
19	Deck Extension 102" Wide†	XA-62906-01	1	XA-62906-01	1
20	Deck Extension Mounting Bolt - Plated	XF-08-050C5-125P	8	XF-08-050C5-125P	8
21	Screw Button HD, 1/2" -13, 3.00" LG - Plated	XF-07-050C5-300P	1	XF-07-050C5-300P	1
22	Journal Bearing, 1" I.D. x 1/2" Long	2022100000030	4	2022100000030	4
23	Platform Hinge Pin Roll Pin, Plated	XB-21-S-250-2250P	2	XB-21-S-250-2250P	2
24	Platform Hinge Pin Roll Pin, Plated	XB-21-S-250-1500P	2	XB-21-S-250-1500P	2
25	Platform Hinge Pin Flatwasher, Plated	XB-58525	4	XB-58525	4
26	Platform Hinge Pin	2112100002970	2	2112100002970	2
27	Platform Pin Bolt, Plated	XF-08-050C5-300P	2	XF-08-050C5-300P	2
28	Platform Pin Lock Nut, Plated	XF-33-050C5-P	3	XF-33-050C5-P	3
29	Platform Pin Hole Plug	XB-58806	3	XB-58806	3
30	Platform Pin	XA-62973	2	XA-62973	2
31	Platform Pin Collar, 3/8" Spacer	2112100000010	2	2112100000010	2
32	Open/Close Cylinder Pin	XA-59708	1	XA-59708	1
33	Ramp Hinge Mounting Bolt, Plated	XF-08-062C8-350P	2	XF-08-062C8-350P	2
34	Ramp Hinge Flatwasher	XB-58642	2	XB-58642	2
35	Ramp, Chain Assembly	2112300003000	1	2112300003000	1
36	Header, 102" Wide*†	2112260002100	1	2112260002100	1
37	Roadside Latch, Plated	2112100001850	1	2112100001850	1
38	Curbside Latch, Plated	2112100001860	1	2112100001860	1
39	Flap	XA-62662	2	XA-62662	2
40	Latch, 3/8" Hex Head Cap Screw, Plated	XF-01-038C5-175P	4	XF-01-038C5-175P	4
41	Ramp, Sliding Lock, Plated	2112100002620	1	2112100002620	1
42	Ramp, Sliding Lock Roll Pin, Plated	XB-21-S-250-2000P	2	XB-21-S-250-2000P	2

* Black Armor coating shown. Contact SAF-HOLLAND for galvanized part numbers.
† 102" wide part numbers shown. Contact SAF-HOLLAND for part numbers for 96" wide models.

DH55A and DH66A, 3" Platform Components

ITEM	DESCRIPTION	DH55A	QTY	DH66A	QTY
3.1	Inner Platform, 84" x 102" Wide*†	XA-59721-01	1	XA-59721-05	1
4.1	Outer Platform, 84" x 102" Wide*†	XA-59522-01	1	XA-59722-05	1
6.1	Roadside Chain Stanchion 84" Platform	XA-59492-01	1	XA-59492-01	1
7.1	Curbside Chain Stanchion 84" Platform	XA-59493-01	1	XA-59493-01	1
11.1	Roadside Ramp Hinge*	XA-58757	1	XA-58757	1
13.1	Curbside Ramp Hinge*	XA-59746-01	1	XA-59746-01	1
22.1	Journal Bearing, 1" I.D. x 3/4" Long	XB-59858	4	XB-59858	4
23.1	Platform Hinge Pin Roll Pin, Plated	XB-21-S-250-2500P	2	XB-21-S-250-2500P	2
26.1	Platform Hinge Pin	2112100001710	2	2112100001710	2
33.1	Ramp, Hinge Mounting Bolt Plated	XF-04-062C8-500P	2	XF-04-062C8-500P	2
43	Ramp, Hinge Lock Nut, Plated	XF-31-062C8-P	2	XF-31-062C8-P	2
44	Ramp, Hinge Handle	XA-59741	1	XA-59741	1
45	Ramp, Hinge Handle Spring	XA-58364	1	XA-58364	1

DH45B and DH55B Components

ITEM	DESCRIPTION	DH45B	QTY	DH55B	QTY
1	Roadside Column, 84" x 102" Wide*†	XA-59319-01	1	XA-59319-02	1
	Roadside Column, 72" x 102" Wide*†	XA-59319-01	1	XA-59319-02	1
	Roadside Column, 60" x 102" Wide*†	XA-59319-01	1	XA-59319-02	1
2	Curbside Column, 84" x 102" Wide*†	XA-59320-01	1	XA-59320-02	1
	Curbside Column, 72" x 102" Wide*†	XA-59320-01	1	XA-59320-02	1
	Curbside Column, 60" x 102" Wide*†	XA-59320-01	1	XA-59320-02	1
3	Inner Platform, 84" x 102" Wide*†	XA-62985-01	1	XA-62985-01	1
	Inner Platform, 72" x 102" Wide*†	XA-62985-09	1	XA-62985-09	1
	Inner Platform, 60" x 102" wide*†	XA-62985-25	1	XA-62985-25	1
4	Outer Platform, 84" x 102" Wide*†	XA-62986-01	1	XA-62986-01	1
	Outer Platform, 72" x 102" Wide*†	XA-62986-09	1	XA-62986-09	1
	Outer Platform, 60" x 102" Wide*†	XA-62986-25	1	XA-62986-25	1
5	Chain, 84" x 102" Wide	XA-59522-01	2	XA-59522-01	2
	Chain, 72" x 102" Wide	XA-59522-02	2	XA-59522-02	2
	Chain, 60" x 102" Wide	XA-59522-06	2	XA-59522-06	2
6	Roadside Chain Stanchion 84" Platform	2112360003010	1	2112360003010	1
	Roadside Chain Stanchion 72" Platform	2112360003010	1	2112360003010	1
	Roadside Chain Stanchion 60" Platform	2112360003030	1	2112360003030	1
7	Curbside Chain Stanchion 84" Platform	2112360003020	1	2112360003020	1
	Curbside Chain Stanchion 72" Platform	2112360003020	1	2112360003020	1
	Curbside Chain Stanchion 60" Platform	2112360003040	1	2112360003040	1
8	Column Cap Mounting Bolts, Plated	XF-08-038C5-100P	4	XF-08-038C5-100P	4
9	Rubber Bumper	XB-54206	2	XB-54206	2
10	Ramp, Aluminum, 24" x 102"†	XA-58617-01	1	XA-58617-01	1
	Ramp, Aluminum, 16" x 102"†	XA-58489-01	1	XA-58489-01	1
11	Roadside Ramp Hinge*	2112360002670	1	2112360002670	1
12	Ramp/Hinge Attaching Screws	XF-08-038C5-100P	6	XF-08-038C5-100P	6
13	Curb-side Ramp Hinge*	2112260002660	1	2112260002660	1
14	Chain, U-bolt, Short	XB-57244	4	XB-57244	4
15	Chain, Jam Nut, Plated	XF-32-043C2-P	8	XF-32-043C2-P	8
16	Chain, Lock Nut, Plated	XF-31-043CC-P	8	XF-31-043CC-P	8
17	Roadside Column Cap*	XA-59499-01	1	XA-59499-01	1

* Black Armor coating shown. Contact SAF-HOLLAND for galvanized part numbers.

† 102" wide part numbers shown. Contact SAF-HOLLAND for part numbers for 96" wide models.



DH45B and DH55B Components, continued

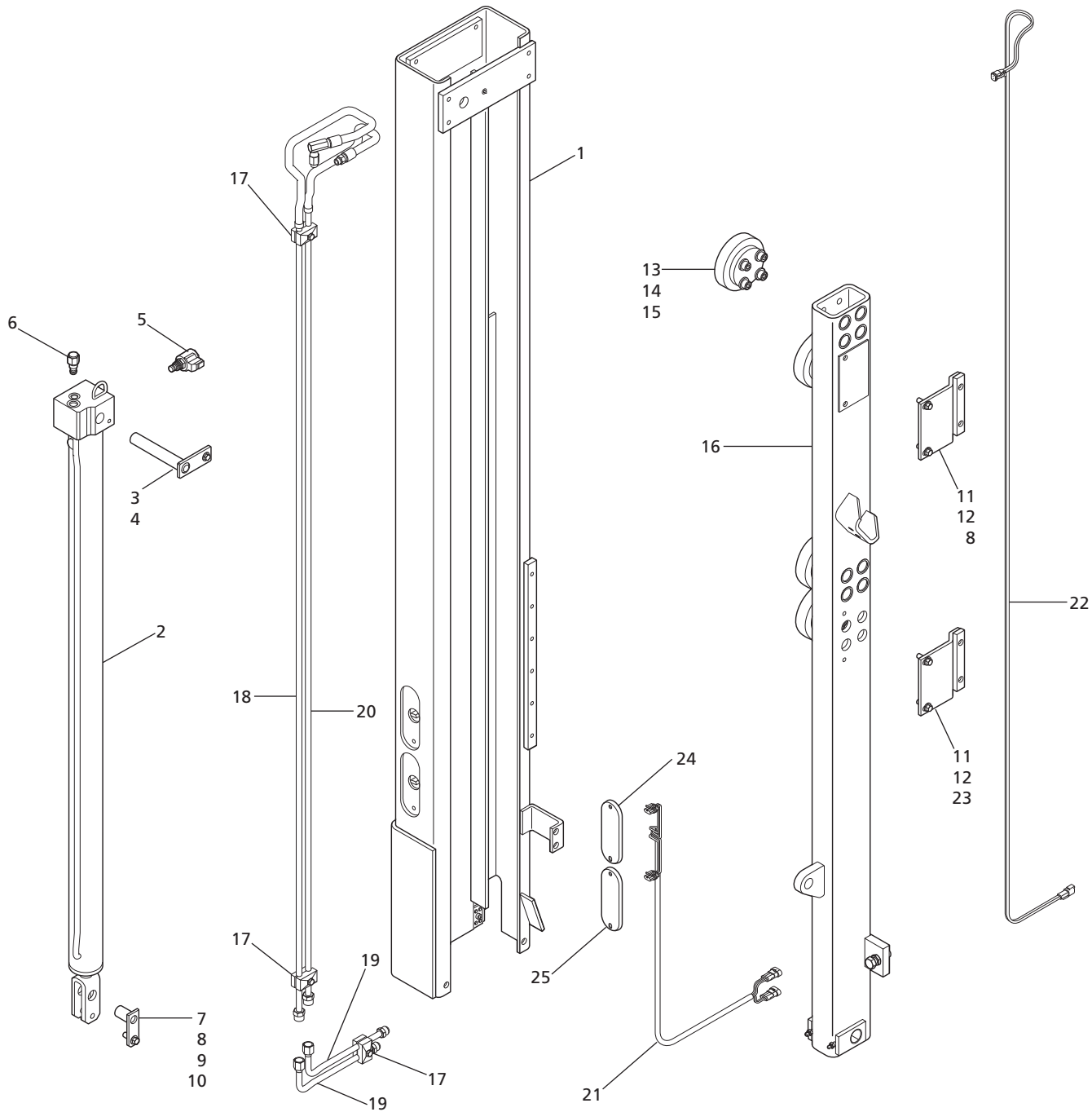
ITEM	DESCRIPTION	DH45B	QTY	DH55B	QTY
18	Curbside Column Cap*	XA-59499-02	1	XA-59499-02	1
19	Deck Extension 102" Wide†	XA-62906-01	1	XA-62906-01	1
20	Deck Extension Mounting Bolt, Plated	XF-08-050C5-125P	8	XF-08-050C5-125P	8
21	Screw Button HD, 1/2-13, 3.00" LG, Plated	XF-07-050C5-300P	1	XF-07-050C5-300P	1
22	Journal Bearing, 1" I.D. x 1/2" Long	2022100000030	4	2022100000030	4
23	Platform Hinge Pin Roll Pin, Plated	XB-21-S-250-2250P	2	XB-21-S-250-2250P	2
24	Platform Hinge Pin Roll Pin, Plated	XB-21-S-250-1500P	2	XB-21-S-250-1500P	2
25	Platform Hinge Pin Flat Washer, Plated	XB-58525	4	XB-58525	4
26	Platform Hinge Pin	2112100002970	2	2112100002970	2
27	Platform Pin Bolt, Plated	XF-08-050C5-300P	2	XF-08-050C5-300P	2
28	Platform Pin Lock Nut, Plated	XF-33-050C5-P	3	XF-33-050C5-P	3
29	Platform Pin Hole Plug	XB-58806	3	XB-58806	3
30	Platform Pin	XA-62973	2	XA-62973	2
31	Platform Pin Collar, 3/8" Spacer	2112100000010	2	2112100000010	2
32	Open/Close Cylinder Pin	XA-59708	1	XA-59708	1
33	Ramp Hinge Mounting Bolt, Plated	XF-08-062C8-350P	2	XF-08-062C8-350P	2
34	Ramp Hinge Flat Washer	XB-58642	2	XB-58642	2
35	Ramp, Chain Assembly	2112300003000	1	2112300003000	1
36	Header, 102" Wide*†	2112260002100	1	2112260002100	1
37	Roadside Latch, Plated	2112100001850	1	2112100001850	1
38	Curbside Latch, Plated	2112100001860	1	2112100001860	1
39	Flap	XA-62662	2	XA-62662	2
40	Latch, 3/8" Hex Head Cap Screw, Plated	XF-01-038C5-175P	4	XF-01-038C5-175P	4
41	Ramp, Sliding Lock, Plated	2112100002620	1	2112100002620	1
42	Ramp, Sliding Lock Roll Pin, Plated	XB-21-S-250-2000P	2	XB-21-S-250-2000P	2

DH45B and DH55B, 3" Platform Components

ITEM	DESCRIPTION	DH45B	QTY	DH55B	QTY
3.1	Inner Platform, 84" x 102" Wide*†	XA-59721-09	1	XA-59721-01	1
4.1	Outer Platform, 84" x 102" Wide*†	XA-59522-01	1	XA-59522-01	1
6.1	Roadside Chain Stanchion 84" Platform	XA-59492-01	1	XA-59492-01	1
7.1	Curbside Chain Stanchion 84" Platform	XA-59493-01	1	XA-59493-01	1
11.1	Roadside Ramp Hinge*	XA-58757	1	XA-58757	1
13.1	Curbside Ramp Hinge*	XA-59746-01	1	XA-59746-01	1
22.1	Journal Bearing, 1" I.D. x 3/4" Long	XB-59858	4	XB-59858	4
23.1	Platform Hinge Pin Roll Pin, Plated	XB-21-S-250-2500P	2	XB-21-S-250-2500P	2
26.1	Platform Hinge Pin	2112100001710	2	2112100001710	2
33.1	Ramp Hinge Mounting Bolt, Plated	XF-04-062C8-500P	2	XF-04-062C8-500P	2
43	Ramp Hinge Lock Nut, Plated	XF-31-062C8-P	2	XF-31-062C8-P	2
44	Ramp, Hinge Handle	XA-59741	1	XA-59741	1
45	Ramp, Hinge Handle Spring	XA-58364	1	XA-58364	1

* Black Armor coating shown. Contact SAF-HOLLAND for galvanized part numbers.
 † 102" wide part numbers shown. Contact SAF-HOLLAND for part numbers for 96" wide models.

4. DH55A, DH66A, DH45B and DH55B Roadside Column Assembly and Parts Lists



DH55A and DH66A Roadside Components

ITEM	DESCRIPTION	DH55A	QTY	DH66A	QTY
1	Roadside Column, 84" Platform*	XA-62903-01	1	XA-62903-01	1
	Roadside Column, 72" Platform*	XA-62903-01	1	XA-62903-01	1
	Roadside Column, 60" Platform*	XA-62903-01	1	XA-62903-01	1
2	Lift Cylinder	XA-59697	1	XA-59697	1
3	Lift Cylinder Pin, Plated	XA-59876	1	XA-59876	1
4	Lift Cylinder Pin, 3/8" Hex Head Cap Screw	XF-08-038C5-075P	1	XF-08-038C5-075P	1

* Black Armor coating shown. Contact SAF-HOLLAND for galvanized part numbers.



DH55A and DH66A Roadside Components, continued

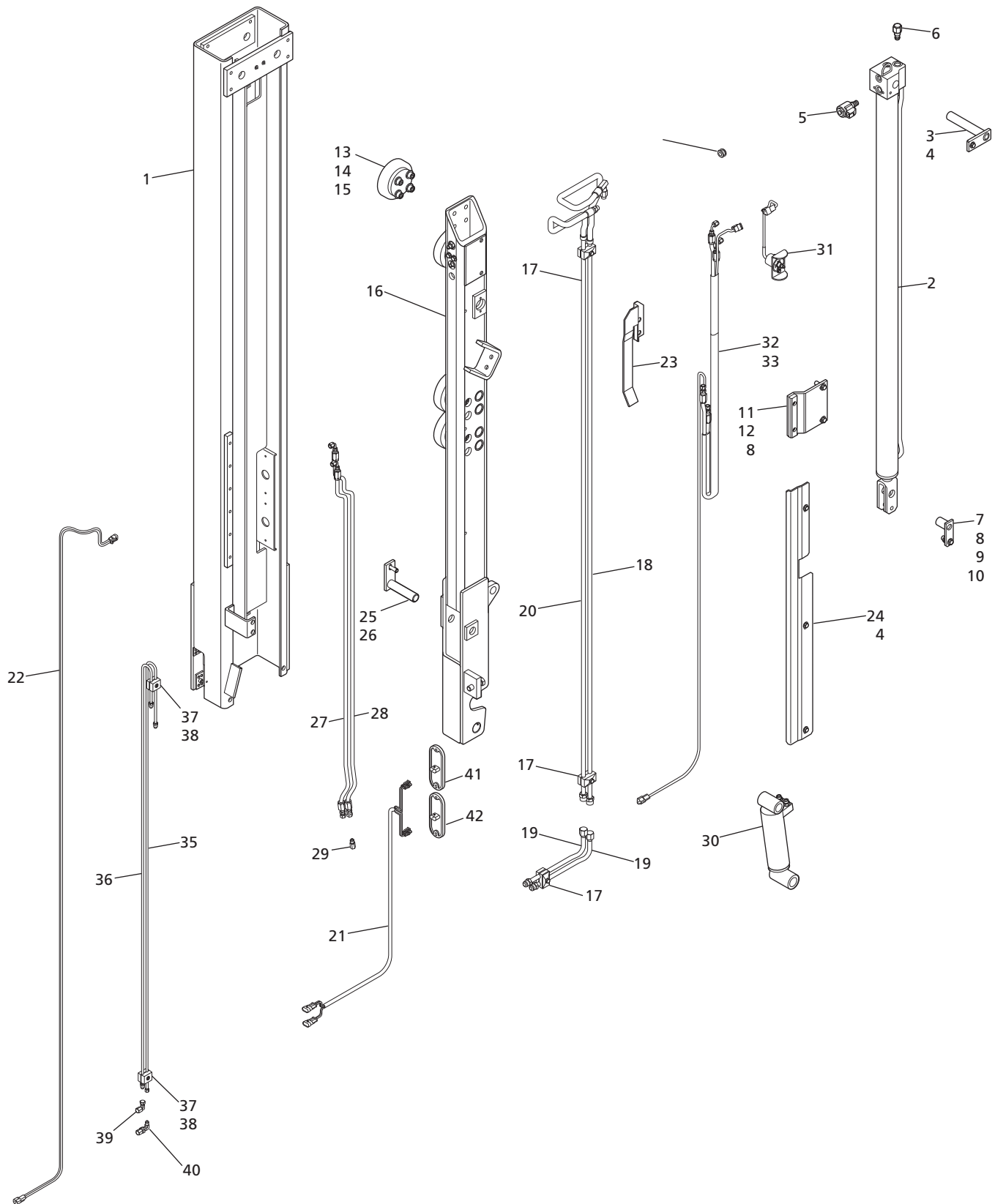
ITEM	DESCRIPTION	DH55A	QTY	DH66A	QTY
5	Solenoid Valve With Coil	XB-58027	1	XB-58027	1
6	Pressure Compensated Flow Control Valve, 1.5 GPM	XB-59698-15	1	XB-59698-15	1
7	Lift Cylinder Pin, Plated	XA-58557	1	XA-58557	1
8	3/8" Hex Head Cap Screw, Plated	XF-08-038C5-125P	3	XF-08-038C5-125P	3
9	3/8" Lock Nut, Plated	XB-338	1	XB-338	1
10	3/8" Washer, Plated	XB-1108	1	XB-1108	1
11	Mounting Bracket and Wear Pad Assembly	XA-59329	2	XA-59329	2
12	Wear Pad Shim	XA-59311	2	XA-59311	2
13	Roller Assembly	XA-57940	4	XA-57940	4
14	Roller, 1/2" Socket Head Cap Screw, Plated	XF-04-050C8-100P	16	XF-04-050C8-100P	16
15	Roller, 1/2" Flat Washer, Plated	XF-41-050-8P	16	XF-41-050-8P	16
16	Runner Assembly, Roadside	XA-59317-02	1	XA-59317-02	1
17	1/2" Hydraulic Tube Clamp	XB-58273	3	XB-58273	3
18	Hydraulic Tube (low pressure)	XA-59971	1	XA-59971	1
19	Tube Hydraulic 90°	XA-58123	2	XA-58123	2
20	Hydraulic Tube (high pressure)	XA-59970	1	XA-59970	1
21	LED Light Harness	2026100000020	1	2026100000020	1
22	Cylinder Solenoid Cable Assembly	XA-58121	1	XA-58121	1
23	3/8" Button Head Screw, Plated	XF-07-038C5-125P	2	XF-07-038C5-125P	2
24	Light, Red Oval, INNOTEK, LED	XB-59983	1	XB-59983	1
25	Light, White Oval, INNOTEK, LED	XB-59984	1	XB-59984	1

DH45B and DH55B Roadside Components

ITEM	DESCRIPTION	DH45B	QTY	DH55B	QTY
1	Roadside Column, 84" Platform*	XA-62903-01	1	XA-62903-01	1
	Roadside Column, 72" Platform*	XA-62903-01	1	XA-62903-01	1
	Roadside Column, 60" Platform*	XA-62903-01	1	XA-62903-01	1
2	Lift Cylinder	XA-59250	1	XA-59250	1
3	Lift Cylinder Pin, Plated	XA-59876	1	XA-59876	1
4	Lift Cylinder Pin, 3/8" Hex Head Cap Screw	XF-08-038C5-075P	1	XF-08-038C5-075P	1
5	Solenoid Valve With Coil	XB-58027	1	XB-58027	1
6	Pressure Compensated Flow Control Valve	N/A	–	N/A	–
7	Lift Cylinder Pin, Plated	XA-58557	1	XA-58557	1
8	3/8" Hex Head Cap Screw, Plated	XF-08-038C5-125P	3	XF-08-038C5-125P	3
9	3/8" Lock Nut, Plated	XB-338	1	XB-338	1
10	3/8" Washer, Plated	XB-1108	1	XB-1108	1
11	Mounting Bracket and Wear Pad Assembly	XA-59329	2	XA-59329	2
12	Wear Pad Shim	XA-59311	2	XA-59311	2
13	Roller Assembly	XA-57940	2	XA-57940	4
14	Roller, 1/2" Socket Head Cap Screw, Plated	XF-04-050C8-100P	8	XF-04-050C8-100P	16
15	Roller, 1/2" Flat Washer, Plated	XF-41-050-8P	8	XF-41-050-8P	16
16	Runner Assembly, Roadside	XA-59317-01	1	XA-59317-02	1
17	1/2" Hydraulic Tube Clamp	XB-58273	3	XB-58273	3
18	Hydraulic Tube (low pressure)	XA-59971	1	XA-59971	1
19	Tube Hydraulic 90°	XA-58123	2	XA-58123	2
20	Hydraulic Tube (high pressure)	XA-59970	1	XA-59970	1
21	LED Light Harness	2026100000020	1	2026100000020	1
22	Cylinder Solenoid Cable Assembly	XA-58121	1	XA-58121	1
23	3/8" Button Head Screw - Plated	XF-07-038C5-125P	2	XF-07-038C5-125P	2
24	Light, Red Oval, INNOTEK, LED	XB-59983	1	XB-59983	1
25	Light, White Oval, INNOTEK, LED	XB-59984	1	XB-59984	1

* Black Armor coating shown. Contact SAF-HOLLAND for galvanized part numbers.

5. DH55A, DH66A, DH45B and DH55B Curbside Column Assembly and Parts Lists





DH55A and DH66A Curbside Components

ITEM	DESCRIPTION	DH55A	QTY	DH66A	QTY
1	Curbside Column, 84" Platform*	XA-62904-01	1	XA-62904-01	1
	Curbside Column, 72" Platform*	XA-62904-01	1	XA-62904-01	1
	Curbside Column, 56" Platform*	XA-62904-01	1	XA-62904-01	1
2	Lift Cylinder	XA-59697	1	XA-59697	1
3	Lift Cylinder Pin, Plated	XA-59876	1	XA-59876	1
4	3/8" Hex Head Cap Screw, Plated	XF-08-038C5-075P	4	XF-08-038C5-075P	4
5	Solenoid Valve with Coil	XB-58027	1	XB-58027	1
6	Pressure Compensated Flow Control Valve, 1.5 GPM	XB-59698-15	1	XB-59698-15	1
7	Lift Cylinder Pin, Plated	XA-58557	1	XA-58557	1
8	3/8" Hex Head Cap Screw, Plated	XF-08-038C5-125P	3	XF-08-038C5-125P	3
9	3/8" Washer, Plated	XB-1108	1	XB-1108	1
10	3/8" Locknut, Plated	XB-338	1	XB-338	1
11	Mounting Bracket and Wear Pad Assembly	XA-59329	1	XA-59329	1
12	Wear Pad Shim	XA-59311	1	XA-59311	1
13	Roller Assembly	XA-57940	4	XA-57940	4
14	1/2" Socket Head Cap Screw, Plated	XF-04-050C8-100P	16	XF-04-050C8-100P	16
15	1/2" Flat Washer, Plated	XF-41-050-8P	16	XF-41-050-8P	16
16	Runner Assembly, Curbside with Cylinder	XA-59318-02	1	XA-59318-02	1
17	1/2" Hydraulic Tube Clamp	XB-58273	3	XB-58273	3
18	Hydraulic Tube (low pressure)	XA-59971	1	XA-59971	1
19	Tube Hydraulic 90°	XA-58124	2	XA-58124	2
20	Hydraulic Tube (high pressure)	XA-59970	1	XA-59970	1
21	LED Light Harness	2026100000030	1	2026100000030	1
22	Cylinder Solenoid Cable Assembly	XA-58121	1	XA-58121	1
23	Hose Guard Top, Galvanized	XA-62974	1	XA-62974	1
24	Hose Guard, Galvanized	XA-62647	1	XA-62647	1
25	Open/Close Cylinder Pin, Top	XA-58607	1	XA-58607	1
26	Open/Close Cylinder Pin, Button Bolt	XF-07-038C5-125P	1	XF-07-038C5-125P	1
27	Open/Close Hydraulic Hose Assembly, 64" Long	XA-58613-06400	1	XA-58613-06400	1
28	Open/Close Hydraulic Hose Assembly, 60" Long	XA-58613-06000	1	XA-58613-06000	1
29	Flow Restrictor, In-line	XB-58612-03	1	XB-58612-03	1
30	Open/Close Cylinder	XA-59529	1	XA-59529	1
31	Potted Toggle Switch Assembly	XA-58749	1	XA-58749	1
32	Open/Close Hose Bundle with Cable	XA-58753	1	XA-58753	1
33	Column Up/Down Cable Assembly ONLY	XA-58127	1	XA-58127	1
34	Rubber Grommet	TR-SP315-163	1	TR-SP315-163	1
35	1/4" Hydraulic Tube, Rod End	XA-62740	1	XA-62740	1
36	1/4" Hydraulic Tube	XA-62739	1	XA-62739	1
37	1/4" Hydraulic Tube Clamp	XB-58615	2	XB-58615	2
38	1/4" Socket Head Cap Screw, Plated	XB-58622	2	XB-58622	2
39	Fitting, 90° Swivel Elbow	XB-57354	1	XB-57354	1
40	Fitting, 90° Elbow	XB-57302	1	XB-57302	1
41	Light, Red Oval, INNOTECH, LED	XB-59983	1	XB-59983	1
42	Light, White Oval, INNOTECH, LED	XB-59984	1	XB-59984	1

* Black Armor coating shown. Contact SAF-HOLLAND for galvanized part numbers.

DH45B and DH55B Curbside Components

ITEM	DESCRIPTION	DH45B	QTY	DH55B	QTY
1	Curbside Column, 84" Platform*	XA-62904-01	1	XA-62904-01	1
	Curbside Column, 72" Platform*	XA-62904-01	1	XA-62904-01	1
	Curbside Column, 56" Platform*	XA-62904-01	1	XA-62904-01	1
2	Lift Cylinder	XA-59251	1	XA-59251	1
3	Lift Cylinder Pin, Plated	XA-59876	1	XA-59876	1
4	3/8" Hex Head Cap Screw, Plated	XF-08-038C5-075P	4	XF-08-038C5-075P	4
5	Solenoid Valve With Coil	XB-58027	1	XB-58027	1
6	Pressure Compensated Flow Control Valve, 2.5 GPM	XB-59698-25	1	XB-59698-25	1
7	Lift Cylinder Pin, Plated	XA-58557	1	XA-58557	1
8	3/8" Hex Head Cap Screw, Plated	XF-08-038C5-125P	3	XF-08-038C5-125P	3
9	3/8" Washer, Plated	XB-1108	1	XB-1108	1
10	3/8" Locknut, Plated	XB-338	1	XB-338	1
11	Mounting Bracket and Wear Pad Assembly	XA-59329	1	XA-59329	1
12	Wear Pad Shim	XA-59311	1	XA-59311	1
13	Roller Assembly	XA-57940	2	XA-57940	4
14	1/2" Socket Head Cap Screw, Plated	XF-04-050C8-100P	8	XF-04-050C8-100P	16
15	1/2" Flat Washer, Plated	XF-41-050-8P	8	XF-41-050-8P	16
16	Runner Assembly, Curbside with Cylinder	XA-59318-01	1	XA-59318-02	1
17	1/2" Hydraulic Tube Clamp	XB-58273	3	XB-58273	3
18	Hydraulic Tube (low pressure)	XA-59971	1	XA-59971	1
19	Tube Hydraulic 90°	XA-58124	2	XA-58124	2
20	Hydraulic Tube (high pressure)	XA-59970	1	XA-59970	1

* Black Armor coating shown. Contact SAF-HOLLAND for galvanized part numbers.

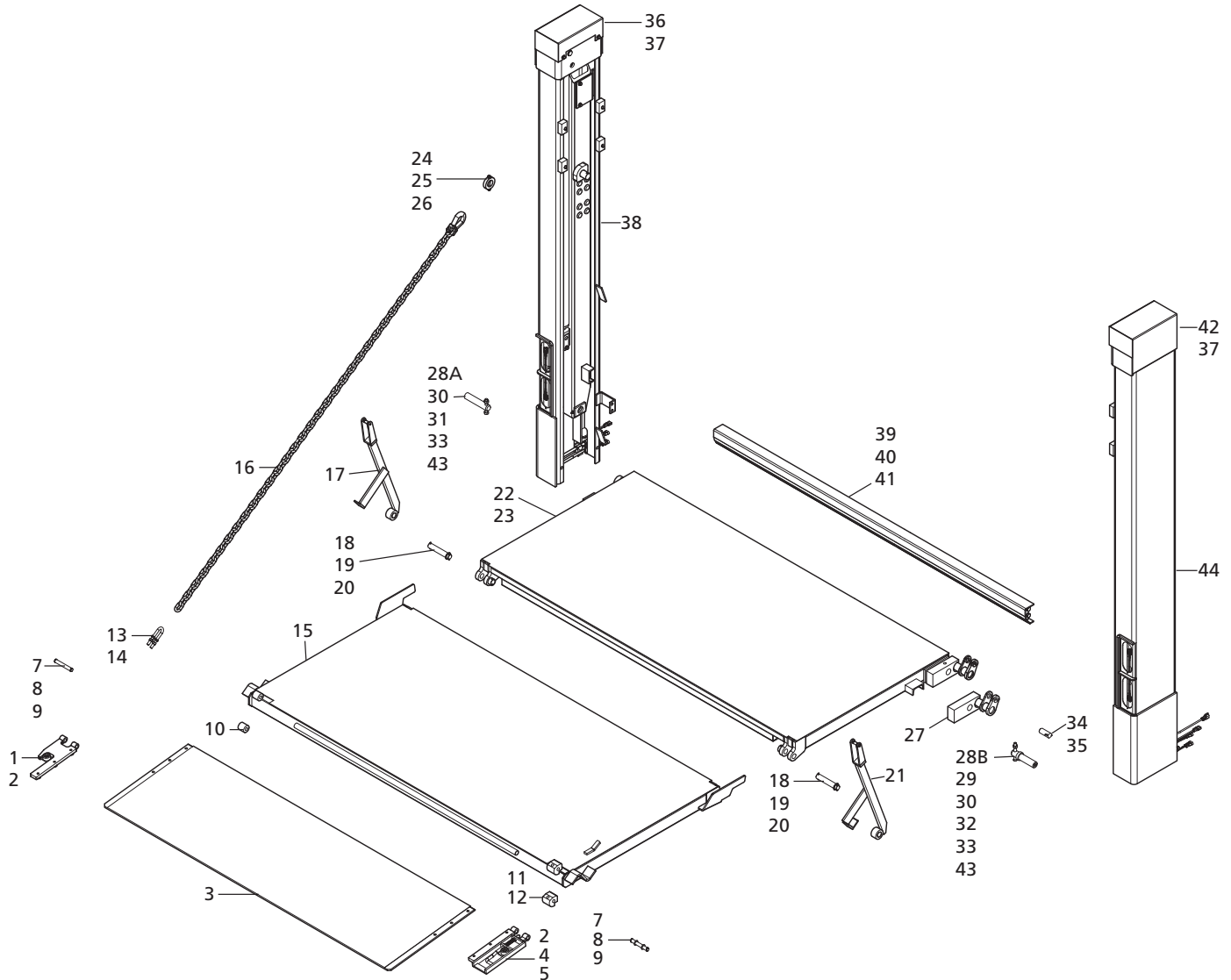


DH45B and DH55B Curbside Components, continued

ITEM	DESCRIPTION	DH45B	QTY	DH55B	QTY
21	LED Light Harness	2026100000030	1	2026100000030	1
22	Cylinder Solenoid Cable Assembly	XA-58121	1	XA-58121	1
23	Hose Guard Top, Galvanized	XA-62974	1	XA-62974	1
24	Hose Guard, Galvanized	XA-62647	1	XA-62647	1
25	Open/Close Cylinder Pin, Top	XA-58607	1	XA-58607	1
26	Open/Close Cylinder Pin, Button Bolt	XF-07-038C5-125P	1	XF-07-038C5-125P	1
27	Open/Close Hydraulic Hose Assembly, 64" Long	XA-58613-06400	1	XA-58613-06400	1
28	Open/Close Hydraulic Hose Assembly, 60" Long	XA-58613-06000	1	XA-58613-06000	1
29	Flow Restrictor, In-line	XB-58612-03	1	XB-58612-03	1
30	Open/Close Cylinder	XA-59529	1	XA-59529	1
31	Potted Toggle Switch Assembly	XA-58749	1	XA-58749	1
32	Open/Close Hose Bundle with Cable	XA-58753	1	XA-58753	1
33	Column Up/Down Cable Assembly ONLY	XA-58127	1	XA-58127	1
34	Rubber Grommet	TR-SP315-163	1	TR-SP315-163	1
35	1/4" Hydraulic Tube, Rod End	XA-62740	1	XA-62740	1
36	1/4" Hydraulic Tube	XA-62739	1	XA-62739	1
37	1/4" Hydraulic Tube Clamp	XB-58615	2	XB-58615	2
38	1/4" Socket Head Cap Screw, Plated	XB-58622	2	XB-58622	2
39	Fitting, 90° Swivel Elbow	XB-57354	1	XB-57354	1
40	Fitting, 90° Elbow	XB-57302	1	XB-57302	1
41	Light, Red Oval, INNOTEK, LED	XB-59983	1	XB-59983	1
42	Light, White Oval, INNOTEK, LED	XB-59984	1	XB-59984	1

* Black Armor coating shown. Contact SAF-HOLLAND for galvanized part numbers.

6. DH45, DH55 and DH66 Assembly and Parts Lists



DH45, DH55 and DH66 Curbside Components

ITEM	DESCRIPTION	DH45	QTY	DH55	QTY	DH66	QTY
1	Roadside Ramp Hinge*	XA-58757	1	XA-58757	1	XA-58757	1
2	Ramp/Hinge Attaching Screws	XB-58416	6	XB-58416	6	XB-58416	6
3A	Ramp, Aluminum, 16" x 102"†	XA-58489-01	1	XA-58489-01	1	XA-58489-01	1
3B	Ramp, Aluminum, 23" x 102"†	XA-58617-01	1	XA-58617-01	1	XA-58617-01	1
4	Curbside Ramp Hinge*	AK-59748-01	1	AK-59748-01	1	AK-59748-01	1
5	Ramp Hinge Handle	XA-58363	1	XA-58363	1	XA-58363	1
6	Ramp Hinge Handle Spring	XA-58364	1	XA-58364	1	XA-58364	1
7	Ramp Mounting Pin, Plated	XA-58441	2	XA-58441	2	XA-58441	2
8	Ramp Mounting Pin Flat Washer	XB-58642	2	XB-58642	2	XB-58642	2
9	Ramp Mounting Pin Retaining Ring, Plated	XB-58443	4	XB-58443	4	XB-58443	4
10	Ramp, Roadside Lug	XA-58508	1	XA-58508	1	XA-58508	1
11	Ramp, Curbside Lug	XA-58960	1	XA-58960	1	XA-58960	1
12	Ramp Pivot Hardened Bushing	XB-58961	1	XB-58961	1	XB-58961	1
13A	Chain, U-bolt, Short	XB-57244	2	XB-57244	2	XB-57244	2
13B	Chain, U-bolt, Long	XA-58716	2	XA-58716	2	XA-58716	2
14	Chain, Jam Nut, Plated	XF-32-043C2-P	2	XF-32-043C2-P	2	XF-32-043C2-P	2

* Black Armor coating shown. Contact SAF-HOLLAND for galvanized part numbers.

† 102" wide part numbers shown. Contact SAF-HOLLAND for part numbers for 96" wide models.



DH45, DH55 and DH66 Curbside Components, continued

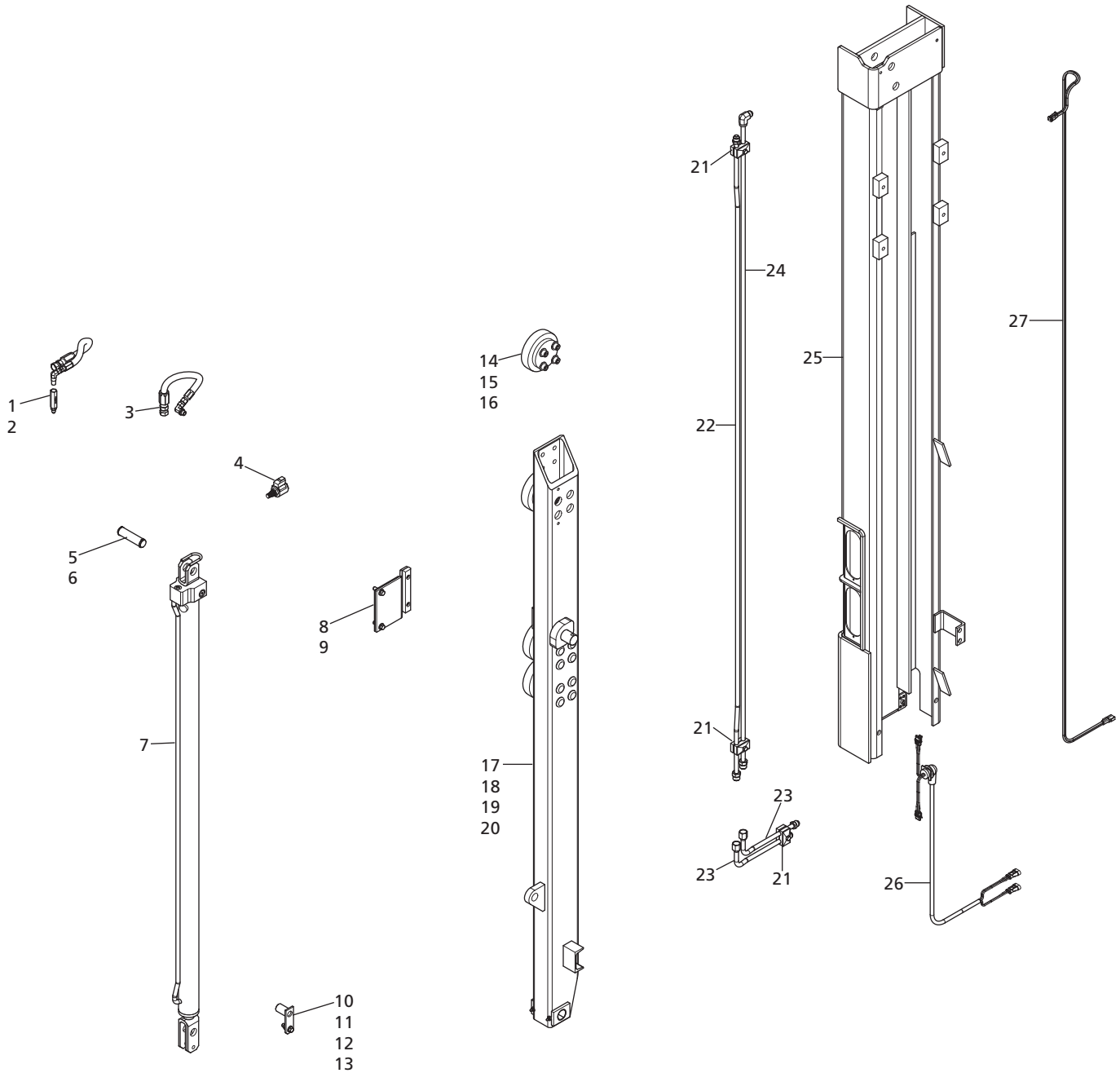
ITEM	DESCRIPTION	DH45	QTY	DH55	QTY	DH66	QTY
16D	Chain Abrasion Sleeve	XA-57982-04800	2	XA-57982-04800	2	XA-57982-04800	2
18	Platform Hinge Pin	XA-58535	2	XA-58535	2	XA-58535	2
19	Platform Hinge Pin Flat Washer, Plated	XB-58525	4	XB-58525	4	XB-58525	4
20	Platform Hinge Pin Roll Pin, Plated	XB-21-S-250-1500P	4	XB-21-S-250-1500P	4	XB-21-S-250-1500P	4
23	Rubber Bumper	XB-54206	2	XB-54206	2	XB-54206	2
24	Chain Collar	XA-58107	2	XA-58107	2	XA-58107	2
25	Chain Collar Bolt, Plated	XF-04-031C8-300P	2	XF-04-031C8-300P	2	XF-04-031C8-300P	2
26	Chain Collar Lock Nut, Plated	XF-31-031C5-P	2	XF-31-031C5-P	2	XF-31-031C5-P	2
27A	Kit Linkage Repair, 84" Platform	RK-59016-02	1	RK-59016-02	1	RK-59016-02	1
27B	Kit Linkage Repair, 72" Platform	RK-59016	1	RK-59016	1	RK-59016	1
27C	Kit Linkage Repair, 56" Platform	RK-59016	1	RK-59016	1	RK-59016	1
28A	Platform Pin Roadside	XA-62680	1	XA-62680	1	XA-62680	1
28B	Platform Pin Curbside	XA-62620	1	XA-62620	1	XA-62620	1
29	Platform Pin Collar, 1/2" Spacer	XA-58564	1	XA-58564	1	XA-58564	1
30	Platform Pin Hole Plug	XB-58806	2	XB-58806	2	XB-58806	2
31	Platform Pin Roadside Bolt, Plated	XF-01-050C5-300P	1	XF-01-050C5-300P	1	XF-01-050C5-300P	1
32	Platform Pin Curbside Bolt, Plated	XB-58818	1	XB-58818	1	XB-58818	1
33	Platform Pin Lock Nut, Plated	XF-31-050C8-P	2	XF-01-075C5-200P	2	XF-01-075C5-200P	2
34	Open/Close Cylinder Pin	XA-58602	1	XA-58602	1	XA-58602	1
35	Open/Close Cylinder Pin Roll Pin, Stainless	XB-21-SS187-2000	1	XB-21-SS187-2000	1	XB-21-SS187-2000	1
36	Roadside Column Cap*	XA-58444-01	1	XA-58444-01	1	XA-58444-01	1
37	Column Cap Mounting Bolts, Plated	XF-08-038C5-075P	4	XF-08-038C5-075P	4	XF-08-038C5-075P	4
39	Deck Extension 102" Wide†	XA-59487-01	1	XA-59487-01	1	XA-59487-01	1
40	Deck Extension Mounting Bolt, Plated	XF-01-050C5-125P	4	XF-01-050C5-125P	4	XF-01-050C5-125P	4
41	Deck Extension Mounting Washer, Plated	XB-T-45	4	XB-T-45	4	XB-T-45	4
42	Curbside Column Cap*	XA-58444-02	1	XA-58444-02	1	XA-58444-02	1
43	Runner Bearing, DX	XB-51859	4	XB-51859	4	XB-51859	4

Platform Components

ITEM	DESCRIPTION	DH45	QTY	DH55	QTY	DH66	QTY
15A	Outer Platform, 84" x 102" Wide*†	XA-58648-05	1	XA-58648-05	1	XA-58439-01	1
15B	Outer Platform, 72" x 102" Wide*†	XA-58963-01	1	XA-58963-01	1	–	1
15C	Outer Platform, 56" x 102" Wide*†	XA-58925-01	1	XA-58925-01	1	–	1
16A	Chain, 84" x 102" Wide	XA-58851-01	2	XA-58851-01	2	XA-58851-01	2
16B	Chain, 72" x 102" Wide	XA-58851-02	2	XA-58851-02	2	XA-58851-02	2
16C	Chain, 56" x 102" Wide	XA-58929-01	2	XA-58929-01	2	XA-58929-01	2
17A	Roadside Chain Stanchion, 84" Platform	XA-59492-01	1	XA-59492-01	1	XA-59492-01	1
17B	Roadside Chain Stanchion, 72" Platform	XA-59492-01	1	XA-59492-01	1	XA-59492-01	1
17C	Roadside Chain Stanchion, 56" Platform	XA-59492-03	1	XA-59492-01	1	XA-59492-01	1
21A	Curbside Chain Stanchion, 84" Platform	XA-59493-01	1	XA-59493-01	1	XA-59493-01	1
21B	Curbside Chain Stanchion, 72" Platform	XA-59493-01	1	XA-59493-01	1	XA-59493-01	1
21C	Curbside Chain Stanchion, 56" Platform	XA-59493-03	1	XA-59493-01	1	XA-59493-01	1
22A	Inner Platform, 84" x 102" Wide*†	XA-58646-05	1	XA-58646-05	1	XA-58095-01	1
22B	Inner Platform, 72" x 102" Wide*†	XA-58962-01	1	XA-58962-01	1	–	1
22C	Inner Platform, 56" x 102" Wide*†	XA-58924-01	1	XA-58924-01	1	–	1
27A	Kit Linkage Repair, 84" Platform	RK-59016-02	1	RK-59016-02	1	RK-59016-02	1
27B	Kit Linkage Repair, 72" Platform	RK-59016	1	RK-59016	1	RK-59016	1
27C	Kit Linkage Repair, 56" Platform	RK-59016	1	RK-59016	1	RK-59016	1
38A	Roadside Column, 84" x 102" Wide*†	XA-59503-01	1	XA-59503-02	1	XA-59503-02	1
38B	Roadside Column, 72" x 102" Wide*†	XA-59503-05	1	XA-59503-06	1	–	1
38C	Roadside Column, 56" x 102" Wide*†	XA-59503-09	1	–	1	–	1
44A	Curbside Column, 84" x 102" Wide*†	XA-59504-01	1	XA-59504-02	1	XA-59504-02	1
44B	Curbside Column, 72" x 102" Wide*†	XA-59504-05	1	XA-59504-06	1	–	1
44C	Curbside Column, 56" x 102" Wide*†	XA-59504-09	1	–	1	–	1

* Black Armor coating shown. Contact SAF-HOLLAND for galvanized part numbers.
† 102" wide part numbers shown. Contact SAF-HOLLAND for part numbers for 96" wide models.

7. DH45, DH55 and DH66 Roadside Column Assembly and Parts List





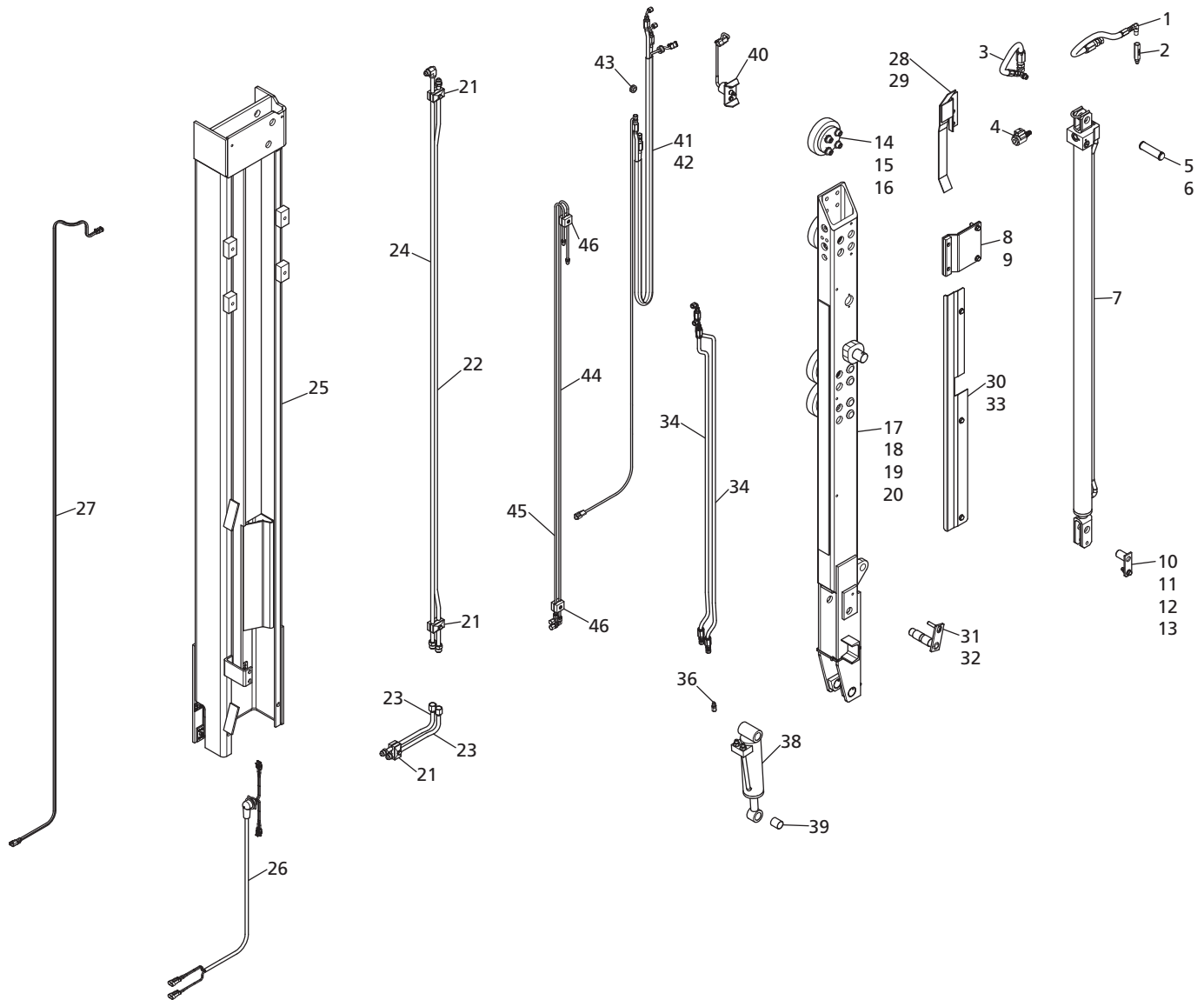
DH45, DH55 and DH66 Roadside Components

ITEM	DESCRIPTION	DH45	QTY	DH55	QTY	DH66	QTY
1	Hydraulic Hose, 18.0" Long	XA-58437-01800	1	XA-58437-01800	1	XA-58437-01800	1
2	Pressure Compensated Flow Control Valve	XA-58751-10	1	XA-58751-15	1	XA-58751-15	1
3	Hydraulic Hose, 16.0" Long	XA-58132-01600	1	XA-58132-01600	1	XA-58132-01600	1
4	Solenoid Valve with Coil	XB-58027	1	XB-58027	1	XB-58027	1
5	Lift Cylinder Pin	XA-58096	1	XA-58096	1	XA-58096	1
6	Lift Cylinder Pin Retaining Ring	XB-51373	2	XB-51373	2	XB-51373	2
7	Lift Cylinder	XA-58379	1	XA-58379	1	XA-58379	1
8	Mounting Bracket and Wear Pad Assembly	XA-58750	1	XA-58750	1	XA-58750	1
9	Wear Pad	XA-58526	1	XA-58526	1	XA-58526	1
10	Lift Cylinder Pin	XA-58557	1	XA-58557	1	XA-58557	1
11	Bolt, Plated	XF-08-038C5-125P	1	XF-08-038C5-125P	1	XF-08-038C5-125P	1
12	Washer, Plated	XB-1108	1	XB-1108	1	XB-1108	1
13	Locknut, Plated	XB-338	1	XB-338	1	XB-338	1
14	Roller Assembly	XA-57940	2	XA-57940	4	XA-57940	4
15	Roller, 1/2" Socket Head Cap Screw, Plated	XF-04-050C8-100P	8	XF-04-050C8-100P	16	XF-04-050C8-100P	16
16	Roller, Flat Washer, Plated	XF-41-050-8P	8	XF-41-050-8P	16	XF-41-050-8P	16
17	Runner Assembly, Roadside	XA-59629-01	1	XA-59629-02	1	XA-59629-02	1
18	Runner, Roadside	XA-59000	1	XA-59000	1	XA-59000	1
19	Runner, Hole Plug	XB-58073-01	8	XB-58073-01	8	XB-58073-01	8
20	Lubrication Fitting	XB-66318	2	XB-66318	2	XB-66318	2
21	1/2" Hydraulic Tube Clamp	XB-58273	3	XB-58273	3	XB-58273	3
22	Hydraulic Tube (low pressure)	XA-58129	1	XA-58129	1	XA-58129	1
23	Tube Hydraulic 90°	XA-58123	2	XA-58123	2	XA-58123	2
24	Hydraulic Tube (high pressure)	XA-58436	1	XA-58436	1	XA-58436	1
25A	Roadside Column for 84" Platform*†	XA-59430-01	1	XA-59430-01	1	XA-59430-01	1
25B	Roadside Column for 72" Platform*†	XA-59430-03	1	XA-59430-03	1	XA-59430-03	1
25C	Roadside Column for 56" Platform*†	XA-59430-05	1	XA-59430-05	1	XA-59430-05	1
26	LED Light Harness	XA-59049-01	1	XA-59049-01	1	XA-59049-01	1
27	Cylinder Solenoid Cable Assembly	XA-58121	1	XA-58121	1	XA-58121	1

* Black Armor coating shown. Contact SAF-HOLLAND for galvanized part numbers.

† 102" wide part numbers shown. Contact SAF-HOLLAND for part numbers for 96" wide models.

8. DH45, DH55 and DH66 Curbside Column Assembly and Parts List



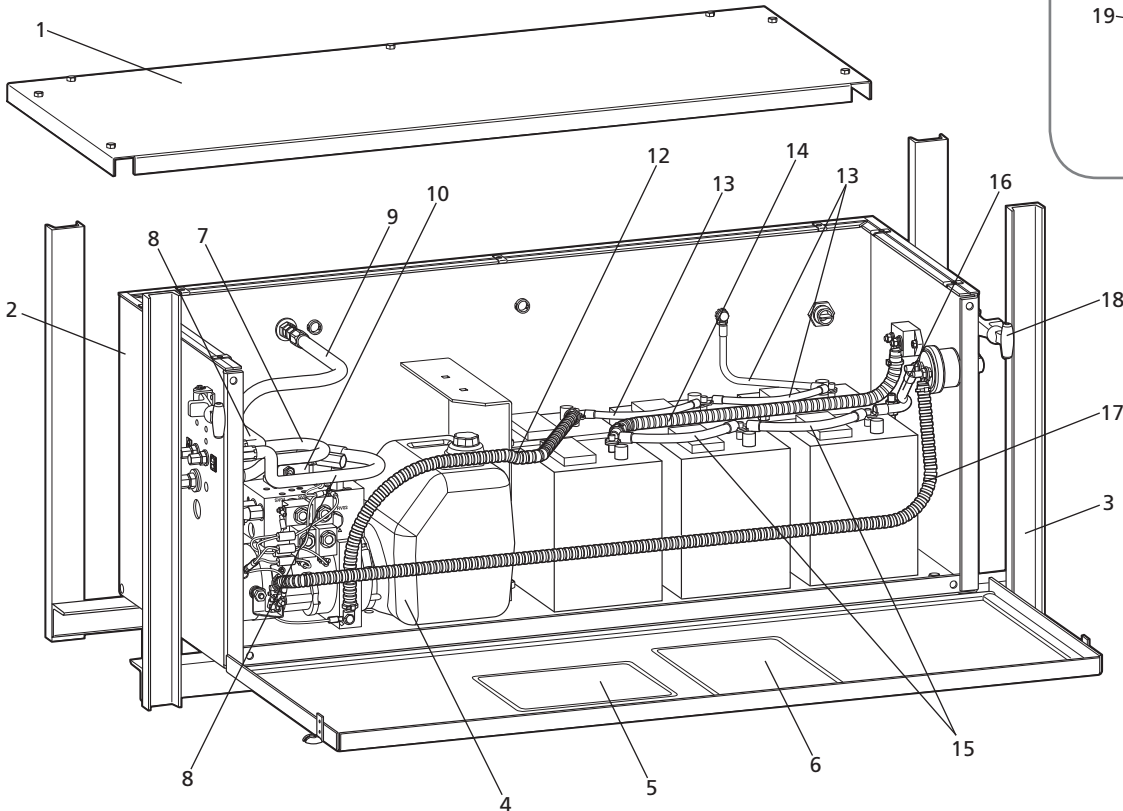


DH45, DH55 and DH66 Curbside Components

ITEM	DESCRIPTION	DH45	QTY	DH55	QTY	DH66	QTY
1	Hydraulic Hose, 18.0" Long	XA-58437-01800	1	XA-58437-01800	1	XA-58437-01800	1
2	Pressure Compensated Flow Control Valve	XA-58751-10	1	XA-58751-15	1	XA-58751-15	1
3	Hydraulic Hose, 16.0" Long	XA-58132-01600	1	XA-58132-01600	1	XA-58132-01600	1
4	Solenoid Valve with Coil	XB-58027	1	XB-58027	1	XB-58027	1
5	Lift Cylinder Pin	XA-58096	1	XA-58096	1	XA-58096	1
6	Lift Cylinder Pin Retaining Ring	XB-51373	2	XB-51373	2	XB-51373	2
7	Lift Cylinder	XA-58379	1	XA-58379	1	XA-58379	1
8	Mounting Bracket and Wear Pad Assembly	XA-58750	1	XA-58750	1	XA-58750	1
9	Wear Pad	XA-58526	1	XA-58526	1	XA-58526	1
10	Lift Cylinder Pin	XA-58557	1	XA-58557	1	XA-58557	1
11	Bolt, Plated	XF-08-038C5-125P	1	XF-08-038C5-125P	1	XF-08-038C5-125P	1
12	Washer, Plated	XB-1108	1	XB-1108	1	XB-1108	1
13	Locknut, Plated	XB-338	1	XB-338	1	XB-338	1
14	Roller Assembly	XA-57940	2	XA-57940	4	XA-57940	4
15	Roller, 1/2" Socket Head Cap Screw, Plated	XF-04-050C8-100P	8	XF-04-050C8-100P	16	XF-04-050C8-100P	16
16	Roller, Flat Washer, Plated	XF-41-050-8P	8	XF-41-050-8P	16	XF-41-050-8P	16
17	Runner Assembly, Curbside	XA-59630-05	1	XA-59630-06	1	XA-59630-06	1
18	Runner, Curbside	XA-59857	1	XA-59857	1	XA-59857	1
19	Runner, Hole Plug	XB-58073-01	8	XB-58073-01	8	XB-58073-01	8
20	Lubrication Fitting	XB-66318	2	XB-66318	2	XB-66318	2
21	1/2" Hydraulic Tube Clamp	XB-58273	3	XB-58273	3	XB-58273	3
22	Hydraulic Tube (low pressure)	XA-58129	1	XA-58129	1	XA-58129	1
23	Tube Hydraulic 90°	XA-58124	2	XA-58124	2	XA-58124	2
24	Hydraulic Tube (high pressure)	XA-58436	1	XA-58436	1	XA-58436	1
25A	Curbside Column for 84" Platform*†	XA-59431-01	1	XA-59431-01	1	XA-59431-01	1
25B	Curbside Column for 72" Platform*†	XA-59431-03	1	XA-59431-03	1	XA-59431-03	1
25C	Curbside Column for 56" Platform*†	XA-59431-05	1	XA-59431-05	1	XA-59431-05	1
26	LED Light Harness	XA-59049-02	1	XA-59049-02	1	XA-59049-02	1
27	Cylinder Solenoid Cable Assembly	XA-58121	1	XA-58121	1	XA-58121	1
28	Hose Guard Top, Galvanized	XA-58676-02	1	XA-58676-02	1	XA-58676-02	1
29	Hose Guard Bolt Top, Plated	XF-04-050C8-125P	2	XF-04-050C8-125P	2	XF-04-050C8-125P	2
30	Hose Guard, Galvanized	XA-58481-02	1	XA-58481-02	1	XA-58481-02	1
31	Open/Close Cylinder Pin, Top	XA-58607	1	XA-58607	1	XA-58607	1
32	Open/Close Cylinder Pin, Button Bolt	XF-07-038C5-200P	1	XF-07-038C5-200P	1	XF-07-038C5-200P	1
33	Hose Guard Bolt, Plated	XF-08-038C5-075P	3	XF-08-038C5-075P	3	XF-08-038C5-075P	3
34	Open/Close Hydraulic Hose Assembly	XA-58613-06400	2	XA-58613-06400	2	XA-58613-06400	2
36	Flow Restrictor, In-line	XB-58612-03	1	XB-58612-03	1	XB-58612-03	1
38	Open/Close Cylinder	XA-58748	1	XA-58748	1	XA-58748	1
39	Fibre Washer	XB-58112	3	XB-58112	3	XB-58112	3
40	Potted Toggle Switch Assembly	XA-58749	1	XA-58749	1	XA-58749	1
41	Open/Close Hose Bundle with Cable	XA-58753	1	XA-58753	1	XA-58753	1
42	Column Up/Down Cable Assembly	XA-58127	1	XA-58127	1	XA-58127	1
43	Rubber Grommet	TR-SP315-173	1	TR-SP315-173	1	TR-SP315-173	1
44	1/4" Hydraulic Tube, Rod End	XA-58239	1	XA-58239	1	XA-58239	1
45	1/4" Hydraulic Tube	XA-58272	1	XA-58272	1	XA-58272	1
46	1/4" Hydraulic Tube Clamp	XB-58615	2	XB-58615	2	XB-58615	2

* Black Armor coating shown. Contact SAF-HOLLAND for galvanized part numbers.
† 102" wide part numbers shown. Contact SAF-HOLLAND for part numbers for 96" wide models.

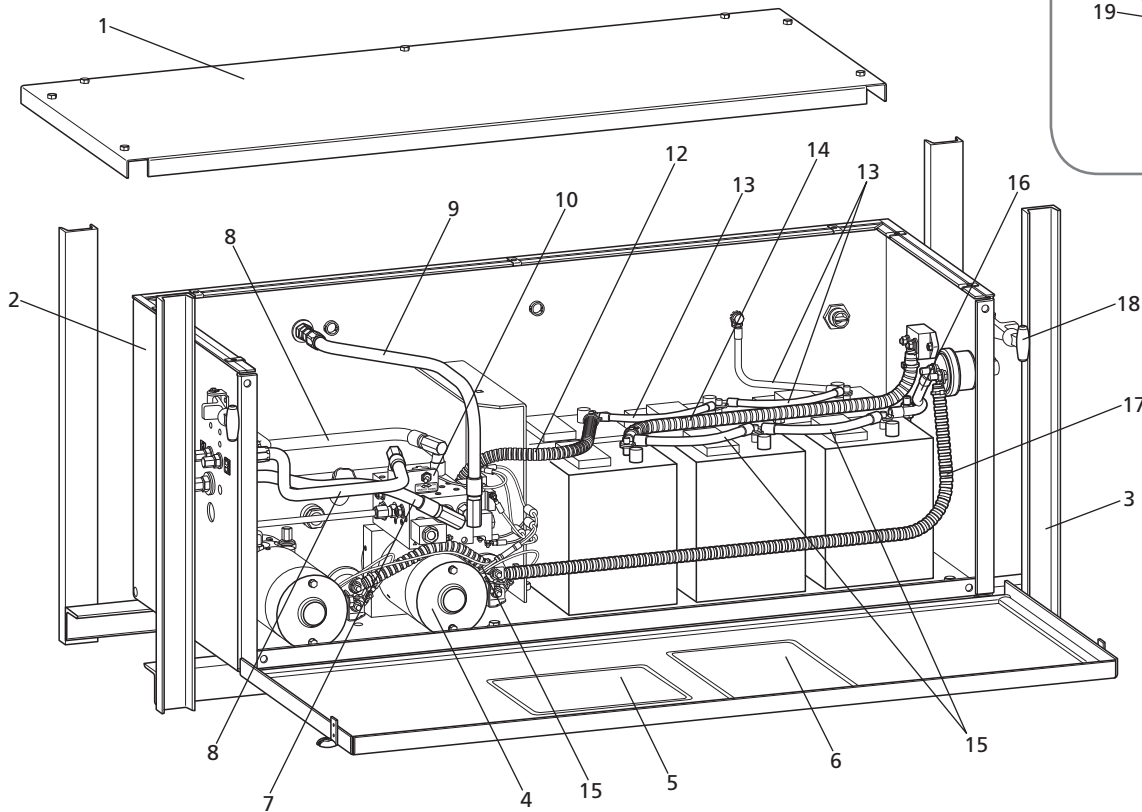
9. DH45B Pump Box Assembly



ITEM	DESCRIPTION	PART NUMBER	QTY
	Pump Box Assembly*	2112360002470	1
1	Panel, Pump Box, Top *	XA-62953-01	1
2	Pump Box *	XA-62947-01	1
3	Pump Box Mount *	XA-62955-01	2
4	Power Pack, DH45 GEN II	2046100000010	1
5	Decal, DH45 Electrical Schematic	2112100002400	1
6	Decal, DH45A/DH45B Hydraulic Schematic	2112100002420	1
7	Hose Assembly, 3/8" I.D., -6 ORB/-6 JIC, 15-1/4" Long	XA-58466-01525	2
8	Hose Assembly, 1/4" I.D., -6 ORB / -4 JIC, 20" Long	XA-59296-02000	2
9	Hose Assembly, 3/8" I.D., -6 ORB/-6 JIC, 26" Long	XA-58466-02600	1
10	Toggle, SPST	XB-62921	1
11	Harness, GEN II, BUCHER, Dual Controller (not shown)	2026100000070	1
12	Battery Cable Assembly, 2 GA., 30" Long	XA-58119-03000	1
13	Battery Cable Assembly, 2 GA., 10" Long	XA-58119-01000	3
14	Battery Cable Assembly, 1/0, Red, 22" Long	XA-59895-02200	1
15	Battery Cable Assembly, 1/0, Red, 10" Long	XA-59895-01000	2
16	Battery Cable Assembly, 1/0, Red, 14" Long	XA-59895-01400	1
17	Battery Cable Assembly, 1/0, Red, 36" Long	XA-59895-03600	1
18	Rubber Hold Down, Strap and Pins	XA-58330	2
19	Master Disconnect Switch	XB-50130	1
20	Circuit Breaker, Manual, 150 AMP	XB-51055	1

* Black Armor coating shown. Contact SAF-HOLLAND for galvanized part numbers.

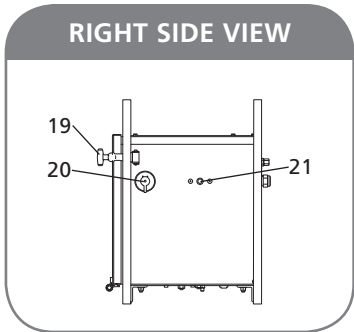
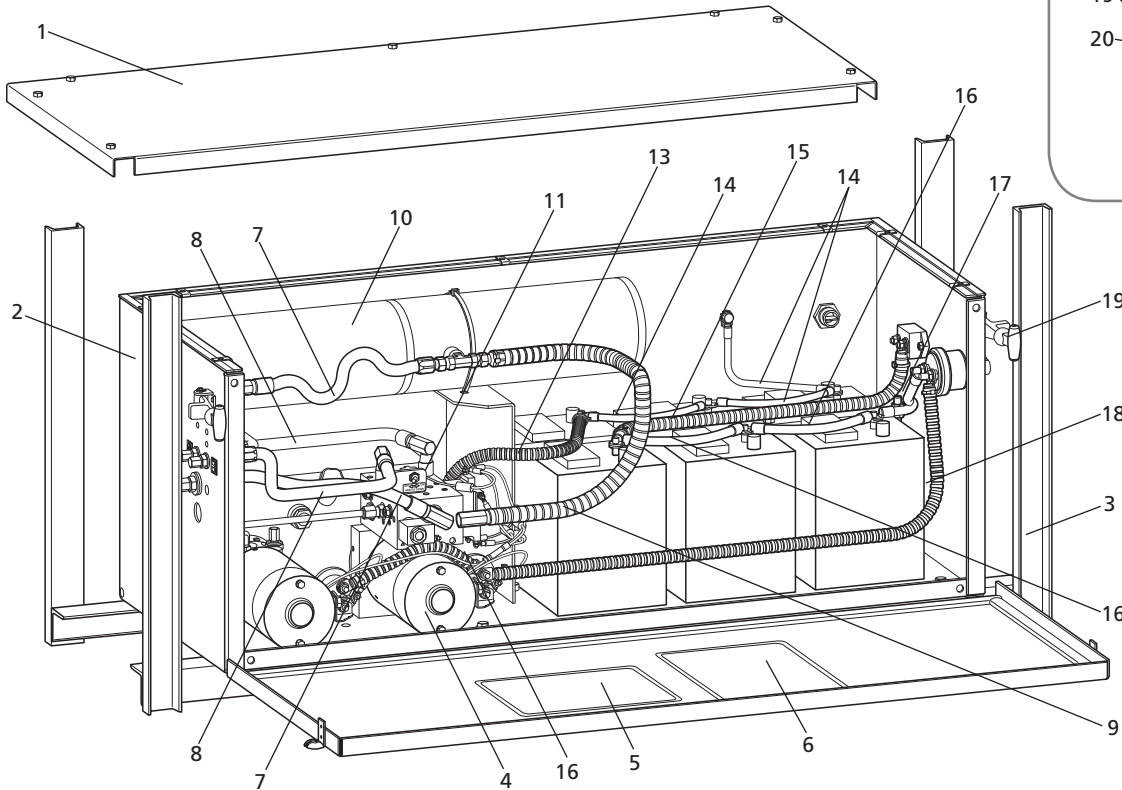
10. DH55B Pump Box Assembly



ITEM	DESCRIPTION	PART NUMBER	QTY
	Pump Box Assembly*	2112360002460	1
1	Panel, Pump Box, Top *	XA-62953-01	1
2	Pump Box *	XA-62947-01	1
3	Pump Box Mount *	XA-62955-01	2
4	Power Pack, DH45 GEN II	2046100000020	1
5	Decal, DH45 Electrical Schematic	2112100002410	1
6	Decal, DH45A/DH45B Hydraulic Schematic	2112100002430	1
7	Hose Assembly, 3/8" I.D., -6 ORB/-6 JIC, 15-1/4" Long	XA-58466-01525	1
8	Hose Assembly, 1/4" I.D., -6 ORB / -4 JIC, 20" Long	XA-59296-02000	2
9	Hose Assembly, 3/8" I.D., -6 ORB/-6 JIC, 26" Long	XA-58466-02600	1
10	Toggle, SPST	XB-62921	1
11	Harness, GEN II, BUCHER, Dual Controller (not shown)	2026100000070	1
12	Battery Cable Assembly, 2 GA., 30" Long	XA-58119-03000	1
13	Battery Cable Assembly, 2 GA., 10" Long	XA-58119-01000	3
14	Battery Cable Assembly, 1/0, Red, 22" Long	XA-59895-02200	1
15	Battery Cable Assembly, 1/0, Red, 10" Long	XA-59895-01000	3
16	Battery Cable Assembly, 1/0, Red, 14" Long	XA-59895-01400	1
17	Battery Cable Assembly, 1/0, Red, 36" Long	XA-59895-03600	1
18	Rubber Hold Down, Strap and Pins	XA-58330	2
19	Master Disconnect Switch	XB-50130	1
20	Circuit Breaker, Manual, 150 Amp	XB-51055	1

* Black Armor coating shown. Contact SAF-HOLLAND for galvanized part numbers.

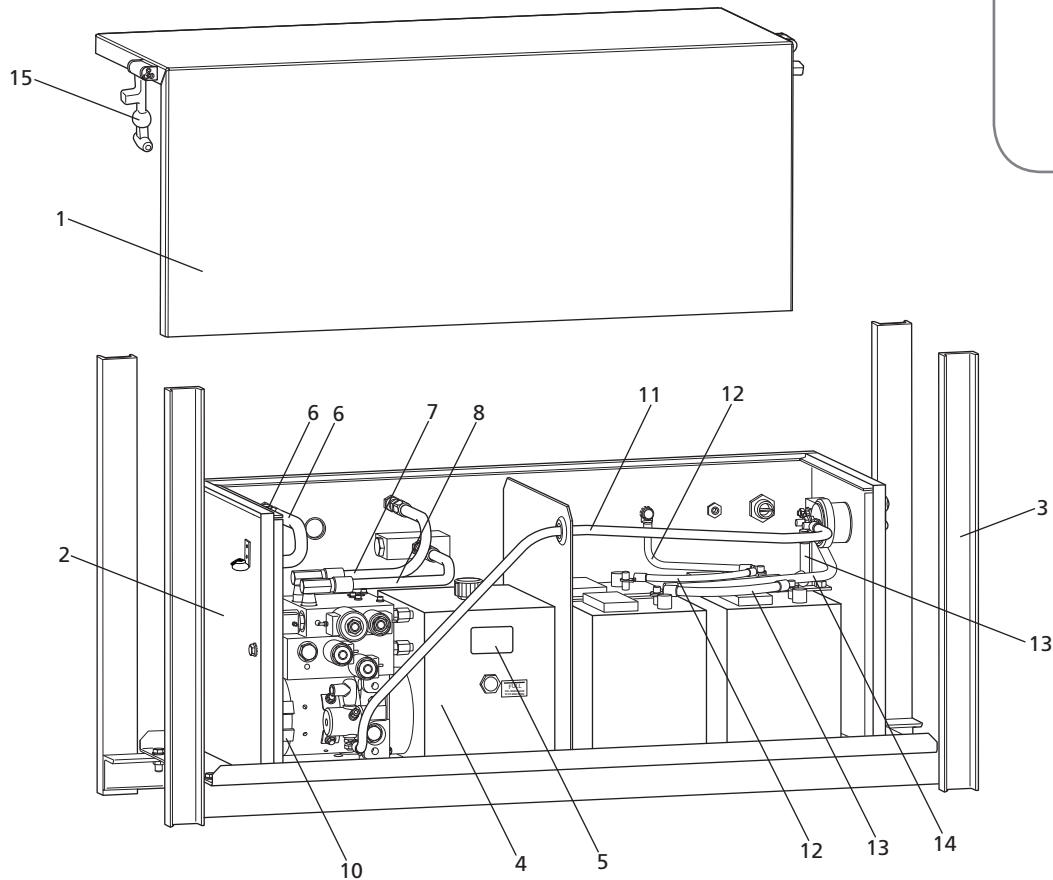
11. DH55A and DH66A Pump Box Assembly



ITEM	DESCRIPTION	PART NUMBER	QTY
	Pump Box Assembly*	2112360002450	1
1	Panel, Pump Box, Top *	XA-62953-01	1
2	Pump Box *	XA-62947-01	1
3	Pump Box Mount *	XA-62955-01	2
4	Power Pack, DH45 GEN II	2046100000030	1
5	Decal, DH45 Electrical Schematic	2112100002410	1
6	Decal, DH45A/DH45B Hydraulic Schematic	2112100002440	1
7	Hose Assembly, 3/8" I.D., -6 ORB/-6 JIC, 15-1/4" Long	XA-58466-01525	2
8	Hose Assembly, 1/4" I.D., -6 ORB / -4 JIC, 20" Long	XA-59296-02000	2
9	Hose Assembly, 3/8" I.D., -6 ORB/-6 JIC, 26" Long	XA-58466-02000	1
10	Master Cylinder	XA-58028	1
11	Toggle, SPST	XB-62921	1
12	Harness, GEN II, BUCHER, Dual Controller (not shown)	2026100000070	1
13	Battery Cable Assembly, 2 GA., 30" Long	XA-58119-03000	1
14	Battery Cable Assembly, 2 GA., 10" Long	XA-58119-01000	3
15	Battery Cable Assembly, 1/0, Red, 22" Long	XA-59895-02200	1
16	Battery Cable Assembly, 1/0, Red, 10" Long	XA-59895-01000	3
17	Battery Cable Assembly, 1/0, Red, 14" Long	XA-59895-01400	1
18	Battery Cable Assembly, 1/0, Red, 36" Long	XA-59895-03600	1
19	Rubber Hold Down, Strap and Pins	XA-58330	2
20	Master Disconnect Switch	XB-50130	1
21	Circuit Breaker, Manual, 150 Amp	XB-51055	1

* Black Armor coating shown. Contact SAF-HOLLAND for galvanized part numbers.

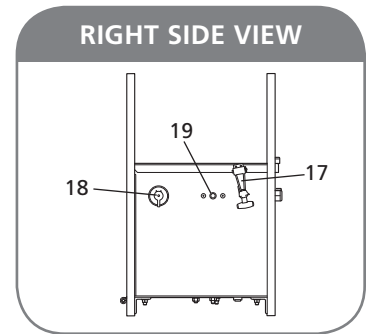
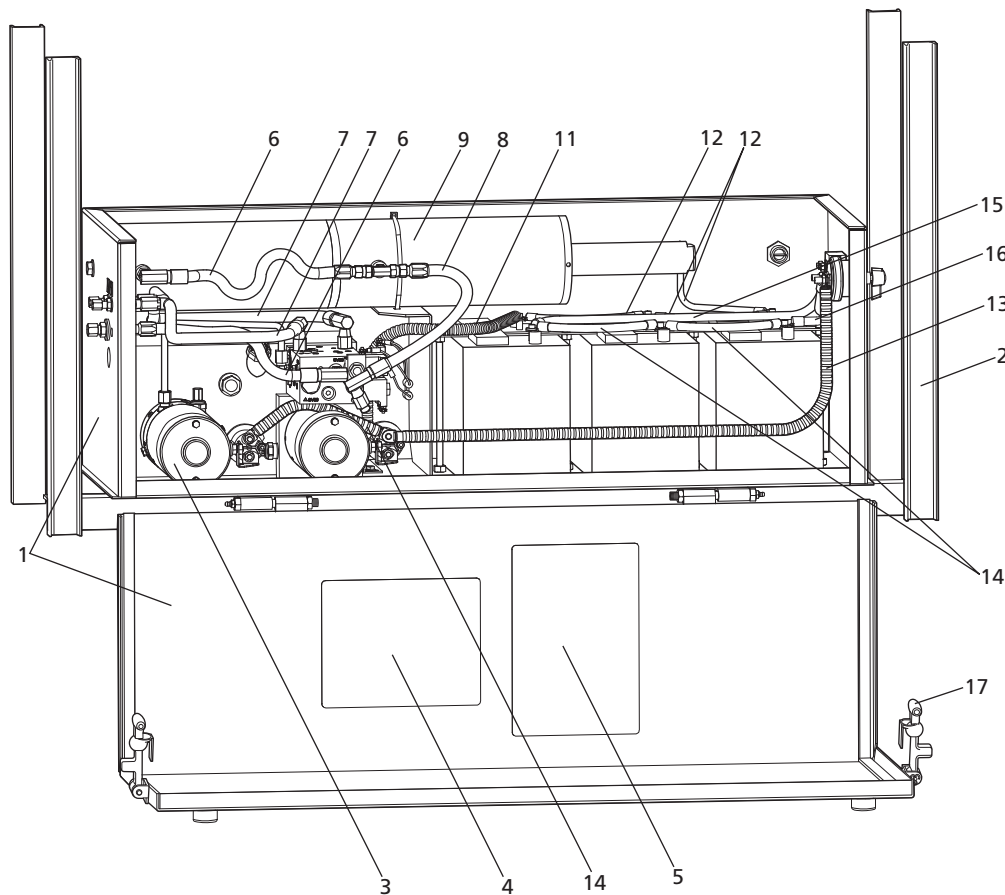
12. DH45 Pump Box Assembly



ITEM	DESCRIPTION	PART NUMBER	QTY
	Pump Box Assembly *	AK-59279-07	1
1	Pump Box, Lid *	XA-59278-01	1
2	Pump Box *	XA-59277-01	1
3	Pump Box Mount *	XA-59406-03	2
4	Power Pack, DH, Single Motor	XA-58829	1
5	Decal, Fluid Spec.	XA-58562	1
6	Hose Assembly, 1/4" I.D., -6 ORB / -4 JIC, 20" Long	XA-59296-02000	2
7	Hose Assembly, 3/8" I.D., -6 ORB/-6 JIC, 20" Long	XA-58466-02000	1
8	Hose Assembly, 3/8" I.D., -6 ORB/-6 JIC, 15-1/4" Long	XA-58466-01525	1
9	Harness, Electrical Power Pack (not shown)	XA-58834	1
10	Battery Cable Assembly, 2 GA., 8" Long	XA-58119-00800	1
11	Battery Cable Assembly, 1/0, Red 40.00" Long	XA-59895-04000	1
12	Battery Cable Assembly, 2 GA., 10" Long	XA-58119-01000	2
13	Battery Cable Assembly, 1/0, Red, 10.00" Long	XA-59895-01000	2
14	Battery Cable Assembly, 1/0, Red, 14.00" Long	XA-59895-01400	1
15	Rubber Hold Down, Straps and Pins	XA-58330	2
16	Master Disconnect Switch	XB-50130	1
17	Circuit Breaker, Manual, 150 Amp	XB-51055	1

* Black Armor coating shown. Contact SAF-HOLLAND for galvanized part numbers.

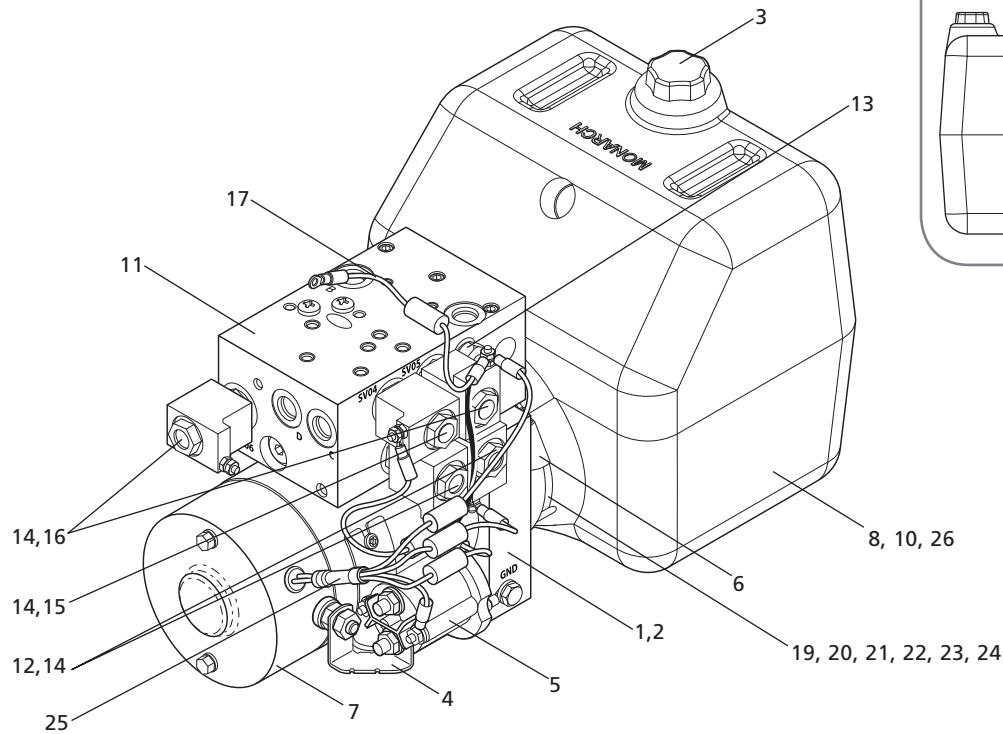
13. DH55 and DH66 Pump Box Assembly



ITEM	DESCRIPTION	PART NUMBER	QTY
	Pump Box Assembly *	AK-62781-01	1
1	Pump Box *	XA-59890-01	1
2	Pump Box Mount *	XA-59894-01	2
3	Power Pack, Dual Motor, DH	XA-62673	1
4	Decal, DH55/66 Electrical Schematic	XB-62936	1
5	Decal, DH55/66 Hydraulic Schematic	XB-62937	1
6	Hose Assembly, 15-1/4" Long	XA-58466-01525	2
7	Hose Assembly, 20" Long	XA-59296-02000	2
8	Hose Assembly, 20" Long	XA-58466-02000	1
9	Master Cylinder	XA-58028	1
10	Harness, Electrical Power Pack (not shown)	XA-62770	1
11	Battery Cable Assembly, 2 GA., 30" Long	XA-58119-03000	1
12	Battery Cable Assembly, 2 GA., 10" Long	XA-58119-01000	3
13	Battery Cable Assembly, 1/0, Red, 22" Long	XA-59895-03600	1
14	Battery Cable Assembly, 1/0, Red, 10" Long	XA-59895-01000	3
15	Battery Cable Assembly, 1/0, Red, 14" Long	XA-59895-02200	1
16	Battery Cable Assembly, 1/0, Red, 36" Long	XA-59895-01400	1
17	Rubber Hold Down, Strap and Pins	XA-58330	2
18	Master Disconnect Switch	XB-50130	1
19	Circuit Breaker, Manual, 150 Amp	XB-51055	1

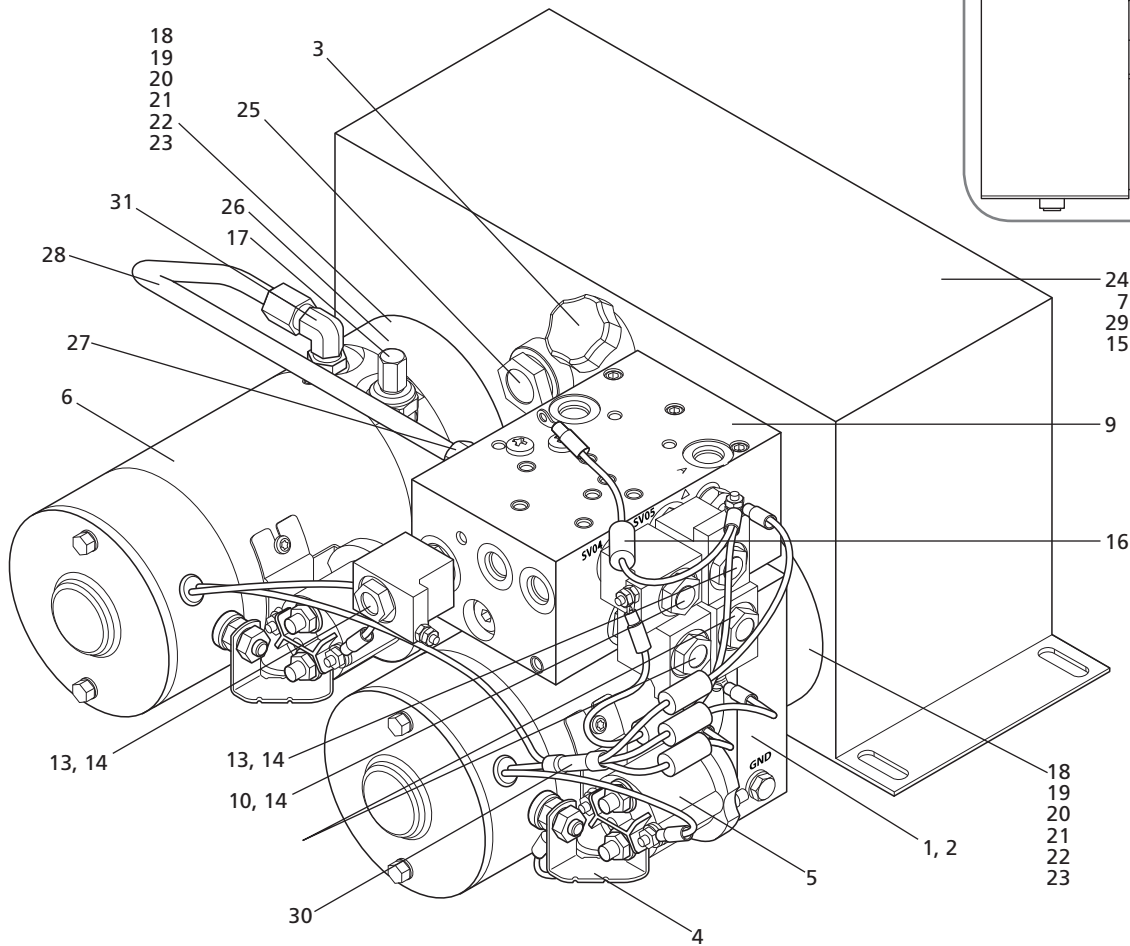
* Black Armor coating shown. Contact SAF-HOLLAND for galvanized part numbers.

14. DH45B Single Motor Power-Pack



ITEM	DESCRIPTION	PART NUMBER	QTY
	Power Pack, DH45 GEN II	204610000010	1
1	Base Assembly, M359, PBP, STD MTR	XB-62927-33	1
2	O-Ring, 0.63" x 0.75" x 0.06" -016	XB-62927-02	1
3	Plug, Resev, Breather Filler	XB-62927-03	1
4	Strap, Motor Solenoid Connecting	XB-62927-04	1
5	4 Post Solenoid, Wire and Screw Kit	XB-62927-51	1
6	Clamp, Hose, Worm Gear, RSV, M-SER	XB-62927-06	1
7	Motor, DC, 12V, 4.5", 1 TRM, NC, THM	XB-62927-52	1
8	Resev, Plastic, 9" x 10" x 9", H/MT	XB-62927-13	1
9	Plug, SAE O-Ring, 9/16"-18, Hex, SO	XB-62927-08	1+2
10	Small Label, Use ESSO UNIVIS J13 Oil	XB-62927-49	1
11	Housing, Valve, 4W/4W Cart, DBL P	XB-62927-54	1
12	Cartridge, 3W/2P, #8, 3000PSI	XB-62927-10	2
13	Valve, CK, Cart, Size 8, with Screen	XB-62927-11	2
14	Coil, 10V DC, Grounded, Single Stud	XB-57905	1+4
15	Cartridge, 4W/2-P, #8, 1/2" Stem	XB-62927-09	1
16	Cartridge, 2W/2P, NC, Spool, 4000P	XB-62927-32	1+1
17	Wire Assembly, CNTRL, 1/2 WR with Diodes	XB-62927-55	1
18	Valve Max VM01 HDM10 T.95-210	XB-62927-29	1
19	Cover, Rear, AP100 309, 0.375" NPT	XB-62927-40	1
20	Pin, Dowel, AP,100	XB-62927-41	4
21	Pump, AP 100, 3.5, PBP, No Cover, CW	XB-62927-47	1
22	O-Ring, Shaped, UP 100 and UP 110	XB-62927-43	1
23	Shaft, intermediate, AP 100, DC	XB-62927-44	1
24	O-Ring, Shaped, Rear Cover, AP 100	XB-62927-45	1
25	Wire Assembly V CNTR, 1/3 WR with Diodes	XB-62927-56	1
26	Label, Full Fill When Gate Is Up	XB-62927-50	1

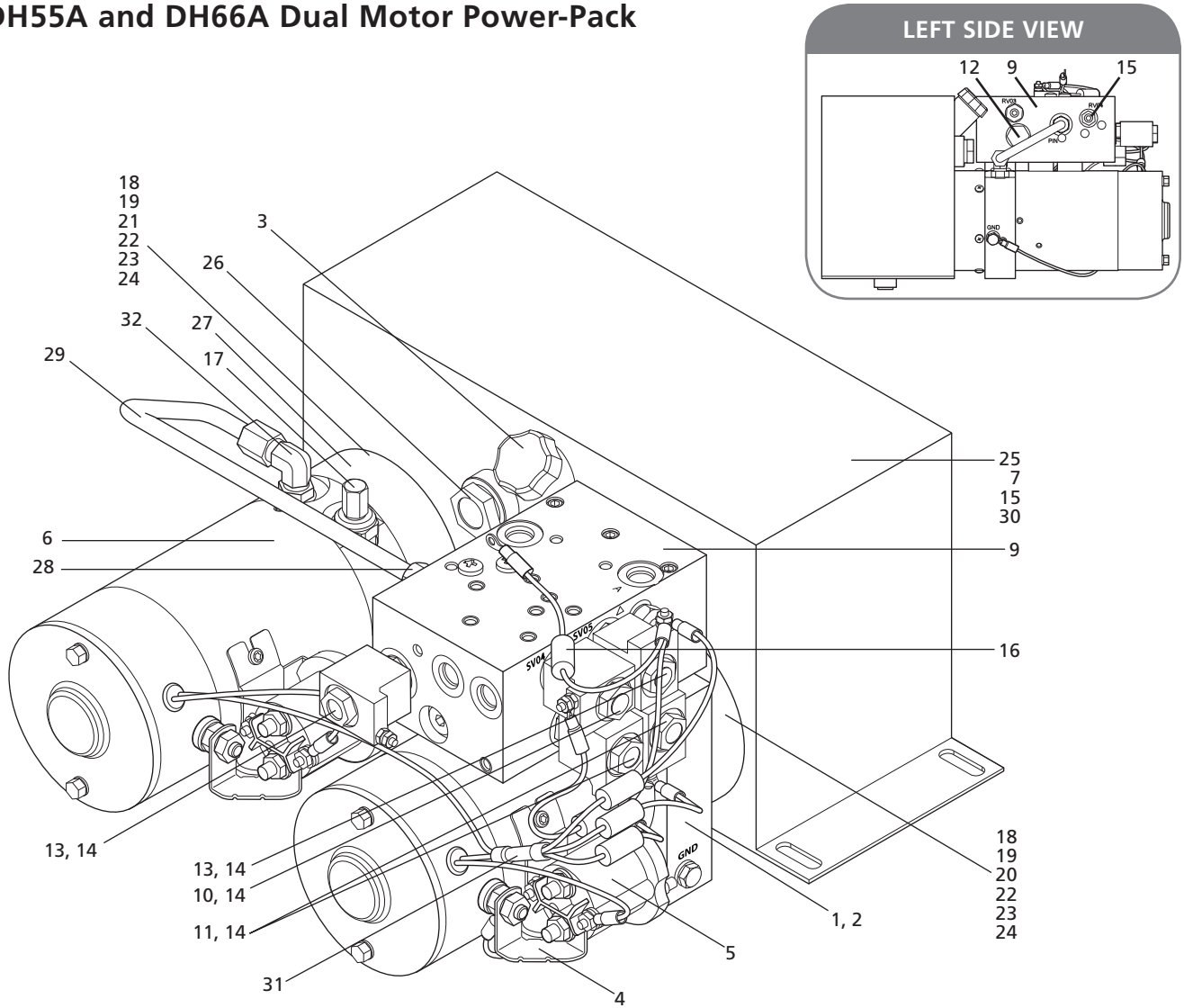
15. DH55B Dual Motor Power-Pack



ITEM	DESCRIPTION	PART NUMBER	QTY
	Power Pack, DH55 GEN II	2046100000020	1
1	Base Assembly, M3598, PBP, STD MTR	XB-62927-33	1
2	O-Ring, 0.63" x 0.75" x 0.06" -016	XB-62927-02	2
3	Plug, Resev., Breather Filler	XB-62927-03	1
4	Strap, Motor Solenoid Connecting	XB-62927-04	2
5	4 Post Solenoid, Wire and Screw Kit	XB-62927-51	2
6	Motor, DC, 12V, 4.5", 1 TRM, NC, THM	XB-62927-52	2
9	Small Label, Use ESSO UNIVIS J13 Oil	XB-62927-49	1
10	Housing, Valve, 4W/4W. Cart. DBL P	XB-62927-54	1
11	Cartridge, 4W/2-P, #8, 1/2" Stem	XB-62927-09	1
12	Cartridge, 3W/2P, #8, 3000PSI	XB-62927-10	2
13	Valve, CK, Cart, Size 8, w/Screen	XB-62927-11	2
14	Cartridge, 2W/2P, NC, Spool, 4000P	XB-62927-32	1+1
15	Coil, 10V DC, Grounded, Single Stud	XB-57905	1+4
16	Plug, SAE O-Ring, 9/16" -18, Hex, SO	XB-62927-08	2+2
17	Wire Assembly, CNTRL, 1/2 WR w/Diodes	XB-62927-55	1

ITEM	DESCRIPTION	PART NUMBER	QTY
17	Valve, Relief, VM01, Blue Spring	XB-62927-53	2
18	Cover, Rear, AP100 309, 0.375 NPT	XB-62927-40	2
19	Pin, Dowel, AP, 100	XB-62927-41	8
20	Pump, AP 100, 1.7, PBP, No Cover, CW	XB-62927-46	2
21	O-Ring, Shaped, UP 100 and UP 110	XB-62927-43	2
22	Shaft, Intermediate, AP 100, DC	XB-62927-44	2
23	O-Ring, Shaped, Rear Cover, AP 100	XB-62927-45	2
24	Resev., 8" x 14" x 6", H/MT, M-300	XB-62927-14	1
25	Gauge, Sight, 3/4" NPT	XB-62927-24	1
26	Base Assembly, M3304, PBP, STD MTR	XB-62927-57	1
27	Connector, Assembly, Male, 3/8T x 9/16S	XB-62927-38	1
28	Tube, Pressure, 180 DEG	XB-62927-58	1
29	Label, Fill Full When Gate Is Up	XB-62927-50	1
30	Wire Assembly, CNTRL, 1/3 WR w/Diodes	XB-62927-56	1
31	Elbow Assembly, 90 Male, CMPR, Steel	XB-62927-25	1

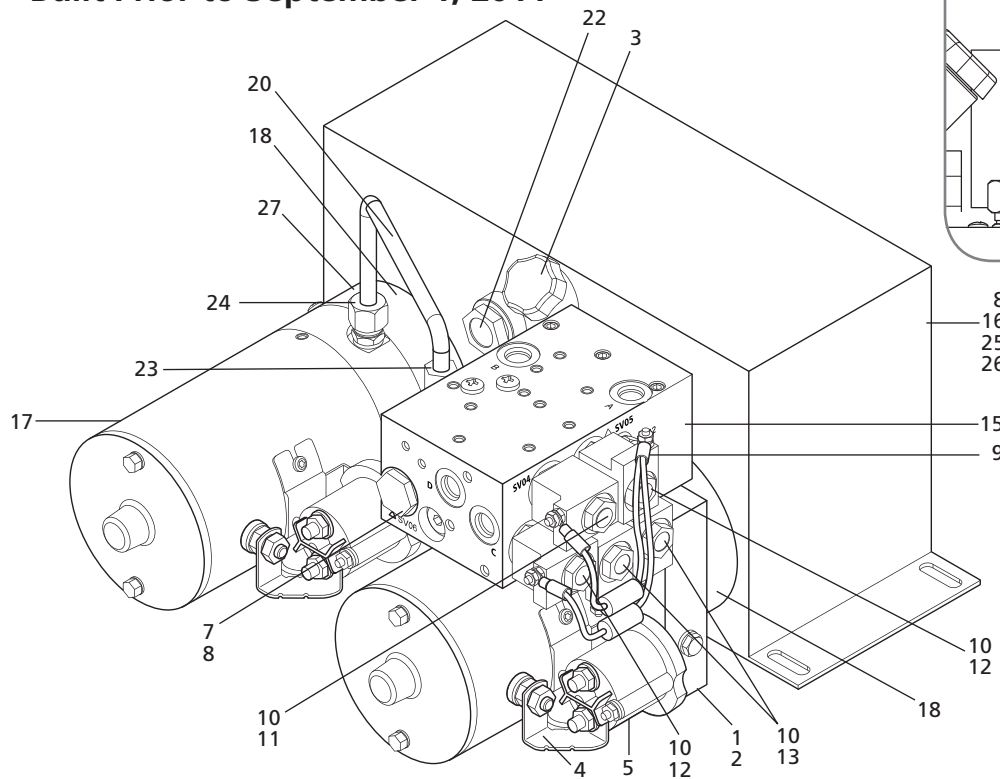
16. DH55A and DH66A Dual Motor Power-Pack



ITEM	DESCRIPTION	PART NUMBER	QTY
	Power Pack, DH66 GEN II	204610000030	1
1	Base Assembly, M3598, PBP, STD MTR	XB-62927-33	1
2	O-Ring, 0.63" x 0.75" x 0.06" -016	XB-62927-02	2
3	Plug, Resev., Breater Filler	XB-62927-03	1
4	Strap, Motor Solenoid Connecting	XB-62927-04	2
5	4 Post Solenoid, Wire and Screw Kit	XB-62927-51	2
6	Motor, DC, 12V, 4.5", 1 TRM, NC, THM	XB-62927-52	2
9	Small Label, Use ESSO UNIVIS J13 Oil	XB-62927-49	1
10	Housing, Valve, 4W/4W. Cart, DBL P	XB-62927-54	1
11	Cartridge, 4W/2-P, #8, 1/2" Stem	XB-62927-09	1
12	Cartridge, 3W/2P, #8, 3000PSI	XB-62927-10	2
13	Valve, CK, Cart, Size 8, with Screen	XB-62927-11	2
14	Cartridge 2W/2P, NC, Spool, 4000P	XB-62927-32	1+1
15	Coil, 10V DC, Grounded, Single Stud	XB-57905	1+4
16	Plug, SAE O-Ring, 9/16" -18, Hex, SO	XB-62927-08	2+2
17	Wire Assembly, CNTRL, 1/2 WR w/ Diodes	XB-62927-55	1

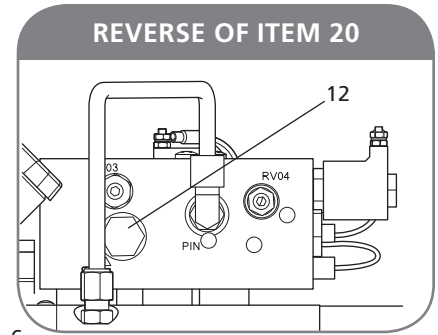
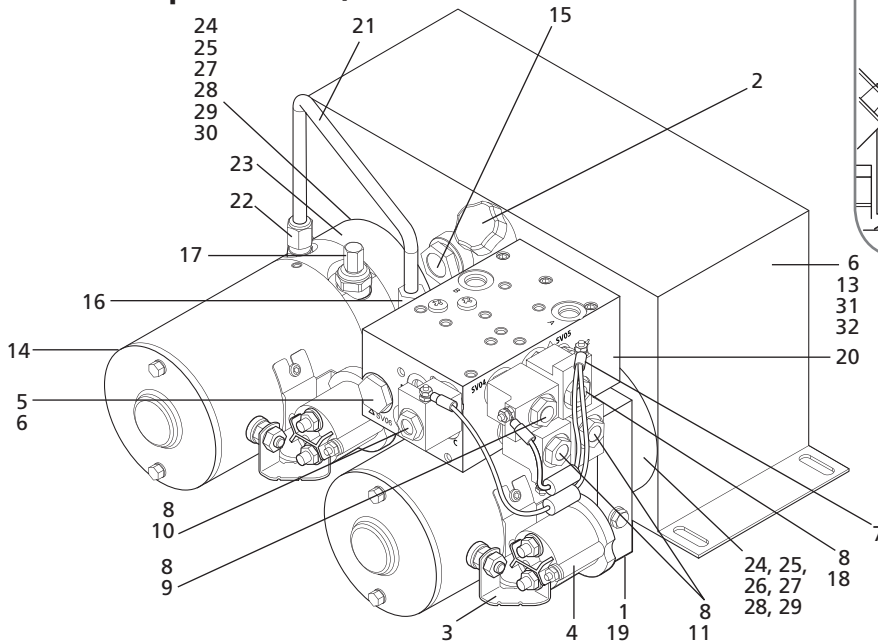
ITEM	DESCRIPTION	PART NUMBER	QTY
17	Valve Max, VM01 HDM10 T.95-210	XB-62927-29	2
18	Cover, Rear, AP100 309, 0.375 NPT	XB-62927-40	2
19	Pin, Dowel, AP,100	XB-62927-41	8
20	Pump, AP100, 2.2, PBP, No Cover, CW	XB-62927-42	1
21	Pump, AP100, 1.7, PBP, No Cover, CW	XB-62927-46	1
22	O-Ring, Shaped, UP 100 and UP 110	XB-62927-43	2
23	Shaft, Intermediate, AP100, DC	XB-62927-44	2
24	O-Ring, Shaped, Rear Cover, AP100	XB-62927-45	2
25	RESV, 8" x 14" x 6", H/MT, M-300	XB-62927-14	1
26	Gauge, Sight, 3/4" NPT	XB-62927-24	1
27	Base Assembly, M3304, PBP, STD MTR	XB-62927-57	1
28	Connector, Assembly, Male, 3/8T x 9/16S	XB-62927-38	1
29	Tube, Pressure, 180 DEG	XB-62927-58	1
30	Label, Full Fill When Gate Is Up	XB-62927-50	1
31	Wire Assembly, CNTRL, 1/3 WR w/ Diodes	XB-62927-56	1
32	Elbow Assembly, 90 Male, CMPR, Steel	XB-62927-25	1

**17. DH55 and DH66 Dual Motor Power-Pack
Built Prior to September 1, 2011**



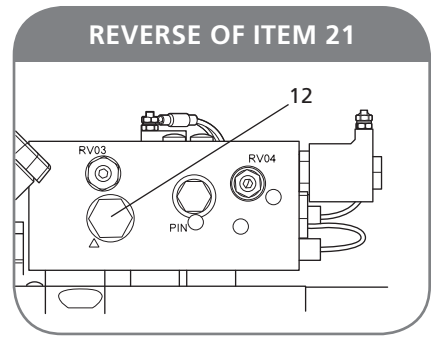
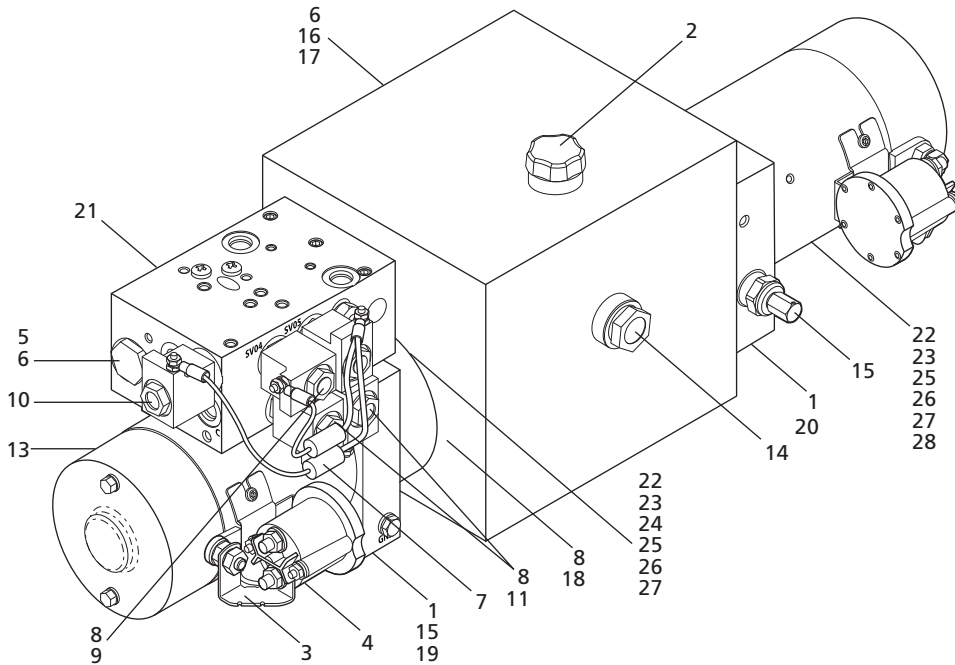
ITEM	DESCRIPTION	PART NUMBER	QTY
	Power Pack	XA-62673	1
1	Base Assembly, M3598, MOD, STD M/M, CV	XB-62927-01	1
2	O-Ring, 0.63" x 0.75" x 0.06" -016	XB-62927-02	2
3	Plug, Resev., Breather Filler	XB-62927-03	1
4	Strap, Motor Solenoid Connecting	XB-62927-04	2
5	4 Post Solenoid, Wire and Screw Kit	XB-62927-51	2
7	Plug, Valve Cavity, SAE #8	XB-62927-07	1
8	Plug, SAE O-Ring, 9/16"-18, Hex, SO	XB-62927-08	2
9	Wire Assembly, CNTRL, 1/2 WR with Diodes	XA-58290	1
10	Coil, 10V DC, Grounded, Single Stud	XB-57905	5
11	Cartridge, 4W/2-P, #8, 1/2" Stem	XB-62927-09	1
12	Cartridge, 2W/2P, NC, Poppet, 4000	XA-59034	2
13	Cartridge, 3W/2P, #8, 3000PSI	XB-62927-10	2
14	Valve, CK, Cart, Size 8, With Screen	XB-62927-11	2
15	Housing, Valve, 4W/4W, Cart, DBL P	XB-62927-12	1
16	Resev., 8" x 14" x 6", H/MT, M-300	XB-62927-14	1
17	Motor, DC, 12V, 4.5", 1 TERM	XB-62927-17	2
18	Pump Assembly, QM, MLDR, DC, XA-62673	XB-62927-20	1
19	Pump Assembly, QM, MLDR, DC, XA-62673	XB-62927-21	1
20	Tube, Pressure, 180 DEG	XB-62927-22	1
21	Base Assembly M304, MOD, STD MTR	XB-62927-23	1
22	Gauge, Sight, 3/4" NPT	XB-62927-24	1
23	Elbow Assembly, 90 Male, CMPR, Steel	XB-62927-25	1
24	Connector Assembly, Male, 3/8T x 3/8P	XB-62927-26	1
25	Small Label, Use ESSO UNIVIS J13 Oil	XB-62927-49	1
26	Label, Full Fill When Gate Is Up	XB-62927-50	1

**18. DH55 and DH66 Dual Motor Power-Pack
Built After September 1, 2011**



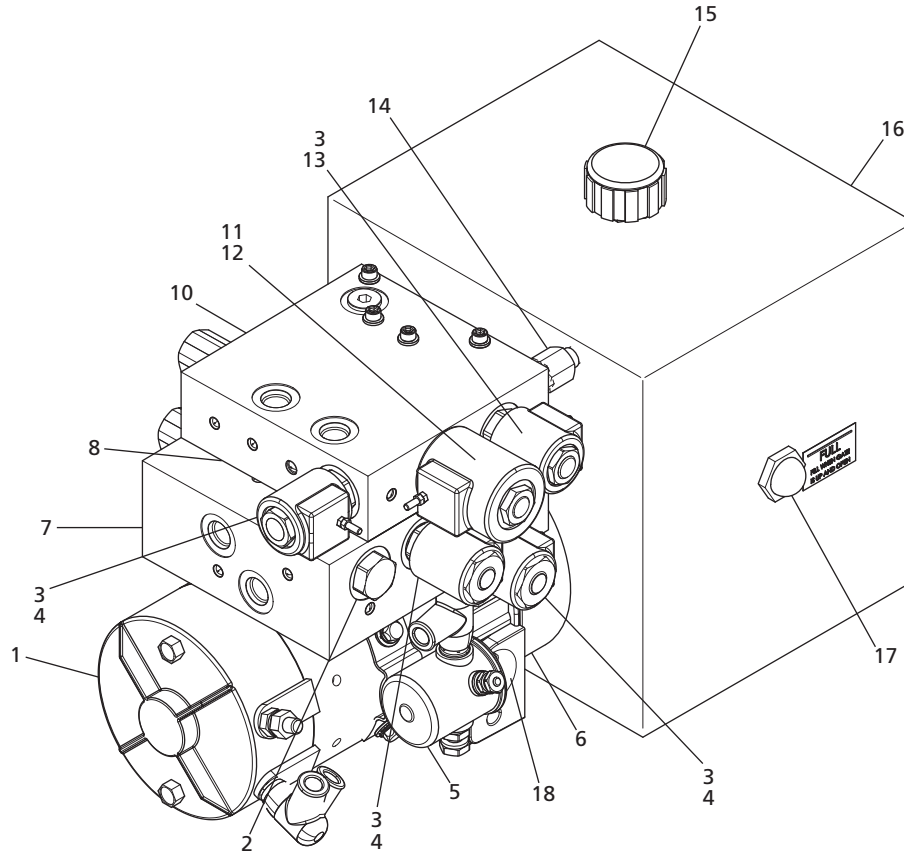
ITEM	DESCRIPTION	PART NUMBER	QTY
	Power Pack	XA-62673	1
1	O-Ring, 0.63" x 0.75" x 0.06" -016	XB-62927-02	2
2	Plug, Resev., Breather Filler	XB-62927-03	1
3	Strap, Motor Solenoid Connecting	XB-62927-04	2
4	4 Post Solenoid, Wire and Screw Kit	XB-62927-51	2
5	Plug, Valve Cavity, SAE #8	XB-62927-07	1
6	Plug, SAE O-Ring, 9/16" -18, Hex, SO	XB-62927-08	2
7	Wire Assembly, CNTRL, 1/2 WR with Diodes	XA-58290	1
8	Coil, 10V DC, Grounded, Single Stud	XB-57905	5
9	Cartridge, 4W/2-P, #8, 1/2" Stem	XB-62927-09	1
10	Cartridge, 2W/2P, NC, Poppet, 4000	XA-59034	1
11	Cartridge, 3W/2P, #8, 3000 PSI	XB-62927-10	2
12	Valve, CK, Cart Size 8, with Screen	XB-62927-11	2
13	Resev., 8" x 14" x 6", H/MT, M-300	XB-62927-14	1
14	Motor, DC, 12V, 4.5", 1 Term, Long	XB-62927-16	2
15	Gauge, Sight, 3/4" NPT	XB-62967-24	1
16	Elbow Assembly, 90 Male, CMPR, Steel	XB-62967-25	1
17	Valve Max, VM01 HDM10 T.95-210	XB-62967-29	2
18	Cartridge, 2W/2P, NC, Spool, 4000P	XB-62967-32	1
19	Base Assembly, M359, PBP, STD MTR	XB-62967-33	1
20	Housing, Valve 4W/4W, Cart DBL P	XB-62967-36	1
21	Tube, Pressure, 180 DEG	XB-62967-37	1
22	Connector, Assembly, Male, 3/8T x 9/16S	XB-62967-38	1
23	Base Assembly, M3304, PBP, STD MTR	XB-62967-39	1
24	Cover, Rear, AP100 309, 0.375" NPT	XB-62967-40	2
25	Pin, Dowel, AP,100	XB-62967-41	8
26	Pump, AP100, 2.2 PBP, No Cover, CW	XB-62967-42	1
27	O-Ring, Shaped, UP 100 and UP 110	XB-62967-43	2
28	Shaft, Intermediate, AP100, DC	XB-62967-44	2
29	O-Ring, Shaped, Rear Cover AP100	XB-62967-45	2
30	Pump, AP100, 1.7, PBP, No Cover, CW	XB-62967-46	1
31	Small Lable, Use ESSO UNIVIS J13 Oil	XB-62927-49	1
32	Label, Full Fill When Gate Is Up	XB-62927-50	1

19. DH55 and DH66 Haldex Dual Motor Power-Pack Replacement



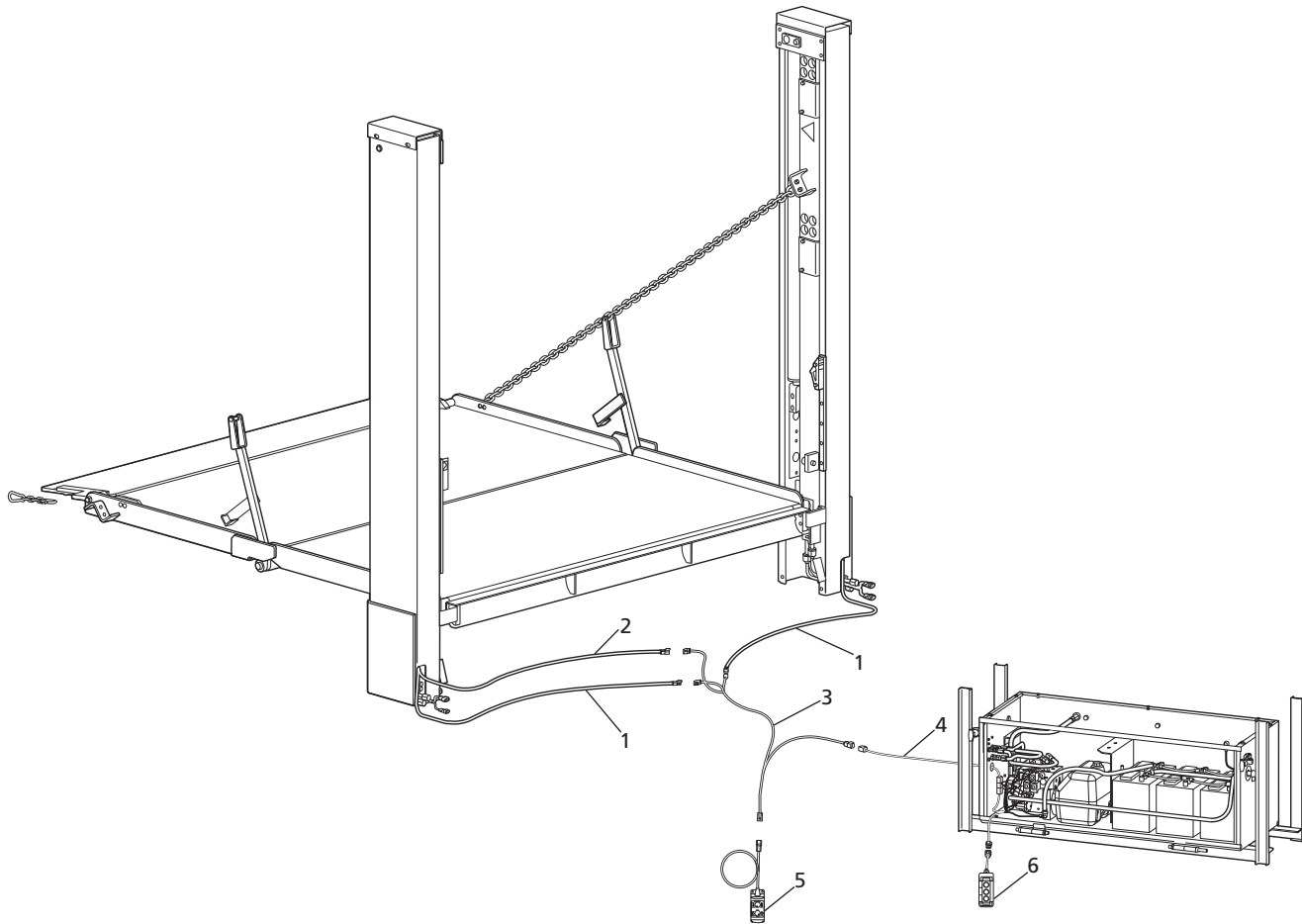
ITEM	DESCRIPTION	PART NUMBER	QTY
	Power Pack	XA-62961	1
1	O-Ring, 0.63" x 0.75" x 0.06" -016	XB-62927-02	2
2	Plug, Resev., Breather Filler	XB-62927-03	1
3	Strap, Motor Solenoid Connecting	XB-62927-04	2
4	4 Post Solenoid, Wire and Screw Kit	XB-62927-51	2
5	Plug, Valve Cavity, SAE #8	XB-62927-07	1
6	Plug, SAE O-Ring, 9/16" -18, Hex, SO	XB-62927-08	2
7	Wire Assembly, CNTRL, 1/2WR with Diodes	XA-58290	1
8	Coil, 10V DC, Grounded, Single Stud	XB-57905	5
9	Cartridge, 4W/2-P, #8, 1/2" Stem	XB-62927-09	1
10	Cartridge, 2W/2P, NC, Poppet, 4000	XA-59034	1
11	Cartridge 3W/2P, #8, 3000PSI	XB-62927-10	2
12	Valve, CK, Cart, Size 8, with Screen	XB-62927-11	2
13	Motor, DC, 12V, 4.5", 1 Term, Long	XB-62927-16	2
14	Gauge, Sight, 3/4" NPT	XB-62967-24	1
15	Valve Max, VM01 HDM10 T.95-210	XB-62967-29	2
16	Resev. 8" x 8" x 9", H/MT, M-300, 1 3/8 CL	XB-62967-30	1
17	Tube, Press Transfer, In-Line	XB-62967-31	1
18	Cartridge, 2W/2P, NC, Spool, 4000P	XB-62967-32	1
19	Base Assembly, M3598, PBP, STD MTR	XB-62967-34	1
20	Base Assembly, M3504, AP100, STD, MTR	XB-62967-35	1
21	Housing, Valve, 4W/4W, Cart, DBL P	XB-62967-36	1
22	Cover, Rear, AP 100 309, 0.375" NPT	XB-62967-40	2
23	Pin, Dowel, AP 100	XB-62967-41	8
24	Pump, AP 100, 2.2 PBP, No Cover, CW	XB-62967-42	1
25	O-Ring, Shaped, UP 100 and UP 110	XB-62967-43	2
26	Shaft, Intermediate, AP 100, DC	XB-62967-44	2
27	O-Ring, Shaped, Rear Cover, AP 100	XB-62967-45	2
28	Pump, AP 100, 1.7, PBP, No Cover, CW	XB-62967-46	1

20. DH45 Single Motor Power-Pack



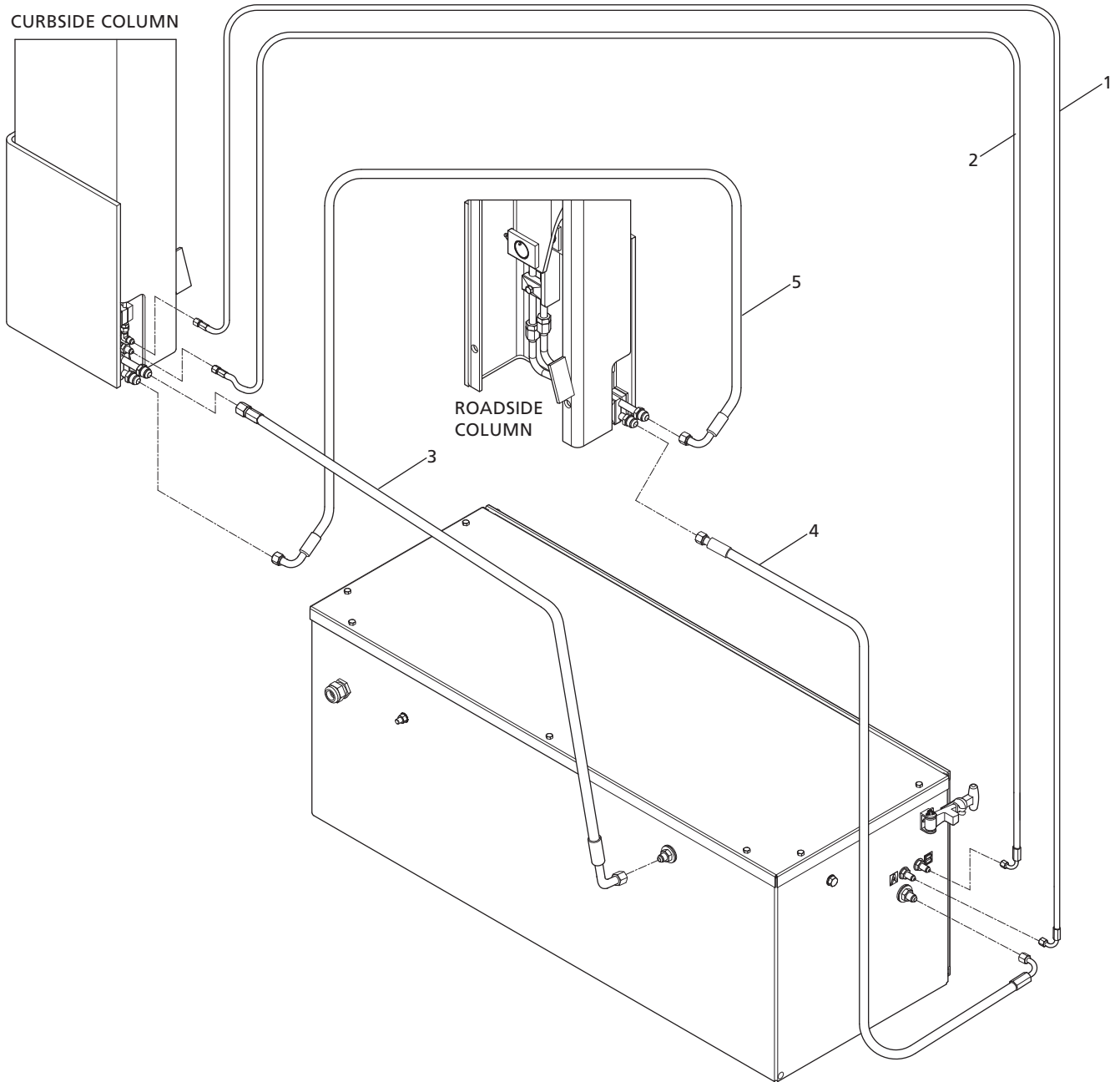
ITEM	DESCRIPTION	PART NUMBER	QTY
	Power Pack	XA-58829	1
1	HD Motor	XB-59075-01	1
2	Pilot Check Valve	XB-59075-04	4
3	Coil, Series 08, Single Stud	XB-59075-02	4
4	Valve Cartridge, Series 08, 2P 3-Way	XB-59075-03	2
5	Start Switch (Solenoid)	XB-57636	1
6	O-Ring Reservoir	XB-59075-18	1
7	Lower Manifold Assembly	XB-59075-10	1
8	Valve Body O-Ring Kit	XB-59075-19	1
9	Valve Cartridge, Poppet 2-Way	XB-59034	1
10	Upper Manifold Assembly	XB-59075-09	1
11	Coil, Series 10, Single Stud	XB-59075-06	1
12	Valve Cartridge, Series 10, 2P 4-Way	XB-59075-07	1
13	Valve Cartridge, Series 08, 2P 2-Way	XB-59075-05	1
14	Hydraulic Fluid Tube	XB-59075-13	1
15	Breather Cap	XB-57901	1
16	Reservoir Tank	XB-59223	1
17	Sight Glass Kit	XB-59075-12	1
18	Check Valve	XB-59075-21	1

21. Electrical Wiring Assembly and Parts List



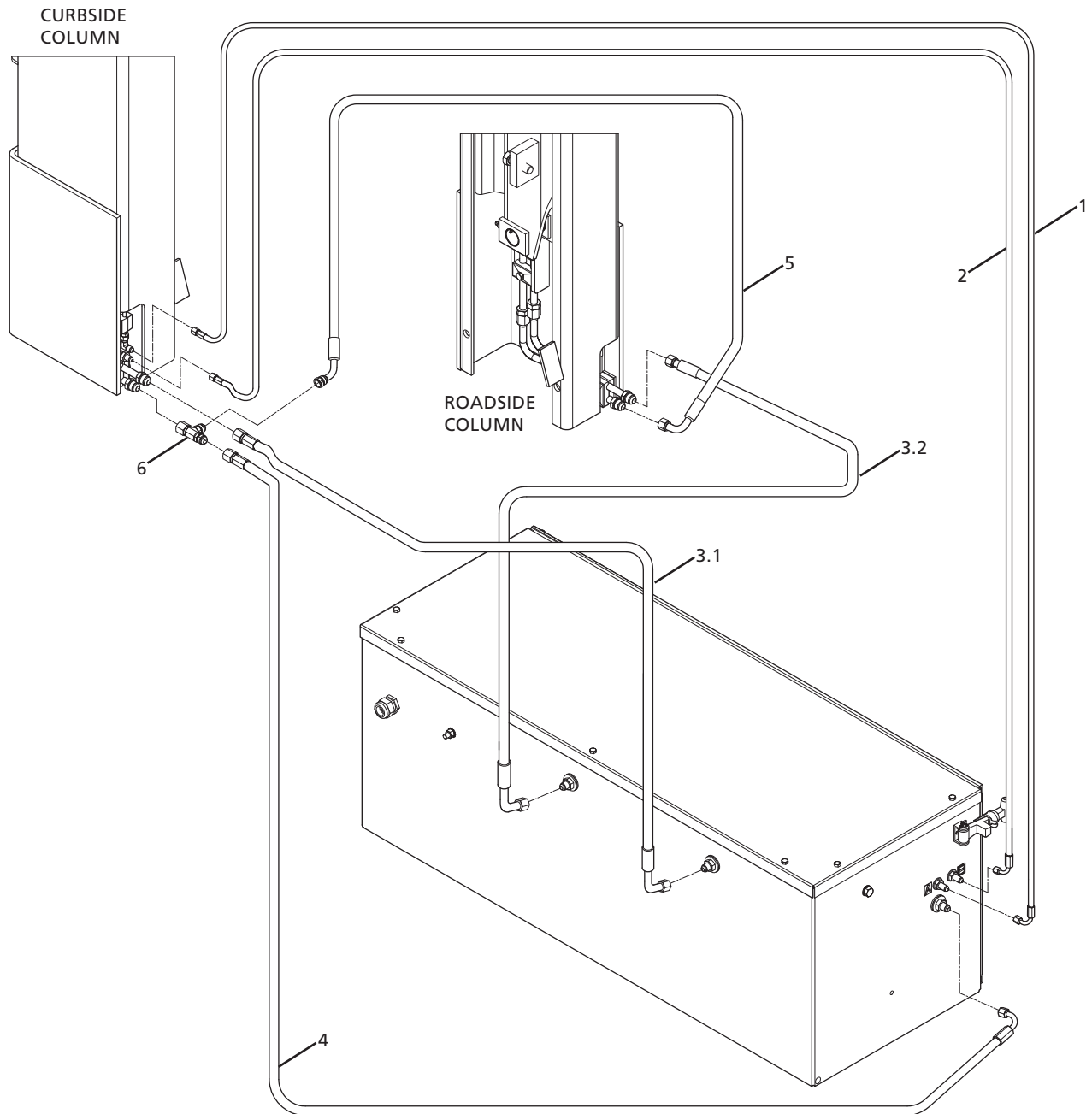
ITEM	DESCRIPTION	TRUCK INSTALL KIT	QTY	SEMI-TRAILER INSTALL KIT	QTY	PUP-TRAILER INSTALL KIT	QTY
1	Column Cylinder Cable	XA-58121	2	XA-58121	2	XA-58121	2
2	Column Switch Cable	XA-58127	1	XA-58127	1	XA-58127	1
3	5-Pt. Rear Harness	XA-58476	1	XA-58476	1	XA-58476	1
4	Pump-Box Cable	XA-58049-07200	1	XA-58049-28800	1	XA-58049-16800	1
5	Control Station	XA-59652	1	XA-59652	1	XA-59652	1
6	DH Back-Up, 3 Button Control Switch	2026200000050	1	2026200000050	1	2026200000050	1

22. Master Slave Hydraulic Hose Routing



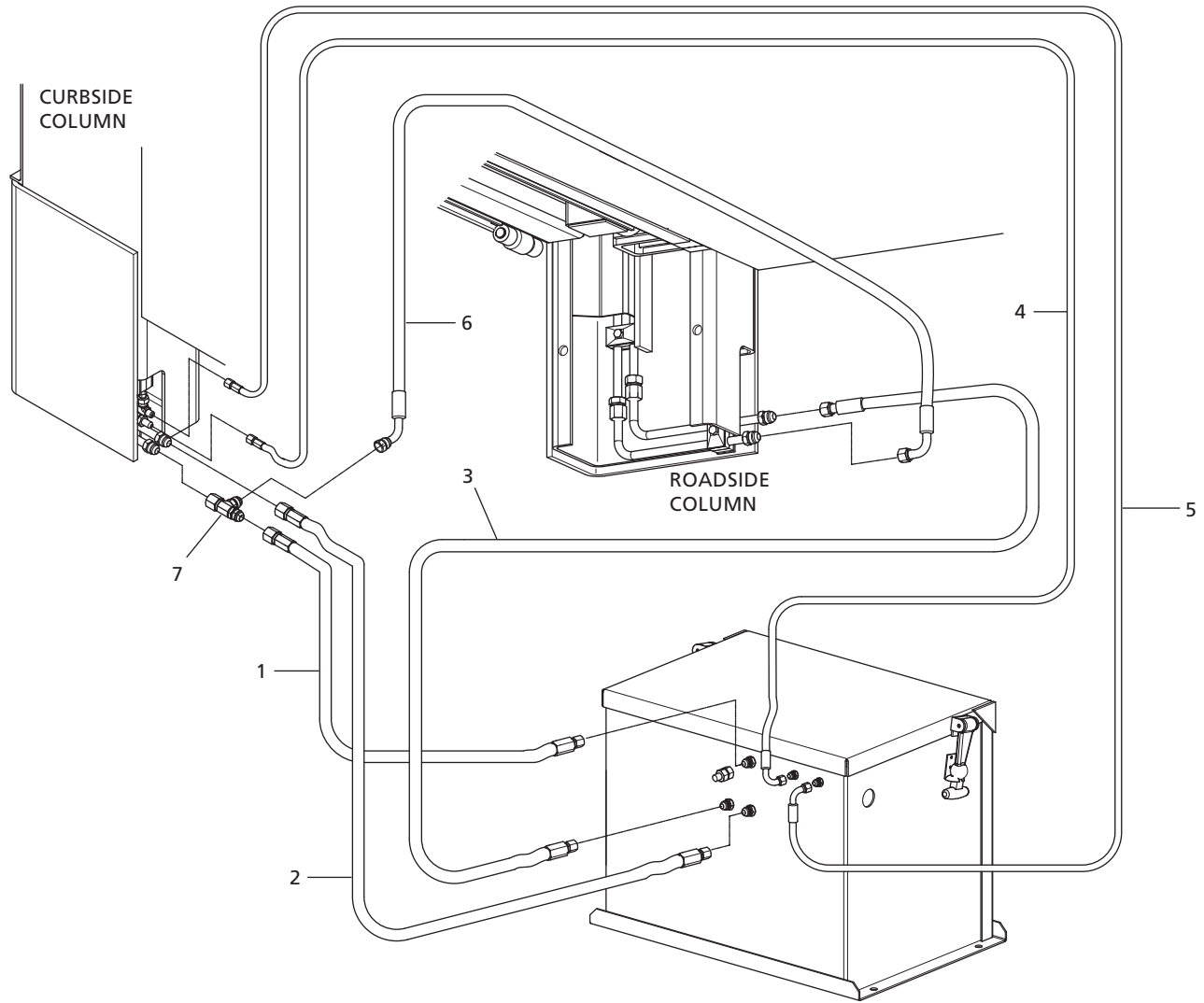
DESCRIPTION	ITEM 1	ITEM 2	ITEM 3	ITEM 4	ITEM 5
Truck Install Kit	XA-51610-40	XA-51610-40	XA-58120-16800	XA-58120-06000	XA-58130-13200
Semi-Trailer Install Kit	XA-58613-28800	XA-58613-28800	XA-58120-39600	XA-58120-30000	XA-58130-13200
Pup-Trailer Install Kit	XA-58613-16800	XA-58613-16800	XA-58120-27600	XA-58120-18000	XA-58130-13200
35' Trailer Install Kit	XA-58613-21600	XA-58613-21600	XA-58120-31200	XA-58120-27600	XA-58130-13200

23. Flow Dividing Hydraulic Hose Routing



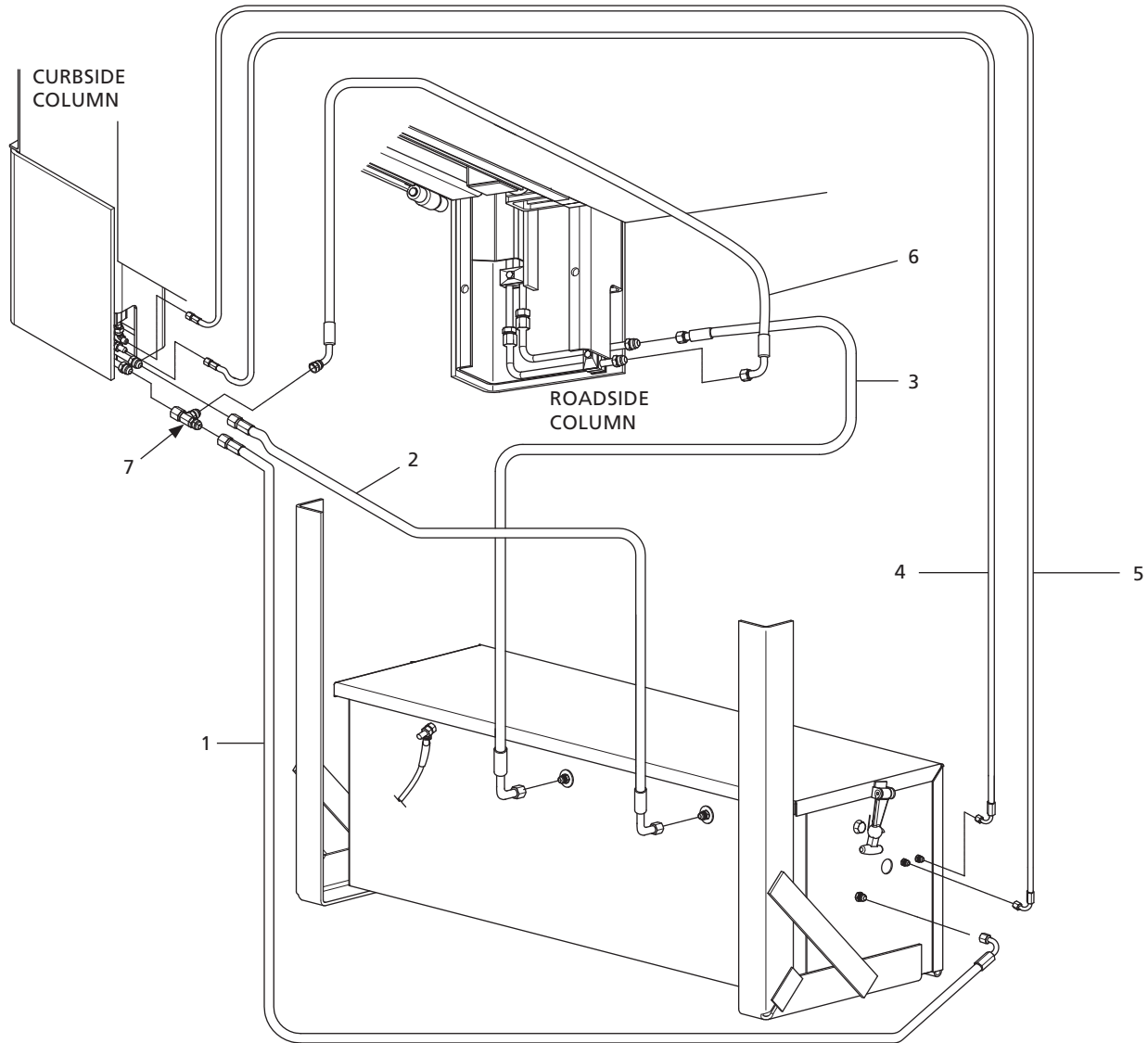
DESCRIPTION	ITEM 1	ITEM 2	ITEM 3.1	ITEM 3.2	ITEM 4	ITEM 5	ITEM 6
Truck Install Kit	XA-51610-40	XA-51610-40	XA-58120-06000	XA-58120-16800	XA-58120-06000	XA-58130-13200	XB-58126
Semi-Trailer Install Kit	XA-58613-28800	XA-58613-28800	XA-58120-39600	XA-58120-39600	XA-58120-30000	XA-58130-13200	XB-58126
Pup-Trailer Install Kit	XA-58613-16800	XA-58613-16800	XA-58120-27600	XA-58120-27600	XA-58120-18000	XA-58130-13200	XB-58126
35' Trailer Install Kit	XA-58613-21600	XA-58613-21600	XA-58120-31200	XA-58120-27600	XA-58120-27600	XA-58130-13200	XB-58126

24. DH45 Hydraulic Hose Routing



DESCRIPTION	ITEM 1 CS COLUMN LOW PRESSURE HYD HOSE	ITEM 2 CS COLUMN HIGH PRESSURE HYD HOSE	ITEM 3 RS COLUMN HIGH PRESSURE HYD HOSE	ITEM 4 CS COLUMN OPEN HYD HOSE	ITEM 5 CS COLUMN CLOSE HYD HOSE	ITEM 6 LOW PRESSURE CROSSOVER HYD HOSE	ITEM 7 CS COLUMN LOW PRESSURE HYD TEE
Truck Install Kit	XA-58120-06000	XA-58120-06000	XA-58120-16800	XA-58610-40	XA-58610-40	XA-58130-13200	XB-58126
Semi-Trailer Install Kit	XA-58120-30000	XA-58120-30000	XA-58120-39600	XA-58613-28800	XA-58613-28800	XA-58130-13200	XB-58126
Pup-Trailer Install Kit	XA-58120-18000	XA-58120-18000	XA-58120-27600	XA-58613-16800	XA-58613-16800	XA-58130-13200	XB-58126

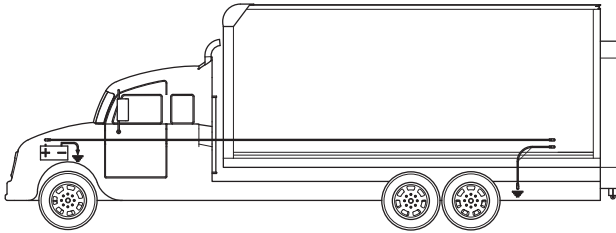
25. DH55 and DH66 Hydraulic Hose Routing



DESCRIPTION	ITEM 1 CS COLUMN LOW PRESSURE HYD HOSE	ITEM 2 CS COLUMN HIGH PRESSURE HYD HOSE	ITEM 3 RS COLUMN HIGH PRESSURE HYD HOSE	ITEM 4 CS COLUMN OPEN HYD HOSE	ITEM 5 CS COLUMN CLOSE HYD HOSE	ITEM 6 LOW PRESSURE CROSSOVER HYD HOSE	ITEM 7 CS COLUMN LOW PRESSURE HYD TEE
Truck Install Kit	XA-58120-06000	XA-58120-06000	XA-58120-16800	XA-51610-40	XA-51610-40	XA-58130-13200	XB-58126
Semi-Trailer Install Kit	XA-58120-30000	XA-58120-30000	XA-58120-39600	XA-58613-28800	XA-58613-28800	XA-58130-13200	XB-58126
Pup-Trailer Install Kit	XA-58120-18000	XA-58120-18000	XA-58120-27600	XA-58613-16800	XA-58613-16800	XA-58130-13200	XB-58126
35' Trailer Install Kit	XA-58120-27600	XA-58120-27600	XA-58120-30000	XA-58613-21600	XA-58613-21600	XA-58130-13200	XB-58126

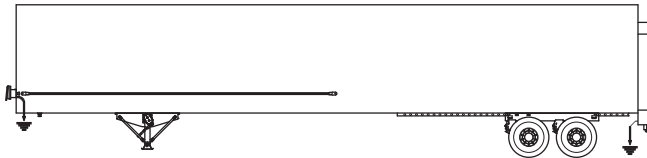
26. Accessory Kits

Truck Install Kit



DESCRIPTION	KIT PART NUMBER
Power Cable from Truck Battery Box to Liftgate Pump Box	AK-58438-01

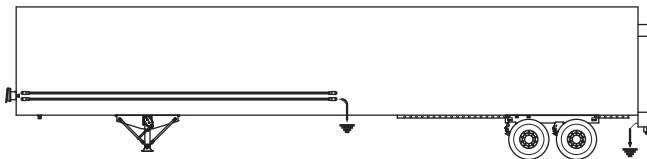
Single Pole Trailer Install Kits



DESCRIPTION	KIT PART NUMBER
Semi-trailer, Power Cable from Trailer Nose-box to Liftgate Pump-box	AK-58116-02
Pup-trailer, Power Cable from Trailer Nose-box to Liftgate Pump-box	AK-58116-08
Tri-axle Trailer, Power Cable from Trailer Nose-box to Liftgate Pump-box	AK-58116-13

NOTE: Includes single pole attachment; does not include trailer nose-box.

Dual Pole Trailer Install Kits



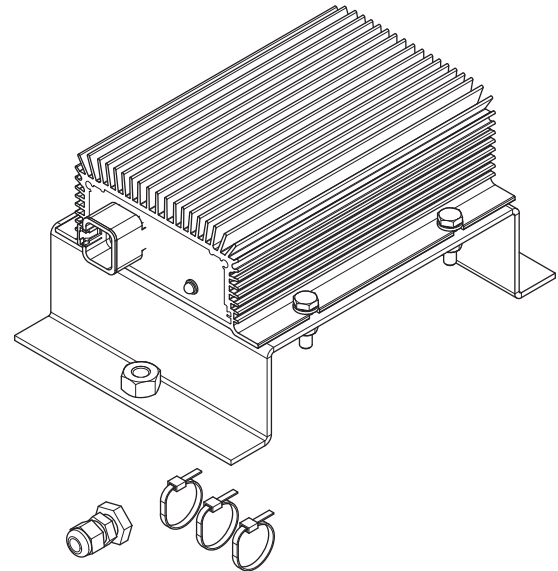
DESCRIPTION	KIT PART NUMBER
Semi-trailer, Power Cable from Trailer Nose-box to Liftgate Pump-box	AK-58116-03
Pup-trailer, Power Cable from Trailer Nose-box to Liftgate Pump-box	AK-58116-09
Tri-axle Trailer, Power Cable from Trailer Nose-box to Liftgate Pump-box	AK-58116-14

NOTE: Includes single pole attachment; does not include trailer nose-box.

Single and Dual Pole Trailer Nose-box Kit

DESCRIPTION	KIT PART NUMBER
Semi-trailer, Trailer Nose-box for both single and dual pole connectors	AK-59502-01

Trail Charger Kit



DESCRIPTION	KIT PART NUMBER
Auxiliary charging system, includes all wiring and mounting hardware	AK-59344

Remote Control Kit

DESCRIPTION	KIT PART NUMBER
Remote Control Kit, Truck	AK-59489-01
Remote Control Kit, Trailer	AK-59489-02



From fifth wheel rebuild kits to suspension bushing repair kits, SAF-HOLLAND Original Parts are the same quality components used in the original component assembly.

SAF-HOLLAND Original Parts are tested and designed to provide maximum performance and durability. Will-fits, look-alikes or, worse yet, counterfeit parts will only limit the performance potential and could possibly void SAF-HOLLAND's warranty. Always be sure to spec

SAF-HOLLAND Original Parts when servicing your SAF-HOLLAND product.

SAF-HOLLAND USA • 888.396.6501 • Fax 800.356.3929
www.safholland.us

SAF-HOLLAND CANADA • 519.537.3494 • Fax 800.565.7753
WESTERN CANADA • 604.574.7491 • Fax 604.574.0244
www.safholland.ca

SAF-HOLLAND MEXICO • +(52) 55.5362.8743 • Fax +(52) 55.5362.8743
www.safholland.com.mx

info@safholland.com