

Parts Manual

TG Series Liftgates

2500/3000/3500 Lb. Capacity



TG SERIES SINGLE CYLINDER



TG SERIES DUAL CYLINDER

| Contents | Page |
|---|------|
| Introduction..... | 3 |
| Warranty..... | 3 |
| Notes, Cautions, and Warnings..... | 3 |
| Section 1 – Model and Serial Number..... | 4 |
| Section 2 – Decal Part Numbers and Locations..... | 5 |
| Section 3 – TG 2500 Lb. Single Cylinder Parts List..... | 6 |

| Contents | Page |
|---|------|
| Section 4 – TG 3000 Lb. Dual Cylinder Parts List..... | 10 |
| Section 5 – TG 3500 Lb. Dual Cylinder Parts List..... | 14 |
| Section 6 – Hydraulics..... | 20 |
| Section 7 – TG Power Pack (Current)..... | 22 |
| Section 8 – TG Power Pack (Previous)..... | 23 |
| Section 9 – Accessory Kits..... | 24 |

Introduction

This manual provides you with information necessary for ordering the correct replacement parts for your SAF-HOLLAND TG Series Liftgate.

NOTE: For liftgate components replacement, contact SAF-HOLLAND Customer Service at:
 U.S. 888-396-6501
 Canada 800-503-9847

Warranty

Refer to the complete warranty for the country in which the product will be used. A copy of the warranty certificate is included with the product as well as on the SAF-HOLLAND website (www.safholland.us and www.safholland.ca). It may also be ordered directly from SAF-HOLLAND; the address is shown on the back cover.

Notes, Cautions, and Warnings

You must read and understand all of the safety procedures presented in this manual before operating or starting any work on the liftgate.

NOTE: In the United States, workshop safety requirements are defined by federal and/or state Occupational Safety and Health Act. Equivalent laws may exist in other countries. This manual is written based on the assumption that OSHA or other applicable employee safety regulations are followed by the location where work is performed.

Proper tools must be used to perform the maintenance and repair procedures described in this manual. Many of these procedures may require special tools.

IMPORTANT: Read this manual before using this product. Keep this manual in a safe location for future reference.

WARNING Failure to follow the instructions and safety precautions in this manual can result in death or serious injury.

Throughout this manual, you will notice the terms "NOTE," "IMPORTANT," "CAUTION," and "WARNING" followed by useful product information. So that you may better understand the manual, those terms are as follows:

NOTE: Includes additional information to enable accurate and easy performance of procedures.

IMPORTANT: Includes additional information that if not followed could lead to hindered product performance.

CAUTION Used without the safety alert symbol, indicates a potentially hazardous situation which, if not avoided, could result in property damage.

CAUTION Indicates a potentially hazardous situation which, if not avoided, could result in minor or moderate injury.

WARNING Indicates a potentially hazardous situation which, if not avoided, could result in death or serious injury.

1. Liftgate Model and Serial Number Location

Each SAF-HOLLAND liftgate has a stamped metal tag that identifies the liftgate model and serial number (**Figure 1**). This tag is attached to the front roadside of the main tube (**Figure 2**). In order to properly identify your Holland liftgate and its components when communicating with SAF-HOLLAND or your dealer, please record the model and serial numbers below and refer to them when ordering replacement parts.

Model Number

TG 25 48

Platform Size

- 36" Long
- 42" Long
- 45" Long
- 47" Long
- 48" Long
- 52" Long
- 61" Long

Capacity

- 2,500 lbs.
- 3,000 lbs.
- 3,500 lbs.

Model

Serial Number (Before November 1, 2008)

A 01 000123 N

Facility Code

Sequence Number

Year Code

Month Code

Serial Number (After November 1, 2008)

92 02 312 0123

Sequence Number

Day of Year

Year Code

Facility Code

Equipment Model No.: _____

Serial No.: _____

Pump Model No.: _____

Serial No.: _____

Purchase Date: _____

Dealer: _____

Figure 1

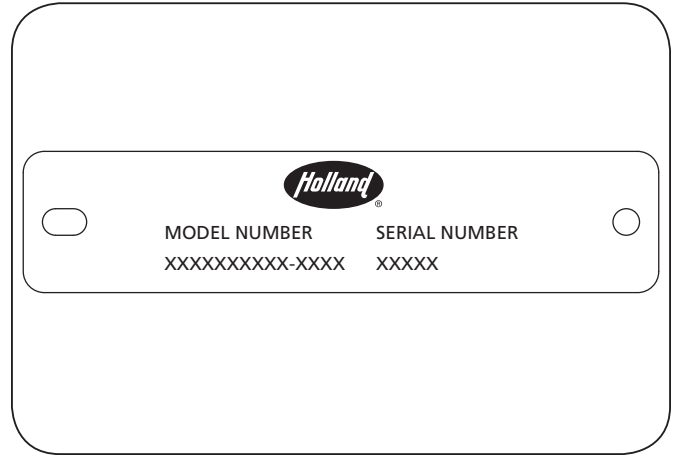
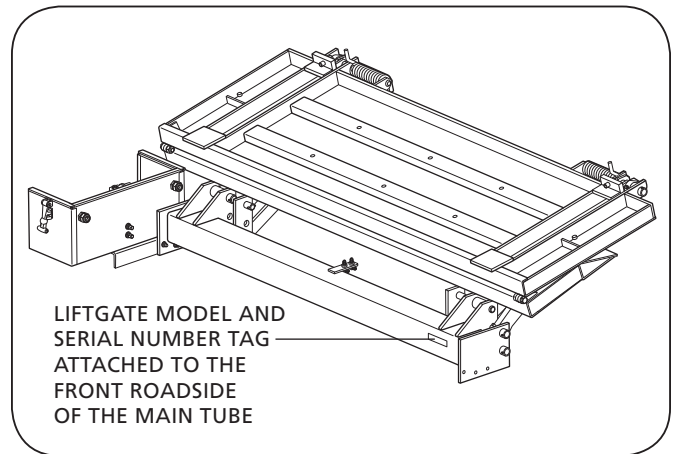


Figure 2



2. Decal Part Numbers and Locations

IMPORTANT: All decals must be installed, maintained, and kept visible and legible.

Prior to putting the vehicle into service, install all supplied decals listed in the table below (**Figures 3, 4 and 5**).

| DECAL | QTY | ENGLISH | FRENCH | DESCRIPTION |
|-------|-----|----------|----------|------------------------------|
| A | 2 | XB-50341 | XB-50348 | Max. Capacity 2500 lbs. |
| | 2 | XB-50340 | XB-50347 | Max. Capacity 3000 lbs. |
| | 2 | XB-57537 | XB-57538 | Max. Capacity 3500 lbs. |
| B | 2 | XB-51170 | XB-57067 | Pinch Point |
| C | 1 | XB-54995 | XB-64388 | High Pressure Fluid |
| D | 2 | XB-50528 | XA-62611 | Safety Latches |
| E | 1 | XB-50346 | XB-50353 | WARNING |
| F | 1 | XB-50345 | XB-50352 | Instructions |
| G | 1 | XB-50344 | XB-50349 | CAUTION - Always Stand Clear |

Figure 3

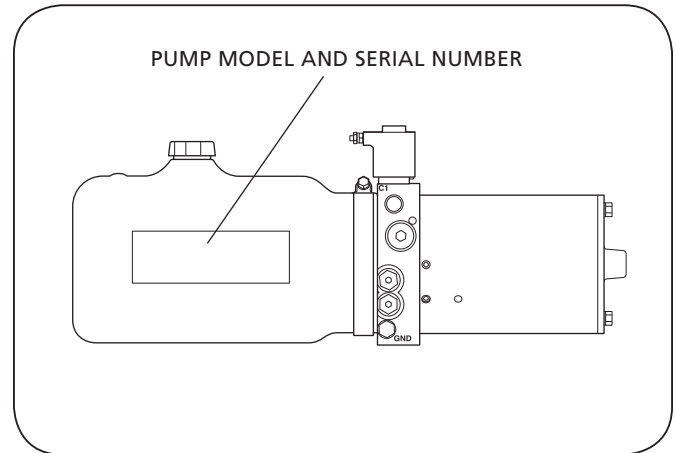


Figure 4

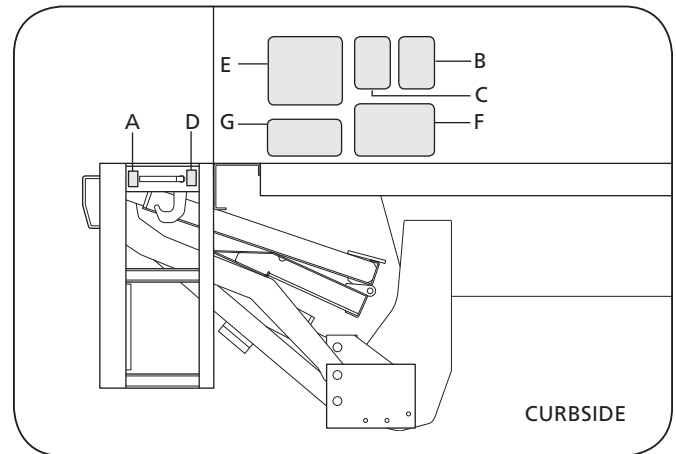
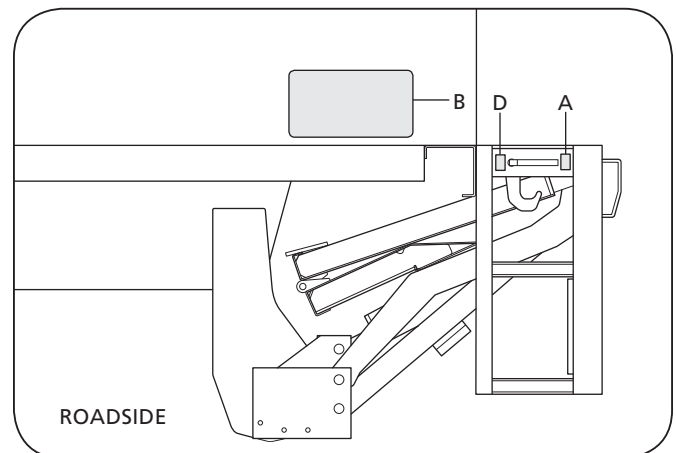
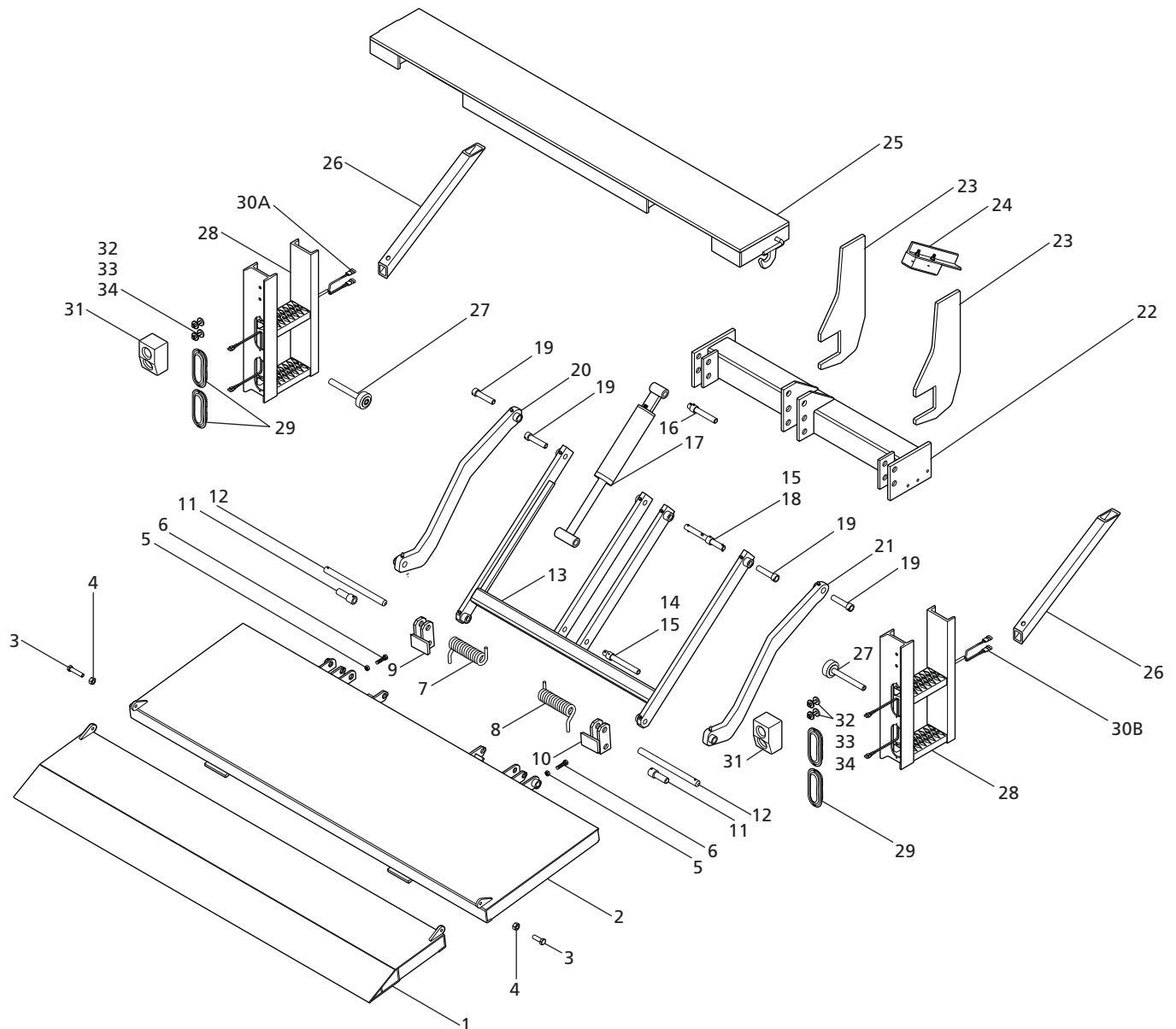


Figure 5



3. TG 2500 Lb. Single Cylinder



| ITEM | DESCRIPTION | TG25361A LOW MOUNT STEEL PLATFORM STEEL FLIP-OVER | QTY | TG25471 STEEL PLATFORM STEEL FLIP-OVER | QTY | TG25521N STEEL PLATFORM STEEL FLIP-OVER (12" FLAT & 12" RAMP) | QTY | TG25521M STEEL PLATFORM STEEL FLIP-OVER (17" FLAT & 7" RAMP) | QTY |
|------|--------------------------|--|-----|--|-----|--|-----|---|-----|
| 1 | Flip-Over Assembly | XA-50000 | 1 | XA-50546 | 1 | XA-51307 | 1 | XA-51312 | 1 |
| 2 | Platform Assembly | XA-50784 | 1 | XA-50682 | 1 | XA-51735 | 1 | XA-51735-02 | 1 |
| 3 | Bolt 5/8" -18 x 2" | XB-0127 | 2 | XB-0127 | 2 | XB-0127 | 2 | XB-0127 | 2 |
| 4 | Lock Nut 5/8" -18 | XB-0104 | 2 | XB-0104 | 2 | XB-0104 | 2 | XB-0104 | 2 |
| 5 | Nut, Platform Adjusting | XF-32-063F8-P | 2 | XF-32-063F8-P | 2 | XF-32-063F8-P | 2 | XF-32-063F8-P | 2 |
| 6 | Bolt, Platform Adjusting | XF-19-062F8-300P | 2 | XB-0127 | 2 | XB-0127 | 2 | XB-0127 | 2 |

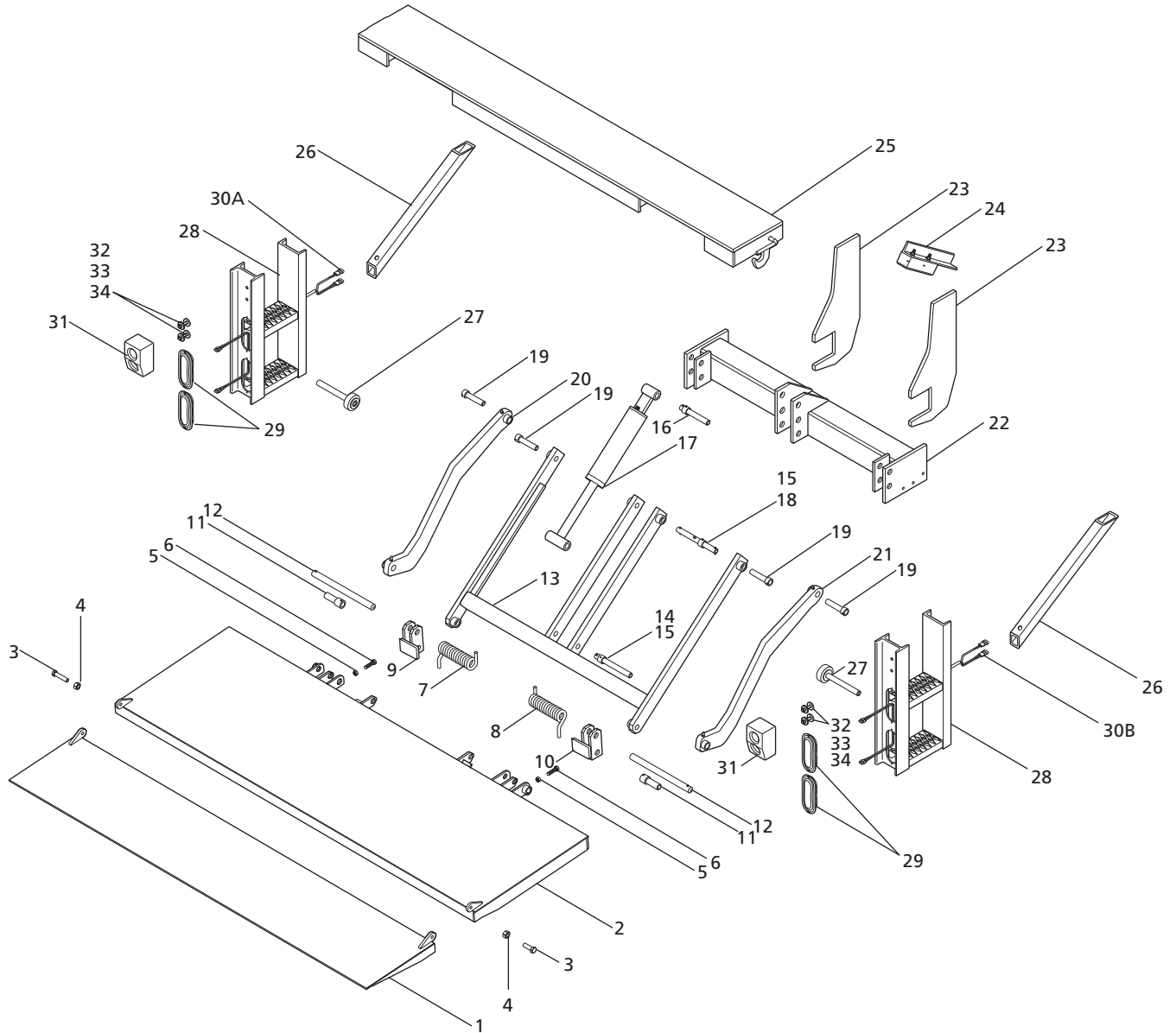


| ITEM | DESCRIPTION | TG25361A LOW MOUNT STEEL PLATFORM STEEL FLIP-OVER | QTY | TG25471 STEEL PLATFORM STEEL FLIP-OVER | QTY | TG25521N STEEL PLATFORM STEEL FLIP-OVER (12" FLAT & 12" RAMP) | QTY | TG25521M STEEL PLATFORM STEEL FLIP-OVER (17" FLAT & 7" RAMP) | QTY |
|------|--------------------------------------|--|-----|--|-----|--|-----|---|-----|
| 7 | Spring, Torsion, Roadside | XB-50009 | 1 | XB-51112 | 1 | XB-51112 | 1 | XB-51112 | 1 |
| 8 | Spring, Torsion, Curbside | XB-50008 | 1 | XB-51111 | 1 | XB-51111 | 1 | XB-51111 | 1 |
| 9 | Shackle, Roadside | XA-57752 | 1 | XA-57743 | 1 | XA-57744 | 1 | XA-57744 | 1 |
| 10 | Shackle, Curbside | XA-57753 | 1 | XA-57744 | 1 | XA-57743 | 1 | XA-57743 | 1 |
| 11 | Pin, Shackle | XA-50415 | 2 | XA-50676 | 2 | XA-50676 | 2 | XA-50676 | 2 |
| 12 | Pin, Torsion Spring | XA-50378 | 2 | XA-51719 | 2 | XA-51719 | 2 | XA-51719 | 2 |
| 13 | Lift Frame Assembly | XA-50019 | 1 | XA-50652 | 1 | XA-51733 | 1 | XA-51733 | 1 |
| 14 | Pin, Cylinder, Rod End | XA-50020 | 1 | XA-50020 | 1 | XA-51728 | 1 | XA-51728 | 1 |
| 15 | Pin, Roll 1/4" Dia. x 1-1/2" Long | XB-21-S-250-1500 | 6 | XB-21-S-250-1500 | 6 | XB-21-S-250-1500 | 6 | XB-21-S-250-1500 | 6 |
| 16 | Pin, Cylinder, Bore End | XA-50283 | 1 | XA-50283 | 1 | XA-50582 | 1 | XA-50582 | 1 |
| 17 | Cylinder* | RK-59010-01 | 1 | RK-59010-01 | 1 | RK-59010-02 | 1 | RK-59010-02 | 1 |
| 18 | Pin, Lift Frame/Main Frame | XA-50021 | 1 | XA-50679 | 1 | XA-57074 | 2 | XA-57074 | 2 |
| 19 | Pin, Parallel Arm/Main Frame | XA-50410 | 4 | XA-50410 | 4 | XA-50410 | 2 | XA-50410 | 2 |
| 20 | Lift Arm, Roadside | XA-50017 | 1 | XA-50671 | 1 | XA-50932 | 1 | XA-50932 | 1 |
| 21 | Lift Arm, Curbside | XA-50018 | 1 | XA-50672 | 1 | XA-50933 | 1 | XA-50933 | 1 |
| 22 | Main Frame Assembly | XA-57085 | 1 | XA-57085 | 1 | XA-57012 | 1 | XA-57012 | 1 |
| 23 | Attaching Plates | XA-50146 | 2 | XA-50973 | 2 | XA-50973 | 2 | XA-50973 | 2 |
| 24 | Anti-Bounce Kit | XA-50369 | 1 | XA-50369 | 1 | XA-50369 | 1 | XA-50369 | 1 |
| 25 | Deck Extension | XA-57051 | 1 | XA-57051 | 1 | XA-57052 | 1 | XA-57052 | 1 |
| 26 | Step Brace | XA-51772-01 | 2 | XA-51772-01 | 2 | XA-51772-01 | 2 | XA-51772-01 | 2 |
| 27 | Platform Opener | XA-50935 | 2 | XA-50935 | 2 | XA-50935 | 2 | XA-50935 | 2 |
| 28A | 5" Step (with provisions for lights) | XA-59848-01 | 2 | XA-59848-01 | 2 | XA-59848-01 | 2 | XA-59848-01 | 2 |
| 28B | 5" Steps (not shown) | XA-57910 | 2 | XA-57910 | 2 | XA-57910 | 2 | XA-57910 | 2 |
| 28C | 3" Steps (not shown) | XA-50045 | 2 | XA-50045 | 2 | XA-50045 | 2 | XA-50045 | 2 |
| 28D | 2' Steps (not shown) | XA-50044 | 2 | XA-50044 | 2 | XA-50044 | 2 | XA-50044 | 2 |
| 29A | Red LED Light | XB-59025 | - | XB-59025 | - | XB-59025 | - | XB-59025 | - |
| 29B | White LED Light | XB-59475 | - | XB-59475 | - | XB-59475 | - | XB-59475 | - |
| 29C | Red Incandescent Light | XB-58624 | - | XB-58624 | - | XB-58624 | - | XB-58624 | - |
| 29D | White Incandescent Light | XB-58625 | - | XB-58625 | - | XB-58625 | - | XB-58625 | - |
| 30A | Step Light Harness, Roadside | XA-59049-01 | 1 | XA-59049-01 | 1 | XA-59049-01 | 1 | XA-59049-01 | 1 |
| 30B | Step Light Harness, Curbside | XA-59049-02 | 1 | XA-59049-02 | 1 | XA-59049-02 | 1 | XA-59049-02 | 1 |
| 31 | Rubber Bumper | XB-59164 | 2 | XB-59164 | 2 | XB-59164 | 2 | XB-59164 | 2 |
| 32 | Plate Washer, 1/2", Galvanized | XB-59417 | 8 | XB-59417 | 8 | XB-59417 | 8 | XB-59417 | 8 |
| 33 | Lock Nut, 7/16" UNC, Plated | XF-31-043CC-P | 4 | XF-31-043CC-P | 4 | XF-31-043CC-P | 4 | XF-31-043CC-P | 4 |
| 34 | HHCS, 7/16"-14, 2" Long, Plated | XF-01-044C5-200P | 4 | XF-01-044C5-200P | 4 | XF-01-044C5-200P | 4 | XF-01-044C5-200P | 4 |

*Includes rod and bore end fittings.

NOTE: Galvanized deck extensions, platforms, flip-over, lift arms, lift-frame, main-frame, and steps are available. Contact SAF-HOLLAND for part numbers.

3.1 TG 2500 Lb. Single Cylinder (Wedge)



| ITEM | DESCRIPTION | TG2548W STEEL PLATFORM STEEL FLIP-OVER | QTY |
|------|--------------------------|--|-----|
| 1 | Flip-Over Assembly | XA-62893 | 1 |
| 2 | Platform Assembly | XA-57076 | 1 |
| 3 | Bolt 5/8" -18 x 2" | XB-0127 | 2 |
| 4 | Lock Nut 5/8" -18 | XB-0104 | 2 |
| 5 | Nut, Platform Adjusting | XF-32-063F8-P | 2 |
| 6 | Bolt, Platform Adjusting | XB-0127 | 2 |

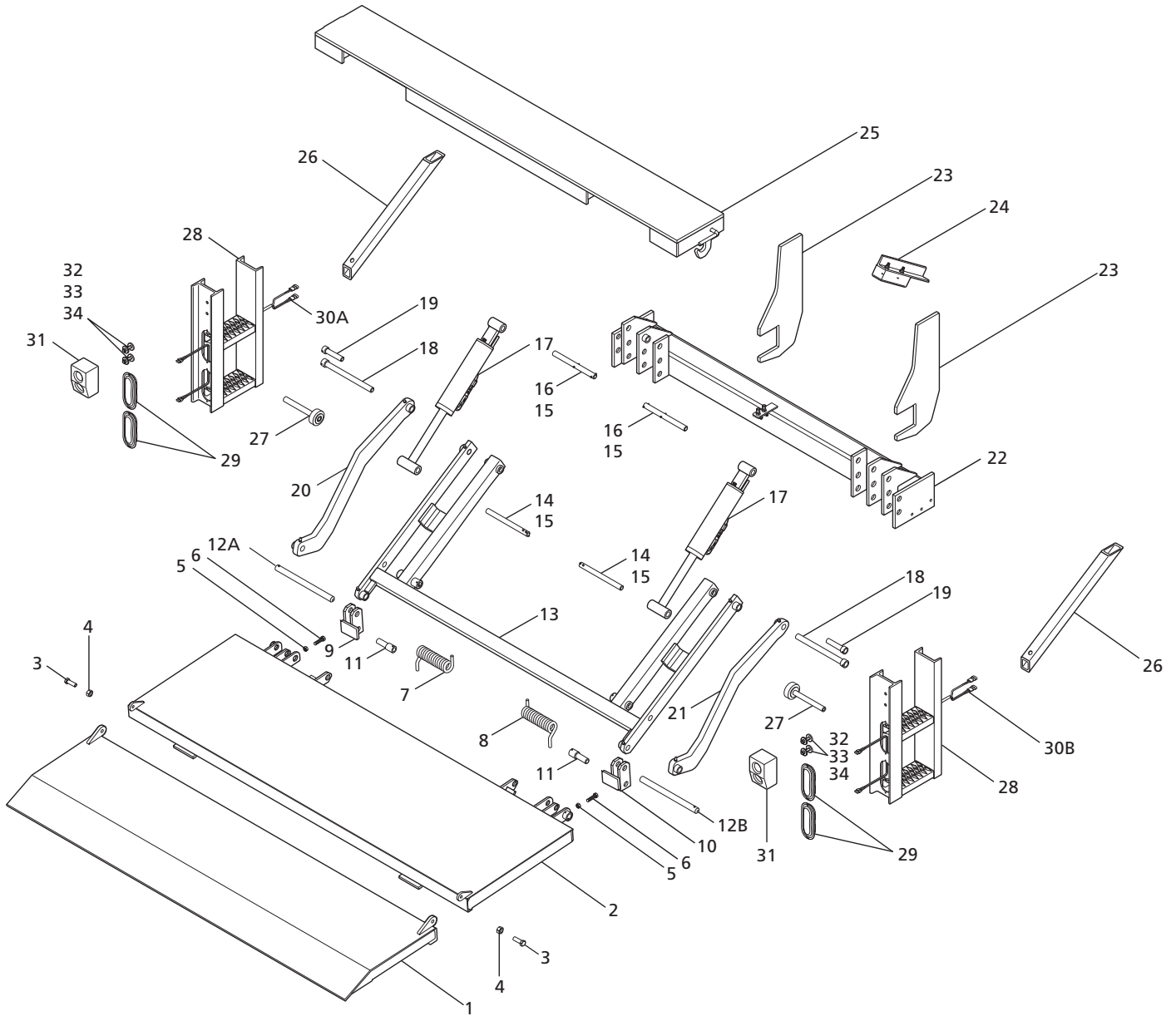


| ITEM | DESCRIPTION | TG2548W STEEL PLATFORM STEEL FLIP-OVER | QTY |
|------|---|--|-----|
| 7 | Spring, Torsion, Roadside | XB-51112 | 1 |
| 8 | Spring, Torsion, Curbside | XB-51111 | 1 |
| 9 | Shackle, Roadside | XA-57813 | 1 |
| 10 | Shackle, Curbside | XA-57814 | 1 |
| 11 | Pin, Shackle | XA-50676 | 2 |
| 12 | Pin, Torsion Spring | XA-51719 | 2 |
| 13 | Lift Frame Assembly | XA-50652 | 1 |
| 14 | Pin, Cylinder, Rod End | XA-50020 | 1 |
| 15 | Pin, Roll 1/4" Diameter x 1-1/2" Long | XB-21-S-250-1500 | 9 |
| 16 | Pin, Cylinder, Bore End | XA-50283 | 1 |
| 17 | Cylinder* | RK-59010-01 | 1 |
| 18 | Pin, Lift Frame/Main Frame | XA-50679 | 1 |
| 19 | Pin, Parallel Arm/Main Frame | XA-50410 | 4 |
| 20 | Lift Arm, Roadside | XA-50671 | 1 |
| 21 | Lift Arm, Curbside | XA-50672 | 1 |
| 22 | Main Frame Assembly | XA-57085 | 1 |
| 23 | Attaching Plates | XA-50973 | 2 |
| 24 | Anti-Bounce Kit | XA-50369 | 1 |
| 25 | Deck Extension | XA-57051 | 1 |
| 26 | Step Brace | XA-51772-01 | 2 |
| 27 | Platform Opener | XA-50935 | 2 |
| 28A | 5" Steps (with provisions for lights) | XA-59848-01 | 2 |
| 28B | 5" Steps (not shown) | XA-57910 | 2 |
| 28C | 3" Steps (not shown) | XA-50045 | 2 |
| 28D | 2' Steps (not shown) | XA-50044 | 2 |
| 29A | Red LED Light | XB-59025 | - |
| 29B | White LED Light | XB-59475 | - |
| 29C | Red Incandescent Light | XB-58624 | - |
| 29D | White Incandescent Light | XB-58625 | - |
| 30A | Step Light Harness, Roadside | XA-59049-01 | 1 |
| 30B | Step Light Harness, Curbside | XA-59049-02 | 1 |
| 31 | Rubber Bumper | XB-59164 | 2 |
| 32 | Plate Washer, 1/2", Galvanized | XB-59417 | 8 |
| 33 | Lock Nut, 7/16" UNC, Plated | XF-31-043CC-P | 4 |
| 34 | Hex Head Cap Screw, 7/16" - 14, 2" Long, Plated | XF-01-044C5-200P | 4 |

*Includes rod and bore end fittings.

NOTE: Galvanized deck extensions, platforms, flip-over, lift arms, lift-frame, main-frame, and steps are available. Contact SAF-HOLLAND for part numbers.

4. TG 3000 Lb. Dual Cylinder



| ITEM | DESCRIPTION | TG30471 STEEL PLATFORM STEEL FLIP-OVER | QTY | TG30473 STEEL PLATFORM ALUMINUM FLIP-OVER | QTY | TG30521 STEEL PLATFORM STEEL FLIP-OVER | QTY |
|------|---------------------------|--|-----|---|-----|--|-----|
| 1 | Flip-Over Assembly | XA-50546 | 1 | XA-50491 | 1 | XA-51948 | 1 |
| 2 | Platform Assembly | XA-51735 | 1 | XA-57410 | 1 | XA-57647 | 1 |
| 3 | Bolt 5/8" -18 x 2" | XB-0127 | 2 | XB-0127 | 2 | XB-01-0625F5-309 | 2 |
| 4 | Lock Nut 5/8"-18 | XB-0104 | 2 | XB-0104 | 2 | XB-0104 | 2 |
| 5 | Nut, Platform Adjusting | XF-32-063F8-P | 2 | XF-32-063F8-P | 2 | XB-E-540 | 4 |
| 6 | Bolt, Platform Adjusting | XB-0127 | 2 | XB-0127 | 2 | XF-19-062F8-300P | 2 |
| 7 | Spring, Torsion, Roadside | XB-51112 | 1 | XB-51112 | 1 | XB-51483 | 1 |
| 8 | Spring, Torsion, Curbside | XB-51111 | 1 | XB-51111 | 1 | XB-51484 | 1 |

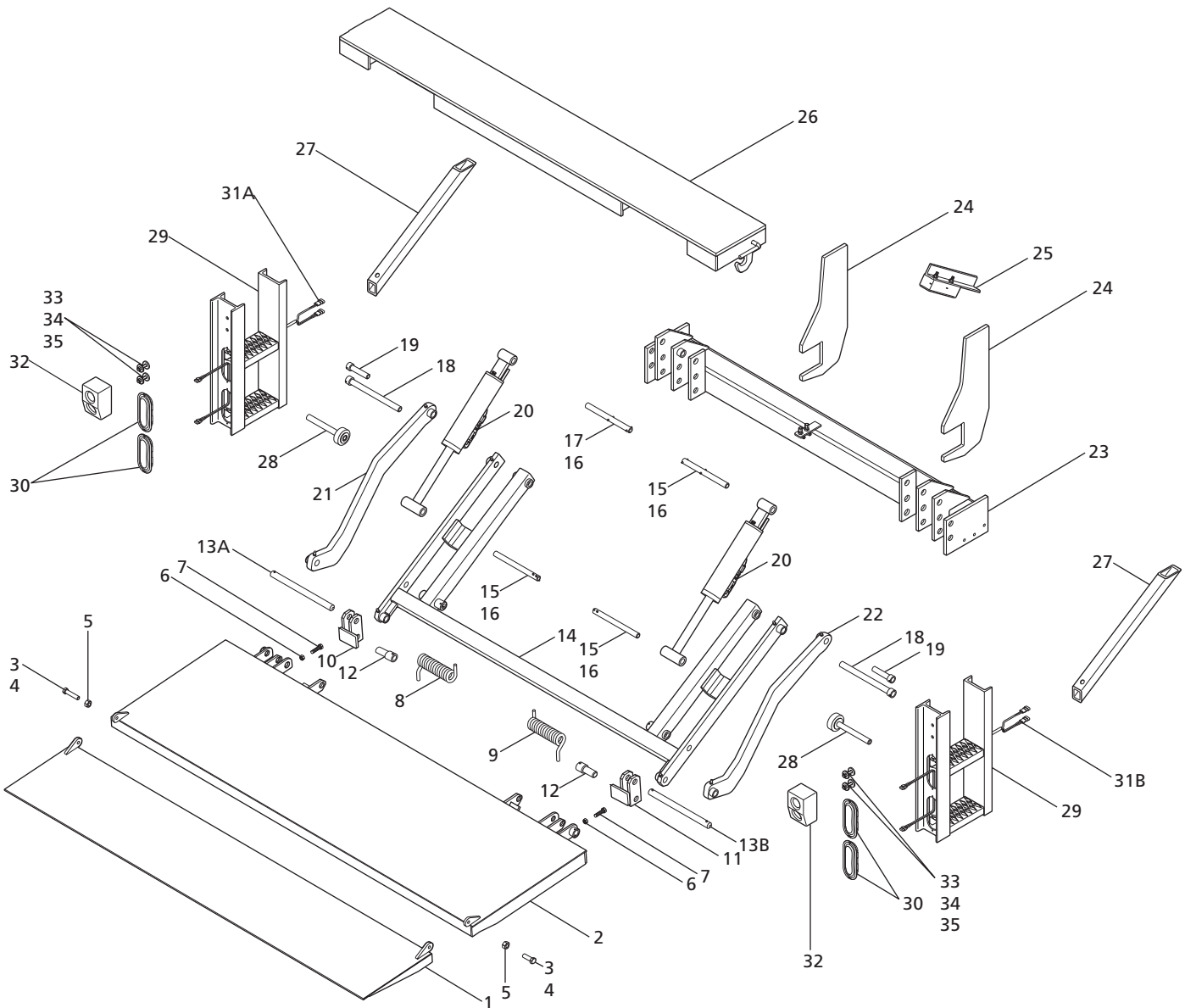


| ITEM | DESCRIPTION | TG30471 STEEL PLATFORM STEEL FLIP-OVER | QTY | TG30473 STEEL PLATFORM ALUMINUM FLIP-OVER | QTY | TG30521 STEEL PLATFORM STEEL FLIP-OVER | QTY |
|------|---------------------------------------|--|-----|---|-----|--|-----|
| 9 | Shackle, Roadside | XA-57744 | 1 | XA-57744 | 1 | XA-57648 | 1 |
| 10 | Shackle, Curbside | XA-57743 | 1 | XA-57743 | 1 | XA-57648 | 1 |
| 11 | Pin, Shackle | XA-50676 | 2 | XA-50676 | 2 | XA-50556 | 2 |
| 12A | Pin, Torsion Spring, Roadside | XA-51719 | 1 | XA-51719 | 1 | XA-62934 | 1 |
| 12B | Pin, Torsion Spring, Curbside | XA-51719 | 1 | XA-51719 | 1 | XA-62934 | 1 |
| 12C | Pin, Lift Frame to Platform | N/A | – | N/A | – | XA-50556 | 2 |
| 13 | Lift Frame Assembly | XA-51733 | 1 | XA-51733 | 1 | XA-50890 | 1 |
| 14 | Pin, Cylinder, Rod End | XA-51728 | 2 | XA-51728 | 2 | XA-50583 | 2 |
| 15 | Pin, Roll 1/4" Dia. x 1-1/2" Long | XB-21-S-250-1500 | 2 | XB-21-S-250-1500 | 2 | XB-21-S-250-1500 | 2 |
| 16 | Pin, Cylinder, Bore End | XA-50582 | 2 | XA-50582 | 2 | XA-50582 | 2 |
| 17 | Cylinder* | RK-59010-02 | 2 | RK-59010-02 | 2 | RK-59010-02 | 2 |
| 18 | Pin, Lift Frame/Main Frame | XA-57074 | 2 | XA-57074 | 2 | XA-50903 | 2 |
| 19 | Pin, Parallel Arm/Main Frame | XA-50410 | 2 | XA-50410 | 2 | XA-50559 | 2 |
| 20 | Lift Arm, Roadside | XA-50932 | 1 | XA-50932 | 1 | XA-50894 | 1 |
| 21 | Lift Arm, Curbside | XA-50933 | 1 | XA-50933 | 1 | XA-50895 | 1 |
| 22 | Main Frame Assembly | XA-57012 | 1 | XA-57012 | 1 | XA-57072 | 1 |
| 23 | Attaching Plates | XA-50973 | 2 | XA-50973 | 2 | XA-50973 | 2 |
| 24 | Anti-Bounce Kit | XA-50369 | 1 | XA-50369 | 1 | XA-50369 | 1 |
| 25 | Deck Extension | XA-57052 | 1 | XA-57052 | 1 | XA-58506 | 1 |
| 26 | Step Brace | XA-51772-01 | 2 | XA-51772-01 | 2 | XA-51772-01 | 2 |
| 27 | Platform Opener | XA-50935 | 2 | XA-50935 | 2 | XA-50935 | 2 |
| 28A | 5" Steps (with provisions for lights) | XA-59848-01 | 2 | XA-59848-01 | 2 | XA-59848-01 | 2 |
| 28B | 5" Steps (not shown) | XA-57910 | 2 | XA-57910 | 2 | XA-57910 | 2 |
| 28C | 3" Steps (not shown) | XA-50045 | 2 | XA-50045 | 2 | XA-50045 | 2 |
| 28D | 2' Steps (not shown) | XA-50044 | 2 | XA-50044 | 2 | XA-50044 | 2 |
| 29A | Red LED Light | XB-59025 | – | XB-59025 | – | XB-59025 | – |
| 29B | White LED Light | XB-59475 | – | XB-59475 | – | XB-59475 | – |
| 29C | Red Incandescent Light | XB-58624 | – | XB-58624 | – | XB-58624 | – |
| 29D | White Incandescent Light | XB-58625 | – | XB-58625 | – | XB-58625 | – |
| 30A | Step Light Harness, Roadside | XA-59049-01 | 1 | XA-59049-01 | 1 | XA-59049-01 | 1 |
| 30B | Step Light Harness, Curbside | XA-59049-02 | 1 | XA-59049-02 | 1 | XA-59049-02 | 1 |
| 31 | Rubber Bumper | XB-59164 | 2 | XB-59164 | 2 | XB-59164 | 2 |
| 32 | Plate Washer, 1/2", Galvanized | XB-59417 | 8 | XB-59417 | 8 | XB-59417 | 8 |
| 33 | Lock Nut, 7/16" UNC, Plated | XF-31-043CC-P | 4 | XF-31-043CC-P | 4 | XF-31-043CC-P | 4 |
| 34 | HHCS, 7/16" -14, 2" Long, Plated | XF-01-044C5-200P | 4 | XF-01-044C5-200P | 4 | XF-01-044C5-200P | 4 |

*Includes rod and bore end fittings.

NOTE: Galvanized deck extensions, platforms, flip-over, lift arms, lift-frame, main-frame, and steps are available. Contact SAF-HOLLAND for part numbers.

4.1 TG 3000 Lb. Dual Cylinder (Wedge)



| ITEM | DESCRIPTION | TG3048A ALUMINUM PLATFORM ALUMINUM FLIP-OVER | QTY | TG3048F STEEL PLATFORM ALUMINUM FLIP-OVER | QTY | TG3048W STEEL PLATFORM STEEL FLIP-OVER | QTY |
|------|-------------------------------|--|-----|---|-----|--|-----|
| 1 | Flip-Over Assembly | N/A | - | XA-51496 | 1 | XA-62893 | 1 |
| 2 | Platform Assembly | XA-59486 | 1 | XA-62964-03 | 1 | XA-51813 | 1 |
| 3A | Bolt 5/8" -18 x 2" | N/A | - | N/A | - | XB-0127 | 2 |
| 3B | Shoulder Screw 5/8", 1/2" -13 | N/A | - | XF-05-062C8-225B | 2 | N/A | - |
| 4 | Flat Washer 1/2" | N/A | - | XF-41-050-5P | 2 | N/A | - |
| 5A | Lock Nut 5/8" -18 | N/A | - | N/A | - | XB-0104 | 2 |
| 5B | Lock Nut 1/2" -13 | N/A | - | XF-31-050C8-P | 2 | N/A | - |
| 6 | Nut, Platform Adjusting | XF-32-063F8-P | 2 | XF-32-063F8-P | 2 | XF-32-063F8-P | 2 |
| 7 | Bolt, Platform Adjusting | XB-0127 | 2 | XB-0127 | 2 | XB-0127 | 2 |

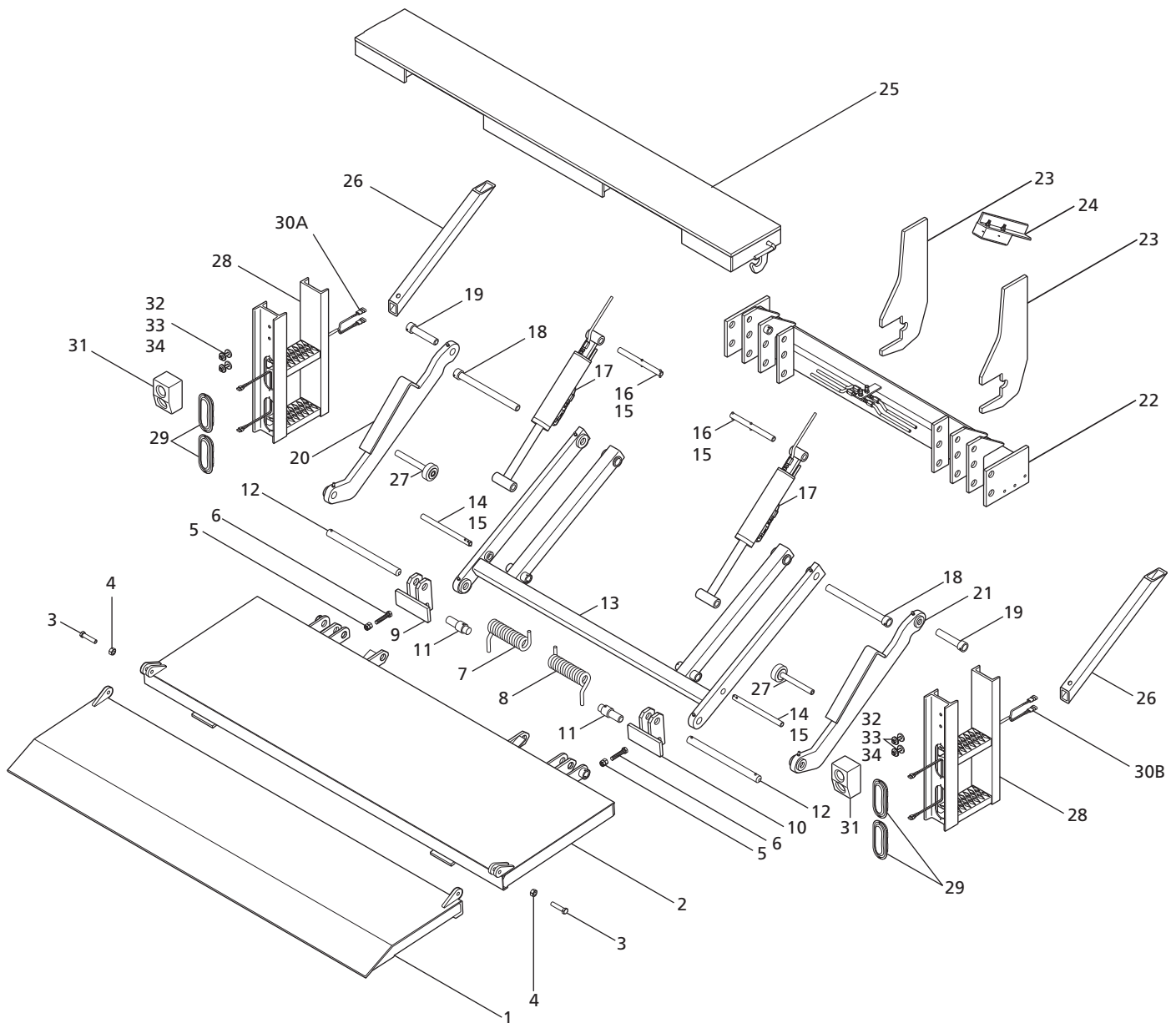


| ITEM | DESCRIPTION | TG3048A ALUMINUM PLATFORM ALUMINUM FLIP-OVER | QTY | TG3048F STEEL PLATFORM ALUMINUM FLIP-OVER | QTY | TG3048W STEEL PLATFORM STEEL FLIP-OVER | QTY |
|------|---------------------------------------|--|-----|---|-----|--|-----|
| 8 | Spring, Torsion, Roadside | N/A | – | XB-51112 | 1 | XB-51112 | 1 |
| 9 | Spring, Torsion, Curbside | XB-50008 | 1 | XB-51111 | 1 | XB-51111 | 1 |
| 10 | Shackle, Roadside | XA-59563 | 1 | XA-51719 | 1 | XA-51719 | 1 |
| 11 | Shackle, Curbside | XA-57743 | 1 | XA-51719 | 1 | XA-51719 | 1 |
| 12 | Pin, Shackle | XA-50676 | 2 | XA-50676 | 2 | XA-50676 | 2 |
| 13A | Pin, Torsion Spring, Roadside | N/A | 1 | XA-58041 | 1 | XA-58041 | 1 |
| 13B | Pin, Torsion Spring, Curbside | XA-59568 | 1 | XA-58041 | 1 | XA-58041 | 1 |
| 14 | Lift Frame Assembly | XA-51733 | 1 | XA-51733 | 1 | XA-51733 | 1 |
| 15 | Pin, Cylinder, Rod End | XA-51728 | 2 | XA-51728 | 2 | XA-51728 | 2 |
| 16 | Pin, Roll 1/4" Dia. x 1-1/2" Long | XB-21-S-250-1500 | 2 | XB-21-S-250-1500 | 10 | XB-21-S-250-1500 | 10 |
| 17 | Pin, Cylinder, Bore End | XA-50582 | 2 | XA-50582 | 2 | XA-50582 | 2 |
| 18 | Pin, Lift Frame/Main Frame | XA-57074 | 2 | XA-57074 | 2 | XA-57074 | 2 |
| 19 | Pin, Parallel Arm/Main Frame | XA-50410 | 2 | XA-50410 | 2 | XA-50410 | 2 |
| 20 | Cylinder* | RK-59010-02 | 2 | RK-59010-02 | 2 | RK-59010-02 | 2 |
| 21 | Lift Arm, Roadside | XA-50932 | 1 | XA-50932 | 1 | XA-50932 | 1 |
| 22 | Lift Arm, Curbside | XA-50933 | 1 | XA-50933 | 1 | XA-50933 | 1 |
| 23 | Main Frame Assembly | XA-57012 | 1 | XA-57012 | 1 | XA-57012 | 1 |
| 24 | Attaching Plates | XA-50973 | 2 | XA-50973 | 2 | XA-50973 | 2 |
| 25 | Anti-Bounce Kit | XA-50369 | 1 | XA-50369 | 1 | XA-50369 | 1 |
| 26 | Deck Extension | XA-57052 | 1 | XA-57052 | 1 | XA-57052 | 1 |
| 27 | Step Brace | XA-51772-01 | 2 | XA-51772-01 | 2 | XA-51772-01 | 2 |
| 28 | Platform Opener | XA-50935 | 2 | XA-50935 | 2 | XA-50935 | 2 |
| 29A | 5" Steps (with provisions for lights) | XA-59848-01 | 2 | XA-59848-01 | 2 | XA-59848-01 | 2 |
| 29B | 5" Steps (not shown) | XA-57910 | 2 | XA-57910 | 2 | XA-57910 | 2 |
| 29C | 3" Steps (not shown) | XA-50045 | 2 | XA-50045 | 2 | XA-50045 | 2 |
| 29D | 2' Steps (not shown) | XA-50044 | 2 | XA-50044 | 2 | XA-50044 | 2 |
| 30A | Red LED Light | XB-59025 | – | XB-59025 | – | XB-59025 | – |
| 30B | White LED Light | XB-59475 | – | XB-59475 | – | XB-59475 | – |
| 30C | Red Incandescent Light | XB-58624 | – | XB-58624 | – | XB-58624 | – |
| 30D | White Incandescent Light | XB-58625 | – | XB-58625 | – | XB-58625 | – |
| 31A | Step Light Harness, Roadside | XA-59049-01 | 1 | XA-59049-01 | 1 | XA-59049-01 | 1 |
| 31B | Step Light Harness, Curbside | XA-59049-02 | 1 | XA-59049-02 | 1 | XA-59049-02 | 1 |
| 32 | Rubber Bumper | XB-59164 | 2 | XB-59164 | 2 | XB-59164 | 2 |
| 33 | Plate Washer, 1/2", Galvanized | XB-59417 | 8 | XB-59417 | 8 | XB-59417 | 8 |
| 34 | Lock Nut, 7/16" UNC, Plated | XF-31-043CC-P | 4 | XF-31-043CC-P | 4 | XF-31-043CC-P | 4 |
| 35 | HHCS, 7/16"-14, 2" Long, Plated | XF-01-044C5-200P | 4 | XF-01-044C5-200P | 4 | XF-01-044C5-200P | 4 |

*Includes rod and bore end fittings.

NOTE: Galvanized deck extensions, platforms, flip-over, lift arms, lift-frame, main-frame, and steps are available. Contact SAF-HOLLAND for part numbers.

5. TG 3500 Lb. Dual Cylinder



| ITEM | DESCRIPTION | TG35471 STEEL PLATFORM STEEL FLIP-OVER | QTY |
|------|--------------------------|--|-----|
| 1 | Flip-Over Assembly | XA-50546 | 1 |
| 2 | Platform Assembly | XA-57647 | 1 |
| 3 | Bolt 5/8" -18 x 2" | XF-01-062C5-300P | 2 |
| 4 | Jam Nut 5/8" -18 | XB-0104 | 2 |
| 5 | Nut, Platform Adjusting | XB-E-540 | 4 |
| 6 | Bolt, Platform Adjusting | XF-19-062F8-300P | 2 |

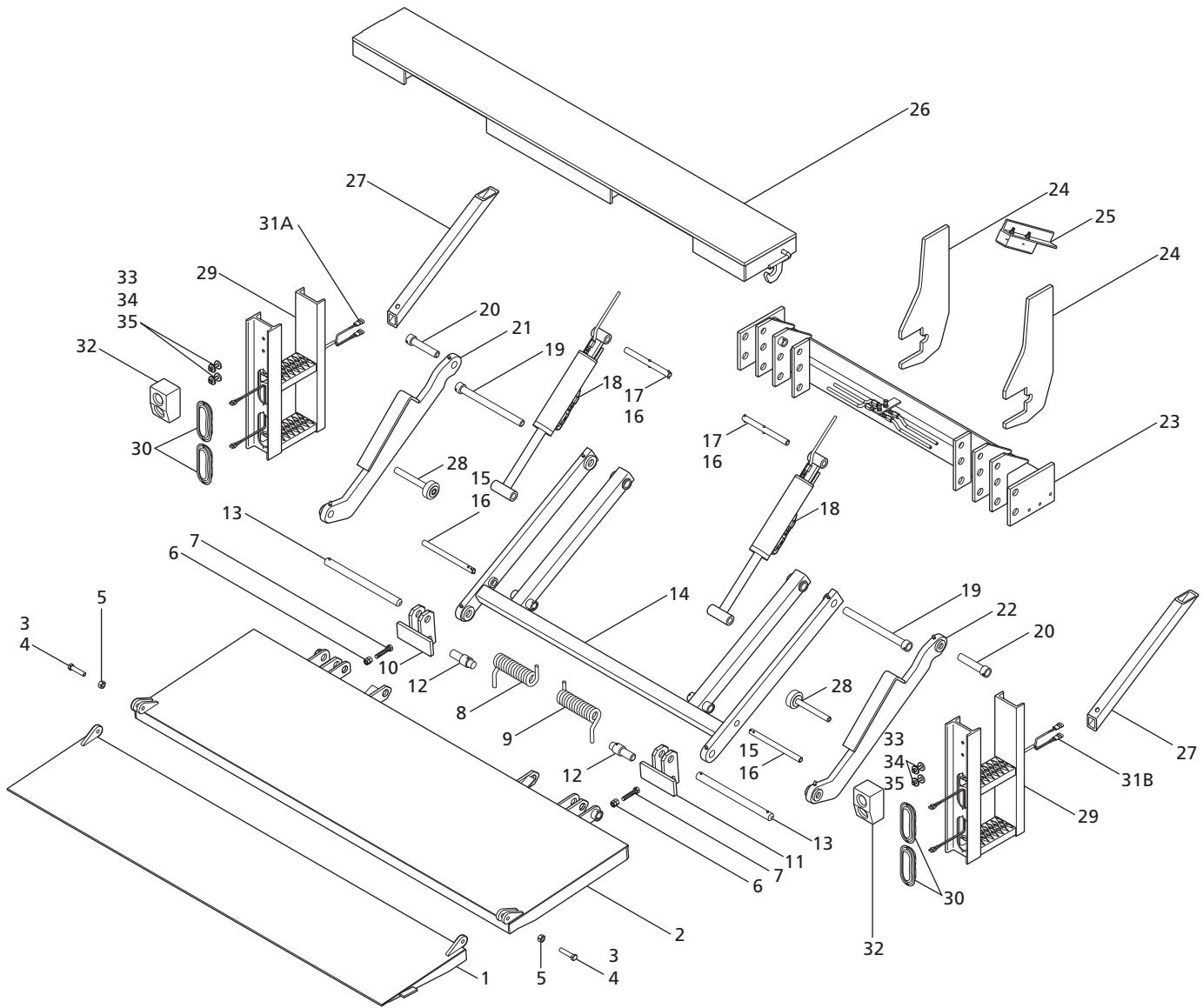


| ITEM | Description | TG35471 Steel Platform Steel Flip-over | QTY |
|------|---|--|-----|
| 7 | Spring, Torsion, Roadside | XB-51483 | 1 |
| 8 | Spring, Torsion, Curbside | XB-51484 | 1 |
| 9 | Shackle, Roadside | XA-57648 | 1 |
| 10 | Shackle, Curbside | XA-57648 | 1 |
| 11 | Pin, Shackle | XA-50556 | 2 |
| 12 | Pin, Torsion Spring | XA-62934 | 2 |
| 13 | Lift Frame Assembly | XA-50890 | 1 |
| 14 | Pin, Cylinder, Rod End | XA-50583 | 2 |
| 15 | Pin, Roll 1/4" Diameter x 1-1/2" Long | XB-21-S-250-1500 | 2 |
| 16 | Pin, Cylinder, Bore End | XA-50582 | 2 |
| 17 | Cylinder* | RK-59010-02 | 2 |
| 18 | Pin, Lift Frame/Main Frame | XA-50903 | 2 |
| 19 | Pin, Parallel Arm/Main Frame | XA-50559 | 2 |
| 20 | Parallel Lift Arm, Roadside | XA-50894 | 1 |
| 21 | Parallel Lift Arm, Curbside | XA-50895 | 1 |
| 22 | Main Frame Assembly | XA-57072 | 1 |
| 23 | Attaching Plates | XA-50973 | 2 |
| 24 | Anti-Bounce Kit | XA-50369 | 1 |
| 25 | Deck Extension | XA-58506 | 1 |
| 26 | Step Brace | XA-51772-01 | 2 |
| 27 | Platform Opener | XA-50935 | 2 |
| 28A | 5" Steps (with provisions for lights) | XA-59848-01 | 2 |
| 28B | 5" Steps (not shown) | XA-59845-01 | 2 |
| 28C | 3" Steps (not shown) | XA-50045 | 2 |
| 28D | 2' Steps (not shown) | XA-50044 | 2 |
| 29A | Red LED Light | XB-59025 | - |
| 29B | White LED Light | XB-59475 | - |
| 29C | Red Incandescent Light | XB-58624 | - |
| 29D | White Incandescent Light | XB-58625 | - |
| 30A | Step Light Harness, Roadside | XA-59049-01 | 1 |
| 30B | Step Light Harness, Curbside | XA-59049-02 | 1 |
| 31 | Rubber Bumper | XB-59164 | 2 |
| 32 | Plate Washer, 1/2", Galvanized | XB-59417 | 8 |
| 33 | Lock Nut, 7/16" UNC, Plated | XF-31-043CC-P | 4 |
| 34 | Hex Head Cap Screw, 7/16" - 14, 2" Long, Plated | XF-01-044C5-200P | 4 |

*Includes rod and bore end fittings.

NOTE: Galvanized deck extensions, platforms, flip-over, lift arms, lift-frame, main-frame, and steps are available. Contact SAF-HOLLAND for part numbers.

5.1 TG 3500 Lb. Dual Cylinder (Wedge)



| ITEM | DESCRIPTION | TG3548W STEEL PLATFORM STEEL FLIP-OVER | QTY | TG3548F STEEL PLATFORM ALUMINUM FLIP-OVER | QTY |
|------|-------------------------------|--|-----|---|-----|
| 1 | Flip-Over Assembly | XA-62692 | 1 | XA-51496 | 1 |
| 2 | Platform Assembly | XA-62690 | 1 | XA-62964-05 | 1 |
| 3A | Bolt 5/8" -18 x 2" | XF-01-062C5-300P | 2 | N/A | - |
| 3B | Shoulder Screw 5/8" -1/2" -13 | N/A | - | XF-05-062C8-225B | 2 |
| 4 | Flat Washer 1/2" | N/A | - | XF-41-050-5P | 2 |
| 5A | Lock Nut 5/8" -18 | XB-0104 | 2 | N/A | - |
| 5B | Lock Nut 1/2" -13 | N/A | - | XF-31-050C8-P | 2 |
| 6 | Nut, Platform Adjusting | XB-E-540 | 4 | XB-E-540 | 4 |
| 7 | Bolt, Platform Adjusting | XF-19-062F8-300P | 2 | XF-19-062F8-300P | 2 |

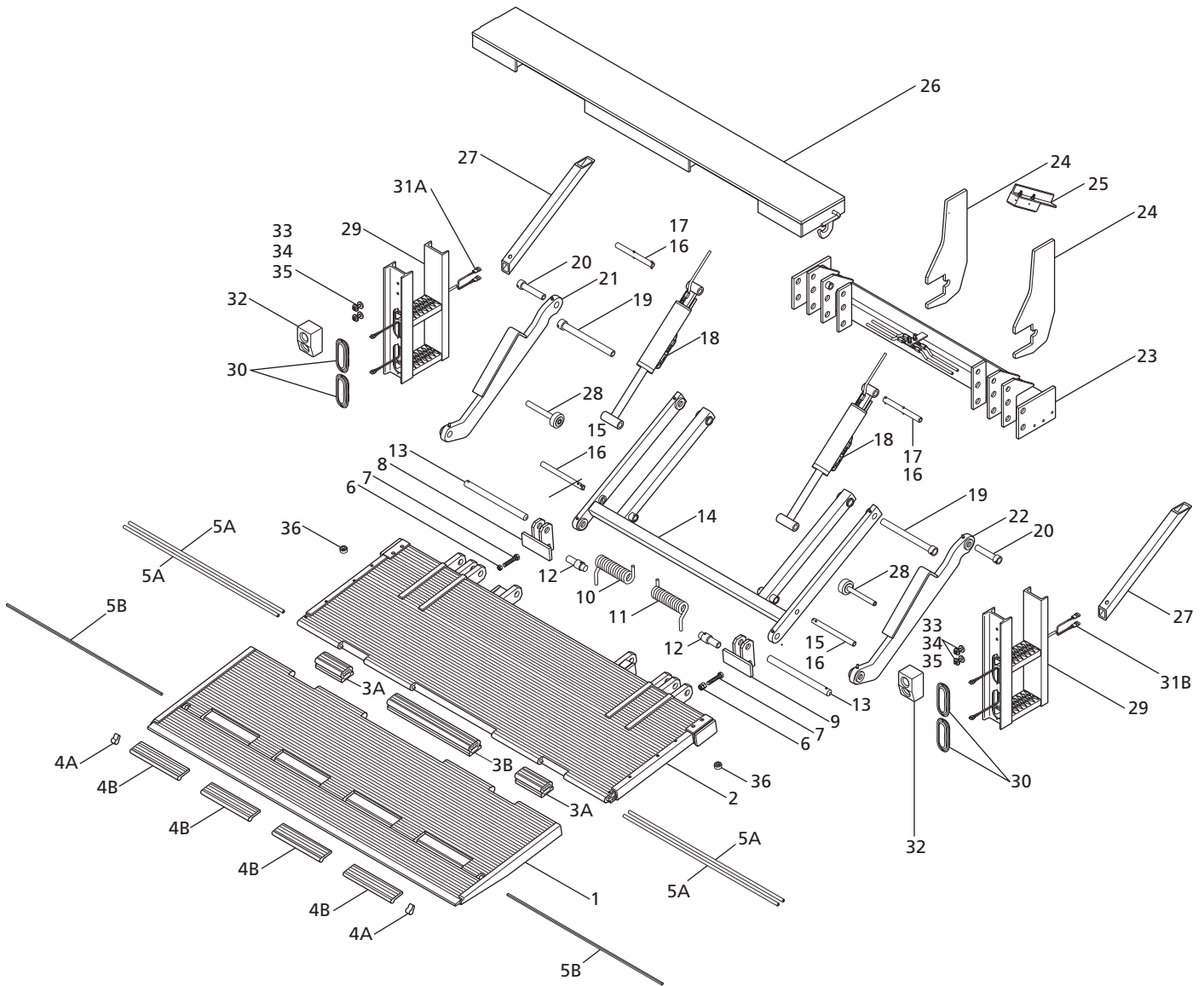


| ITEM | DESCRIPTION | TG3548W STEEL PLATFORM STEEL FLIP-OVER | QTY | TG3548F STEEL PLATFORM ALUMINUMFLIP-OVER | QTY |
|------|---|--|-----|--|-----|
| 8 | Spring, Torsion, Roadside | XB-51483 | 1 | XB-51483 | 1 |
| 9 | Spring, Torsion, Curbside | XB-51484 | 1 | XB-51484 | 1 |
| 10 | Shackle, Roadside | XA-58388 | 1 | XA-58388 | 1 |
| 11 | Shackle, Curbside | XA-58388 | 1 | XA-58388 | 1 |
| 12 | Pin, Shackle | XA-50556 | 2 | XA-50556 | 2 |
| 13 | Pin, Torsion Spring | XA-62934 | 2 | XA-62934 | 2 |
| 14 | Lift Frame Assembly | XA-50890 | 1 | XA-50890 | 1 |
| 15 | Pin, Cylinder, Rod End | XA-50583 | 2 | XA-50583 | 2 |
| 16 | Pin, Roll 1/4" Diameter x 1-1/2" Long | XB-21-S-250-1500 | 8 | XB-21-S-250-1500 | 8 |
| 17 | Pin, Cylinder, Bore End | XA-50582 | 2 | XA-50582 | 2 |
| 18 | Cylinder* | RK-59010-02 | 2 | RK-59010-02 | 2 |
| 19 | Pin, Lift Frame/Main Frame | XA-50903 | 2 | XA-50903 | 2 |
| 20 | Pin, Parallel Arm/Main Frame | XA-50559 | 2 | XA-50559 | 2 |
| 21 | Parallel Lift Arm, Roadside | XA-50894 | 1 | XA-50894 | 1 |
| 22 | Parallel Lift Arm, Curbside | XA-50895 | 1 | XA-50895 | 1 |
| 23 | Main Frame Assembly | XA-57072 | 1 | XA-57072 | 1 |
| 24 | Attaching Plates | XA-50973 | 2 | XA-50973 | 2 |
| 25 | Anti-Bounce Kit | XA-50369 | 1 | XA-50369 | 1 |
| 26 | Deck Extension | XA-58506 | 1 | XA-58506 | 1 |
| 27 | Step Brace | XA-51772-01 | 2 | XA-51772-01 | 2 |
| 28 | Platform Opener | XA-50935 | 2 | XA-50935 | 2 |
| 29A | 5" Steps (with provisions for lights) | XA-59848-01 | 2 | XA-59848-01 | 2 |
| 29B | 5" Steps (not shown) | XA-59845-01 | 2 | XA-59845-01 | 2 |
| 29C | 3" Steps (not shown) | XA-50045 | 2 | XA-50045 | 2 |
| 29D | 2' Steps (not shown) | XA-50044 | 2 | XA-50044 | 2 |
| 30A | Red LED Light | XB-59025 | - | XB-59025 | - |
| 30B | White LED Light | XB-59475 | - | XB-59475 | - |
| 30C | Red Incandescent Light | XB-58624 | - | XB-58624 | - |
| 30D | White Incandescent Light | XB-58625 | - | XB-58625 | - |
| 31A | Step Light Harness, Roadside | XA-59049-01 | 1 | XA-59049-01 | 1 |
| 31B | Step Light Harness, Curbside | XA-59049-02 | 1 | XA-59049-02 | 1 |
| 32 | Rubber Bumper | XB-59164 | 2 | XB-59164 | 2 |
| 33 | Plate Washer, 1/2", Galvanized | XB-59417 | 8 | XB-59417 | 8 |
| 34 | Lock Nut, 7/16" UNC, Plated | XF-31-043CC-P | 4 | XF-31-043CC-P | 4 |
| 35 | Hex Head Cap Screw, 7/16"-14, 2" Long, Plated | XF-01-044C5-200P | 4 | XF-01-044C5-200P | 4 |

*Includes rod and bore end fittings.

NOTE: Galvanized deck extensions, platforms, flip-over, lift arms, lift-frame, main-frame, and steps are available. Contact SAF-HOLLAND for part numbers.

5.2 TG 3500 Lb. Dual Cylinder (Wedge - Aluminum)



| ITEM | DESCRIPTION | TG3548A ALUMINUM PLATFORM ALUMINUM FLIP-OVER | QTY | TG3561E ALUMINUM PLATFORM ALUMINUM FLIP-OVER | QTY |
|------|----------------------------------|--|-----|--|-----|
| | Platform Assembly (complete) | XA-57645-01 | 1 | XA-59690-01 | 1 |
| 1 | Outer Platform (with cart stops) | N/A | - | XA-59361 | 1 |
| 2 | Inner Platform Assembly | N/A | - | XA-59688 | 1 |
| 3A | Platform Hinge, 7-1/4" Long | N/A | - | XA-59362 | 2 |
| 3B | Platform Hinge, 23" Long | N/A | - | XA-59363 | 1 |
| 4A | Trigger | N/A | - | XA-59356 | 2 |
| 4B | Cart Stop | N/A | - | XA-59352 | 4 |
| 5A | Aluminum Rod, 5/8" Diameter | N/A | - | XA-59410-04375 | 4 |
| 5B | Hex. Bar 3/8" x 43-3/4" Long | N/A | - | XA-59402-04375 | 2 |
| 6 | Nut, Platform Adjusting | XB-E-540 | 4 | XB-E-540 | 4 |

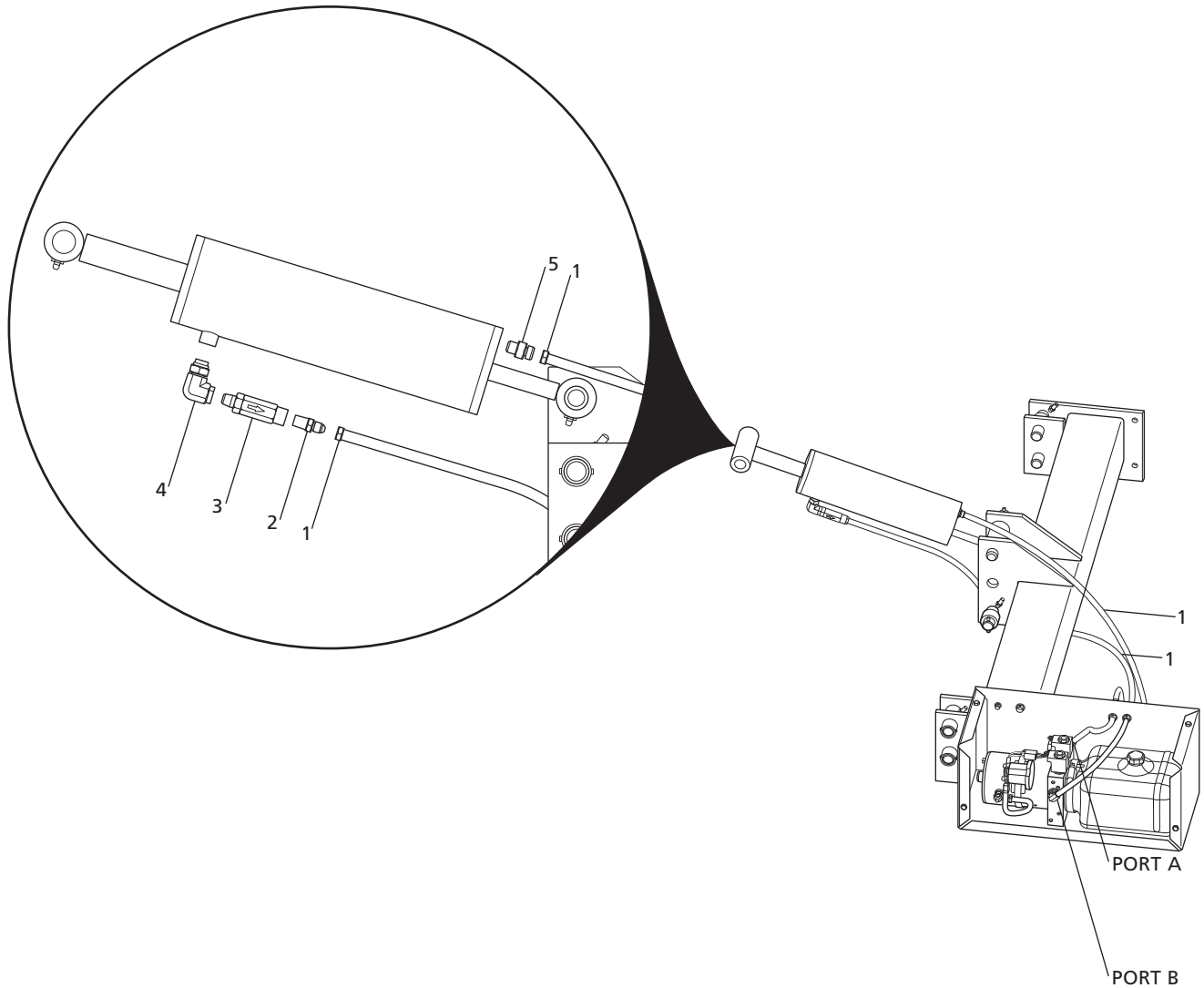


| ITEM | DESCRIPTION | TG3548A ALUMINUM PLATFORM ALUMINUM FLIP-OVER | QTY | TG3561E ALUMINUM PLATFORM ALUMINUM FLIP-OVER | QTY |
|------|---|--|-----|--|-----|
| 7 | Bolt, Platform Adjusting | XF-19-062F8-300P | 2 | XF-19-062F8-300P | 2 |
| 8 | Shackle, Roadside | XA-57648 | 1 | XA-57648 | 1 |
| 9 | Shackle, Curbside | XA-57648 | 1 | XA-57648 | 1 |
| 10 | Spring, Torsion, Roadside | N/A | – | XB-59572 | 1 |
| 11 | Spring, Torsion, Curbside | XB-51484 | 1 | XB-51484 | 1 |
| 12 | Pin, Shackle | XA-50556 | 2 | XA-50556 | 2 |
| 13 | Pin, Torsion Spring | XA-62934 | 1 | XA-62934 | 2 |
| 14 | Lift Frame Assembly | XA-50890 | 1 | XA-50890 | 1 |
| 15 | Pin, Cylinder, Rod End | XA-50583 | 1 | XA-50583 | 1 |
| 16 | Pin, Roll 1/4" Diameter x 1-1/2" Long | XB-21-S-250-1500 | 2 | XB-21-S-250-1500 | 2 |
| 17 | Pin, Cylinder, Bore End | XA-50582 | 2 | XA-50582 | 2 |
| 18 | Cylinder* | RK-59010-02 | 2 | RK-59010-01 | 2 |
| 19 | Pin, Lift Frame/Main Frame | XA-50903 | 2 | XA-50903 | 2 |
| 20 | Pin, Parallel Arm/Main Frame | XA-50559 | 2 | XA-50559 | 2 |
| 21 | Parallel Lift Arm, Roadside | XA-50894 | 1 | XA-50894 | 1 |
| 22 | Parallel Lift Arm, Curbside | XA-50895 | 1 | XA-50895 | 1 |
| 23 | Main Frame Assembly | XA-57072 | 1 | XA-57072 | 1 |
| 24 | Attaching Plates | XA-50973 | 2 | XA-50973 | 2 |
| 25 | Anti-Bounce Kit | XA-50369 | 1 | XA-50369 | 1 |
| 26 | Deck Extension | XA-58506 | 1 | XA-58506 | 1 |
| 27 | Step Brace | XA-51772-01 | 2 | XA-51772-01 | 2 |
| 28 | Platform Opener | XA-59408 | 2 | XA-59408 | 2 |
| 29A | 5" Steps (with provisions for lights) | XA-59848-01 | 2 | XA-59848-01 | 2 |
| 29B | 5" Steps (not shown) | XA-59845-01 | 2 | XA-59845-01 | 2 |
| 29C | 3" Steps (not shown) | XA-50045 | 2 | XA-50045 | 2 |
| 29D | 2' Steps (not shown) | XA-50044 | 2 | XA-50044 | 2 |
| 30A | Red LED Light | XB-59025 | – | XB-59025 | – |
| 30B | White LED Light | XB-59475 | – | XB-59475 | – |
| 30C | Red Incandescent Light | XB-58624 | – | XB-58624 | – |
| 30D | White Incandescent Light | XB-58625 | – | XB-58625 | – |
| 31A | Step Light Harness, Roadside | XA-59049-01 | 1 | XA-59049-01 | 1 |
| 31B | Step Light Harness, Curbside | XA-59049-02 | 1 | XA-59049-02 | 1 |
| 32 | Rubber Bumper | XB-59164 | 2 | XB-59164 | 2 |
| 33 | Plate Washer, 1/2", Galvanized | XB-59417 | 8 | XB-59417 | 8 |
| 34 | Lock Nut, 7/16" UNC, Plated | XF-31-043CC-P | 4 | XF-31-043CC-P | 4 |
| 35 | Hex Head Cap Screw, 7/16"-14, 2" Long, Plated | XF-01-044C5-200P | 4 | XF-01-044C5-200P | 4 |
| 36 | Rubber Bumper, 1-1/2" x 3/4" High | N/A | – | TR-SP315-006 | 2 |

*Includes rod and bore end fittings.

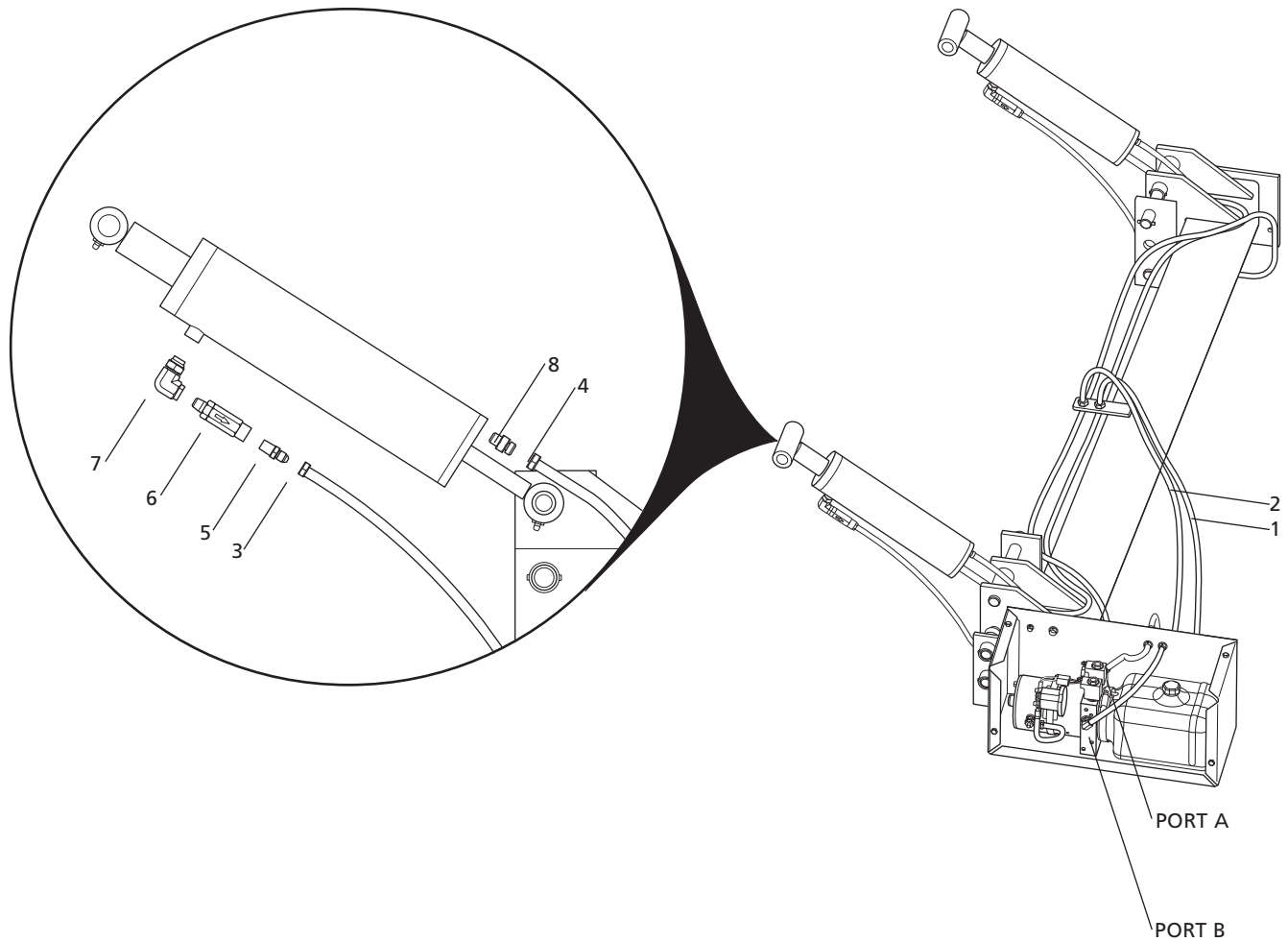
NOTE: Galvanized deck extensions, platforms, flip-over, lift arms, lift-frame, main-frame, and steps are available. Contact SAF-HOLLAND for part numbers.

6. Hydraulics (Single Cylinder)



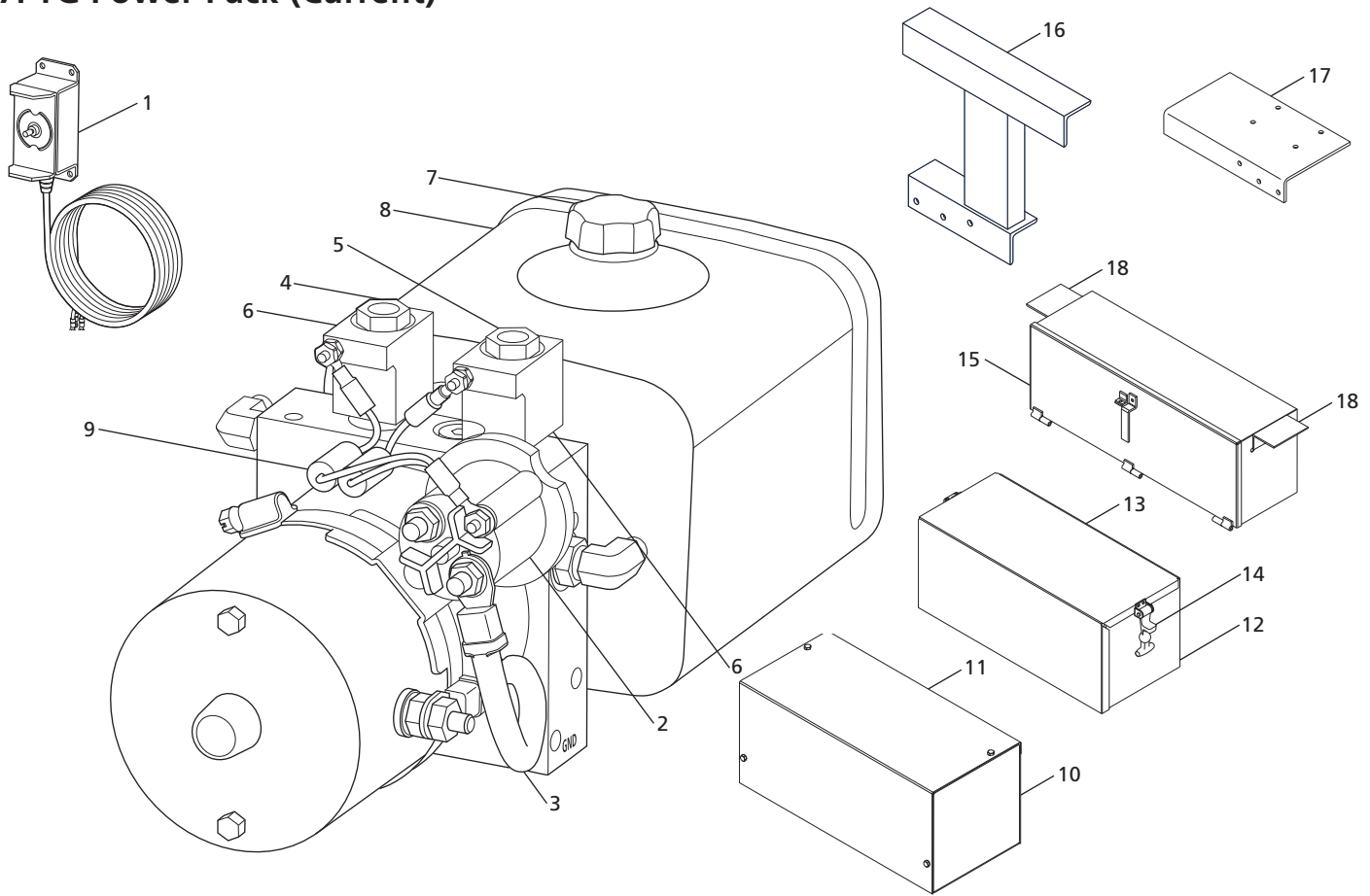
| ITEM | DESCRIPTION | PART NO. | QTY |
|------|--|----------------|-----|
| 1 | Hydraulic Hose, 72" Long | XA-51610-07200 | 2 |
| 2 | Adapter, 1/4" Male Pipe / -4 Male JIC | XB-51529 | 1 |
| 3 | Flow Control Valve, 2.0 GPM | XB-50032 | 1 |
| 4 | Fitting, 90° Elbow, -6 ORB / 1/4" FNPT | XB-57030 | 1 |
| 5 | Fitting, Male Connector, -6 ORB / -4 JIC | XB-58611 | 1 |

6.1 Hydraulics (Dual Cylinder)



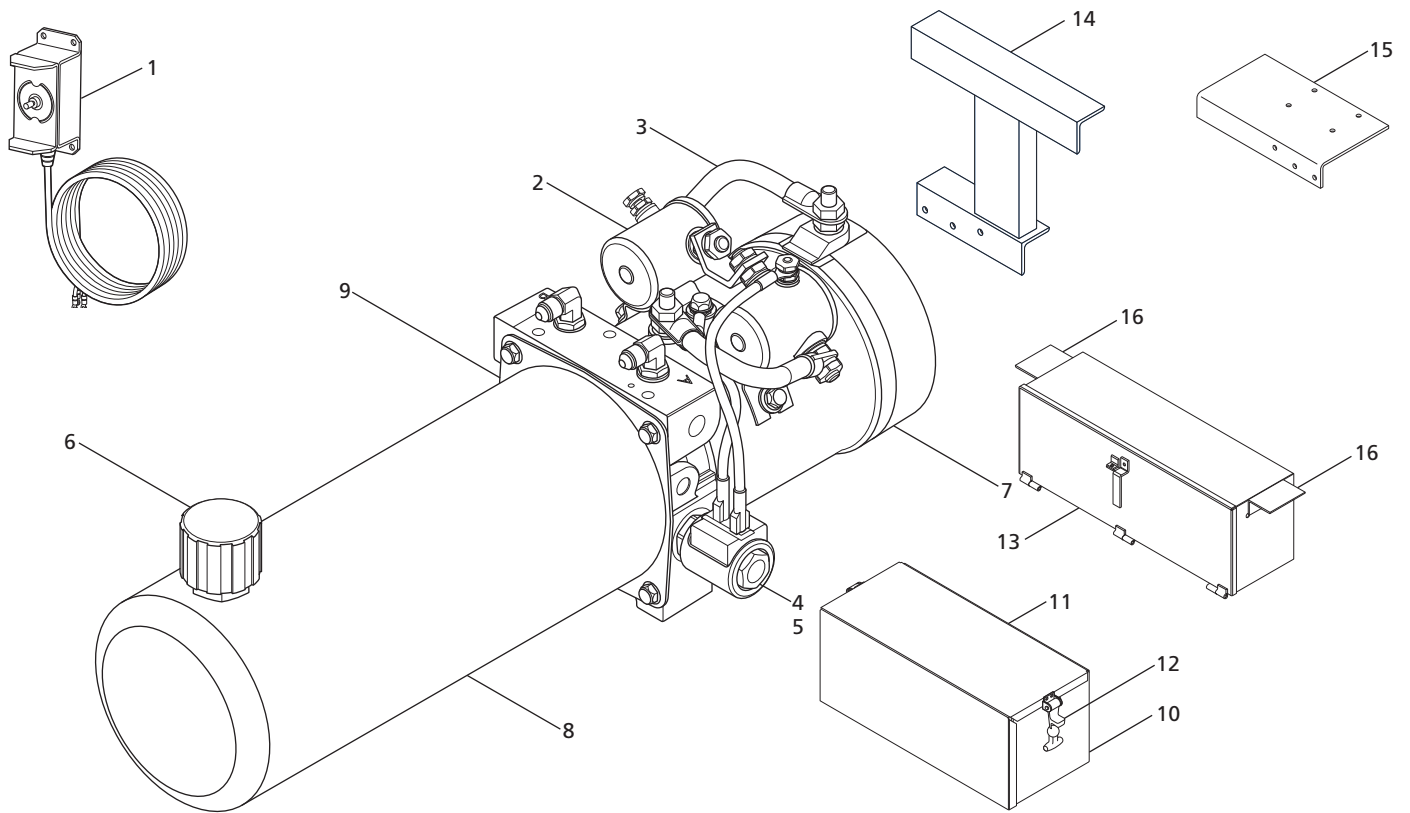
| ITEM | DESCRIPTION | PART NO. | QTY |
|------|--|----------------|-----|
| 1 | Hydraulic Hose, 69" Long | XA-58613-06900 | 1 |
| 2 | Hydraulic Hose, 60" Long | XA-58613-06000 | 1 |
| 3 | Hydraulic Hose, 50" Long | XA-51610-50 | 2 |
| 4 | Hydraulic Hose, 40" Long | XA-51610-40 | 2 |
| 5 | Adapter, 1/4" Male Pipe / -4 Male JIC | XB-51529 | 2 |
| 6 | Flow Control Valve, 1.0 GPM | XB-50032-02 | 2 |
| 7 | Fitting, 90° Elbow, -6 ORB / 1/4" FNPT | XB-57030 | 2 |
| 8 | Fitting, Male Connector, -6 ORB / -4 JIC | XB-58611 | 2 |

7. TG Power Pack (Current)



| ITEM | DESCRIPTION | PART NO. | QTY |
|------|----------------------------------|----------------|-----|
| | Complete Power Pack | XA-62671 | 1 |
| 1 | Truck Control Station, Potted | XA-58359-01 | 1 |
| 1 | Trailer Control Station, Potted | XA-58359-02 | 1 |
| 2 | Start Switch, Solenoid | XB-62927-05 | 1 |
| 3 | Terminal Strap | XB-62927-28 | 1 |
| 4 | Valve Cartridge, 2W/2P | XA-59034 | 1 |
| 5 | Valve Cartridge, 4W/2P | XB-62927-09 | 1 |
| 6 | Coil, Series 10, Single Stud | XB-57905 | 2 |
| 7 | Breather Cap | XB-62927-03 | 1 |
| 8 | Reservoir Tank | XA-62671-17 | 1 |
| 9 | Diode Harness | XA-58290 | 1 |
| 10 | Pump Box Base | XA-62863 | 1 |
| 11 | Pump Box Cover | XA-62862 | 1 |
| 12 | Pump Box Base | XA-59221-01 | 1 |
| 13 | Pump Box Lid | XA-59217-01 | 1 |
| 14 | Rubber Hold-down, Strap and Pins | XA-58330 | 2 |
| 15 | Pump and Battery Box | XA-57791-01 | 1 |
| 16 | Side Mount, Pump Box, Trailer | XA-62959-01 | 1 |
| 17 | Main Tube, Pump Box Mount | XA-62602-01 | 1 |
| 18 | Pump and Battery Box Mount | XA-68514-00800 | 2 |

8. TG Power Pack (Previous)



| ITEM | DESCRIPTION | PART NO. | QTY |
|------|----------------------------------|----------------|-----|
| | Complete Power Pack | XA-58360 | 1 |
| 1 | Truck Control Station, Potted | XA-58359-01 | 1 |
| 1 | Trailer Control Station, Potted | XA-58359-02 | 1 |
| 2 | Start Switch, Solenoid | XA-57636 | 2 |
| 3 | Terminal Strap | XA-59075-17 | 1 |
| 4 | Valve Cartridge, Poppet 2-Way | XA-59034 | 1 |
| 5 | Coil, Series 10, Single Stud | XA-59032 | 1 |
| 6 | Breather Cap | XA-57901 | 1 |
| 7 | Motor, Bi-Rotational | XB-59033 | 1 |
| 8 | Reservoir Tank | XA-59257 | 1 |
| 9 | O-Ring Reservoir | XA-59075-18 | 2 |
| 10 | Pump Box Base | XA-59221-01 | 1 |
| 11 | Pump Box Lid | XA-59217-01 | 1 |
| 12 | Rubber Hold-down, Strap and Pins | XA-58330 | 2 |
| 13 | Pump and Battery Box | XA-57791-01 | 1 |
| 14 | Side Mount, Pump Box, Trailer | XA-62959-01 | 1 |
| 15 | Main Tube, Pump Box Mount | XA-62602-01 | 1 |
| 16 | Pump and Battery Box Mount | XA-68514-00800 | 2 |

9. Accessory Kits

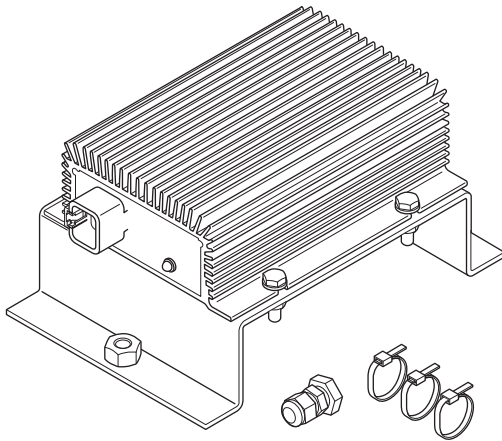
Single and Dual Pole Trailer Nose-box Kit

| DESCRIPTION | KIT PART NUMBER |
|---|-----------------|
| Semi-Trailer, Trailer Nose-box for both single and dual pole connectors | AK-59502-01 |

Remote Control Kit

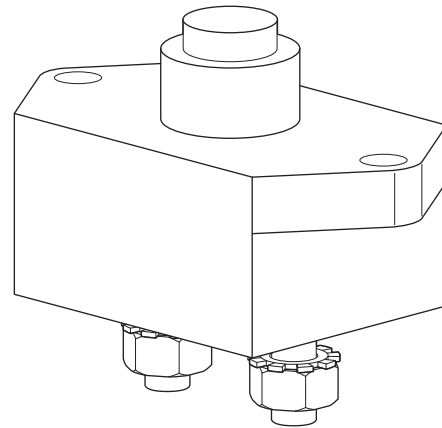
| DESCRIPTION | KIT PART NUMBER |
|-----------------------------|-----------------|
| Remote Control Kit, Truck | AK-59489-01 |
| Remote Control Kit, Trailer | AK-59489-02 |

Trailer Charger Kit



| DESCRIPTION | KIT PART NUMBER |
|--|-----------------|
| Auxiliary charging system, includes all wiring and mounting hardware | AK-59344 |

Circuit Breaker



| DESCRIPTION | PART NUMBER |
|----------------------------------|-------------|
| Circuit Breaker, Manual, 150 AMP | XB-51055 |









From fifth wheel rebuild kits to suspension bushing repair kits, SAF-HOLLAND Original Parts are the same quality components used in the original component assembly.

SAF-HOLLAND Original Parts are tested and designed to provide maximum performance and durability. Will-fits, look-alikes or, worse yet, counterfeit parts will only limit the performance potential and could possibly void SAF-HOLLAND's warranty. Always be sure to spec SAF-HOLLAND Original Parts when servicing your SAF-HOLLAND product.

SAF-HOLLAND USA • 888.396.6501 • Fax 800.356.3929
www.safholland.us

SAF-HOLLAND CANADA • 519.537.3494 • Fax 800.565.7753
WESTERN CANADA • 604.574.7491 • Fax 604.574.0244
www.safholland.ca

SAF-HOLLAND MEXICO • +(52) 55.5362.8743 • Fax +(52) 55.5362.8743
www.safholland.com.mx

info@safholland.com