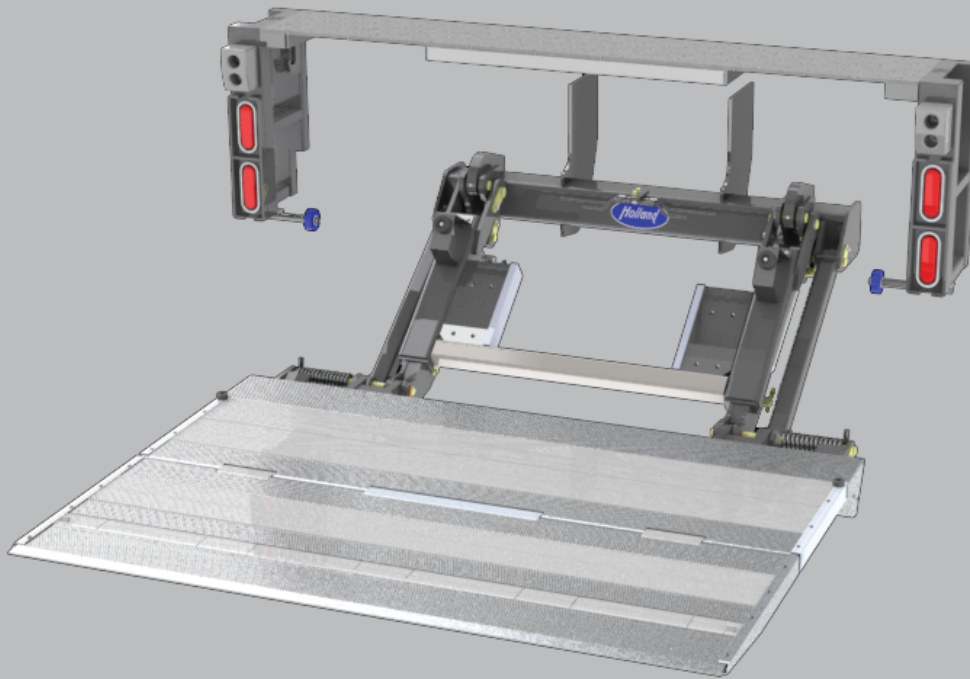


Parts Manual

TL Series Liftgates

4000 Lb./5000 Lb. Capacity



Contents	Page
Introduction	3
Warranty	3
Notes, Cautions, and Warnings	3
Section 1 – Model and Serial Number	4
Section 2 – Decal Part Numbers and Locations	5
Section 3 – TL 4000 Lb. Parts List	6

Contents	Page
Section 4 – TL 5000 Lb. Parts List	10
Section 5 – Hydraulic Parts List	12
Section 6 – TL Power Pack (Current)	13
Section 7 – TL Power Pack (Previous).....	14
Section 8 – Accessory Kits.....	15

Introduction

This manual provides you with information necessary for ordering the correct replacement parts for your SAF-HOLLAND TL Series Liftgate.

NOTE: For liftgate components replacement, contact SAF-HOLLAND Customer Service at:
 U.S. 888-396-6501
 Canada 800-503-9847

Warranty

Refer to the complete warranty for the country in which the product will be used. A copy of the warranty certificate is included with the product as well as on the SAF-HOLLAND website (www.safholland.us and www.safholland.ca). It may also be ordered directly from SAF-HOLLAND; the address is shown on the back cover.

Notes, Cautions, and Warnings

You must read and understand all of the safety procedures presented in this manual before operating or starting any work on the liftgate.

NOTE: In the United States, workshop safety requirements are defined by federal and/or state Occupational Safety and Health Act. Equivalent laws may exist in other countries. This manual is written based on the assumption that OSHA or other applicable employee safety regulations are followed by the location where work is performed.

Proper tools must be used to perform the maintenance and repair procedures described in this manual. Many of these procedures may require special tools.

IMPORTANT: Read this manual before using this product. Keep this manual in a safe location for future reference.

WARNING Failure to follow the instructions and safety precautions in this manual can result in death or serious injury.

Throughout this manual, you will notice the terms "NOTE," "IMPORTANT," "CAUTION," and "WARNING" followed by useful product information. So that you may better understand the manual, those terms are as follows:

NOTE: Includes additional information to enable accurate and easy performance of procedures.

IMPORTANT: Includes additional information that if not followed could lead to hindered product performance.

CAUTION Used without the safety alert symbol, indicates a potentially hazardous situation which, if not avoided, could result in property damage.

CAUTION Indicates a potentially hazardous situation which, if not avoided, could result in minor or moderate injury.

WARNING Indicates a potentially hazardous situation which, if not avoided, could result in death or serious injury.

1. Liftgate Model and Serial Number Location

Each SAF-HOLLAND liftgate has a stamped metal tag that identifies the liftgate model and serial number (**Figure 1**). This tag is attached to the front roadside of the main tube (**Figure 2**). In order to properly identify your Holland liftgate and its components when communicating with SAF-HOLLAND or your dealer, please record the model and serial numbers below and refer to them when ordering replacement parts.

Model Number

TL 40 48

Platform Size
48" Long
52" Long
61" Long

Capacity
4,000 lbs.
5,000 lbs.

Model

Serial Number (Before November 1, 2008)

A 01 000123 N

Facility Code
Sequence Number
Year Code
Month Code

Serial Number (After November 1, 2008)

92 02 312 0123

Sequence Number
Day of Year
Year Code
Facility Code

Figure 1

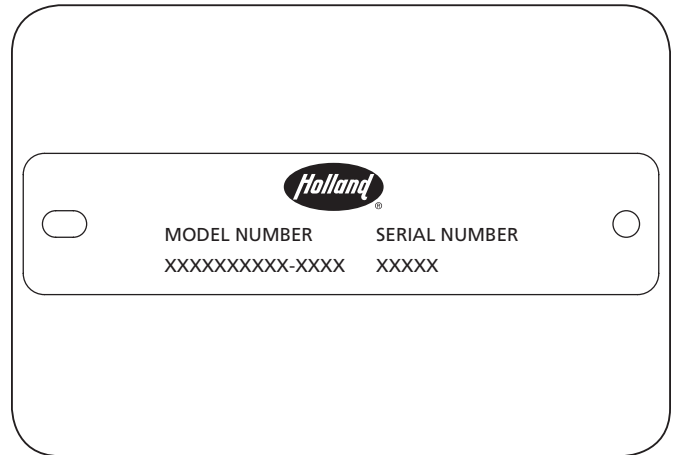
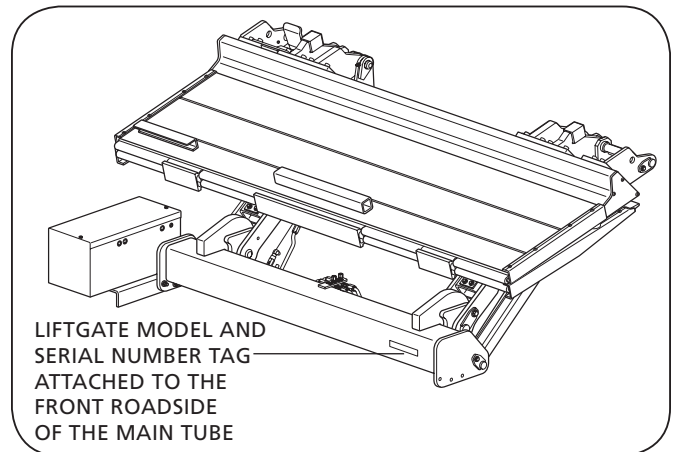


Figure 2



Equipment Model No.: _____

Serial No.: _____

Pump Model No.: _____

Serial No.: _____

Purchase Date: _____

Dealer: _____

2. Decal Part Numbers and Locations

IMPORTANT: All decals must be installed, maintained, and kept visible and legible.

Prior to putting the vehicle into service, install all supplied decals listed in the table below (**Figures 3, 4 and 5**).

DECAL	QTY	ENGLISH	FRENCH	DESCRIPTION
A	4	XB-51913	XB-51914	Max. Capacity 4000Lbs
	4	XB-58882	XA-58883	Max. Capacity 5000Lbs
B	2	XB-50344	XB-50349	CAUTION - Always Stand Clear
C	1	XB-50346	XB-50353	WARNING
D	2	XB-50345	Instructions	
E	1	XB-50528	XA-62611	Safety Latches
F	1	XB-54995	XB-64388	High Pressure Fluid
G	1	XB-51170	XB-57067	Pinch Point

Figure 3

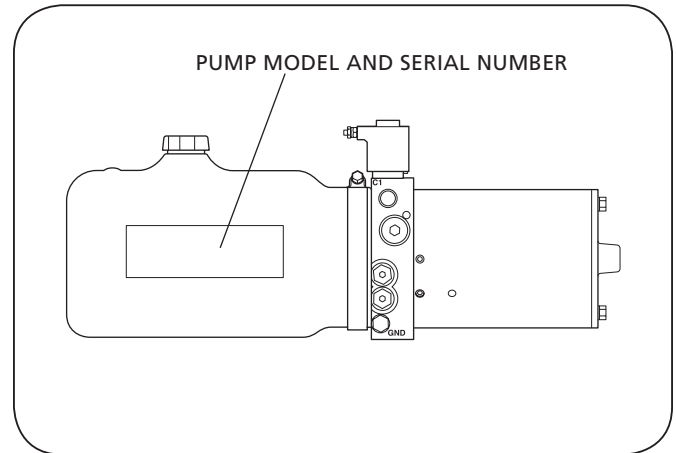


Figure 4

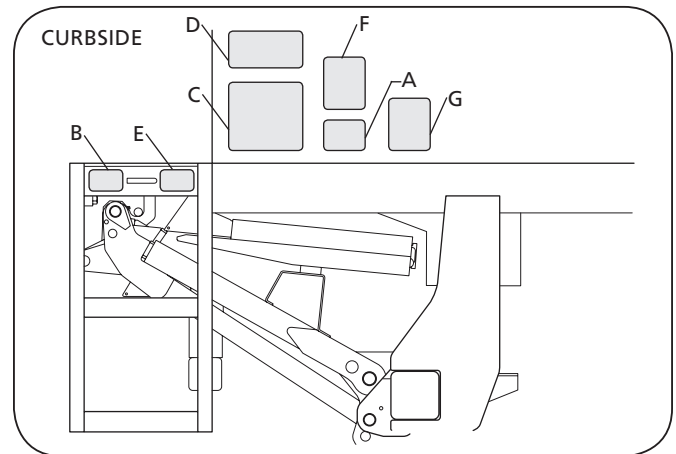
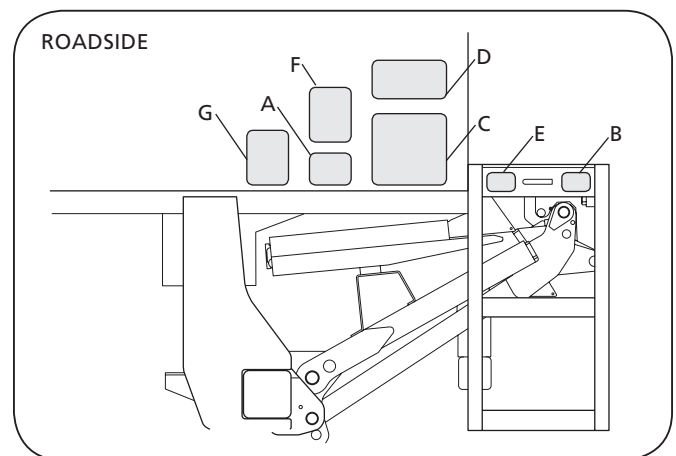
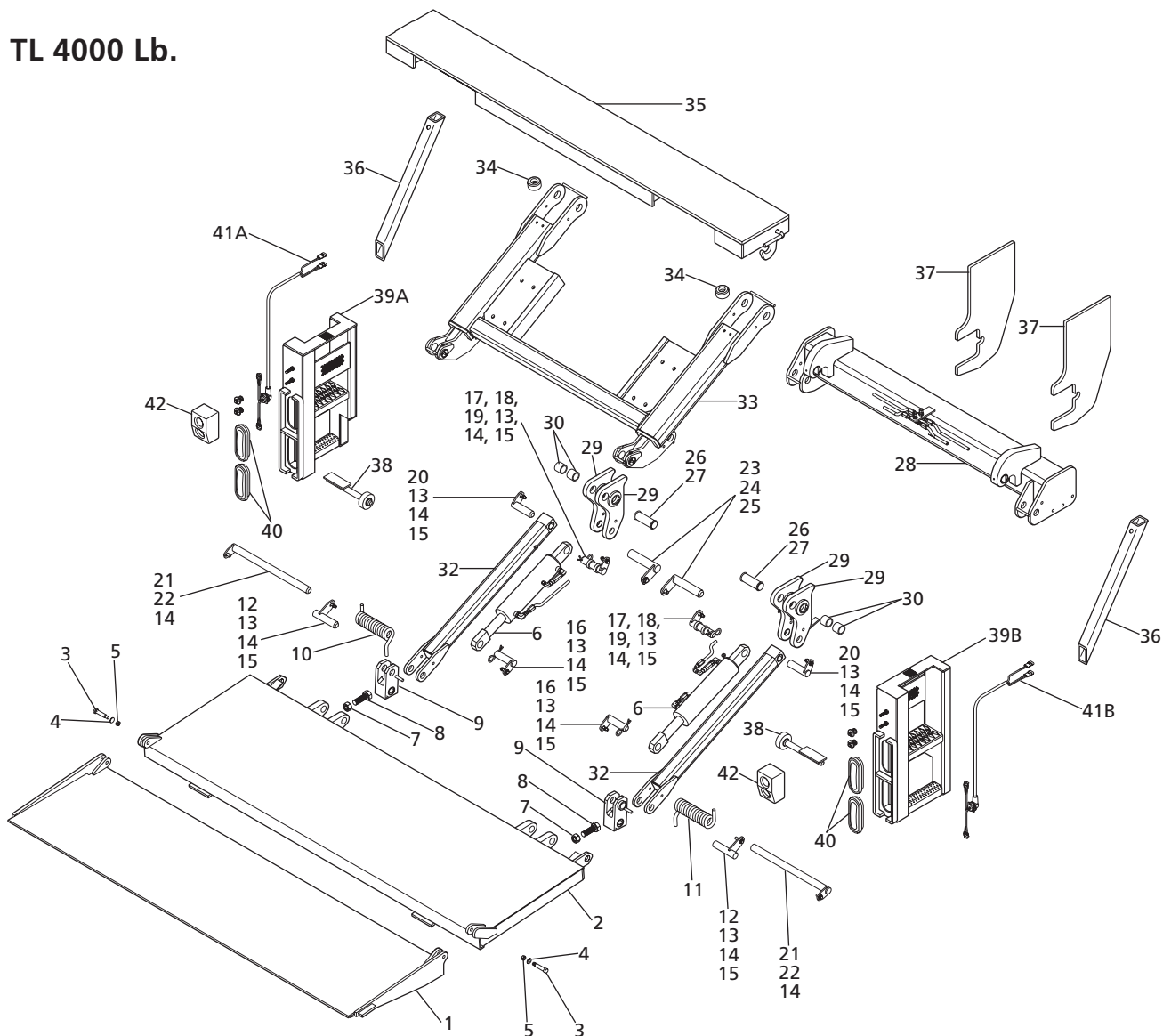


Figure 5



3. TL 4000 Lb.

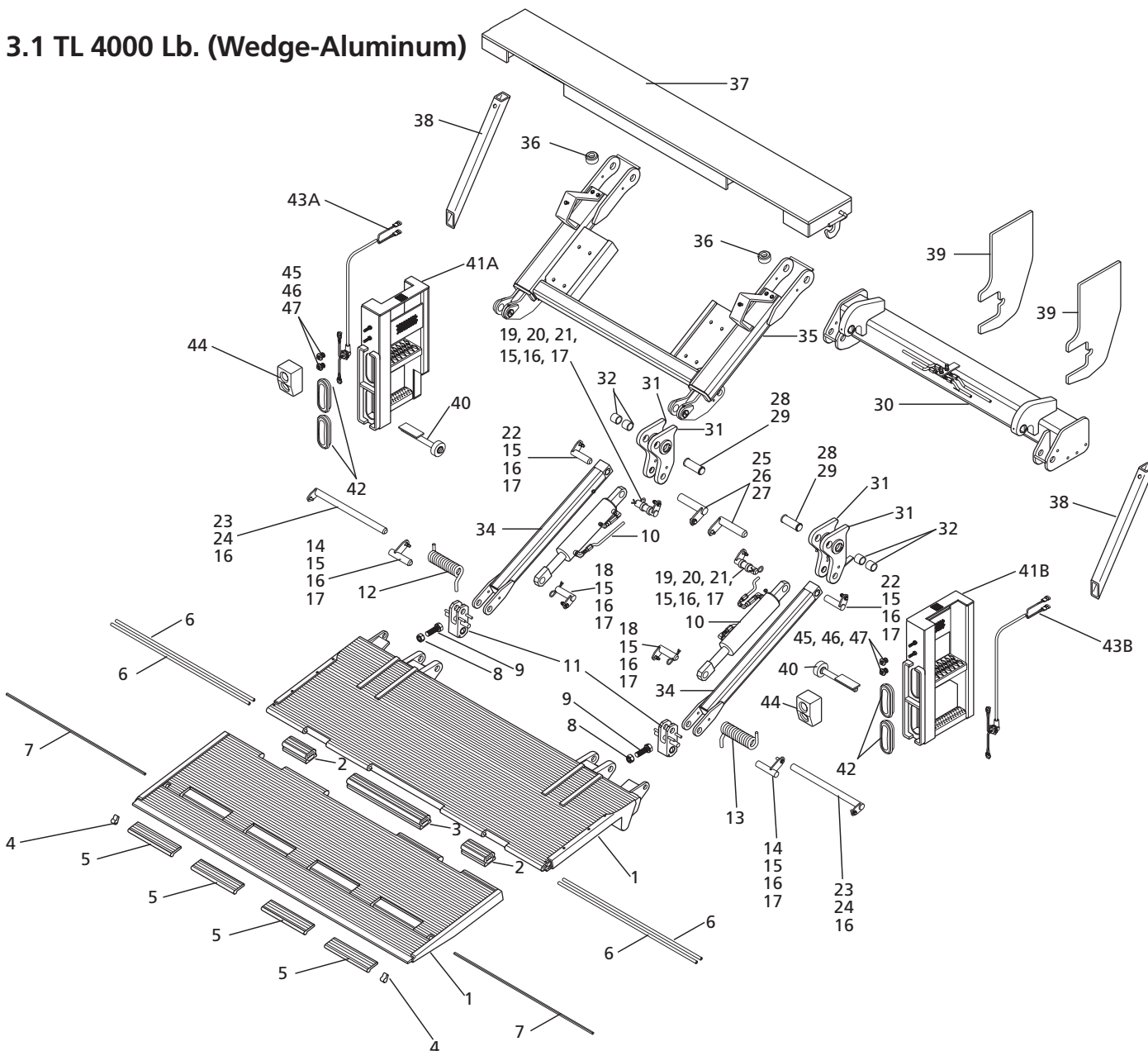


ITEM	DESCRIPTION	TL40483 (PAINTED) STEEL PLATFORM ALUMINUM FLIP-OVER	QTY	TL40483 (GALVANIZED) STEEL PLATFORM ALUMINUM FLIP-OVER	QTY	TL40523 (PAINTED) STEEL PLATFORM ALUMINUM FLIP-OVER	QTY	TL40523 (GALVANIZED) STEEL PLATFORM ALUMINUM FLIP-OVER	QTY
1	Flip-over Assembly	XA-51496	1	XA-51496	1	XA-57055-02	1	XA-51496	1
2	Platform Assembly	XA-57806-01	1	XA-57806-03	1	XA-57806-01	1	XA-57806-03	1
3	Shoulder Screw, 5/8", 1/2"-13, 2-1/4" Long	XF-05-062C8-225B	2	XF-05-062C8-225B	2	XF-05-062C8-225B	2	XF-05-062C8-225B	2
4	Flat Washer, 1/2", Plated	XF-41-050-5P	2	XF-41-050-5P	2	XF-41-050-5P	2	XF-41-050-5P	2
5	Locknut, 1/2"-13, Plated	XF-31-050C8-P	2	XF-31-050C8-P	2	XF-31-050C8-P	2	XF-31-050C8-P	2
6	Cylinder	XA-57513	2	XA-57513	2	XA-57513	2	XA-57513	2
7	Nut, Platform Adjusting (Jam Nut, 1"-8, Plated)	XF-32-100C5-P	2	XF-32-100C5-P	2	XF-32-100C5-P	2	XF-32-100C5-P	2
8	Bolt, Platform Adjusting (HHCS, 1" Diameter, Plated)	XF-01-100C5-300P	2	XF-01-100C5-300P	2	XF-01-100C5-300P	2	XF-01-100C5-300P	2
9	Shackle Assembly	XA-59371	2	XA-59349	2	XA-59371	2	XA-59349	2
10	Torsion Spring, Roadside	XB-51484	1	XB-51484	1	XB-51484	1	XB-51484	1
11	Torsion Spring, Curbside	XB-51483	1	XB-51483	1	XB-51483	1	XB-51483	1



ITEM	DESCRIPTION	TL40483 (PAINTED) STEEL PLATFORM ALUMINUM FLIP-OVER	QTY	TL40483 (GALVANIZED) STEEL PLATFORM ALUMINUM FLIP-OVER	QTY	TL40523 (PAINTED) STEEL PLATFORM ALUMINUM FLIP-OVER	QTY	TL40523 (GALVANIZED) STEEL PLATFORM ALUMINUM FLIP-OVER	QTY
12	Pin, Shackle, Plated	XA-57705	2	XA-57705	2	XA-57705	2	XA-57705	2
13	Hex Head Cap Screw, 3/8, UNC x 1-1/2" Long	XF-01-038C5-150P	8	XF-01-038C5-150P	8	XF-01-038C5-150P	8	XF-01-038C5-150P	8
14	Washer, 3/8"	XB-1108	10	XB-1108	10	XB-1108	10	XB-1108	10
15	Lock Nut, 3/8"-16	XB-338	8	XB-338	8	XB-338	8	XB-338	8
16	Pin, Cylinder (Rod End), Plated	XA-57523	2	XA-57523	2	XA-57523	2	XA-57523	2
17	Pin, Cylinder (Bore End), Plated	XA-59247	2	XA-59247	2	XA-59247	2	XA-59247	2
18	Hair Pin, 3/16" Dia.	XB-53946	4	XB-53946	4	XB-53946	4	XB-53946	4
19	Collar, 1/2" Long	XA-58564	6	XA-58564	6	XA-58564	6	XA-58564	6
20	Pin, Platform, Plated	XA-57431	2	XA-57431	2	XA-57431	2	XA-57431	2
21	Pin, Platform, Plated	XA-57706	2	XA-57706	2	XA-57706	2	XA-57706	2
22	Hex Head Cap Screw, 3/8"-16 x 1" Long, Plated	XF-01-038C5-100P	2	XF-01-038C5-100P	2	XF-01-038C5-100P	2	XF-01-038C5-100P	2
23	Pin, Lift Frame, Plated	XA-57707	2	XA-57707	2	XA-57707	2	XA-57707	2
24	Hex Head Cap Screw, 1/2"-13 x 1" Long, Plated	XF-01-050C5-100P	2	XF-01-050C5-100P	2	XF-01-050C5-100P	2	XF-01-050C5-100P	2
25	Flat Washer, 1/2", Plated	XF-41-050-8P	2	XF-41-050-8P	2	XF-41-050-8P	2	XF-41-050-8P	2
26	Grooved Pin, Main Frame	XB-51895	2	XB-51895	2	XB-51895	2	XB-51895	2
27	Retaining Ring	XB-51909	4	XB-51909	4	XB-51909	4	XB-51909	4
28	Main Frame Assembly	XA-57253	1	XA-57252-01	1	XA-57253	1	XA-57252-01	1
29	Pivot Link Assembly	XA-59242-01	4	XA-59241-02	4	XA-59242-01	4	XA-59241-02	4
30	Bearing, 1-1/2" I.D. x 1-1/2"	XB-51858	4	XB-51858	4	XB-51858	4	XB-51858	4
31	Bearing, 1-1/4" I.D. x 1" Long	XB-51859	12	XB-51859	12	XB-51859	12	XB-51859	12
32	Compression Member Assembly	XA-58794-04	2	XA-58793-06	2	XA-58794-04	2	XA-58793-06	2
33	Lift Frame Assembly	XA-59056-05	1	XA-59056-03	1	XA-59056-05	1	XA-59056-03	1
34	Rubber Bumper, 2-1/2" Diameter x 1" High	XB-54206	2	XB-54206	2	XB-54206	2	XB-54206	2
35	Deck Extension	XA-57853	1	XA-59451-10	1	XA-57853	1	XA-59451-10	1
36	Step Brace	XA-62619-01	2	XA-62619	2	XA-62619-01	2	XA-62619	2
37	Attaching Plates	XA-57854	2	XA-59642-05	2	XA-57854	2	XA-59642-05	2
38	Roller Opener	XA-59408	2	XA-59408	2	XA-59408	2	XA-59408	2
39A	5" Steps (with provision for lights – Roadside)	XA-59171	1	XA-59968-01	1	XA-59171	1	XA-59968-01	1
39B	5" Steps (with provision for lights – Curbside)	XA-59172	1	XA-59968-02	1	XA-59172	1	XA-59968-02	1
	5" Steps (not shown)	XA-58932-01	2	XA-58932-02	2	XA-58932-01	2	XA-58932-02	2
	3" Steps (not shown)	XA-50045-02	2	N/A	—	XA-50045-02	2	N/A	—
	2' Steps (not shown)	XA-50044-02	2	N/A	—	XA-50044-02	2	N/A	—
40	Red LED Light	XB-59025	—	XB-59025	—	XB-59025	—	XB-59025	—
	White LED Light	XB-59475	—	XB-59475	—	XB-59475	—	XB-59475	—
	Red Incandescent Light	XB-58624	—	XB-58624	—	XB-58624	—	XB-58624	—
	White Incandescent Light	XB-58625	—	XB-58625	—	XB-58625	—	XB-58625	—
41A	Step Light Harness , Left Hand	XA-59049-01	1	XA"-59049-01	1	XA-59049-01	1	XA-59049-01	1
41B	Step Light Harness, Right Hand	XA-59049-02	1	XA-59049-02	1	XA-59049-02	1	XA-59049-02	1
42	Rubber Bumper	XB-59164	2	XB-59164	2	XB-59164	2	XB-59164	2
43	Plate Washer, 1/2"	XB-59417	2	XB-59417	2	XB-59417	2	XB-59417	2
44	Flat Washer, 7/16", Plated	XF-41-044C8-P	2	XF-41-044C8-P	2	XF-41-044C8-P	2	XF-41-044C8-P	2
45	Lock Nut, 7/16" UNC, Plated	XF-31-043CC-P	2	XF-31-043CC-P	2	XF-31-043CC-P	2	XF-31-043CC-P	2

3.1 TL 4000 Lb. (Wedge-Aluminum)

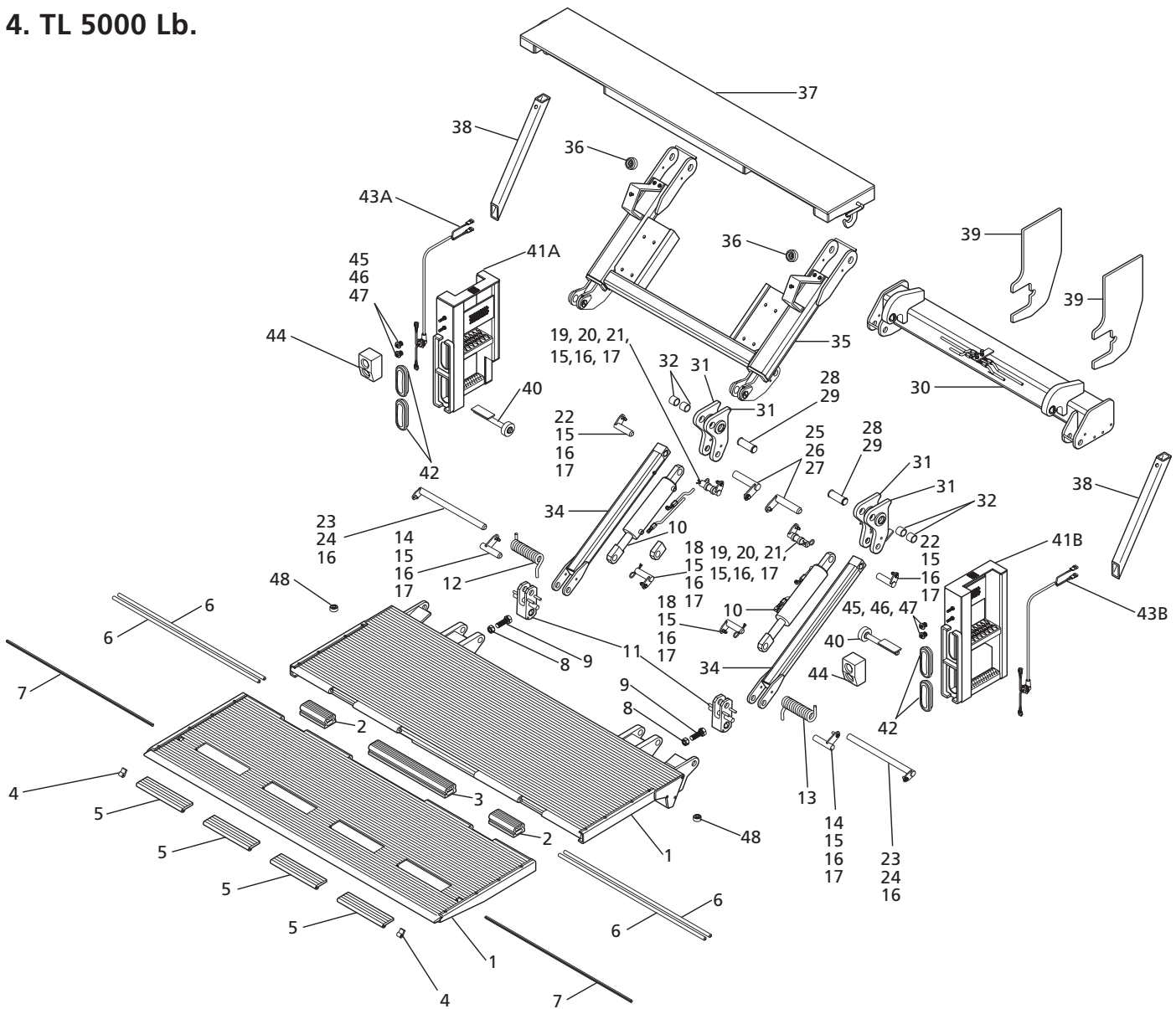


ITEM	DESCRIPTION	TL4061E (PAINTED) ALUMINUM PLATFORM ALUMINUM FLIP-OVER	QTY	TL4061E (GALVANIZED) ALUMINUM PLATFORM ALUMINUM FLIP-OVER	QTY
1	Platform Assembly	XA-59403	1	XA-59403-02	1
2	Platform Hinge, 7-1/4" Long	XA-59362	2	XA-59362	2
3	Platform Hinge, 24" Long	XA-59363	1	XA-59363	1
4	Trigger	XA-39356	2	XA-39356	2
5	Cart Stop	XA-59370	4	XA-59370	4
6	Aluminum Rod, 5/8" Diameter	XA-59410-04375	4	XA-59410-04375	4
7	Hex Bar, 3/8" x 43-3/4" Long	XA-59402-04375	2	XA-59402-04375	2
8	Nut, Platform Adjusting (Jam Nut, 1"-8, Plated)	XF-32-100C5-P	2	XF-32-100C5-P	2
9	Bolt, Platform Adjusting (Hex Head Cap Screw, 1" Diameter, Plated)	XF-01-100C5-250P	2	XF-01-100C5-300P	2



ITEM	DESCRIPTION	TL4061E (PAINTED) ALUMINUM PLATFORM ALUMINUM FLIP-OVER	QTY	TL4061E (GALVANIZED) ALUMINUM PLATFORM ALUMINUM FLIP-OVER	QTY
10	Cylinder	XA-57513	2	XA-57513	2
11	Shackle Assembly	XA-59370	2	XA-58946-03	2
12	Torsion Spring, Roadside	XB-51484	1	XB-51484	1
13	Torsion Spring, Curbside	XB-59572	1	XB-59572	1
14	Pin, Shackle, Plated	XA-57705	2	XA-57705	2
15	Hex Head Cap Screw, 3/8", UNC x 1-1/2" Long	XF-01-038C5-150P	8	XF-01-038C5-150P	8
16	Washer, 3/8"	XB-1108	10	XB-1108	10
17	Lock Nut, 3/8"-16	XB-338	8	XB-338	8
18	Pin, Cylinder (Rod End), Plated	XA-57523	2	XA-57523	2
19	Pin, Cylinder (Bore End), Plated	XA-59247	2	XA-59247	2
20	Hair Pin, 3/16" Dia.	XB-53946	4	XB-53946	4
21	Collar, 1/2" Long	XA-58564	6	XA-58564	6
22	Pin, Platform, Plated	XA-57431	2	XA-57431	2
23	Pin, Platform, Plated	XA-57706	2	XA-57706	2
24	Hex Head Cap Screw, 3/8" - 16 x 1" Long, Plated	XF-01-038C5-100P	2	XF-01-038C5-100P	2
25	Pin, Lift Frame, Plated	XA-57707	2	XA-57707	2
26	Hex Head Cap Screw, 1/2" - 13 x 1" Long, Plated	XF-01-050C5-100P	2	XF-01-050C5-100P	2
27	Flat Washer, 1/2", Plated	XF-41-050-8P	2	XF-41-050-8P	2
28	Grooved Pin, Main Frame	XB-51895	2	XB-51895	2
29	Retaining Ring	XB-51909	4	XB-51909	4
30	Main Frame Assembly	XA-59053-04	1	XA-59036-04	1
31	Pivot Link Assembly	XA-59242-01	4	XA-59241-02	4
32	Bearing, 1-1/2" I.D. x 1-1/2" Long	XB-51858	4	XB-51858	4
33	Bearing, 1-1/4" I.D. x 1" Long	XB-51859	12	XB-51859	12
34	Compression Member Assembly	XA-58794-04	2	XA-58793-06	2
35	Lift Frame Assembly	XA-59056-05	1	XA-59056-03	1
36	Rubber Bumper, 2-1/2" Diameter x 1" High	XB-54206	2	XB-54206	2
37	Deck Extension	XA-58881-01	1	XA-59451-10	1
38	Step Brace	XA-62619-01	2	XA-62619	2
39	Attaching Plates	XA-57854	2	XA-59642-05	2
40	Roller Opener	XA-59408	2	XA-59408	2
41A	5" Steps (with provision for lights – Roadside)	XA-59171	1	XA-59968-01	1
41B	5" Steps (with provision for lights – Curbside)	XA-59172	1	XA-59968-02	1
	5" Steps (not shown)	XA-58932-01	2	XA-58932-02	2
	3" Steps (not shown)	XA-50045-02	2	N/A	—
	2' Steps (not shown)	XA-50044-02	2	N/A	—
42	Red LED Light	XB-59025	—	XB-59025	—
	White LED Light	XB-59475	—	XB-59475	—
	Red Incandescent Light	XB-58624	—	XB-58624	—
	White Incandescent Light	XB-58625	—	XB-58625	—
43A	Step Light Harness, Left Hand	XA-59049-01	1	XA-59049-01	1
43B	Step Light Harness, Right Hand	XA-59049-02	1	XA-59049-02	1
44	Rubber Bumper	XB-59164	2	XB-59164	2
45	Plate Washer, 1/2", Hot Galvanized	XB-59417	2	XB-59417	2
46	Flat Washer, 7/16", Plated	XF-41-044C8-P	2	XF-41-044C8-P	2
47	Lock Nut, 7/16" UNC, Plated	XF-31-043CC-P	2	XF-31-043CC-P	2
48	Rubber Bumper, 1-1/2" Diameter x 3/4" High	TR-SP315-006	2	TR-SP315-006	2

4. TL 5000 Lb.

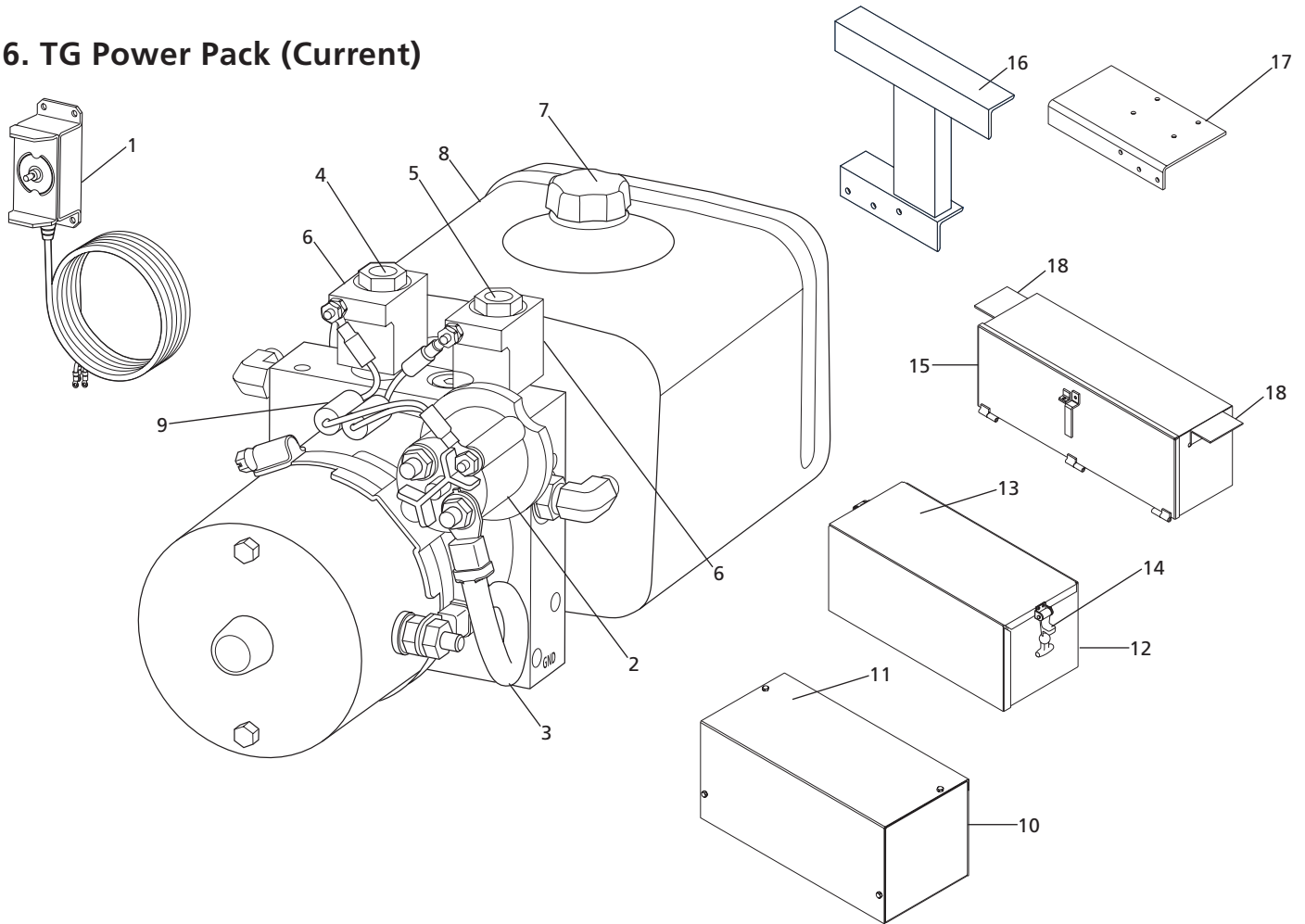


ITEM	DESCRIPTION	TL5061E (PAINTED) ALUMINUM PLATFORM ALUMINUM FLIP-OVER	QTY	TL5061E (GALVANIZED) ALUMINUM PLATFORM ALUMINUM FLIP-OVER	QTY
1	Platform Assembly	XA-59403	1	XA-59403-02	1
2	Platform Hinge, 7-1/4" Long	XA-59362	2	XA-59362	2
3	Platform Hinge, 24" Long	XA-59363	1	XA-59363	1
4	Trigger	XA-39356	2	XA-39356	2
5	Cart Stop	XA-59370	4	XA-59370	4
6	Aluminum Rod, 5/8" Diameter	XA-59410-04375	4	XA-59410-04375	4
7	Hex Bar, 3/8" x 43-3/4" Long	XA-59402-04375	2	XA-59402-04375	2
8	Nut, Platform Adjusting (Jam Nut, 1"-8, Plated)	XF-32-100C5-P	2	XF-32-100C5-P	2
9	Bolt, Platform Adjusting (Hex Head Cap Screw, 1" Diameter, Plated)	XF-01-100C5-250P	2	XF-01-100C5-300P	2
10	Cylinder	XA-57513	2	XA-57513	2
11	Shackle Assembly	XA-59370	2	XA-58946-03	2



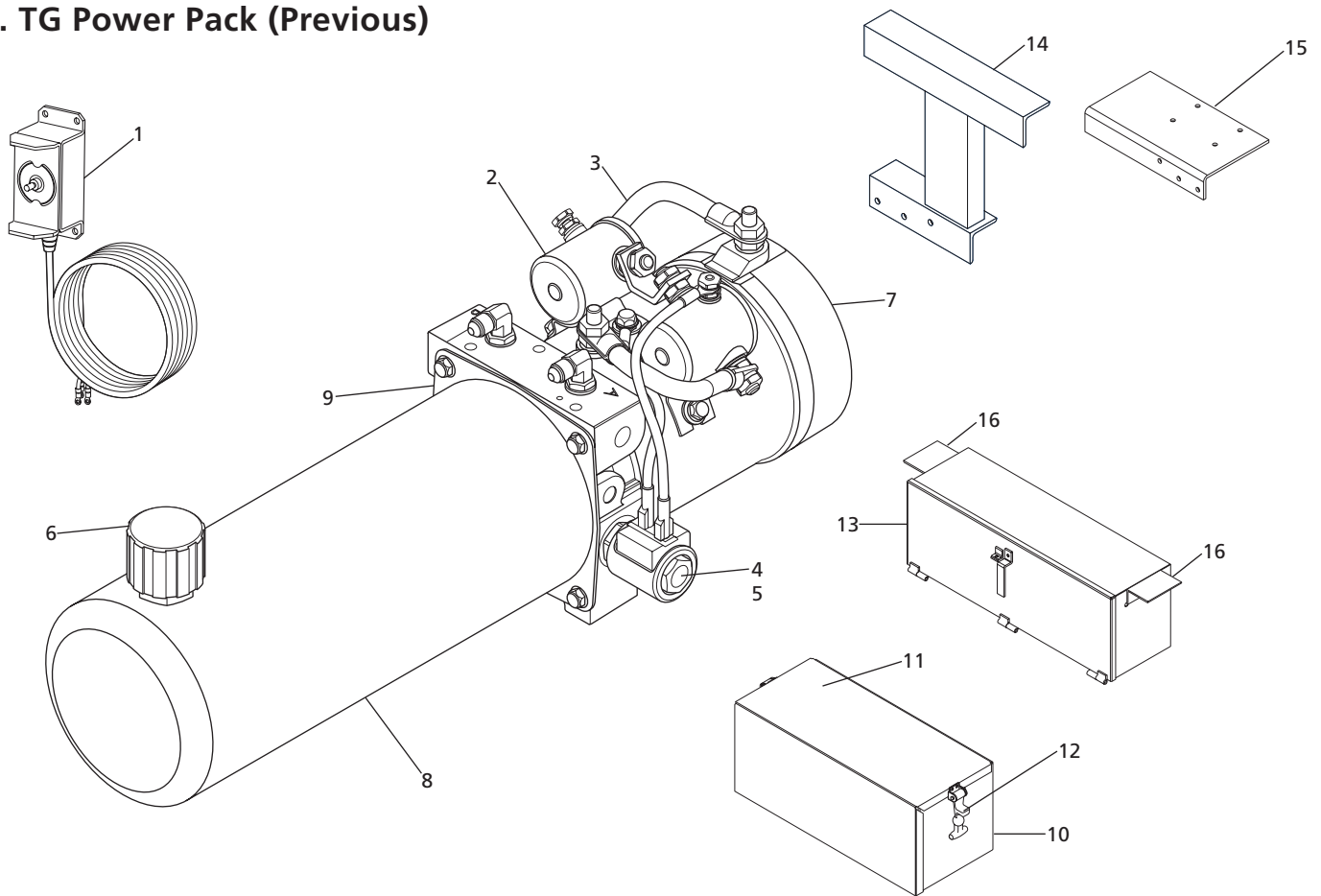
ITEM	DESCRIPTION	TL5061E (PAINTED) ALUMINUM PLATFORM ALUMINUM FLIP-OVER	QTY	TL5061E (GALVANIZED) ALUMINUM PLATFORM ALUMINUM FLIP-OVER	QTY
12	Torsion Spring, Roadside	XB-51484	1	XB-51484	1
13	Torsion Spring, Curbside	XB-59572	1	XB-59572	1
14	Pin, Shackle, Plated	XA-58795	2	XA-58795	2
15	Hex Head Cap Screw, 3/8", UNC x 1-1/2" Long	XF-01-038C5-150P	8	XF-01-038C5-150P	8
16	Washer, 3/8"	XB-1108	10	XB-1108	10
17	Lock Nut, 3/8"-16	XB-338	8	XB-338	8
18	Pin, Cylinder (Rod End), Plated	XA-58779	2	XA-58779	2
19	Pin, Cylinder (Bore End), Plated	XA-58778	2	XA-58778	2
20	Hair Pin, 3/16" Diameter	XB-53946	4	XB-53946	4
21	Collar, 1/2" Long	XA-58564	6	XA-58564	6
22	Pin, Platform, Plated	XA-58780	2	XA-58780	2
23	Pin, Platform, Plated	XA-58781	2	XA-58781	2
24	Hex Head Cap Screw, 3/8"-16 x 1" Long, Plated	XF-01-038C5-100P	2	XF-01-038C5-100P	2
25	Pin, Lift Frame, Plated	XA-58790	2	XA-58790	2
26	Hex Head Cap Screw, 1/2"-13 x 1" Long, Plated	XF-01-050C5-100P	2	XF-01-050C5-100P	2
27	Flat Washer, 1/2", Plated	XF-41-050-8P	2	XF-41-050-8P	2
28	Grooved Pin, Main Frame	XB-51895	2	XB-51895	2
29	Retaining Ring	XB-51909	4	XB-51909	4
30	Main Frame Assembly	XA-58788-02	1	XA-58775-03	1
31	Pivot Link Assembly	XA-59242-01	4	XB-59241-02	4
32	Bearing, 1-1/2" I.D. x 1-1/2" Long	XB-51858	4	XB-51858	4
33	Bearing, 1-1/4" I.D. x 1" Long	XB-51859	12	XB-51859	12
34	Compression Member Assembly	XA-58794-04	2	XA-58793-06	2
35	Lift Frame Assembly	XA-58899-05	1	XA-58899-03	1
36	Rubber Bumper, 2-1/2" Diameter x 1" High	XB-54206	2	XB-54206	2
37	Deck Extension	XA-58881-01	1	XA-59451-10	1
38	Step Brace	XA-62619-01	2	XA-62619	2
39	Attaching Plates	XA-57854	2	XA-59642-05	2
40	Roller Opener	XA-59408	2	XA-59408	2
41A	5" Steps (with provision for lights – Roadside)	XA-59171	1	XA-59968-01	1
41B	5" Steps (with provision for lights – Curbside)	XA-59172	1	XA-59968-02	1
	5" Steps (not shown)	XA-58932-01	2	XA-58932-02	2
	3" Steps (not shown)	XA-50045-02	2	N/A	—
	2" Steps (not shown)	XA-50044-02	2	N/A	—
42	Red LED Light	XB-59025	—	XB-59025	—
	White LED Light	XB-59475	—	XB-59475	—
	Red Incandescent Light	XB-58624	—	XB-58624	—
	White Incandescent Light	XB-58625	—	XB-58625	—
43A	Step Light Harness, Left Hand	XA-59049-01	1	XA-59049-01	1
43B	Step Light Harness, Right Hand	XA-59049-02	1	XA-59049-02	1
44	Rubber Bumper	XB-59164	2	XB-59164	2
45	Plate Washer, 1/2", Hot Galvanized	XB-59417	2	XB-59417	2
46	Flat Washer, 7/16", Plated	XF-41-044C8-P	2	XF-41-044C8-P	2
47	Lock Nut, 7/16" UNC, Plated	XF-31-043CC-P	2	XF-31-043CC-P	2
48	Rubber Bumper, 1-1/2" Diameter x 3/4" High	TR-SP315-006	2	TR-SP315-006	2

6. TG Power Pack (Current)



ITEM	DESCRIPTION	PART NO.	QTY
	Complete Power Pack	XA-62671	1
1	Truck Control Station, Potted	XA-58359-01	1
1	Trailer Control Station, Potted	XA-58359-02	1
2	Start Switch (Solenoid)	XB-62927-05	1
3	Terminal Strap	XB-62927-28	1
4	Valve Cartridge, 2W/2P	XA-59034	1
5	Valve Cartridge, 4W/2P	XB-62927-09	1
6	Coil, Series 10, Single Stud	XB-57905	2
7	Breather Cap	XB-62927-03	1
8	Reservoir Tank	XA-62671-17	1
9	Diode Harness	XA-58290	1
10	Pump Box Base	XA-62863	1
11	Pump Box Cover	XA-62862	1
12	Pump Box Base	XA-59221-01	1
13	Pump Box Lid	XA-59217-01	1
14	Rubber Hold-down, Strap and Pins	XA-58330	2
15	Pump and Battery Box	XA-57791-01	1
16	Side Mount, Pump Box, Trailer	XA-62959-01	1
17	Main Tube, Pump Box Mount	XA-62602-01	1
18	Pump and Battery Box Mount	XA-68514-00800	2

7. TG Power Pack (Previous)



ITEM	DESCRIPTION	PART NO.	QTY
	Complete Power Pack	XA-58360	1
1	Truck Control Station, Potted	XA-58359-01	1
1	Trailer Control Station, Potted	XA-58359-02	1
2	Start Switch (Solenoid)	XA-57636	2
3	Terminal Strap	XA-59075-17	1
4	Valve Cartridge, Poppet 2-Way	XA-59034	1
5	Coil, Series 10, Single Stud	XA-59032	1
6	Breather Cap	XA-57901	1
7	Motor, Bi-Rotational	XB-59033	1
8	Reservoir Tank	XA-59257	1
9	O-Ring Reservoir	XA-59075-18	2
10	Pump Box Base	XA-59221-01	1
11	Pump Box Lid	XA-59217-01	1
12	Rubber Hold-down, Strap and Pins	XA-58330	2
13	Pump and Battery Box	XA-57791-01	1
14	Side Mount, Pump Box, Trailer	XA-62959-01	1
15	Main Tube, Pump Box Mount	XA-62602-01	1
16	Pump and Battery Box Mount	XA-68514-00800	2

9. Accessory Kits

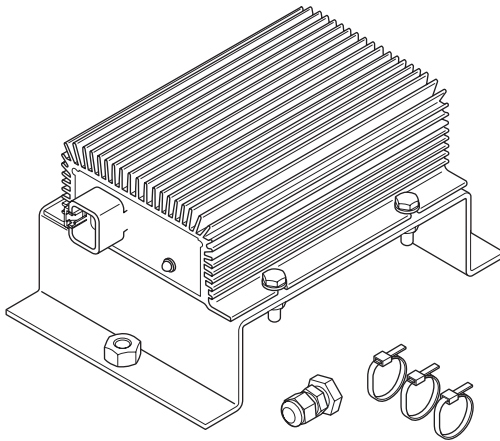
Single and Dual Pole Trailer Nose-box Kit

DESCRIPTION	KIT PART NUMBER
Semi-Trailer, Trailer Nose-box for both single and dual pole connectors	AK-59502-01

Remote Control Kit

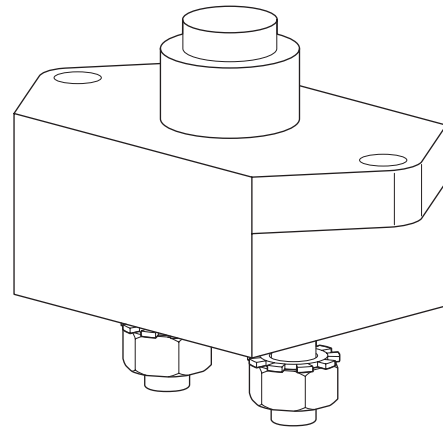
DESCRIPTION	KIT PART NUMBER
Remote Control Kit, Truck	AK-59489-01
Remote Control Kit, Trailer	AK-59489-02

Trailer Charger Kit



DESCRIPTION	KIT PART NUMBER
Auxiliary charging system, includes all wiring and mounting hardware	AK-59344

Circuit Breaker



DESCRIPTION	PART NUMBER
Circuit Breaker, Manual, 150 AMP	XB-51055



From fifth wheel rebuild kits to suspension bushing repair kits, SAF-HOLLAND Original Parts are the same quality components used in the original component assembly.

SAF-HOLLAND Original Parts are tested and designed to provide maximum performance and durability. Will-fits, look-alikes or, worse yet, counterfeit parts will only limit the performance potential and could possibly void SAF-HOLLAND's warranty. Always be sure to spec

SAF-HOLLAND Original Parts when servicing your SAF-HOLLAND product.

SAF-HOLLAND USA • 888.396.6501 • Fax 800.356.3929
www.safholland.us

SAF-HOLLAND CANADA • 519.537.3494 • Fax 800.565.7753
WESTERN CANADA • 604.574.7491 • Fax 604.574.0244
www.safholland.ca

SAF-HOLLAND MEXICO • 52.55.5362.8743 • Fax 52.55.5362.8743
www.safholland.com.mx

info@safholland.com