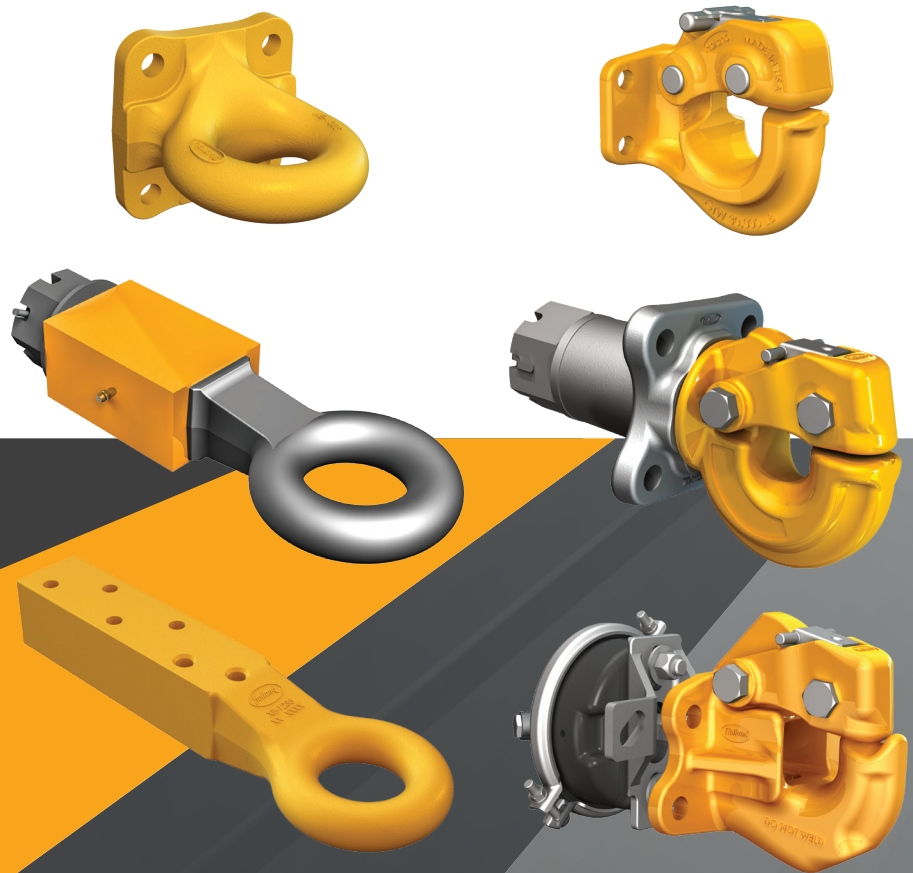




Coupling Products

OFFERING AN EXTENSIVE RANGE OF PINTLE HOOKS, DRAWBARS & COUPLERS TO MEET YOUR APPLICATION NEEDS





ORIGINAL PARTS™

ORIGINAL PARTS

Preserving the premium performance of your SAF-HOLLAND fifth wheels, axle suspensions, and landing gear requires service parts manufactured with the same original OEM quality as our first fit parts and components. This catalog conveniently provides you with a comprehensive listing of the most popular service parts and kits needed to meet your fleet customer's service needs enabling them to get back on the road to making money.

Stocking the most popular service kits streamlines your inventory control, reduces required shelf space, and simplifies your operation. And most importantly, they ensure you're getting SAF-HOLLAND 100% original quality, original performance, and original reliability. This catalog will assist with quickly leading you to the appropriate kit required. Authorized distributors and dealers can order from one of our Parts Distribution Centers. Fleets can order them through traditional parts sources.

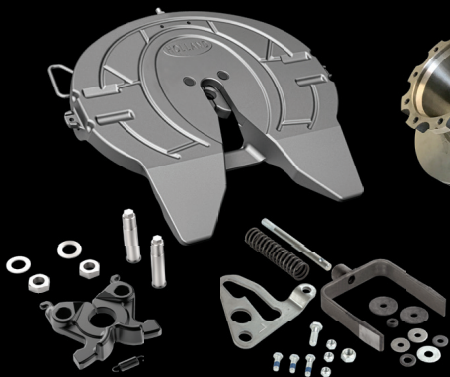
Remember... SAF-HOLLAND Original Parts are OEM quality to ensure peak performance and provide long life to keep your customers on the road.

ALWAYS SPECIFY ORIGINAL

Original Quality, Original Performance, Original Reliability

This catalog is only a portion of all the service parts and kits available from SAF-HOLLAND. Contact one of our helpful customer service representatives at 1-800-876-3929 for assistance.

ORIGINAL QUALITY



ORIGINAL PERFORMANCE



ORIGINAL RELIABILITY



Reference Sections

Part Number Index	2
Replacement Parts Numbers	4
National Stock Number (NSN) Reference Chart	4
Coupling Products by Mounting Type and Rated Capacities	5
Identifying Marks on Pintle Hooks, Couplers and Drawbars	6
Drawbar Compatibility Chart	46
General Safety Information	66
Coupling System Selection	68
Operating Conditions	69
Cushioning Systems	69
Mounting Information	70
Glossary	71

Pintle Hooks

Rigid Mount

BH-200RN & BH-50mmRN	8
PH-10RP41	9
PH-T-60-AOL-8	10
PH-30RP41	11

Swivel Mount

PH-30SA41	12
PH-30SB41	13
PH-T-60-AOS-L-8	14
NoLube™	15
PH-760, PH-760-1	16
PH-760SL11	17
PH-775-01552	18
PH-775SL11	19

Rigid Mount - Air Cushioned

PH-300 & PH-300-R	20
PH-210	21
PH-310	22
PH-550	23
PH-400 / 400-H	24
PH-410	25
PH-419	26
Air Chamber Assemblies and Mounting Kits	27

Couplers

CP-400-H	30
CP-360	31
CP-740 & CP-730	32
PH-990ST71	33
BH-50	34

Couplers (non-road) for Industrial/GSE

CP-400-GSE & CP-400-CA	38
XA-T-150-AF and CP-T-150-S02986	39
EH-3050	40-43

EH-HD	40-43
EH-3050 & EH-HD Mounting Options	42
EH-3050 & EH-HD Replacement Parts	42
EH-3050 & EH-HD Dimensions	43
DB-010EJ1 & DB-020FK1	44

Drawbar Eyes and Hinge Assembly

DB-1250-3	50
DB-040DQ1	51
DB-060FQ1	51
DB-100FQ1	51
DB-1228-1	52
DB-1238	52
DB-1245-1	52
DB-1235-1	52
DB-1235-3	52
DB-1400	54
DB-1422	54
DB-1400AC (Air Cushioned)	55
DB-1407 Series	56
DB-1407-SE	57
DB-1407-S	57
DB-045BW1	58
DB-45BS1	58
DB-610-30	59
DB-1249-49	59
Drawbar Hinge Assembly	60

Coupling Products & Accessories

Drawbar Guides	62
Tow Hooks	62
Pintle Hook Wear Gages	63
Drawbar Gages	63
Plunger Adjustment Gages	63

Dolly Spotter

Dolly Master TF-675 and TF-675-1	64-65
--	-------

Part Number Index



SAF-HOLLAND Group

PART NUMBER	PAGE NO.
1422	5, 6, 47, 52
AA-52550-1	6
AA-52550-2	6
AA-52550-4	6
AA-55220-3	6
BH-50	5, 34
BH-50mmRN	5, 40, 46, 61
BH-50mmRN41	8
BH-50mmRN51	8
BH-200RN	5, 40, 46, 61
BH-200RN41	8
BH-200RN51	4, 8
CP-360	4, 5, 31, 46
CP-360-S01340	4
CP-380	4, 6
CP-400-5A	4, 6
CP-400-CA	4, 5, 6, 38
CP-400-GSE	5, 6, 38, 46
CP-400-H	4, 5, 6, 32, 46
CP-400-S04729	4
CP-730	4, 5, 32, 46
CP-730-S05745	4
CP-740	5, 6, 32, 46
CP-T-150-S02986	39
DB-010EJ1	5, 6, 44, 46
DB-020FK1	5, 6, 44, 46
DB-030DQ1	6, 46
DB-040DQ1	4, 5, 6, 46, 49
DB-045BS1	5, 47, 56
DB-045BW1	5, 6, 47, 56
DB-060FQ1	4, 5, 6, 47, 49
DB-100FQ1	5, 6, 47, 49
DB-610-30	4, 5, 6, 47, 57, 69
DB-1228-1	5, 6, 46, 50, 51
DB-1235-1	4, 5, 6, 46, 50, 51
DB-1235-3	5, 6, 46, 50, 51
DB-1238	4, 5, 6, 46, 50, 51
DB-1245-1	5, 6, 46, 50, 51
DB-1249-2H	4, 6
DB-1249-49	4, 5, 6, 46, 57
DB-1249-S06588	4
DB-1250-3	4, 5, 6, 46, 48
DB-1250-15	4
DB-1307-S	4
DB-1307-S-1	6
DB-1385	4
DB-1400	5, 47, 52
DB-1400AC	5, 47, 53, 69
DB-1407	5, 6, 47, 54, 55, 69
DB-1407-S	5, 6, 47, 54, 55, 69
DB-1407-SE	5, 6, 47, 54, 55, 69
DB-1422	5, 6, 47, 52
EH-20	4, 40
EH-40	4, 40
EH-3050	4, 5, 40, 41, 42, 46
EH-3050AL-13	42
EH-3050AL-14	42
EH-3050AL-17	42
EH-HD	5, 40, 41, 42, 43, 46
MH-1800-D	6
PH-10RP	5, 9, 40, 46, 61
PH-10RP41	9
PH-10RP51	4, 9
PH-16-B	4, 6
PH-30	4, 6
PH-30RP	5, 9, 40, 46, 61

PART NUMBER	PAGE NO.
PH-30RP41	4, 6, 11
PH-30RP51	4, 11
PH-30SA	5, 46, 61, 69
PH-30SA41	4, 12, 69
PH-30SA51	12
PH-30SB	5, 46, 61, 69
PH-30SB41	4, 13
PH-30SB51	13
PH-30SE41	12, 13
PH-30SE51	12, 13
PH-35	6
PH-75	4
PH-200	4, 6, 61
PH-200-1	4
PH-207A	4
PH-210	5, 6, 21, 46, 60, 61, 69
PH-210RA	27
PH-210RA11	4, 21
PH-210RF	27
PH-210RF11	21
PH-210RM	27
PH-210RM11	21
PH-210RN	27
PH-210RN11	4, 21
PH-300	5, 6, 20, 27, 46, 60, 61, 69
PH-310	5, 6, 22, 46, 60, 61, 69
PH-310RA	27
PH-310RA11	22
PH-310RF	27
PH-310RF11	22
PH-310RM	27
PH-310RM11	22
PH-310RN	27
PH-310RN11	22
PH-400	5, 6, 24, 27, 46, 60, 61, 69
PH-410	5, 6, 25, 46, 60, 61, 69
PH-410RA	25
PH-410RA11	25
PH-410RF	27
PH-410RM	27
PH-410RM11	25
PH-410RN	27
PH-410RN11	25
PH-419	5, 6, 26, 46, 60, 61, 69
PH-419RA	27
PH-419RA11	26
PH-419RF	27
PH-419RF11	26
PH-419RM	27
PH-419RM11	26
PH-419RN	27
PH-419RN11	29
PH-550	5, 23, 27, 46, 60, 61, 69
PH-760	5, 6, 16, 46, 61
PH-760M-A	4
PH-760M-X	4
PH-760SL11	17
PH-760SL21	17
PH-775	4, 5, 18, 46, 61
PH-775-01552	4
PH-772-01552-1	18
PH-775-E	4
PH-775SL11	6, 17, 69
PH-775SL21	4, 6, 17
PH-990ST71	5, 6, 33, 46, 69
PH-T-60-AL	4, 6

PART NUMBER	PAGE NO.
PH-T-60-AOL-8	4, 5, 6, 10, 40, 46
PH-T-60-AOS-L-8	4, 5, 6, 14, 46, 61
PH-T-60-C	4
PH-T-60-S08350	4
PH-T-90-A	4, 6, 61
PH-T-100-A	4, 6
PH-T-125-A	4, 6
PH-T-126-A	4, 6, 61
PH-T-370	4
RK-02536	20, 24
RK-02772	16
RK-03179	20
RK-05961	16
RK-06683	34
RK-62-O	10, 14
RK-1024	60
RK-10291	33
RK-10545	17, 19, 21, 22, 25-26
RK-10545-1	17, 19, 21, 22, 25-26
RK-10632	9, 11, 12, 13
RK-10632-1	9, 11, 12, 13
RK-10636	8
RK-10636-1	8
XB-11048	8
XB-11157	8
RK-11438	42
RK-11439	42
RK-11440	42
RK-11492	17
RK-11789	42
RK-11510	19
RK-13041	58
RK-775	18
RK-T-61	14
RK-T-150-S02986	39
RK-T-551	33
TF-03147	61
TF-03147-1	61
TF-675	62, 63
TF-10520	61
TF-10521	61
TF-10522	61
TF-10523	61
TF-10612	61
TF-10960	61
TF-11882	61
TF-11883	61
TF-11884	61
TF-11885	61
TF-11886	61
TF-11887	61
TH-10050-3	60
TH-10050-3L	60
TH-10050-5	60
TH-10050-5L	60
XA-01154	31
XA-01740	32
XA-02235	34
XA-02240	34
XA-02241	33
XA-02555	60
XA-02556	60
XA-02608	20, 21, 22, 24, 25, 26, 27
XA-02721	34
XA-04156	20, 21, 24-27
XA-04297	53



PART NUMBER	PAGE NO.
XA-04430	34
XA-04337	34
XA-05263	34
XA-05264	33, 34
XA-05738	32
XA-05739	32
XA-05740	32
XA-05798	55
XA-05799	55
XA-05807	55
XA-05809	55
XA-06101	31, 32
XA-07760	31
XA-08361	63
XA-08364	63
XA-08370	63
XA-08375	63
XA-08636	16
XA-09862	23, 27
XA-100-4	18
XA-199-6	16
XA-211	38
XA-392	31
XA-394	31
XA-401-X3	30
XA-402-X1	30, 38
XA-404-A	30
XA-404-X	34
XA-732	32
XA-736	32
XA-749-2	18
XA-762	16
XA-766-2Z	18
XA-782	18, 19
XA-1403	53
XA-1404-1	53
XA-1404-2	53
XA-1404-3	53
XA-1404-4	53
XA-2524-R-13-1	63
XA-2524-R-12	63
XA-10008	35
XA-10198	27
XA-10286	33
XA-10287	33
XA-10546	19
XA-10891	13
XA-11042	32
XA-11471	17
XA-11462	17
XA-11525	20-27
XA-T-2	39
XA-T-60-A	6
XA-T-88	31, 32
XA-T-150-AF	4, 39
XA-T-361	33
XB-0437	33
XB-01996	65
XB-02724	34
XB-02745	34
XB-03103	20, 23, 24
XB-03104	17, 19-26
XB-03731	32
XB-04473	30, 38
XB-04847	39
XB-05490	23

PART NUMBER	PAGE NO.
XB-05491	23
XB-05492	23
XB-05493	23
XB-05494	23
XB-05496	23
XB-05497	23
XB-05498	23
XB-05499	23
XB-05514	34
XB-05679-2	63
XB-05754	23
XB-05788	54, 55
XB-05789	55
XB-05808	55
XB-05813	55
XB-05825	23
XB-06134	23
XB-06150	32
XB-06181	34
XB-120-2	18
XB-127	16, 18
XB-128	16
XB-196-3	23
XB-21-S-187-1250	32
XB-21-S-250-1250	34
XB-21-S-312-1250	32
XB-21-S-500-1000	32
XB-382	30, 38
XB-403	30, 32, 38
XB-5	31
XB-639	34
XB-646	39
XB-698	63
XB-708	30, 38
XB-757	18
XB-758	14
XB-763	16
XB-767	12, 14, 16, 31, 32
XB-767-10	18
XB-768	16
XB-770-1	33
XB-771-1	16
XB-772	16, 17
XB-773	14, 16
XB-780-1	18, 19, 33
XB-781-1	18, 19
XB-3547	34
XB-10089	16
XB-10109	30, 38
XB-10537	17, 19, 21, 22, 25, 26
XB-10539	17
XB-10569	17
XB-10738	33
XB-11048	8-14
XB-11157	8-14
XB-11465	17
XB-11470	17
XB-11888	61
XB-165945	20-27, 53
XB-166321	27
XB-C-95	63
XB-C-375-C-125	63
XB-C-375-C-150	34
XB-E-552-1	18
XB-H-38	34
XB-HNH-34-F	16, 17

PART NUMBER	PAGE NO.
XB-PWM-38-78	34
XB-S10647	17, 19, 21, 22, 25, 26
XB-T-9N	12
XB-T-20-2	30, 31
XB-T-33-A	31
XB-T-45-1	14
XB-T-52	12, 13
XB-T-56	13
XB-T-60	12, 13, 16, 17, 32
XB-T-61	33, 63
XB-T-69-C	13, 63
XB-T-89	12-14
XB-T-89-4	12-14
XB-T-199	20-27
XB-T-306	33
XB-T-307	33
XB-T-317-8	33
XB-T-318	54
XB-T-361	33
XB-T-362	33
XB-T-377	31
XB-T-992	33
XB-T-993	33
XB-T-993-1	33
XB-TLN-1000-7	33
XD-01155-1	6
XD-02275-1	6
XD-02384-2	6
XD-361	6
XD-380	6
XD-400	6
XD-400-5-1	6
XD-731	6
XD-10802-F	12
XD-10802-R	12
XD-5275	58
XD-5315	58
XD-10286	6
XD-10570	6
XD-10572	6
XD-10573	6
XD-11231	6
XE-1228	6
XE-1230	6
XE-1235	6
XE-1245	6
XE-1249	6
XE-1249-2H-10	6
XE-1249-48	6
XE-1385	6
XE-02137-HLH	6
XE-10373	6
XE-T-87	6
XE-T-91	6
XW-1235	6
XW-1249-48	6

Replacement Part Numbers & NSN Reference Chart



SAF-HOLLAND Group

Replacements for Discontinued Models

Discontinued	Replaced By	Discontinued	Replaced By
CP-380	Discontinued	PH-200	PH-210RA11
CP-400-H		PH-200-1	PH-210RN11
CP-400-5A	Discontinued	PH-207A	Discontinued
DB-1250-15	DB-040DQ1	PH-30	PH-30RP41
DB-1307-S	Discontinued	PH-75	Discontinued
DB-1385	DB-060FQ1	PH-T-60-AL	Discontinued
EH-20/40	EH-3050	PH-T-90-A & PH-T-100-A	PH-30SA41
PH-16-B	BH-200RN51	PH-T-125-A & PH-T-126-A	PH-30SB41

* Mounting hole pattern different

National Stock Number* (NSN) Reference Chart

*also referred to as 'NATO' Stock Number

HOLLAND Cage Code** – 74410

HOLLAND Casting Code – HLH

**NATO Commercial and Governmental Entity (NCAGE) Code

NSN	DESIGNATED HOLLAND MODEL NUMBER	MODEL STATUS	CURRENT HOLLAND MODEL
PINTLE HOOKS			
2540012653887		Obsolete	BH-200RN51
2540006519484	PH-T-60-C	Obsolete	No Replacement
2540007072564	PH-T-370	Obsolete	No Replacement
2540007760103	PH-760M-X Series	Active	PH-760M-S Series
2540008359039	PH-30	Obsolete	PH-30RP51
	PH-T-60-AOL-8	Active	PH-T-60-AOL-8
2540008916831	PH-T-60-AL	Obsolete	PH-10RP51
2540012819723	PH-75	Obsolete	No Replacement
2540013373725	PH-760M-A Series	Active	PH-760M-A Series
2540013768063	PH-T-60-AOS-L-8	Active	PH-T-60-AOS-L-8
2540013892221	PH-T-60-AOL-8	Active	PH-T-60-AOL-8
2540014759206	PH-775-E	Active	PH-775-E
2540015070802	PH-775-01552	Active	PH-775-01552
2540015306881	PH-T-60-S08350	Spec'd no paint – Contact SAF-HOLLAND for information	
2540015584395	PH-775SL21	Active	PH-775SL21
COUPLERS			
2540012137842	CP-360	Discontinued	CP-360
2540004999407	CP-400-5A	Discontinued	CP-400-5A
2540007687455	CP-400-CA	Discontinued	CP-400-CA
2540011460115	CP-400-S04729	Discontinued	CP-400-S04729
2540012058577	CP-360-S01340	Discontinued	CP-360-S01340
2540013594964	CP-730-S05745	Discontinued	CP-730-S05745
DRAWBARS			
2540011647252	DB-060FQ1	Active	DB-060FQ1
2540011647252	DB-1385	Obsolete	DB-060FQ1
2540011924699	DB-1238	Active	DB-1238
2540012356865	DB-1235-1	Active	DB-1235-1
2540013825836	DB-1249-S06588	Active	DB-1249-S06588
2540014619306	DB-1250-3	Active	DB-1250-3
2540014886221	DB-610-30	Active	DB-610-30
5306011974369	DB-1249-2H	Active	DB-1249-2H
5306012698693	DB-1249-49	Active	DB-1249-49



SAF-HOLLAND Group

Coupling Products by Mounting Type and Rated Capacities

MODEL	MOUNT	MAXIMUM VERTICAL LOAD		MAXIMUM GROSS TRAILER WEIGHT		MAXIMUM GROSS TRAILER WEIGHT WITH A MAXIMUM VERTICAL LOAD OF 500 LB. (227 KG)	
		lb.	kg	lb.	kg	lb.	kg
PINTLE HOOKS							
BH-200RN / BH-50mmRN	Rigid - Hook Rating	4,000	1,814	20,000	9,072		
	Rigid - Ball Rating	1,000	454	10,000	4,536		
PH-10RP Discontinued	Rigid	2,000	907	10,000	4,536		
PH-T-60-AOS-L-8	Swivel	3,600	1,633	18,000	8,165		
PH-T-60-AOL-8	Rigid	6,000	2,722	30,000	13,608		
PH-30RP	Rigid	6,000	2,722	30,000	13,608		
PH-30SA	Swivel	6,000	2,722	30,000	13,608		
PH-30SB	Swivel	6,000	2,722	30,000	13,608		
PH-760	Swivel	9,800	4,445	49,000	22,226		
PH-775	Swivel	20,000	9,072	100,000	45,360		
'AIR CUSHIONED' PINTLE HOOKS							
PH-300 / PH-300-R Discontinued	Rigid	18,000	8,165	72,000	32,659		
PH-210	Rigid	18,000	8,165	90,000	40,824		
PH-310	Rigid	20,000	9,072	100,000	45,360		
PH-400 / PH-400-H	Rigid	20,000	9,072	100,000	45,360		
PH-410	Rigid	20,000	9,072	100,000	45,360		
PH-419	Rigid	20,000	9,072	100,000	45,360		
PH-550	Rigid	25,000	11,340	100,000	45,360		
COUPLERS – DROP JAW							
CP-400-H	Rigid	7,500	3,402	30,000	13,608		
CP-360 Discontinued	Rigid	3,000	1,361	52,000	23,587		
CP-730	Swivel	20,000	9,072	100,000	45,360		
CP-740	Rigid	20,000	9,072	100,000	45,360		
COUPLERS – PIN & CLEVIS							
PH-990ST71	Swivel	3,000	1,361	100,000	45,360		
BALL HITCH							
BH-50 Discontinued		8,000	3,629	80,000	36,288		
COUPLINGS (NON-ROAD) FOR INDUSTRIAL / GSE							
CP-400-GSE / CP-400-CA Discontinued	Rigid	7,500	3,402	30,000	13,608		
EH-3050	Rigid	500	227	50,000	22,680		
EH-HD	Rigid	1,000	454	50,000	22,680		
DB-010EJ1	Weld-On	2,000	907	10,000	4,536	20,000	9,072
DB-020FK1	Weld-On	4,000	1,814	20,000	9,072	40,000	18,144
DRAWBARS							
DB-1250-3	Rigid Bolt-On	3,000	1,361	15,000	6,804	50,000	22,680
DB-1228-1	Rigid Bolt-On	4,000	1,814	20,000	9,072	60,000	27,216
DB-1238	Rigid Bolt-On	4,500	2,041	22,000	9,979	70,000	31,752
DB-1407-SE	Swivel Weld-On	500	227	34,000	15,422		
DB-1235-1	Rigid Bolt-On	7,000	3,175	35,000	15,876	90,000	40,824
DB-1235-3	Rigid Bolt-on	7,000	3,175	35,000	15,876	90,000	40,824
DB-1407-S	Swivel Weld-On	500	227	40,000	18,144		
DB-040DQ1	Rigid Bolt-On	8,000	3,629	40,000	18,144	60,000	27,216
DB-1245-1	Rigid Bolt-On	8,000	3,629	40,000	18,144	90,000	40,824
DB-1249-49	Rigid Bolt-On	9,000	4,082	45,000	20,412	85,000	38,556
DB-045BW1	Swivel Weld-On	9,000	4,082	45,000	20,412	85,000	38,556
DB-045BS1	Rigid Bolt-On	9,000	4,082	45,000	20,412	85,000	38,556
DB-610-30	Swivel Weld-On	9,000	4,082	45,000	20,412	85,000	38,556
DB-060FQ1	Rigid Bolt-On	15,000	6,804	60,000	27,216	90,000	40,824
DB-1407 Series	Rigid Bolt-On	16,000	7,258	85,000	38,556	120,000	54,432
DB-1400	Rigid Weld-On	18,000	8,165	90,000	40,824	120,000	54,432
DB-1422	Rigid Weld-On	18,000	8,165	90,000	40,824	120,000	54,432
DB-100FQ1	Rigid Bolt-On	20,000	9,072	100,000	45,360	125,000	56,700
DRAWBARS 'AIR CUSHIONED'							
DB-1400AC	Rigid Weld-On	18,000	8,165	90,000	40,824	120,000	54,432

Identifying Marks on Pintle Hooks, Couplers and Drawbars

PART NUMBER	MAIN FRAME NUMBER	DISTINGUISHING FEATURES
PH-16-B	XE-02137-HLH	2" Fixed Ball Duplex Hitch
PH-30	AA-52550-4	Has Push-Button Lock
PH-30RP41	AA-52550-4	Rigid Pintle Hook with 4-Bolt 1.75" x 2.38" Bolt Pattern
PH-35	AA-52550-1	Swivel Pintle Hook with Mounting Flanges
PH-200	XD-02384-2	7/8" 4-Bolt Mounting
PH-210	XD-10570	7/8" 4-Bolt Mounting
PH-300	XD-01155-1	7/8" 6-Bolt Mounting 1.88" x 6" Spacing
PH-310	XD-10572	7/8" 6-Bolt Mounting 1.88" x 6" Spacing
PH-400	XD-02275-1	7/8" 10-Bolt Mounting
PH-400-H	XD-02275-1	7/8" 8-Bolt Mounting
PH-410	XD-10573	7/8" 6-Bolt Mounting 2.38" x 5" Spacing
PH-419	XD-11231	7/8" 6-Bolt Mounting 2.38" x 5" Spacing
PH-760	AA-52550-2	3/4" 2-Bolt Mounting Flanges 6.5" Apart
PH-775SL11	AA-55220-3 74410	Swivel Pintle Hook with Housing
PH-775SL21	AA-55220-3 74410	Swivel Pintle Hook with Housing
PH-T-60-AL	XA-T-60-A	1/2" 4-Bolt Mounting 2.12" x 3.4" Bolt Pattern
PH-T-60-AOL-8	AA-52550-4	Has Cotter Pin and Chain Latch Lock
PH-T-60-AOS-L-8	AA-52550-1	Swivel Pintle Hook with Mounting Flanges
PH-T-90-A	XE-T-91	Swivel Pintle Hook with Mounting Flanges and Square Spring
PH-T-100-A	XE-T-87	Swivel Pintle Hook with Mounting Flanges and Round Spring
PH-T-125-A	XE-T-87	Swivel Pintle Hook - Undermount and Round Spring
PH-T-126-A	XE-T-91	Swivel Pintle Hook - Undermount and Square Spring
PH-990ST71	XD-10286	Swivel Pintle Hook with Housing and Large "Fish Mouth"
CP-380	XD-380	Rigid Coupler 4-Bolt 4.5" x 4.5"
CP-380-A	XD-380	Rigid Coupler 4-Bolt 4.5" x 4.5" Bolt Pattern and Secondary Lock
CP-400-5A	XD-400-5-1	Rigid Coupler 4-Bolt 1.5" x 3.25" Bolt Pattern
CP-400-CA	XD-400	Rigid Coupler 4-Bolt 4.5" x 4.5" Bolt Pattern
CP-400-GSE	XD-400	Rigid Coupler 4-Bolt 4.5" x 4.5" Bolt Pattern
CP-400-H	XD-400	Rigid Coupler 4-Bolt 4.5" x 4.5" Bolt Pattern with Secondary Lock
CP-740	XD-731	Rigid Coupler with Hood
DB-010EJ1	DB-010EJ1	2.5" I.D. Eye with 2" x 4" Mounting Base
DB-020FK1	MH-1800-D	3" I.D. Eye
DB-030DQ1	XE-10373	2.5" Eye with 4-Bolt Mounting for 1/2" Bolts
DB-040DQ1	XE-10373	2.5" Eye with 4-Bolt Mounting for 5/8" Bolts
DB-060FQ1	XE-1385	3" I.D. Eye with 4-Bolt Mounting for 3/4" Bolts
DB-100FQ1	XE-1385	3" I.D. Eye with 4-Bolt Mounting for 7/8" Bolts
DB-045BW1	Date Stamp Only	2.38" I.D. Eye Drawbar with Housing 3" x 4" x 6"
DB-610-30	XW-1249-48	3" I.D. Eye Drawbar with Housing 3" x 4" x 6"
DB-1228-1	XE-1228	2.5" I.D. Eye with 6-Bolt Mounting 1.25" x 3" Shank
DB-1235-1	XE-1235	3" I.D. Eye with 6-Bolt Mounting 3.12" x 3.12" Shank
DB-1235-3	XW-1235	3.0" I.D. Eye with 6-Bolt Mounting 3.12" x 3.0" Shank
DB-1238	XE-1230	3" I.D. Eye with 6-Bolt Mounting 1.62" x 3" Shank
DB-1245-1	XE-1245	2.38" I.D. Eye with 6-Bolt Mounting 3.12" x 3.12" Shank
DB-1249-2H	XE-1249-2H-10	3" I.D. Eye with 2" O.D. x 4.25" Shank
DB-1249-49	XE-1249-48	3" I.D. Eye with 2" O.D. x 8.5" Shank
DB-1250-3	Date Stamp Only	2.5" I.D. Eye Drawbar with 1.5" Diameter x 3.25" Shank
DB-1307-S-1	XE-1249	3" I.D. Eye Drawbar with Housing 5" O.D. x 8.25"
DB-1400	DB-1400	2.38" I.D. Eye Weld-on Drawbar
DB-1400AC-1	DB-1400AC	2.38" I.D. Eye Weld-on Drawbar with Snubber on 12" Rod
DB-1400AC-2	DB-1400AC	2.38" I.D. Eye Weld-on Drawbar with Snubber on 8" Rod
DB-1400AC-3	DB-1400AC	2.38" I.D. Eye Weld-on Drawbar with Snubber on 7" Rod
DB-1400AC-4	DB-1400AC	2.38" I.D. Eye Weld-on Drawbar with Snubber on 10" rod
DB-1407-S	Date Stamp Only	2.38" I.D. Eye Drawbar with Housing 5" O.D. x 8.25"
DB-1407-SE	Date Stamp Only	2.38" I.D. Eye Drawbar with Housing 5" O.D. x 9.63"
DB-1422	1422	2.38" I.D. Eye Drawbar for "A-Frame" Mounting

PINTLE HOOKS



- Rigid Mount
- Swivel Mount
- NoLube™
- Air Cushioned

Pintle Hooks – Rigid Mount

DISCONTINUED
Service parts only are available.
06/23/2023 and 12/31/2021



SAF-HOLLAND Group

U.S. and other patents apply

BH-200RN41 Features 2" diameter ball
BH-50mmRN41 Features 50mm diameter ball

Application

A rigid mount pintle hook that combines a pintle hook and ball hitch. Designed for customers who need the strength and capacity to pull trailers equipped with drawbars, as well as the flexibility to pull trailers with a 2" or 50mm ball hitch.



One-hand operation and automatic secondary lock

Our unique design is:

- Stronger and more durable than removable ball designs.
- Shape eliminates premature wear typically caused by the drawbar pulling against the ball.
- Provides better oscillation and articulation in off-road conditions than a removable ball design.



Forged from a special steel alloy that is heat treated for strength, and durability.



Available with a tethered lock pin as BH-200RN51 or BH-50mmRN51

Weight: 10 lbs. (4.5 kg)

Capacities

Pintle Hook:

20,000 lbs. (9,070 kg) Maximum Gross Trailer Weight
4,000 lbs. (1,810 kg) Maximum Vertical Load

2" Ball / 50mm Ball:

10,000 lbs. (4,540 kg) Maximum Gross Trailer Weight
1,000 lbs. (454 kg) Maximum Vertical Load

Drawbar Eye Dimensions

2.38" to 3" I.D. with 1.25" to 1.63" diameter section.

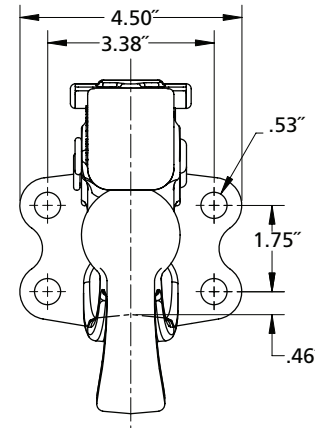
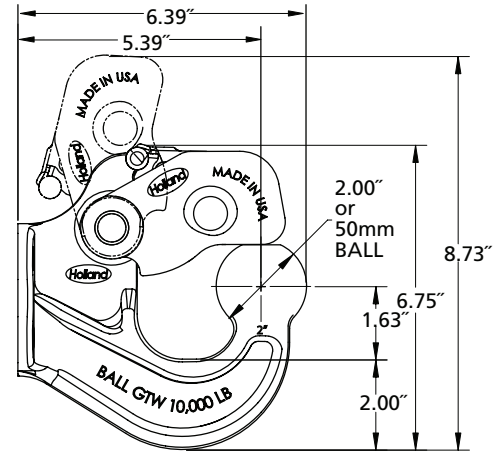
Additional Information

- For off-road* applications, reduce the above maximum capacities by 25% and use with a swivel-mount drawbar.
- Tested in accordance with SAE J847.
- For additional specification detail, refer to document numbers:

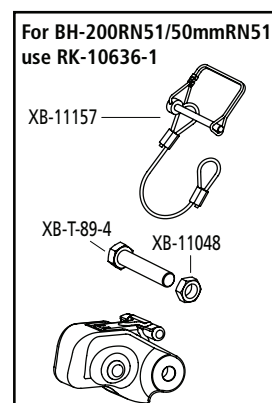
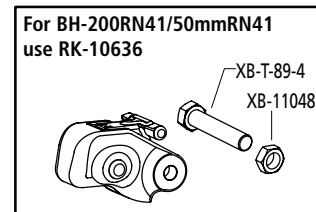
XL-PH377 for BH-200RN41
XL-PH385 for BH-200RN51
XL-PH379 for BH-50mmRN41
XL-PH384 for BH-50mmRN51

* See definition on page 71

Mounting Dimensions



Replacement Parts





SAF-HOLLAND Group

DISCONTINUED
Service parts only are available.
12/31/2021

Pintle Hooks – Rigid Mount

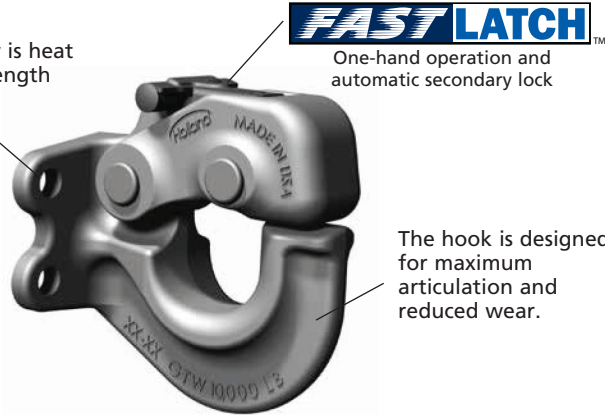
U.S. and other patents apply

PH-10RP41

Application

A rigid mount pintle hook designed for over-the-road and off-road towing.

Cast steel body is heat treated for strength and durability.



FAST LATCH™

One-hand operation and automatic secondary lock

The hook is designed for maximum articulation and reduced wear.



Available with a tethered lock pin as PH-10RP51

Weight: 7.5 lbs. (3.4 kg)

Capacities

10,000 lbs. (4,540 kg) Maximum Gross Trailer Weight
2,000 lbs. (910 kg) Maximum Vertical Load

Drawbar Eye Dimensions

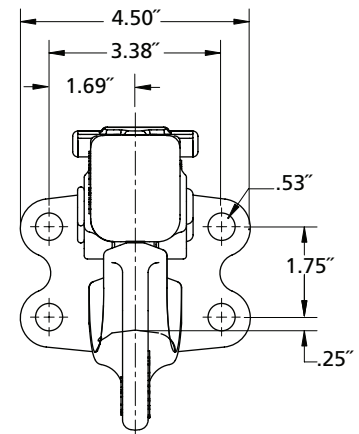
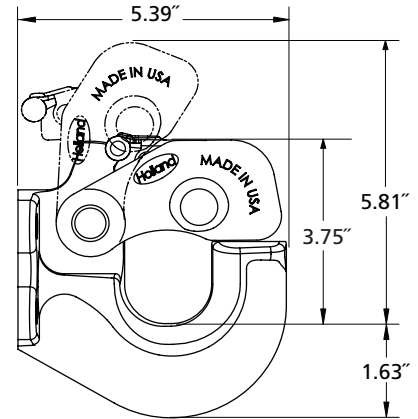
2" to 3" I.D. with 1.25" to 1.63" diameter section.

Additional Information

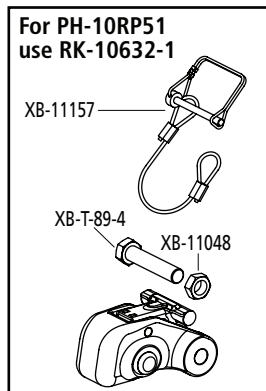
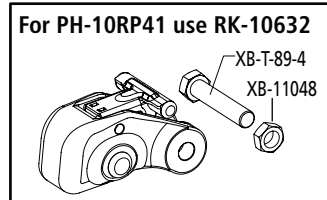
- For off-road* applications, reduce the above maximum capacities by 25% and use with a swivel-mount drawbar.
- Tested in accordance with SAE J847.
- For additional specification detail, refer to document number XL-PH350. For PH-10RP51, refer to XL-PH387.

* See definition on page 71

Mounting Dimensions



Replacement Parts



Pintle Hooks – Rigid Mount

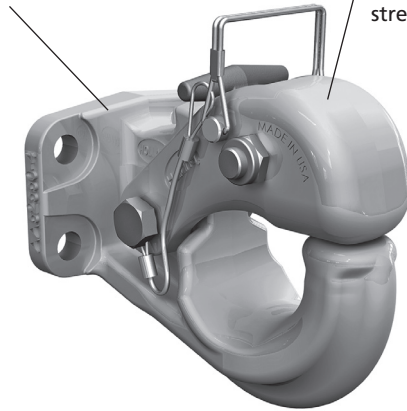
PH-T-60-AOL-8

Application

A rigid mount pintle hook designed for over-the-road and off-road towing within stated capacities.

Forged from a special steel alloy that is heat treated for strength and durability.

The latch is cast steel alloy and heat treated for strength and long life.



Weight: 11 lbs. (5 kg)

Capacities

30,000 lbs. (13,610 kg) Maximum Gross Trailer Weight
6,000 lbs. (2,720 kg) Maximum Vertical Load

Drawbar Eye Dimensions

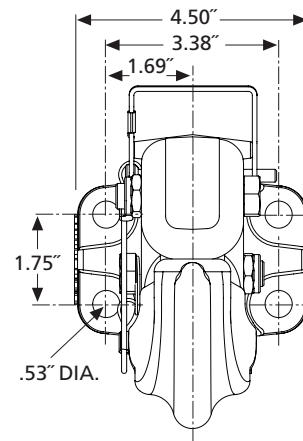
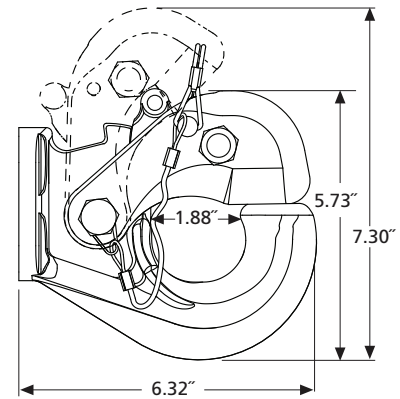
2" to 3" I.D. with 1.25" to 1.63" diameter section.

Additional Information

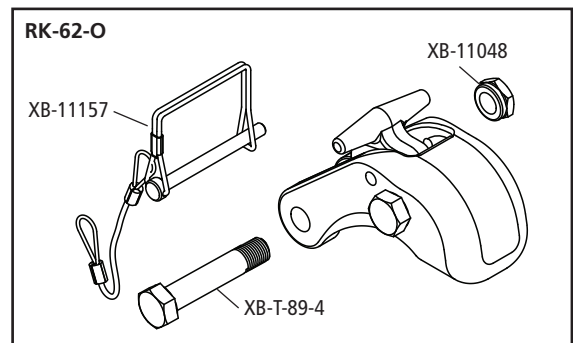
- For off-road* applications, reduce the above maximum capacities by 25% and use with a swivel-mount drawbar.
- Tested in accordance with SAE J847.
- For additional specification detail, refer to document number XL-PH20031UM

* See definition on page 71

Mounting Dimensions



Replacement Parts



PH-30RP41

Application

A versatile rigid mount pintle hook designed for over-the-road and off-road towing.



One-hand operation and automatic secondary lock

The hook is designed for maximum articulation and reduced wear.

Forged from a special steel alloy that is heat treated for strength and durability.

Available with a tethered lock pin as PH-30RP51

Weight: 8.4 lbs. (4.2 kg)

Capacities

30,000 lbs. (13,610 kg) Maximum Gross Trailer Weight
6,000 lbs. (2,720 kg) Maximum Vertical Load

Drawbar Eye Dimensions

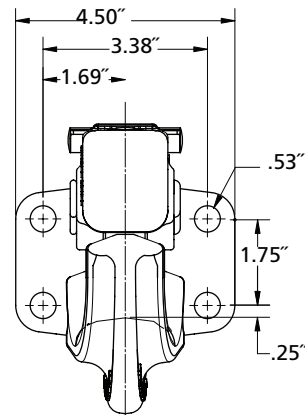
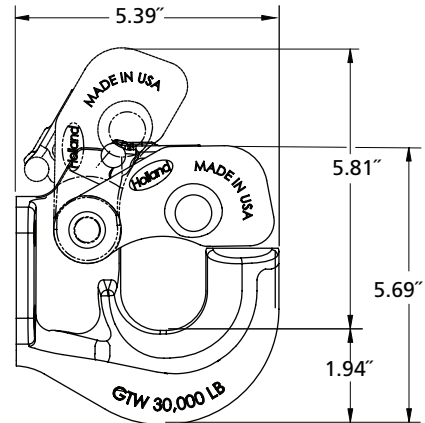
2.38" to 3" I.D. with 1.25" to 1.63" diameter section.

Additional Information

- For off-road* applications, reduce the above maximum capacities by 25% and use with a swivel-mount drawbar.
- Tested in accordance with SAE J847.
- For additional specification detail, refer to document number XL-PH351. For PH-30RP51 refer to XL-PH364.

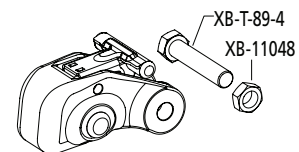
* See definition on page 71

Mounting Dimensions

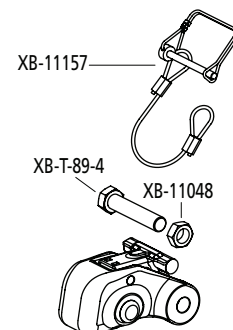


Replacement Parts

For PH-30RP41 use RK-10632



For PH-30RP51 use RK-10632-1



PH-30SA41

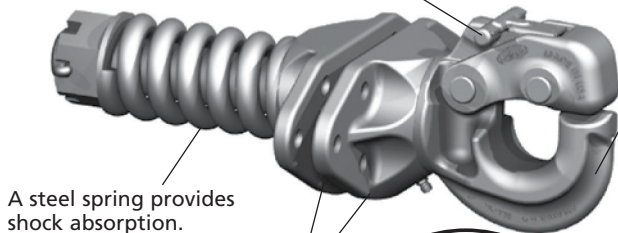
Application

A split flange mount, swivel style pintle hook designed for over-the-road and off-road applications. The spring provides shock absorption at the coupling—ideal for utility and construction applications.



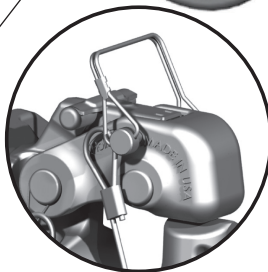
One-hand operation and automatic secondary lock

Forged from a special steel alloy that is heat treated for strength and durability.



A steel spring provides shock absorption.

Cast ductile iron mounting flanges for max. 5/8" plate.



Available with a tethered lock pin as PH-30SA51.

Weight: 32 lbs. (14.5kg)

Capacities

30,000 lbs. (13,610 kg) Maximum Gross Trailer Weight
6,000 lbs. (2,720 kg) Maximum Vertical Load

Drawbar Eye Dimensions

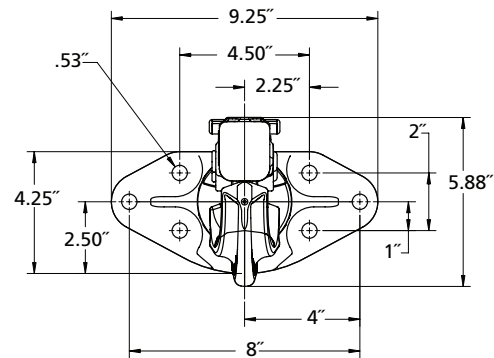
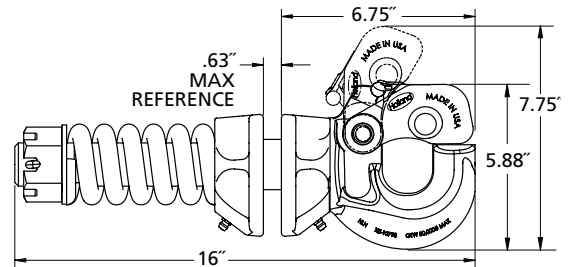
2.38" to 3" I.D. with 1.25" to 1.63" diameter section.

Additional Information

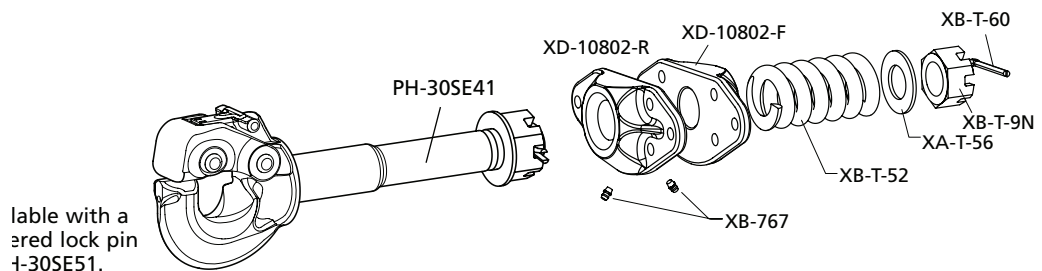
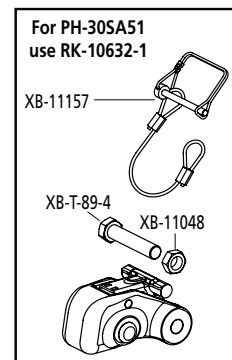
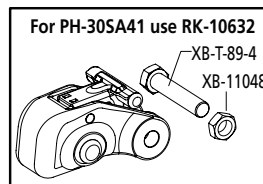
- For off-road* applications, reduce the above maximum capacities by 25%. Not for use with a swivel-mount drawbar.
- Tested in accordance with SAE J847.
- For additional specification detail, refer to document number XL-PH368. For PH-30SA51 refer to XL-PH369.

* See definition on page 71

Mounting Dimensions



Replacement Parts





SAF-HOLLAND Group

Pintle Hooks – Swivel Mount (with Spring Shock Absorption)

PH-30SB41

U.S. and other patents apply

Application

An under-mount, swivel style pintle hook designed for over-the-road and off-road applications. The spring provides shock absorption at the coupling—ideal for utility and construction applications.



One-hand operation and automatic secondary lock

Fully machined, high-strength, cast ductile iron housing with a zerk fitting for easy lubrication.

Steel spring provides shock absorption.

Integrated mount for cross-bracing.

Weight: 38 lbs. (17.2 kg)

Available with a tethered lock pin as PH-30SB51



Capacities

30,000 lbs. (13,610 kg) Maximum Gross Trailer Weight
6,000 lbs. (2,720 kg) Maximum Vertical Load

Drawbar Eye Dimensions

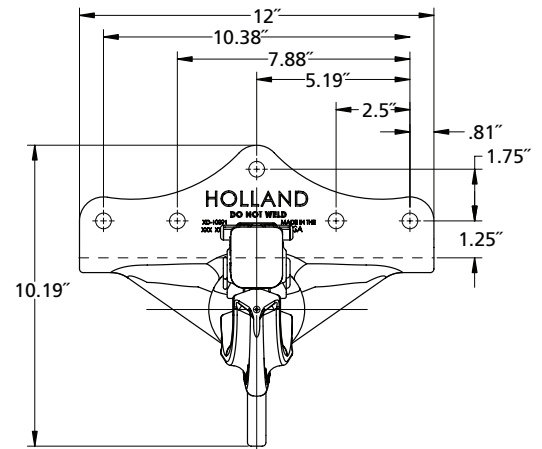
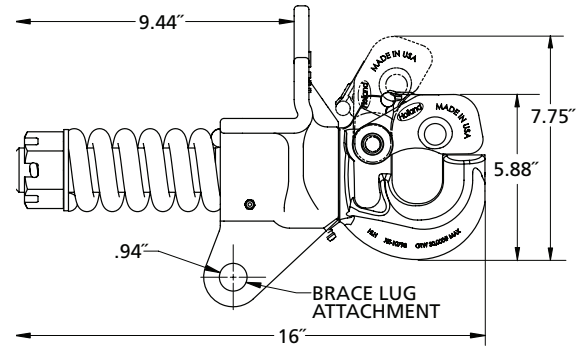
2.38" to 3" I.D. with 1.25" to 1.63" diameter section.

Additional Information

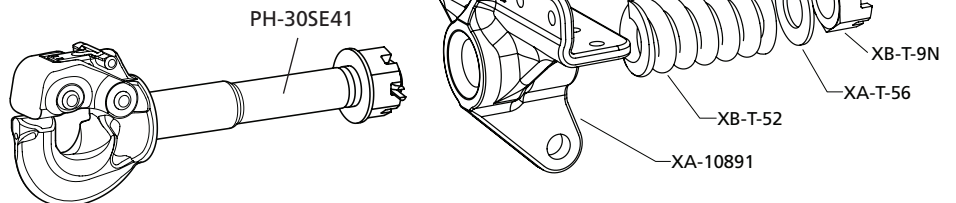
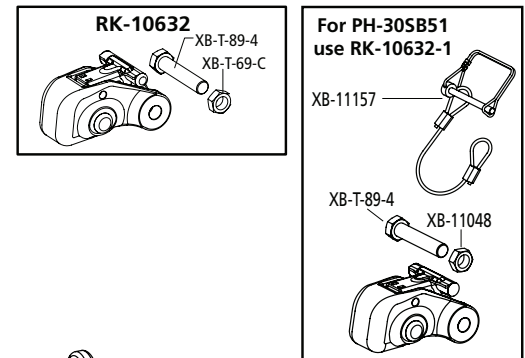
- For off-road* applications, reduce the above maximum capacities by 25%. Not for use with a swivel-mount drawbar.
- Tested in accordance with SAE J847.
- For additional specification detail, refer to document number XL-PH365. For PH-30SB51 refer to XL-PH371.

* See definition on page 71

Mounting Dimensions



Replacement Parts



Available with a tethered lock pin as PH-30SE51.

Pintle Hooks – Swivel Mount

PH-T-60-AOS-L-8

Application

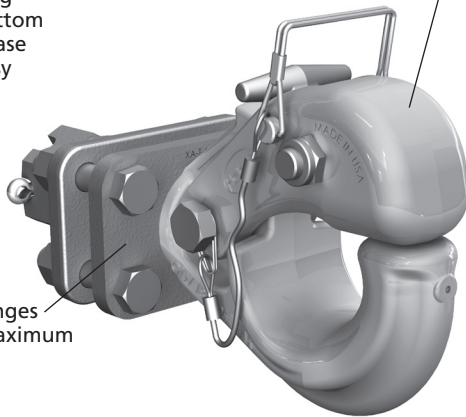
A split flange mounted, swivel style pintle hook designed for over-the-road and off-road applications.

The body is forged from special alloy steel that is heat treated for strength and durability. The special pintle shape is designed for maximum articulation and reduced wear.

Swivel housing includes a bottom mounted grease fitting for easy lubrication.

Latch is cast steel alloy and heat treated for strength and long life.

Mounting flanges allow for a maximum 11/16" plate.



Weight: 15 lbs. (6.8 kg)

Capacities

18,000 lbs. (8,160 kg) Maximum Gross Trailer Weight
3,600 lbs. (1,630 kg) Maximum Vertical Load

Drawbar Eye Dimensions

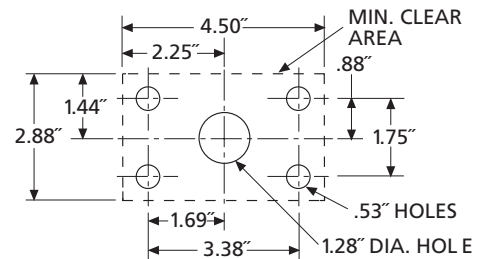
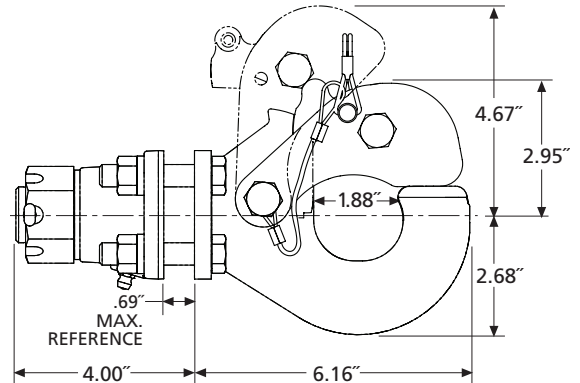
2" to 3" I.D. with 1.25" to 1.63" diameter section.

Additional Information

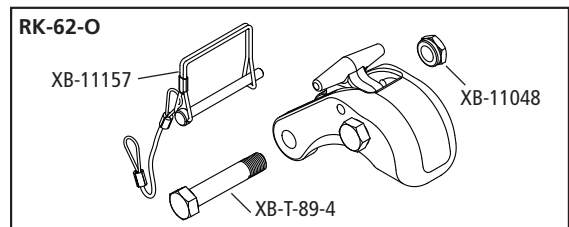
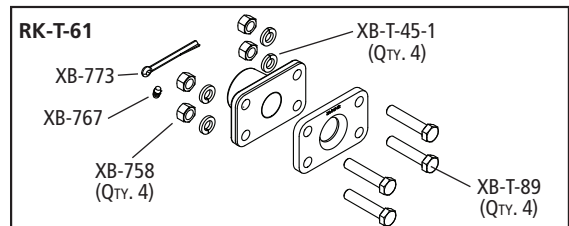
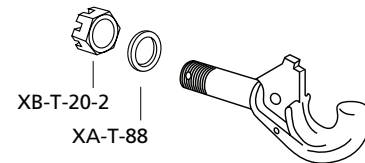
- For off-road* applications, reduce the above maximum capacities by 25%. Not for use with a swivel-mount drawbar.
- Tested in accordance with SAE J847.
- For additional specification detail, refer to document number XL-PH208.

* See definition on page 71

Mounting Dimensions



Replacement Parts



HOLLAND Swivel-Mount Pintle Hooks Featuring SAF-HOLLAND NoLube™ Technology

PH-775SL Heavy-Duty

100,000 lbs. (45,360 kg) Maximum Gross Trailer Weight
20,000 lbs. (9,070 kg) Maximum Vertical Load

Direct replacement for lubricated installations, including BUYERS
BP880 / HOLLAND PH-775-01522 / WALLACE B-30



FEATURES

NoLube™ Swivel Housing

- Self-lubricating, non-metallic bearings, located in the housing, never require lubrication.
- Shaft seals, located in the housing, protect the inside of the housing from water, dirt, and debris.

FastLatch™

- One-hand operation plus automatic primary and secondary lock eliminates need for separate cotter pin or lock pin.

Corrosion Resistance

- Our proprietary NoLube™ coating process provides superior corrosion and abrasion resistance.
- All primary components, housing, hook body/shaft, and latch are coated inside and out prior to final assembly.

Proven Reliability

- HOLLAND NoLube™ Pintle Hooks are in use by the U.S. Military



PH-775SL

Heavy Expanded Mobility Tactical Truck (HEMTT A4)



PH-760SL

M1070 A1 Tractor – Heavy Equipment Transporter (HET)

Pintle Hooks – Swivel Mount

PH-760 (Lubricated)

Application

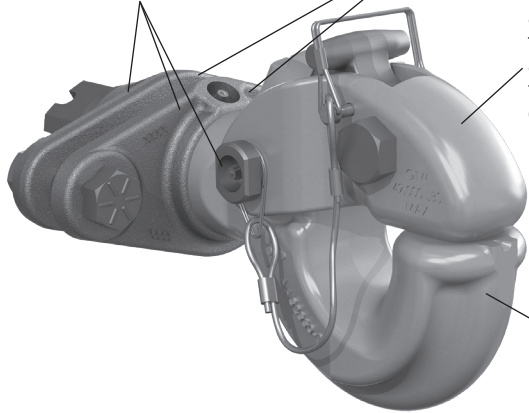
Heavy-duty construction for on- and off-road applications where a significant amount of articulation is required.

To ensure long life, the front and rear flanges and pivot bolt include zerk fittings for easy lubrication.

Mounting flanges allow for a maximum 3/4" plate.

The forged steel alloy body and the cast steel latch are heat treated for strength and durability.

The hook is designed for maximum articulation.



Weight: 36 lbs. (16.3 kg)

Capacities

49,000 lbs. (22,230 kg) Maximum Gross Trailer Weight
9,800 lbs. (4,440 kg) Maximum Vertical Load

Drawbar Eye Dimensions

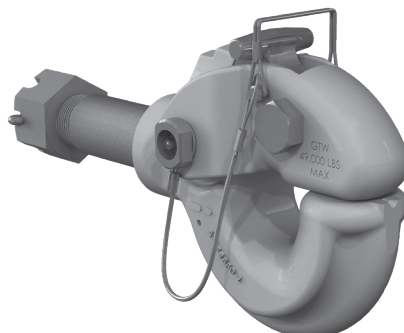
3" I.D. with 1.25" to 1.63" diameter section.

Additional Information

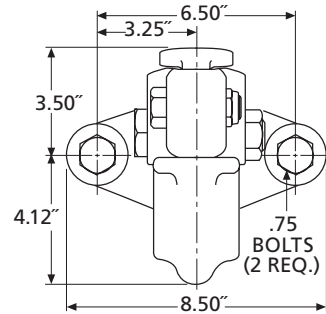
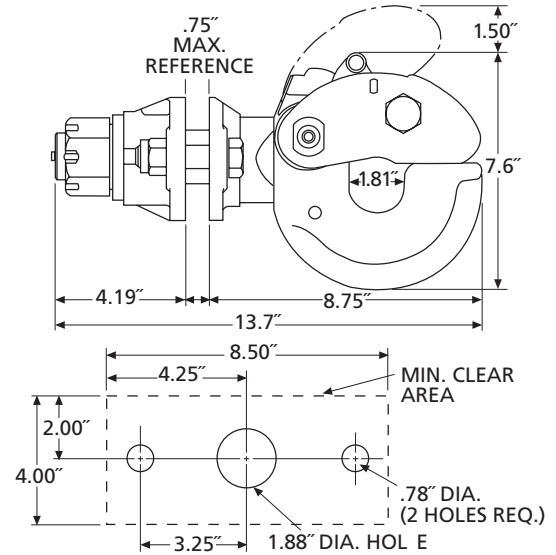
- For off-road* applications, reduce the above maximum capacities by 25%. Not for use with a swivel-mount drawbar.
- Tested in accordance with SAE J847.
- For additional specification detail, refer to document number XL-PH215.

* See definition on page 71

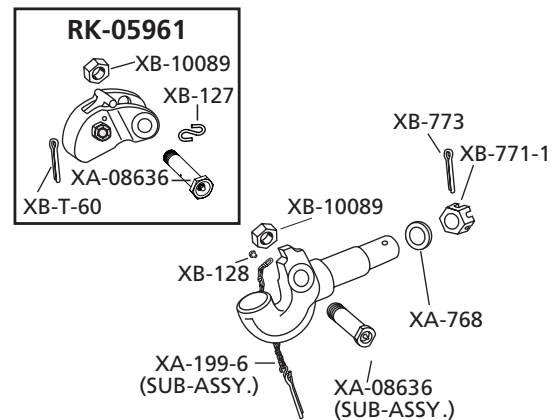
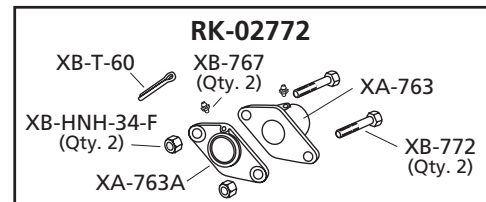
PH-760-1 (Lubricated)



Mounting Dimensions



Replacement Parts





SAF-HOLLAND Group

DISCONTINUED
Service parts only are available.
01/26/2022

Pintle Hooks – Swivel Mount

U.S. and other patents apply

PH-760SL11 (NoLube™)

Application

Heavy-duty construction for on- and off-road applications where a significant amount of articulation is required.

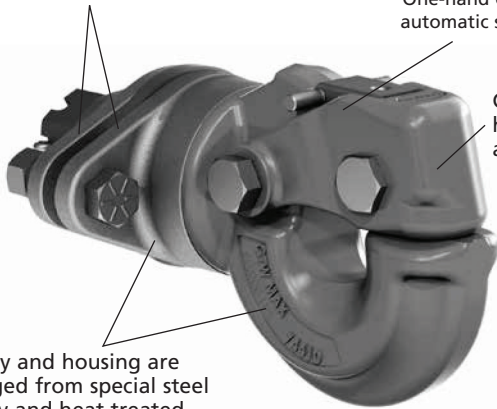
Mounting flanges allow for a maximum 3/4" plate.



One-hand operation and automatic secondary lock

Cast steel alloy latch is heat treated for strength and durability.

Body and housing are forged from special steel alloy and heat treated for high strength and wear resistance.



Available with a tethered lock pin as PH-760SL21.



No lubrication required.

Weight: 36 lbs. (16.3 kg)

Capacities

60,000 lbs. (27,216 kg) Maximum Gross Trailer Weight
12,000 lbs. (5,443 kg) Maximum Vertical Load

Drawbar Eye Dimensions

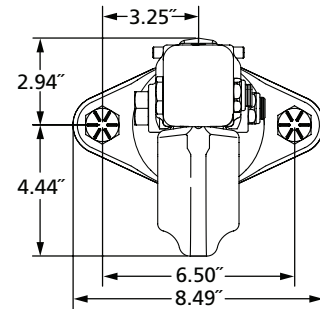
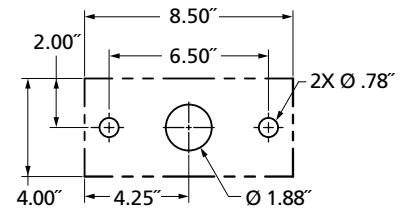
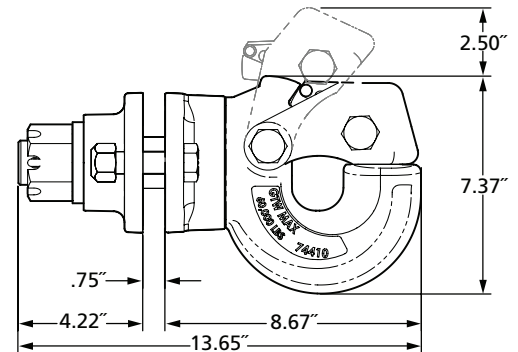
3" I.D. with 1.25" to 1.63" diameter section.

Additional Information

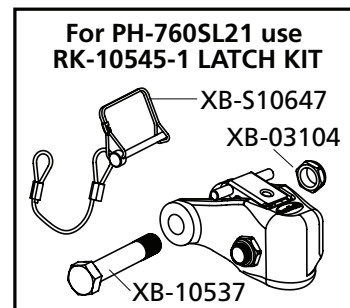
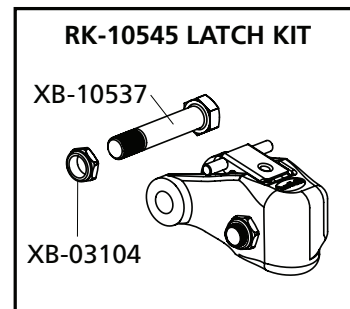
- For off-road* applications, reduce the above maximum capacities by 25%. Not for use with a swivel-mount drawbar.
- Tested in accordance with SAE J847.
- For additional specification detail, refer to document number XL-PH10405UM.

* See definition on page 71

Mounting Dimensions



Replacement Parts

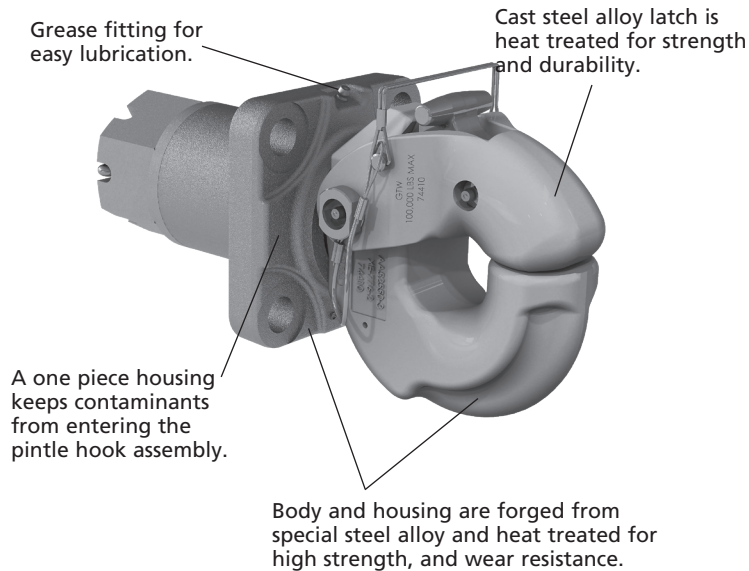


Pintle Hooks – Swivel Mount

PH-775E (Lubricated)

Application

Heavy-duty construction for on- and off-road applications where a significant amount of articulation is required.



Weight: 60 lbs. (27.2 kg)

Capacities

100,000 lbs. (45,360 kg) Maximum Gross Trailer Weight
 20,000 lbs. (9,070 kg) Maximum Vertical Load

Drawbar Eye Dimensions

3" I.D. with 1.63" diameter section.

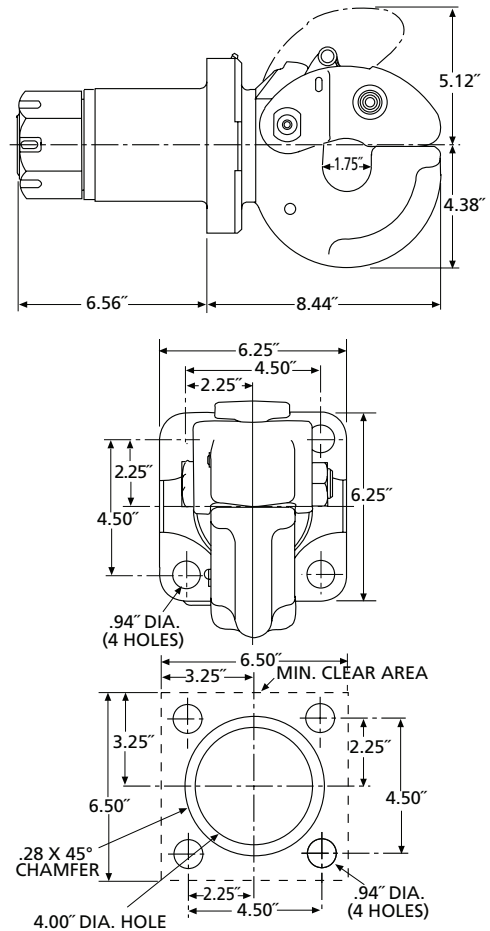
Additional Information

- For off-road* applications, reduce the above maximum capacities by 25%. Not for use with a swivel-mount drawbar.
- Tested in accordance with SAE J847.
- For additional specification detail, refer to document number XL-PH246.

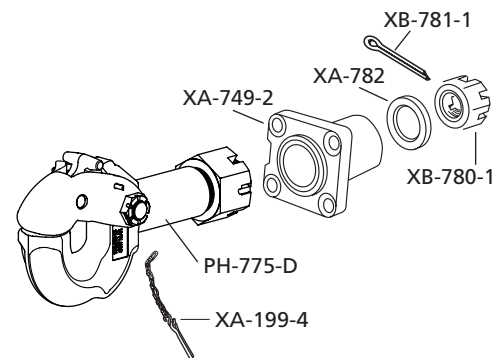
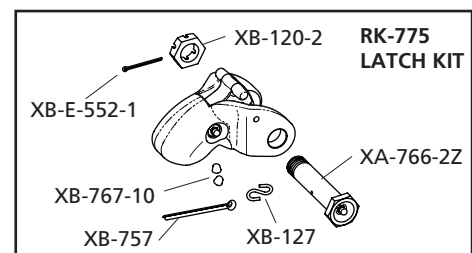
* See definition on page 71

The Holland PH-775-01552 complies with NOM-035-SCT-2-2010 Safety Specifications and Test Methods.

Mounting Dimensions



Replacement Parts





SAF-HOLLAND Group

Pintle Hooks – Swivel Mount

PH-775SL11 (NoLube™)

U.S. and other patents apply

Application

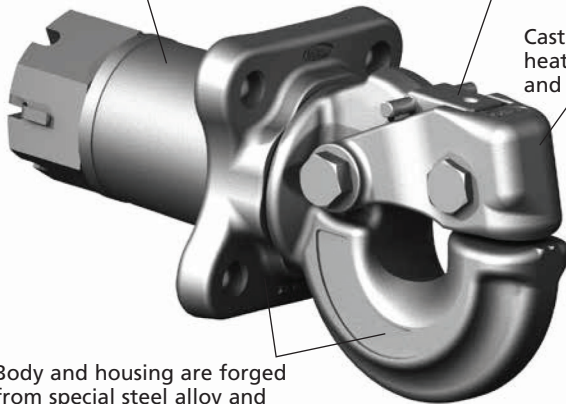
Heavy-duty construction for on- and off-road applications where a significant amount of articulation is required.

A one-piece sealed housing keeps contaminants from entering the pintle hook assembly.



One-hand operation and automatic secondary lock

Cast steel alloy latch is heat treated for strength and durability.



Available with a tethered lock pin as PH-775SL21.

Body and housing are forged from special steel alloy and heat treated for high strength and wear resistance.



No lubrication required.

Weight: 57 lbs. (25.8 kg)

Capacities

100,000 lbs. (45,360 kg) Maximum Gross Trailer Weight
20,000 lbs. (9,070 kg) Maximum Vertical Load

Drawbar Eye Dimensions

3" I.D. with a 1.63" diameter section.

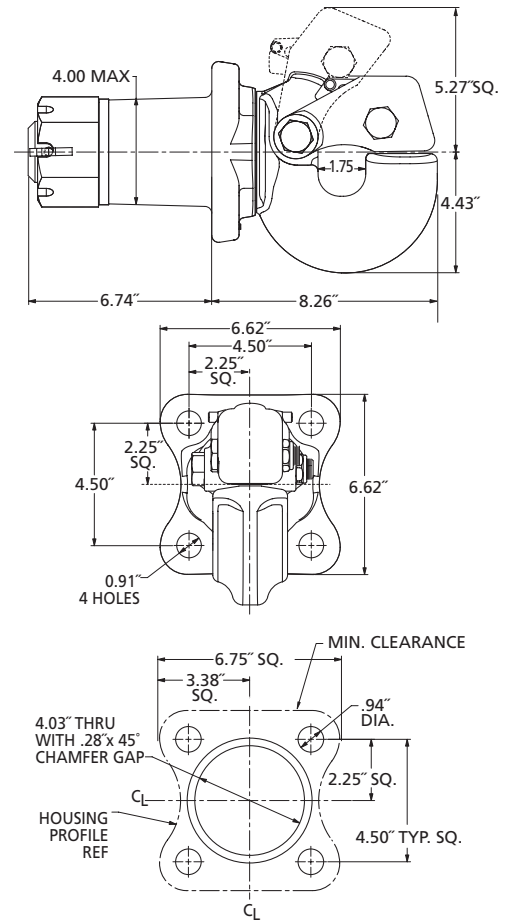
Additional Information

- For off-road* applications, reduce the above maximum capacities by 25%. Not for use with a swivel-mount drawbar.
- Tested in accordance with SAE J847.
- For additional specification detail, refer to document number XL-PH334. For PH-775SL21 refer to XL-PH339.

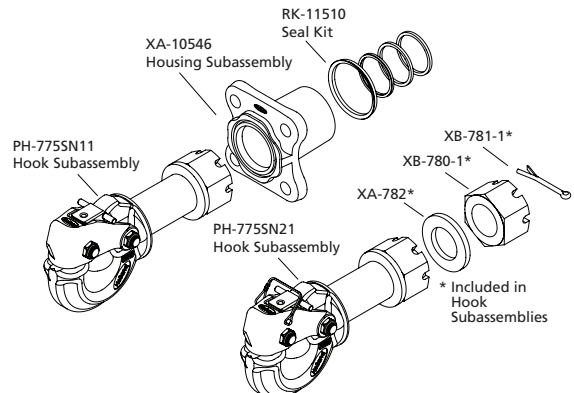
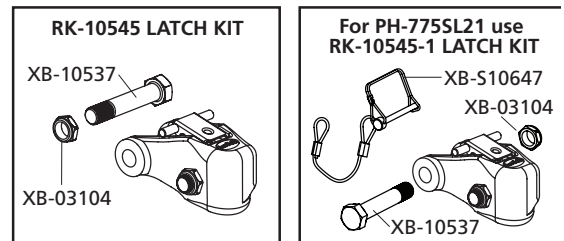
* See definition on page 71

The Holland PH-775SL21 NoLube™ complies with NOM-035-SCT-2-2010 Safety Specifications and Test Methods.

Mounting Dimensions



Replacement Parts



Pintle Hooks – Rigid Mount – Air Cushioned



SAF-HOLLAND Group

U.S. and other patents apply

PH-210

Application

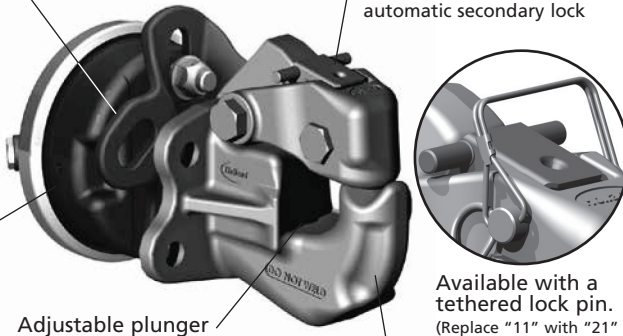
A rigid mount pintle hook designed for trailers and semitrailers in doubles and triples operations. Used for off- and over-the-road applications. Air cushioned snubber is designed to minimize the gap between the pintle hook and the drawbar eye on vehicles with air systems.

Plunger/snubber force is developed by the vehicle's air system to reduce wear and to provide shock absorption.



One-hand operation and automatic secondary lock

Air chambers are available for different mounting widths; see page 26.



Cast steel alloy body is heat treated for increased strength and durability.

Weight: 38 lbs. (17.2 kg)

PH-210RA11 – Complete assembly includes a pintle hook, plunger, air chamber, and mounting bracket.

PH-210RN11 – Pintle hook without an air chamber, bracket or plunger.

PH-210RM11 – Pintle hook with plunger only.

PH-210RF11 – Pintle hook with plunger and air chamber with 12" cut-to-length rod.

For additional model numbers, see page 30.

The PH-210 can be operated with or without the air chamber.

For easier coupling, drawbar guides are available, see page 62.

Capacities

90,000 lbs. (8,165 kg) Maximum Gross Trailer Weight

18,000 lbs. (40,824 kg) Maximum Vertical Load

Drawbar Eye Dimensions

2.38" to 3" I.D. with 1.25" to 1.63" diameter section.

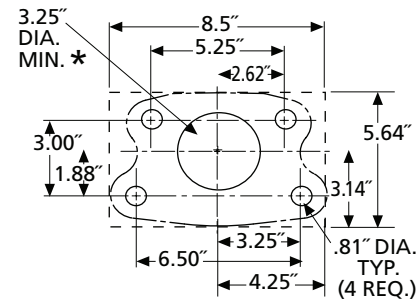
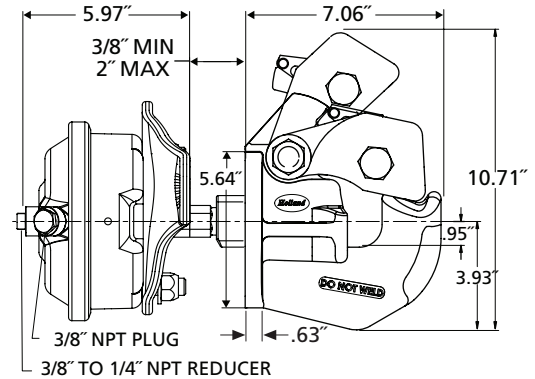
Additional Information

- For off-road* applications, reduce the above maximum capacities by 25% and use with a swivel-mount drawbar.
- Tested in accordance with SAE J847.
- For additional specification detail, refer to document number XL-PH340.
- Also available – PH210 Series with tethered lock pin. Replace "11" with "21" in model number.

* See definition on page 71

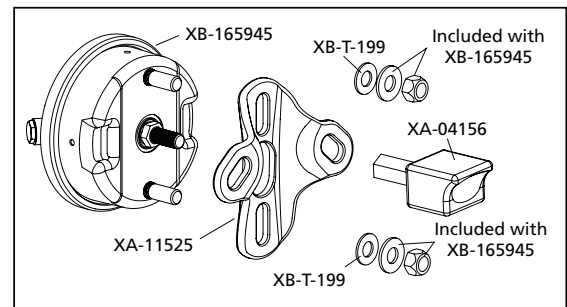
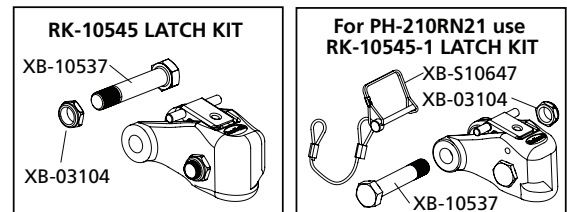
The Holland PH-210 complies with NOM-035-SCT-2-2010 Safety Specifications and Test Methods.

Mounting Dimensions



* Center hole not required if used without air chamber.

Replacement Parts



XA-02608 Cylinder and Bracket Sub-Assembly



SAF-HOLLAND Group

Pintle Hooks – Rigid Mount – Air Cushioned

PH-300 and PH-300-R

DISCONTINUED

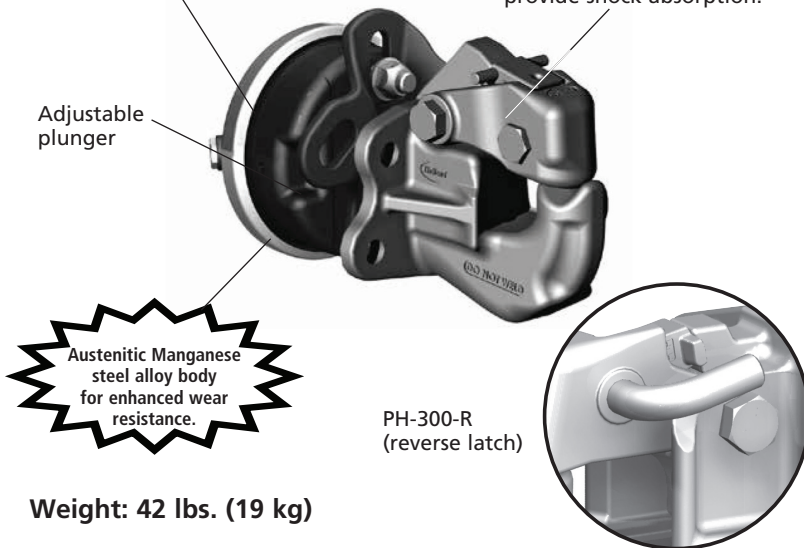
Service parts only are available.
05/25/2022 and 12/31/2023

Application

A rigid mount pintle hook designed for enhanced wear resistance. Used for on- and off-road applications.

Unique one-hand latch operation. Also available with reversed latch handle, PH-300-R (see inset).

Plunger/snubber force is developed by the vehicle's air system to reduce wear and to provide shock absorption.



Weight: 42 lbs. (19 kg)

The complete assembly includes a pintle hook, plunger, air chamber, and mounting bracket. For pintle hooks without an air chamber, bracket, or plunger, order PH-300-1 or PH-300-R-1.

The PH-300 can be operated with or without the air chamber. For easier coupling, drawbar guides are available, see page 62.

Capacities

72,000 lbs. (32,665 kg) Maximum Gross Trailer Weight
18,000 lbs. (8,165 kg) Maximum Vertical Load

Drawbar Eye Dimensions

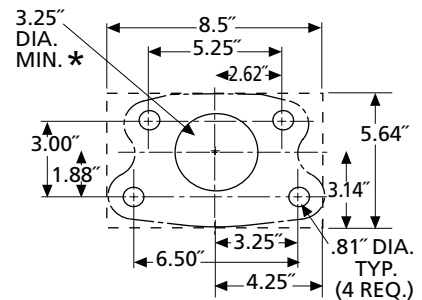
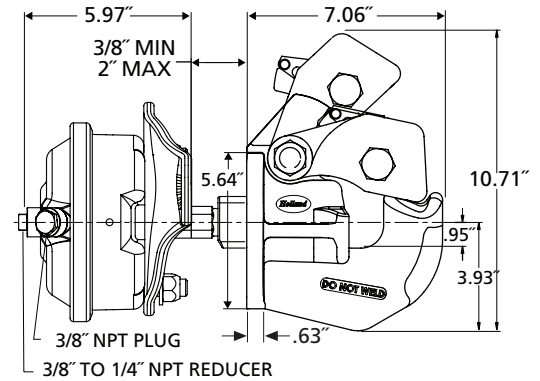
2.38" to 3" I.D. with 1.25" to 1.63" diameter section.

Additional Information

- For off-road* applications, reduce the above maximum capacities by 25% and use with a swivel-mount drawbar.
- Tested in accordance with SAE J847 (Type II).
- For additional specification detail, refer to document number XL-PH243. For PH-300-R, refer to XL-PH248.

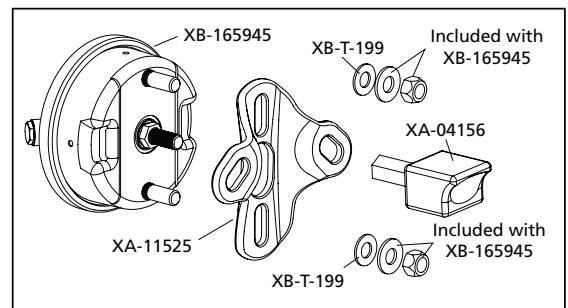
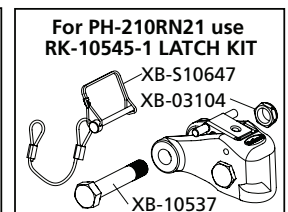
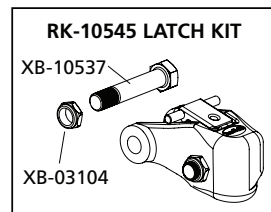
* See definition on page 71

Mounting Dimensions



* Center hole not required if used without air chamber.

Replacement Parts



XA-02608 Cylinder and Bracket Sub-Assembly

Pintle Hooks – Rigid Mount – Air Cushioned

U.S. and other patents apply

PH-310

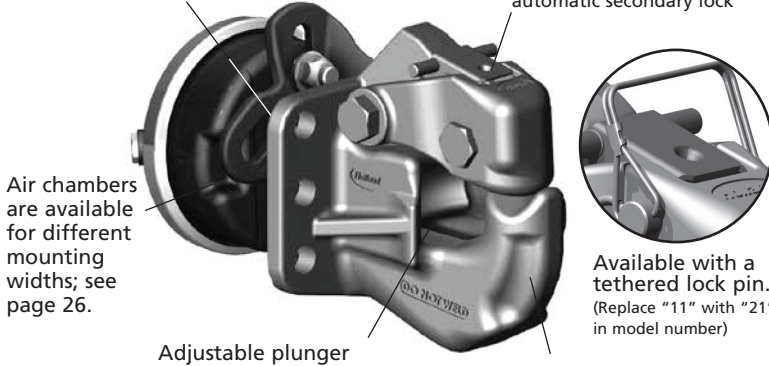
Application

A rigid mount pintle hook designed for trailers and semitrailers in doubles and triples operations. Used for off- and over-the-road applications. Air cushioned snubber is designed to minimize the space between the pintle hook and the drawbar eye on vehicles with air systems.

Plunger/snubber force is developed by the vehicle's air system to reduce wear and to provide shock absorption.



One-hand operation and automatic secondary lock



Available with a tethered lock pin. (Replace "11" with "21" in model number)

Cast steel alloy body is heat treated for increased strength, durability, and wear resistance.

Weight: 38 lbs. (17.7 kg)

PH-310RA11 – Complete assembly includes a pintle hook, plunger, air chamber, and mounting bracket.

PH-310RN11 – Pintle hook without an air chamber, bracket or plunger.

PH-310RM11 – Pintle hook with plunger only.

PH-310RF11 – Pintle hook with plunger and air chamber with 12" cut-to-length rod.

For additional model numbers, see page 30.

The PH-310 can be operated with or without the air chamber.

For easier coupling, drawbar guides are available, see page 62.

Capacities

100,000 lbs. (9,070 kg) Maximum Gross Trailer Weight
20,000 lbs. (45,360 kg) Maximum Vertical Load

Drawbar Eye Dimensions

2.38" to 3" I.D. with 1.25" to 1.63" diameter section.

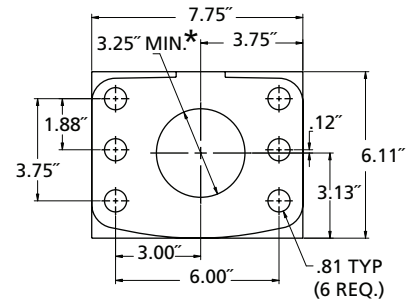
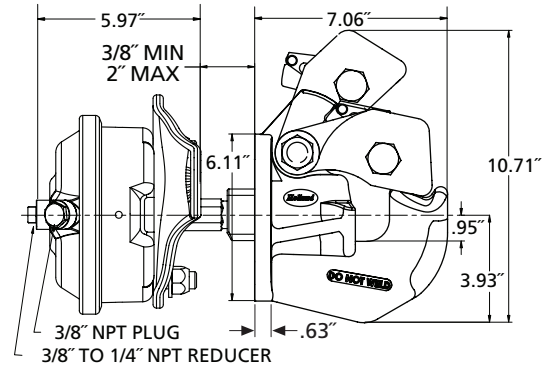
Additional Information

- For off-road* applications, reduce the above maximum capacities by 25% and use with a swivel-mount drawbar.
- Tested in accordance with SAE J847.
- For additional specification detail, refer to document number XL-PH341.
- Also available – PH310 Series with tethered lock pin. Replace "11" with "21" in model number.

* See definition on page 71

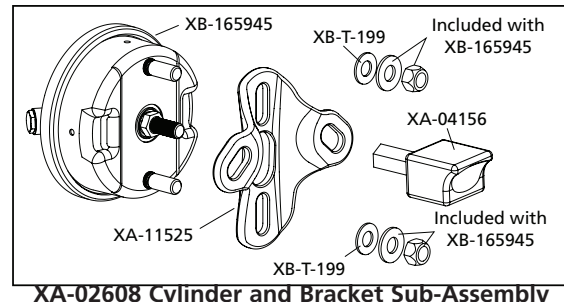
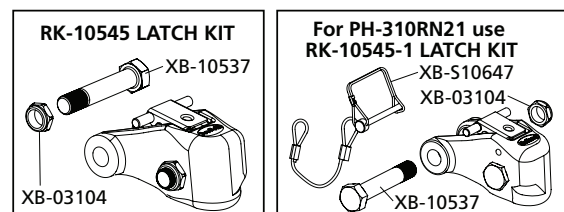
The Holland PH-310 complies with NOM-035-SCT-2-2010 Safety Specifications and Test Methods.

Mounting Dimensions



* Center hole not required if used without air chamber.

Replacement Parts



XA-02608 Cylinder and Bracket Sub-Assembly

PH-400 and PH-400-H

Application

A rigid mount pintle hook designed for trailers and semitrailers in doubles and triples operations. Used for off- and over-the-road applications. Air cushioned snubber is designed to minimize the gap between the pintle hook and the drawbar eye on vehicles with air systems.

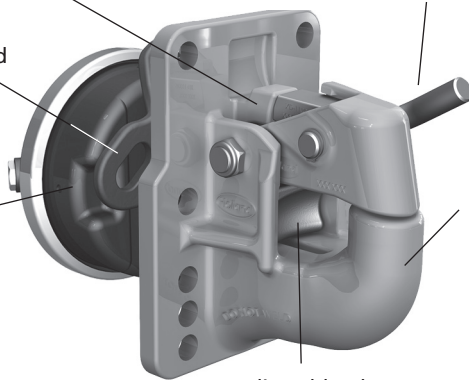
Automatic secondary lock for improved safety.

Plunger/snubber force is developed by the vehicle's air system to reduce wear and to provide shock absorption.

Air chambers are available for different mounting widths; see page 26.

Unique one-hand latch operation.

Cast alloy steel body is heat treated for increased strength, durability, and wear resistance.



Adjustable plunger

Weight: 48 lbs. (21.8 kg)

The complete assembly includes a pintle hook, plunger, air chamber, and mounting bracket. For pintle hooks without an air chamber, bracket, or plunger, order PH-400-1 or PH-400-1-H.

The PH-400 and PH-400-H can be operated with or without the air chamber. For easier coupling, drawbar guides are available, see page 62.

Capacities

100,000 lbs. (45,360 kg) Maximum Gross Trailer Weight
20,000 lbs. (9,070 kg) Maximum Vertical Load

Drawbar Eye Dimensions

2.38" to 3" I.D. with 1.25" to 1.63" diameter section.

Additional Information

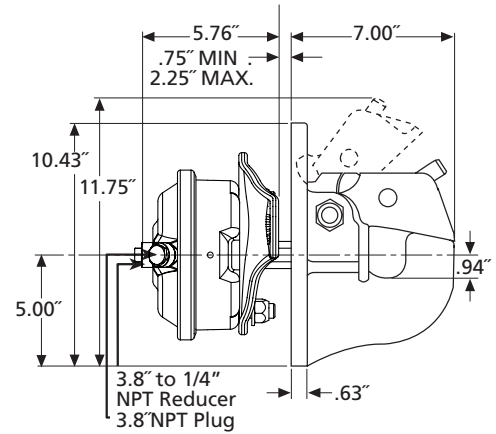
- For off-road* applications, reduce the above maximum capacities by 25% and use with a swivel-mount drawbar.
- Tested in accordance with SAE J847.
- For additional specification detail, refer to document number XL-PH244 or PH-247.

* See definition on page 71

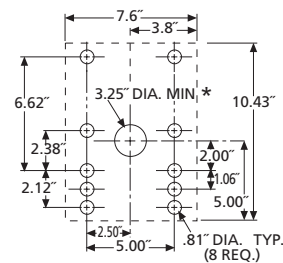
The Holland PH-400 and PH-400-H complies with NOM-035-SCT-2-2010 Safety Specifications and Test Methods.

Mounting Dimensions

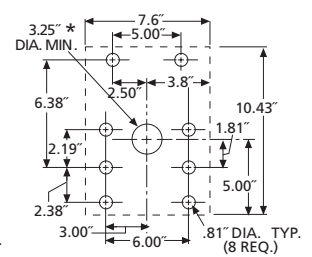
PH-400 and PH-400-H



PH-400

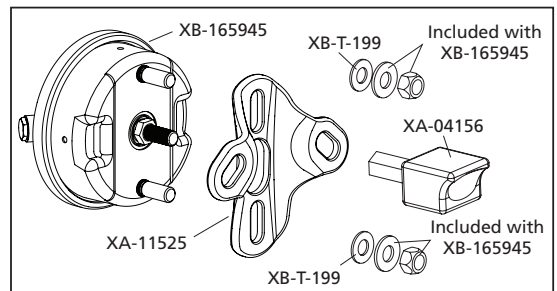
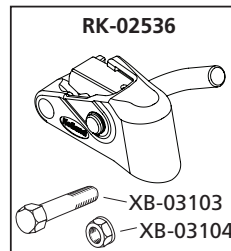


PH-400-H



* Center hole not required if used without air chamber.

Replacement Parts



XA-02608 Cylinder and Bracket Sub-Assembly

PH-405

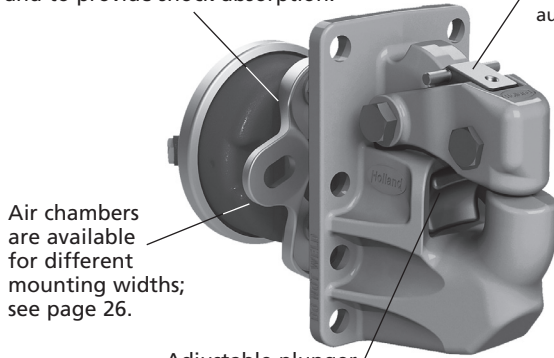
Application

An austenitic manganese steel rigid mount pintle hook designed for trailers and semitrailers used in doubles and triples operations. Used for off- and over-the-road applications. Air cushioned snubber is designed to minimize the gap between the pintle hook and the drawbar eye on vehicles with air systems.

Plunger/snubber force is developed by the vehicle's air system to reduce wear and to provide shock absorption.



One-hand operation and automatic secondary lock



Available with a tethered lock pin. (Replace "11" with "21" in model number)

Weight: 34 lbs. (15 kg)

PH-405RA11 – Complete assembly includes a pintle hook, plunger, air chamber, and mounting bracket.

PH-405RN11 – Pintle hook without an air chamber, bracket or plunger.

PH-405RM11 – Pintle hook with plunger only.

PH-405RF11 – Pintle hook with plunger and air chamber with 12" cut-to-length rod. For additional model numbers, see page 27.

The PH-410 can be operated with or without the air chamber.

For easier coupling, drawbar guides are available, see page 62

Capacities

100,000 lbs. (45,360 kg) Maximum Gross Trailer Weight
20,000 lbs. (9,070 kg) Maximum Vertical Load

Drawbar Eye Dimensions

3" I.D. with 1.625" to 2.375" diameter section.

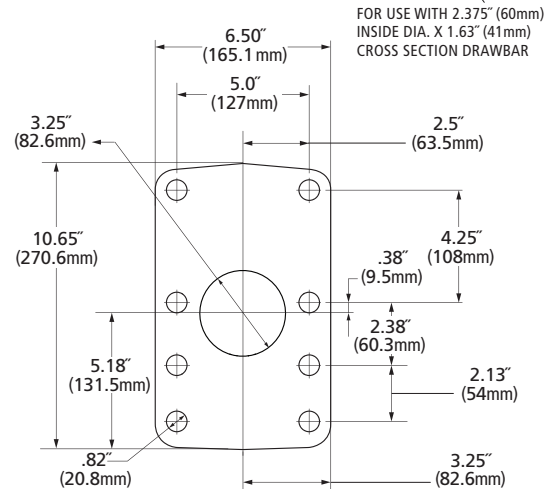
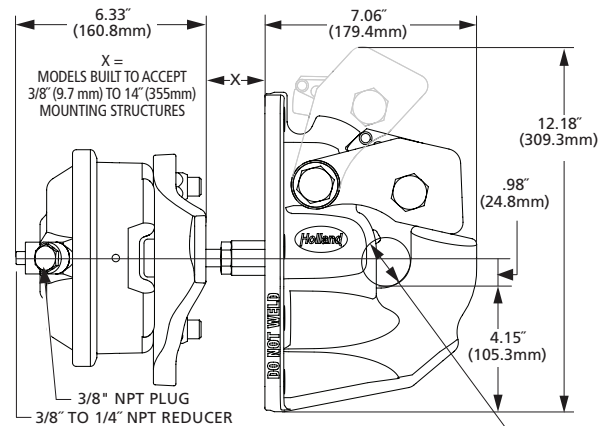
Additional Information

- For off-road* applications, reduce the above maximum capacities by 25% and use with a swivel-mount drawbar.
- Tested in accordance with SAE J847.
- For additional specification detail, refer to document number XL-PH20077SL.
- Also available – PH405 Series with tethered lock pin. Replace "11" with "21" in model number.

* See definition on page 71

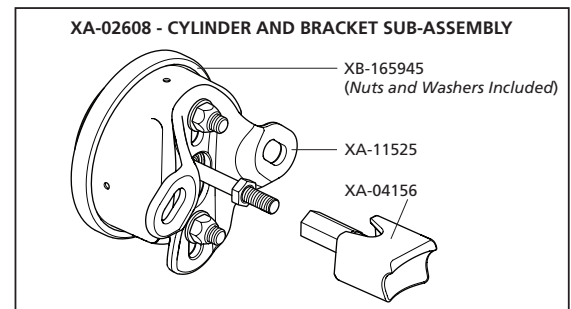
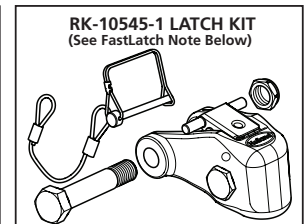
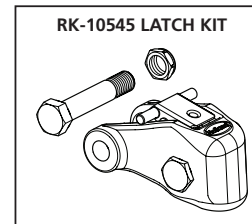
The Holland PH-405 complies with NOM-035-SCT-2-2010 Safety Specifications and Test Methods.

Mounting Dimensions



NOTE: Rigid mount design with 8-bolt mounting pattern compatible with our popular PH-400 model, Premier 2400, 100-4 and 470 models.

Replacement Parts



PH-410

U.S. and other patents apply

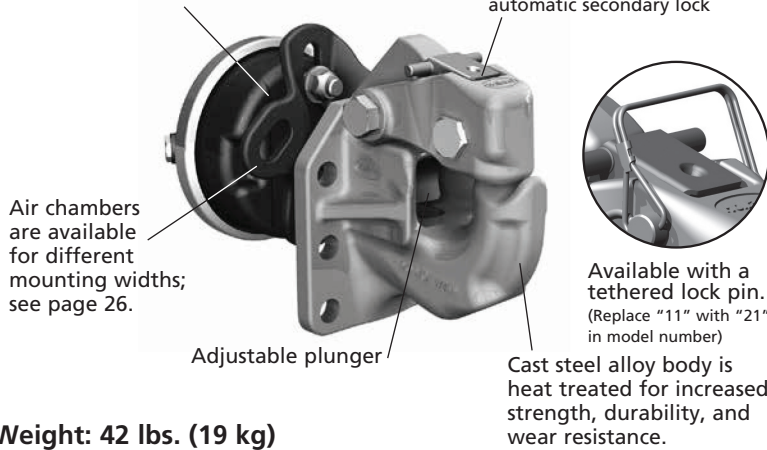
Application

A rigid mount pintle hook designed for trailers and semitrailers in doubles and triples operations. Used for off- and over-the-road applications. Air cushioned snubber is designed to minimize the gap between the pintle hook and the drawbar eye on vehicles with air systems.

Plunger/snubber force is developed by the vehicle's air system to reduce wear and to provide shock absorption.



One-hand operation and automatic secondary lock



Available with a tethered lock pin. (Replace "11" with "21" in model number)

Weight: 42 lbs. (19 kg)

PH-410RA11 – Complete assembly includes a pintle hook, plunger, air chamber, and mounting bracket.

PH-410RN11 – Pintle hook without an air chamber, bracket or plunger.

PH-410RM11 – Pintle hook with plunger only.

PH-410RF11 – Pintle hook with plunger and air chamber with 12" cut-to-length rod.

For additional model numbers, see page 30.

The PH-410 can be operated with or without the air chamber.

For easier coupling, drawbar guides are available, see page 62

Capacities

100,000 lbs. (45,360 kg) Maximum Gross Trailer Weight
20,000 lbs. (9,070kg) Maximum Vertical Load

Drawbar Eye Dimensions

2.38" to 3" I.D. with 1.25" to 1.63" diameter section.

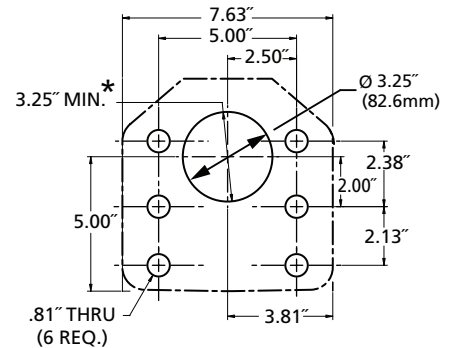
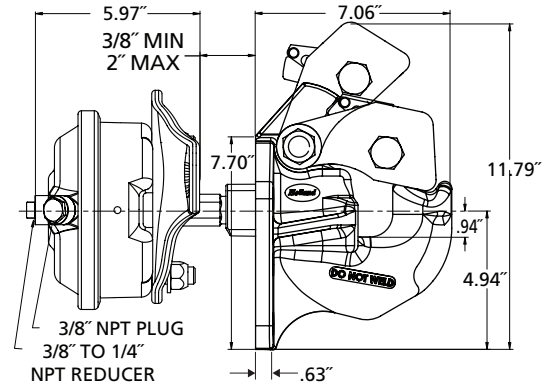
Additional Information

- For off-road* applications, reduce the above maximum capacities by 25% and use with a swivel-mount drawbar.
- Tested in accordance with SAE J847.
- For additional specification detail, refer to document number XL-PH342.
- Also available – PH410 Series with tethered lock pin. Replace "11" with "21" in model number.

* See definition on page 71

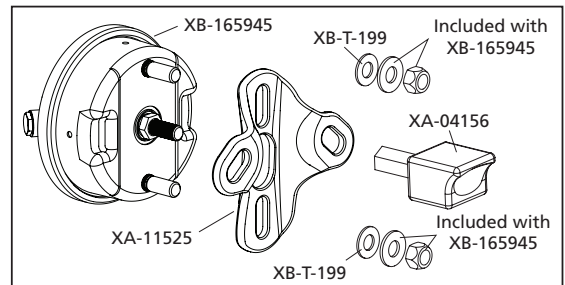
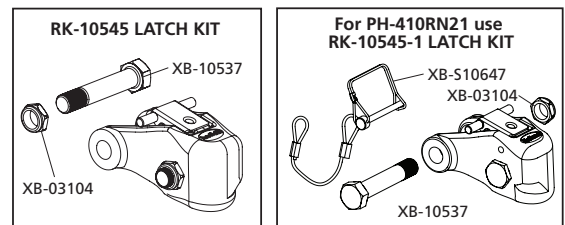
The Holland PH-410 complies with NOM-035-SCT-2-2010 Safety Specifications and Test Methods.

Mounting Dimensions



* Center hole not required if used without air chamber.

Replacement Parts



XA-02608 Cylinder and Bracket Sub-Assembly

Pintle Hooks – Rigid Mount – Air Cushioned

U.S. and other patents apply

PH-419

DISCONTINUED
Service parts only are available.
12/31/2021

Application

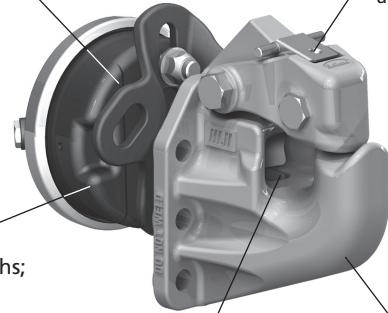
A rigid mount pintle hook designed for trailers and semitrailers used in doubles and triples operations. Used for off- and over-the-road applications. Air cushioned snubber is designed to minimize the gap between the pintle hook and the drawbar eye on vehicles with air systems.

Plunger/snubber force is developed by the vehicle's air system to reduce wear and to provide shock absorption.



One-hand operation and automatic secondary lock

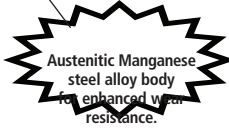
Air chambers are available for different mounting widths; see page 26.



Adjustable plunger



Available with a tethered lock pin. (Replace "11" with "21" in model number)



Weight: 42 lbs. (19 kg)

- PH-419RA11** – Complete assembly includes a pintle hook, plunger, air chamber, and mounting bracket.
 - PH-419RN11** – Pintle hook without an air chamber, bracket or plunger.
 - PH-419RM11** – Pintle hook with plunger only.
 - PH-419RF11** – Pintle hook with plunger and air chamber with 12" cut-to-length rod.
- For additional model numbers, see page 30.
The PH-419 can be operated with or without the air chamber.
For easier coupling, drawbar guides are available, see page 62.

Capacities

100,000 lbs. (45,360 kg) Maximum Gross Trailer Weight
20,000 lbs. (9,070 kg) Maximum Vertical Load

Drawbar Eye Dimensions

3" I.D. with 1.25" to 1.63" diameter section.

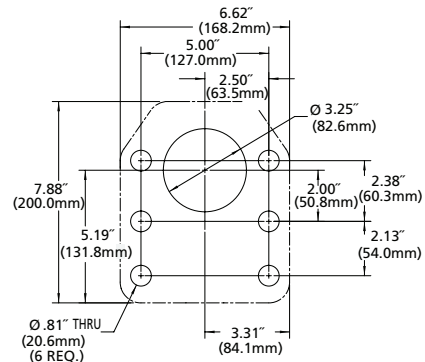
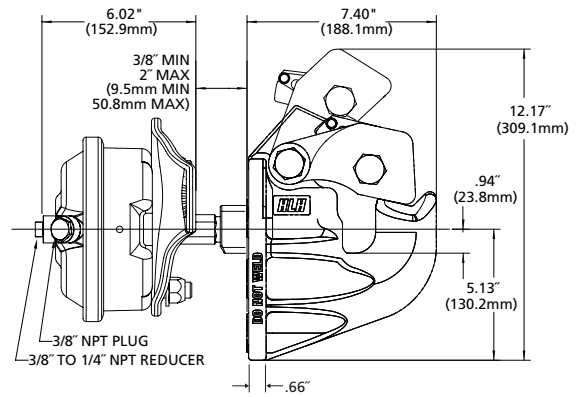
Additional Information

- For off-road* applications, reduce the above maximum capacities by 25% and use with a swivel-mount drawbar.
- Tested in accordance with SAE J847.
- For additional specification detail, refer to document number XL-PH10409.
- Also available – PH419 Series with tethered lock pin. Replace "11" with "21" in model number.

* See definition on page 71

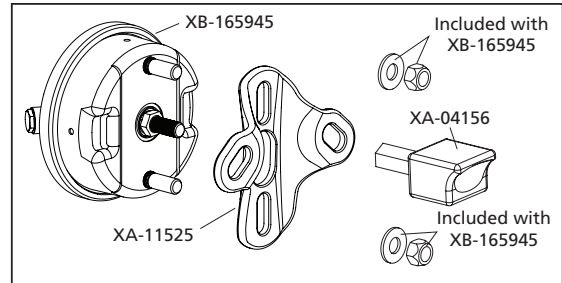
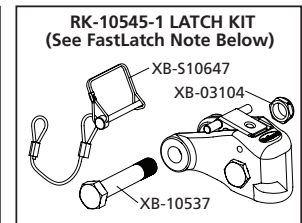
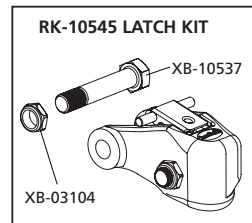
The Holland PH-419 complies with NOM-035-SCT-2-2010 Safety Specifications and Test Methods.

Mounting Dimensions



* Center hole not required if used without air chamber.

Replacement Parts



XA-02608 Cylinder and Bracket Sub-Assembly

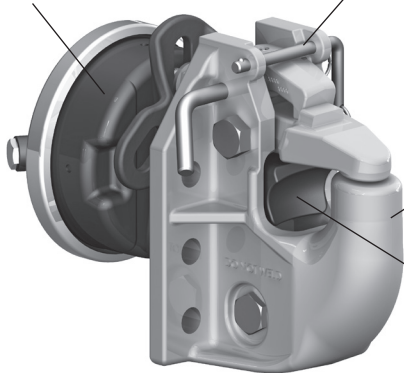
PH-550

Application

A rigid mount pintle hook designed for trailers and semitrailers in doubles and triples operations. Used for off- and over-the-road applications. Air cushioned snubber is designed to minimize the gap between the pintle hook and the drawbar eye on vehicles with air systems.

Plunger/snubber force is developed by the vehicle's air system to reduce wear and to provide shock absorption.

Secondary lock pin.



Cast steel alloy body is heat treated for increased strength, durability, and wear resistance.

Adjustable plunger.

Weight: 47 lbs. (21.3 kg)

The complete assembly includes a pintle hook, bullet, mounting bracket, and air chamber. For pintle hook and plunger only, order PH-550-1.

The PH-550 must be operated with an air chamber. For easier coupling, drawbar guides are available; see page 62.

Capacities

100,000 lbs. (45,360 kg) Maximum Gross Trailer Weight
25,000 lbs. (11,340 kg) Maximum Vertical Load

Drawbar Eye Dimensions

2.38" to 3" I.D. with 1.63" to 1.75" diameter section.

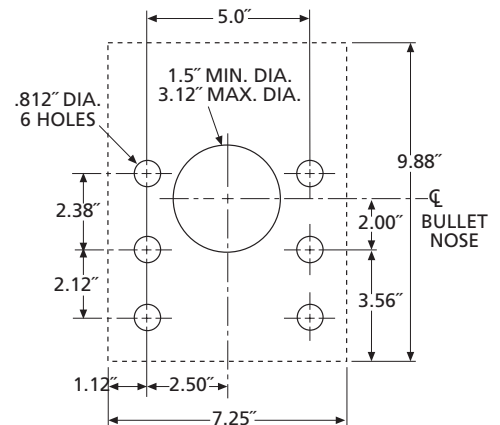
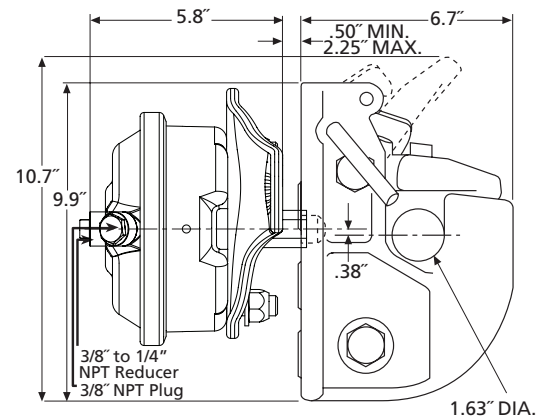
Additional Information

- For off-road* applications, reduce the above maximum capacities by 25% and use with a swivel-mount drawbar.
- Tested in accordance with SAE J847.
- For additional specification detail, refer to document number XL-PH261.

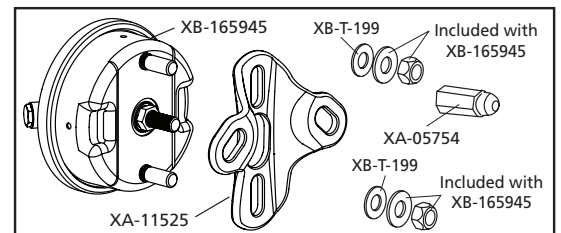
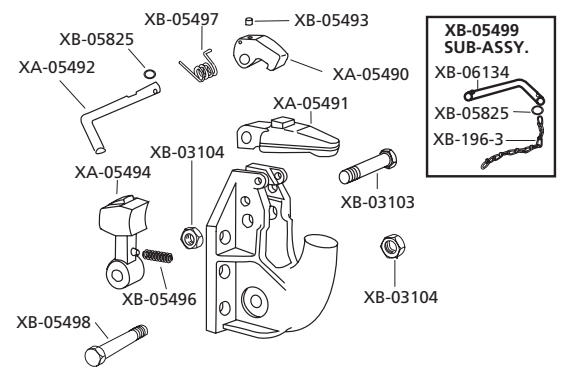
* See definition on page 71

The Holland PH-550 complies with NOM-035-SCT-2-2010 Safety Specifications and Test Methods.

Mounting Dimensions



Replacement Parts



XA-09862 Cylinder and Bracket Sub-Assembly

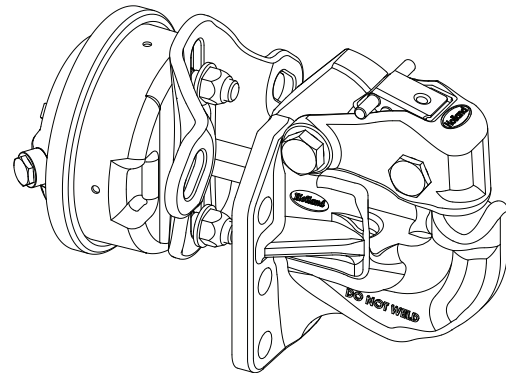
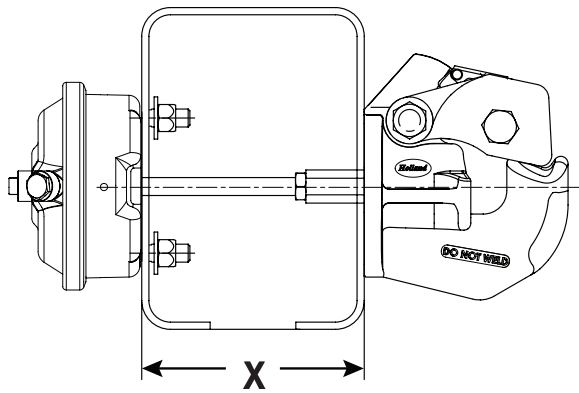
Pintle Hooks – Rigid Mount – Air Cushioned



SAF-HOLLAND Group

Air Chamber Assemblies and Mounting Kits

U.S. and other patents apply

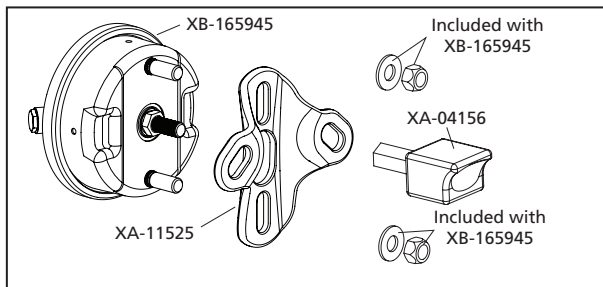


	SELECT "X" DIMENSION FOR MOUNTING	AIR CHAMBER ROD LENGTH	AIR CHAMBER/PLUNGER ASSEMBLY P/N WHEN ORDERED SEPARATELY	PINTLE HOOK PART NUMBERS *****								
				PH-210RN	PH-300-1	PH-300-R-1	PH-310RN	PH-400-1	PH-400-1-H	PH-410RN	PH-419RN	
PINTLE HOOK ONLY				PH-210RN	PH-300-1	PH-300-R-1	PH-310RN	PH-400-1	PH-400-1-H	PH-410RN	PH-419RN	
PINTLE HOOK WITH PLUNGER ONLY				PH-210RM			PH-310RM			PH-410RM	PH-419RM	PH-550-1
PINTLE HOOK WITH COMPLETE AIR CHAMBER ASSEMBLY	.63" - 2.50"	1.8"	XA-02608*	PH-210RA			PH-310RA	PH-400	PH-400-H	PH-410RA	PH-419RA	
	2.0" - 12.0"	12.0"	XA-10198***	PH-210RF			PH-310RF			PH-410RF	PH-419RF	
	.38" - 2.25"	1.8"	XA-02608*		PH-300	PH-300-R						
	.50" - 2.25"		XA-09862**									PH-550**

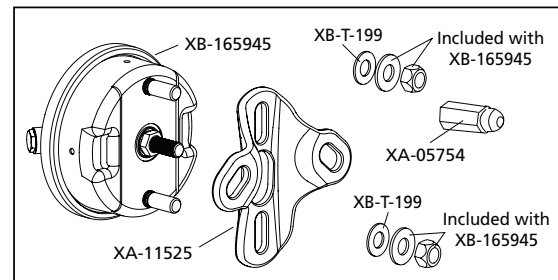
WHAT'S INCLUDED:

- * Includes plunger, mounting bracket, and air chamber.
- ** For PH-550, includes bullet, mounting bracket, and air chamber (plunger is factory installed to the pintle hook).
- *** Includes plunger and air chamber with cut-to-length rod.

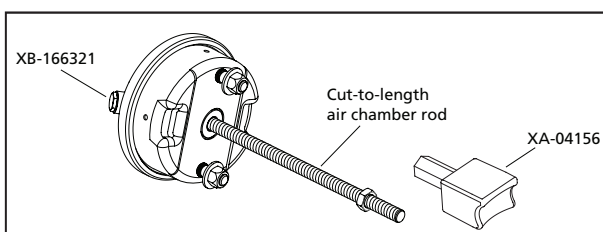
XA-02608



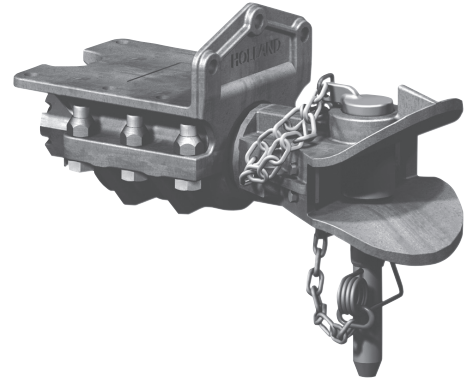
XA-09862



XA-10198



COUPLERS



- Rigid Mount
- Swivel Mount
- Pin & Clevis
- Ball & Receiver Hitch



Coupler – Rigid Mount (Over-the-Road)

CP-400-H

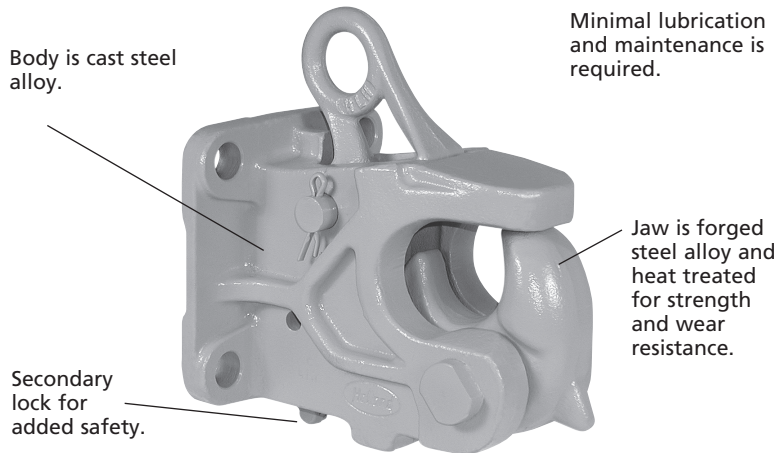
Application

A versatile rigid mount coupler used for trailers and equipment in over-the-road and off-road applications. Especially useful when frequent and automatic coupling is desired, and when the weight of the drawbar makes it impractical to lift. The latch automatically closes and locks upon coupling.

DISCONTINUED
Service parts only are available.
12/31/2021

Body is cast steel alloy.

Minimal lubrication and maintenance is required.



Weight: 26 lbs. (11.8 kg)

Capacities

30,000 lbs. (13,610 kg) Maximum Gross Trailer Weight
7,500 lbs. (3,400 kg) Maximum Vertical Load

Drawbar Eye Dimensions

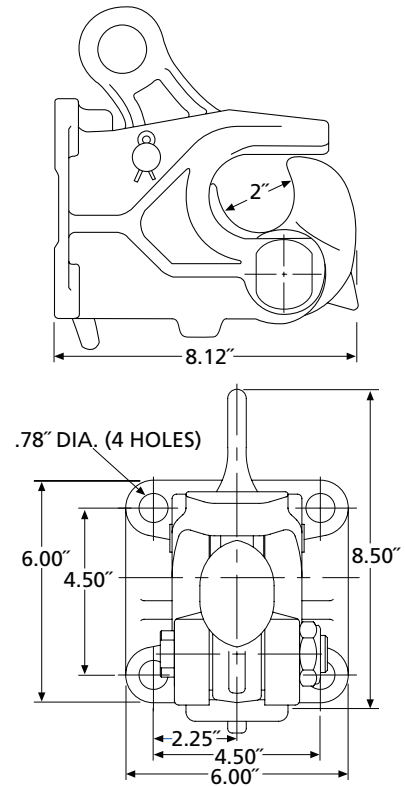
2.50" to 3" I.D. with 1.25" to 1.63" diameter section.

Additional Information

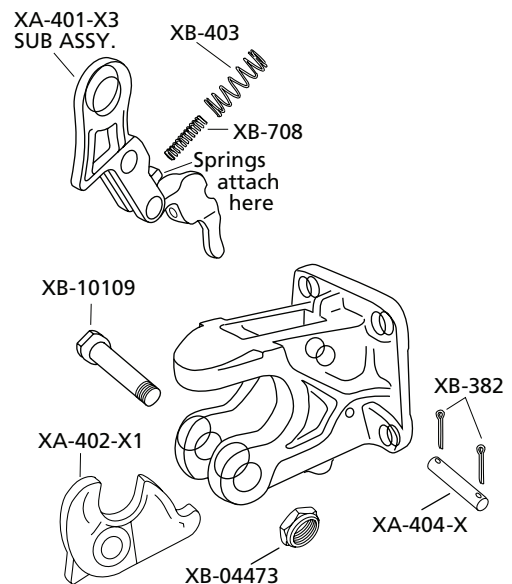
- For off-road* applications, reduce the above maximum capacities by 25% and use with a swivel-mount drawbar.
- For additional specification detail, refer to document number XL-PH233.

* See definition on page 71

Mounting Dimensions



Replacement Parts



CP-360

Application

A rigid mount coupler used for trailers and equipment in over-the-road and off-road applications. Especially useful when frequent and automatic coupling is desired, and when the weight of the drawbar makes it impractical to lift. The latch automatically closes and locks upon coupling.

DISCONTINUED
Service parts only are available.
12/31/2021

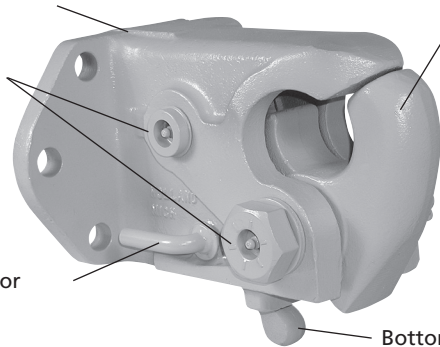
Body is cast steel alloy and heat treated for strength.

Jaw is cast steel alloy and heat treated for strength and wear resistance.

To ensure long life, grease fittings are provided for easy lubrication.

Secondary lock for added safety.

Bottom handle pull is primary lock release.



Weight: 44 lbs. (20 kg)

Capacities

52,000 lbs. (23,590 kg) Maximum Gross Trailer Weight
3,000 lbs. (1,360 kg) Maximum Vertical Load

Drawbar Eye Dimensions

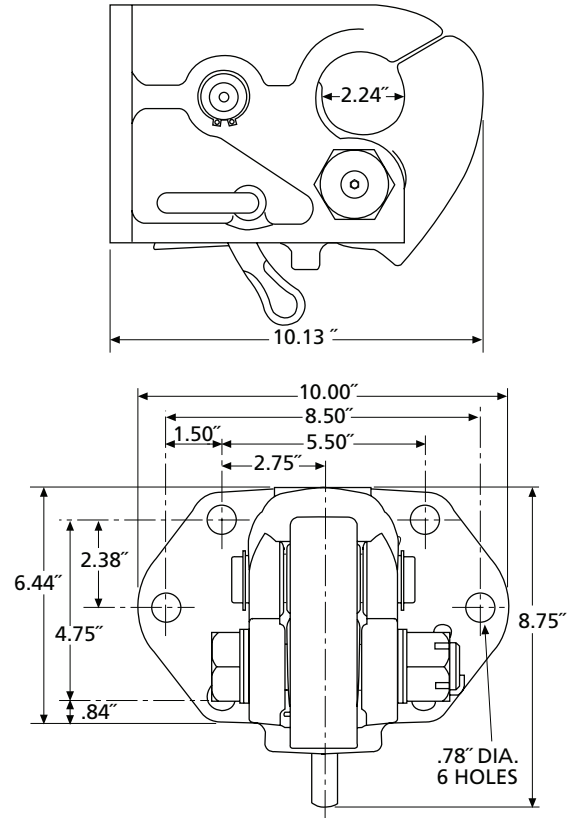
2.50" to 3" I.D. with 1.25" to 1.63" diameter section.

Additional Information

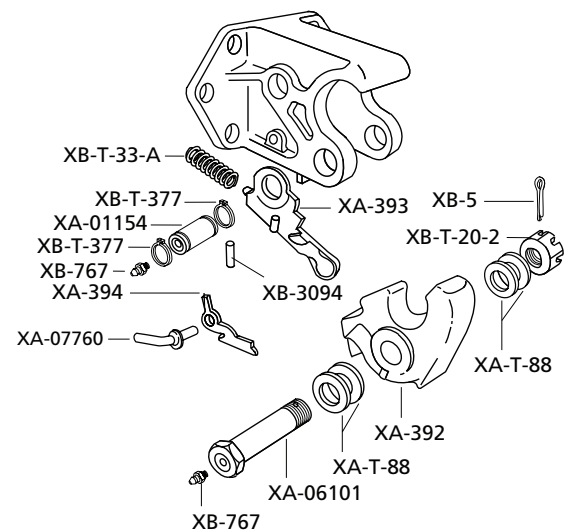
- For off-road* applications, reduce the above maximum capacities by 25% and use with a swivel-mount drawbar.
- For additional specification detail, refer to document number XL-PH231.

* See definition on page 71

Mounting Dimensions



Replacement Parts



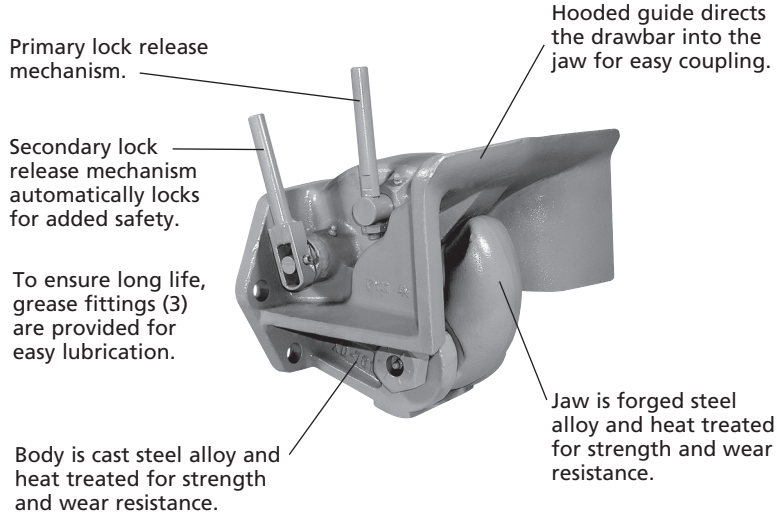
Coupler –Rigid and Swivel Mount (Over-the-Road)

CP-740

DISCONTINUED
 Service parts only are available.
 11/01/2023

Application

A very strong, specialized coupler used for trailers and equipment in over-the-road and off-road applications. Especially useful when frequent and automatic coupling is desired. The jaw automatically closes and locks when the drawbar eye is inserted.



Weight: 70 lbs. (32.7 kg)

Capacities

100,000 lbs. (45,360 kg) Maximum Gross Trailer Weight
 20,000 lbs. (9,070 kg) Maximum Vertical Load

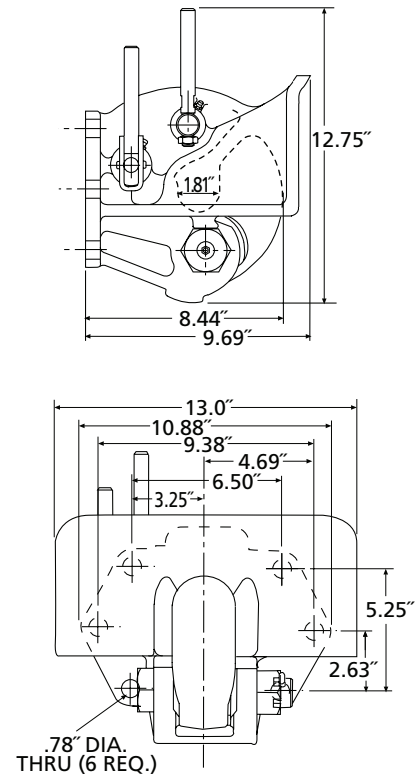
Drawbar Eye Dimensions

3" I.D. with a 1.63" diameter section.

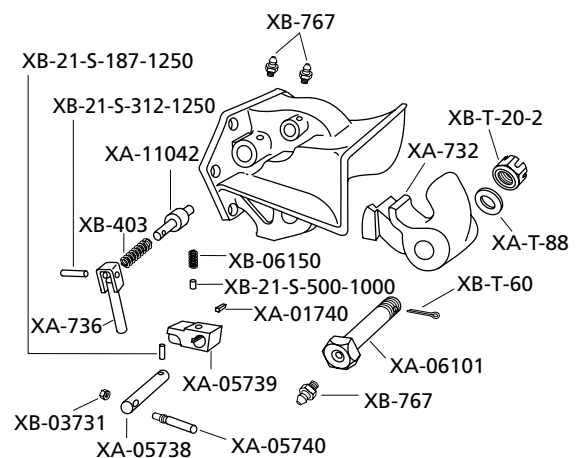
Additional Information

- For off-road* applications, reduce the above maximum capacities by 25% and use with a swivel-mount drawbar.
 - For additional specification detail, refer to document number XL-PH268.
- * See definition on page 71

Mounting Dimensions (CP-740)



Replacement Parts



PH-990ST71 (Rubber Cushioned)

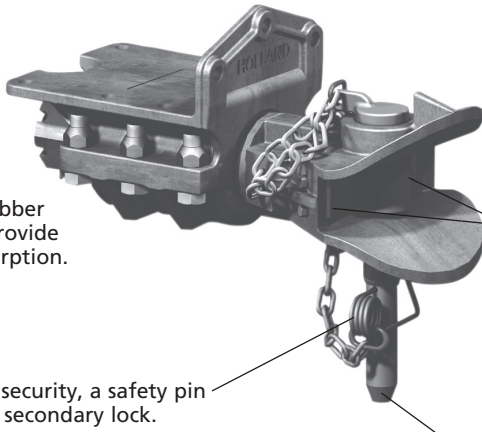
Application

A special frame-mount, swivel style pin and clevis coupler featuring a "fish mouth" head and rubber cushions for shock absorption. Designed for extreme-duty in over-the-road and off-road applications.

Easy to maintain and requires no lubrication.

Internal rubber cushions provide shock absorption.

For added security, a safety pin serves as a secondary lock.



'Fish-mouth' clevis head helps guide the drawbar into position for easier coupling

Wear plates in fish mouth provide a replaceable wear surface and minimize drawbar 'slop'.

The clevis pin is forged steel alloy that is heat treated for strength, durability, and wear resistance.

Weight: 160 lbs. (72.6 kg)

Capacities

100,000 lbs. (45,360 kg) Maximum Gross Trailer Weight
3,000 lbs. (1,360 kg) Maximum Vertical Load

Drawbar Eye Dimensions

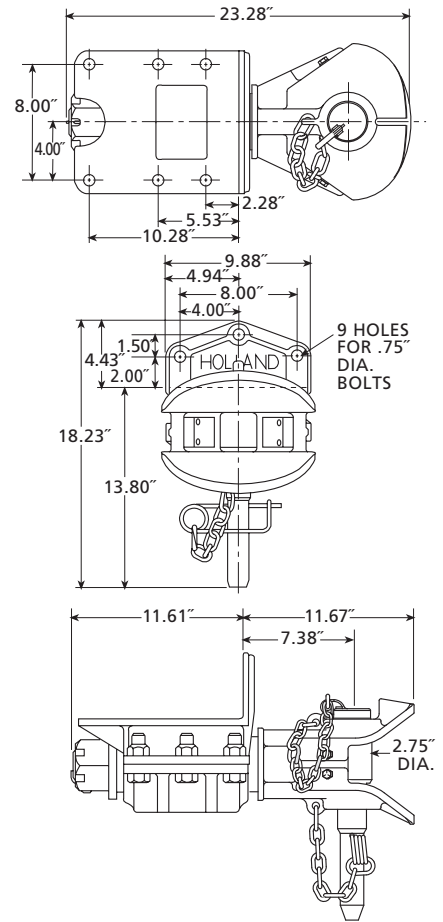
3" I.D. with a 1.63" diameter section.

Additional Information

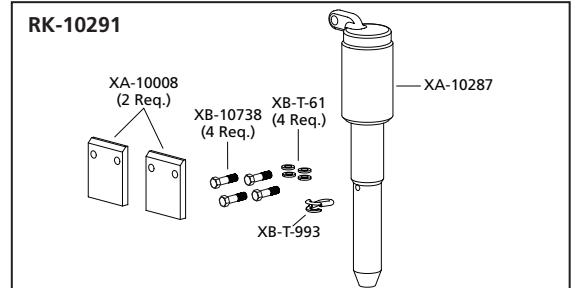
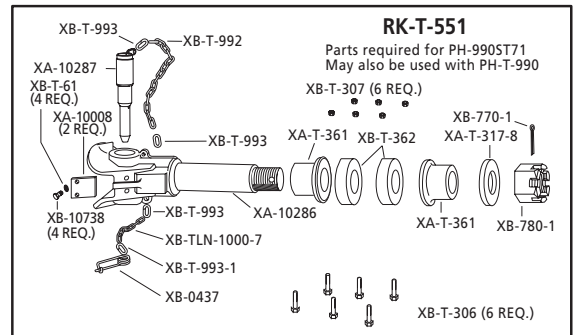
- For off-road* applications, reduce the above maximum capacities by 25%. Not for use with a swivel-mount drawbar.
- For additional specification detail, refer to document number XL-PH219.

* See definition on page 71

Mounting Dimensions



Replacement Parts



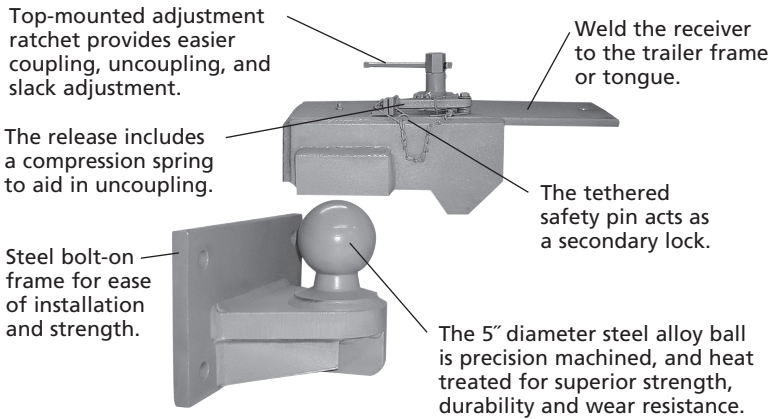
Ball & Receiver Hitch – Rigid Mount (Over-the-Road)

BH-50 (Includes Ball and Receiver Assemblies)

DISCONTINUED
Service parts only are available.
06/14/2023

Application

This ball hitch is ideal for heavy-duty over-the-road applications where high articulation (up to 30°) in all directions is required, and in applications where the vehicle and trailer remain coupled. The BH-50 minimizes chocking.



Weight: 135 lbs. (61.2 kg)

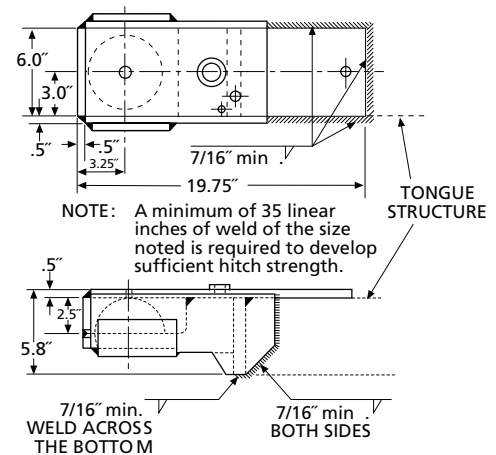
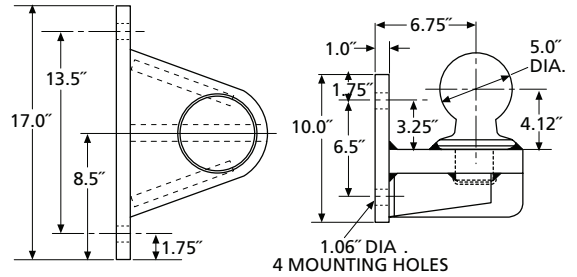
Capacities

80,000 lbs. (36,290 kg) Maximum Gross Trailer Weight
8,000 lbs. (3,630 kg) Maximum Vertical Load

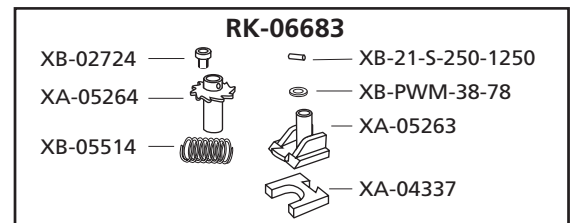
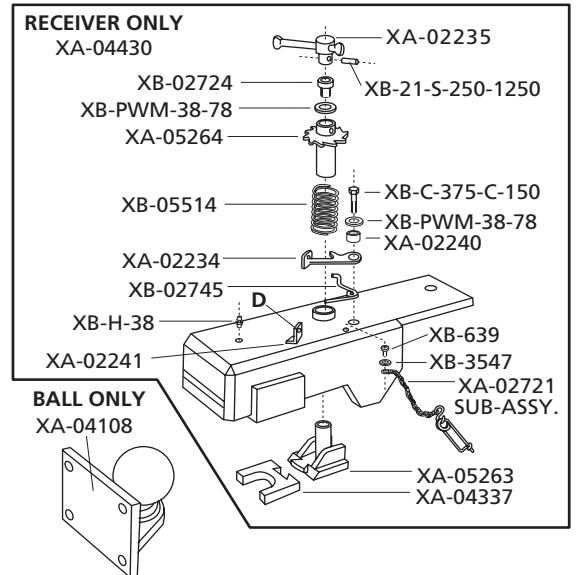
Additional Information

- For additional specification detail, refer to document number XL-PH254.

Mounting Dimensions



Replacement Parts



NO MORE DEFLATED PROFITS.

with

TIRE  **PILOT**
PLUS™

SAF 

No more excess fuel usage.
No more accelerated tire wear.
No more unnecessary downtime.

Tire Pilot Plus™ constantly monitors tire pressure, automatically keeps tires inflated, relieves pressure from overinflated tires and equalizes pressure across all wheel positions.

Maximize tire life and reduce rolling resistance for fuel savings with Tire Pilot Plus™ – an easy spec that will immediately increase your profits.

TECHNOLOGY ENHANCED
TIRE PRESSURE MANAGEMENT SYSTEM

Follow us on



www.safholland.us 800.876.3929

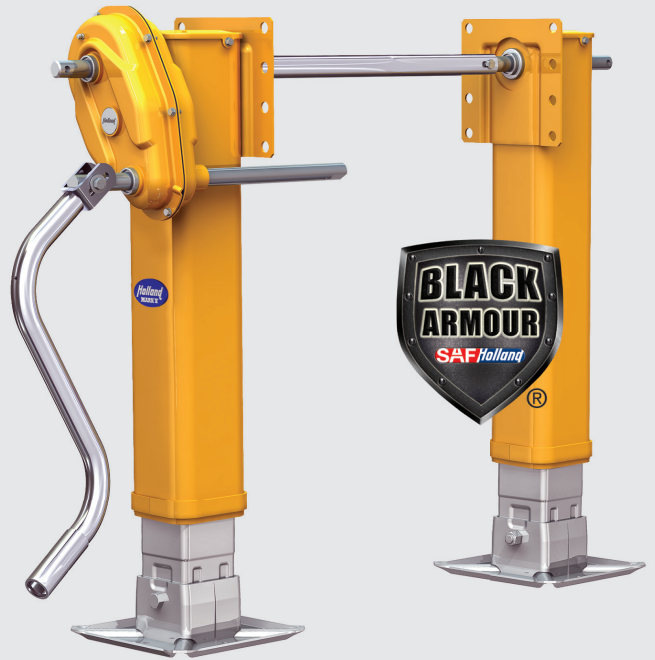
© 2023 SAF-HOLLAND, Inc. All rights reserved.

BUILT FOR A COLD, HARD WORLD



MARK V™ – Tougher than a Canadian winter. Proven performance in heavy and demanding applications.

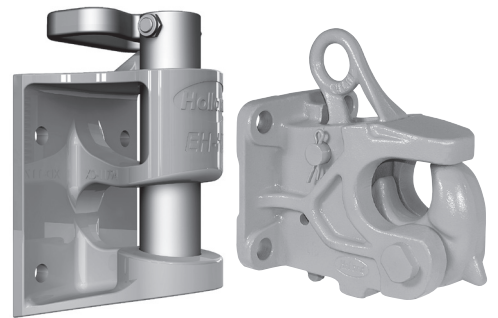
The MARK V™ is the strongest, toughest landing gear in the industry. Built in Canada, the MARK V offers all the advantages you expect from SAF-HOLLAND products, including a comprehensive 5-year warranty and the ultimate in corrosion protection—BLACK ARMOUR®.



- 62,500 lbs. Lift Capacity
- 200,000 lbs. Static Capacity
- BLACK ARMOUR® Corrosion Protection



COUPLINGS
INDUSTRIAL / GSE



- Couplers
- E-Hitch
- Lunettes

Coupler – Rigid Mount (Industrial / GSE)



SAF-HOLLAND Group

DISCONTINUED
 Service parts only are available.
 04/26/2023 and 12/12/2022

CP-400-GSE and CP-400-CA

Application

Strong rigid mount couplers that are designed for industrial material handling and ground support applications. The CP-400-GSE and CP-400-CA are useful where coupling is frequent, and quick and easy coupling release is desired. The latch automatically closes and locks upon coupling.

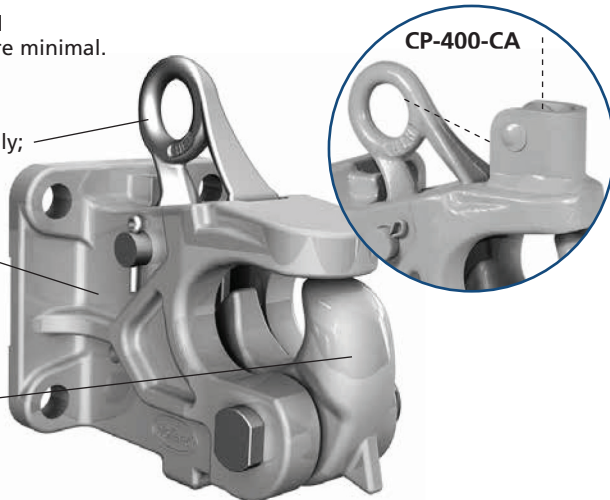
The CP400-CA features an integral roller which accommodates a cable release system to open the coupler from the driver's position.

Lubrication and maintenance are minimal.

Primary lock only; no secondary lock.

Body is cast steel alloy.

Jaw is forged alloy steel and heat treated for strength, toughness, and durability.



Weight: 25 lbs. (11.3 kg)

Capacities

30,000 lbs. (13,610 kg) Maximum Drawbar Pull
 7,500 lbs. (3,400 kg) Maximum Vertical Load

IMPORTANT: There is no secondary lock mechanism. This coupler is not designed for over-the-road applications.

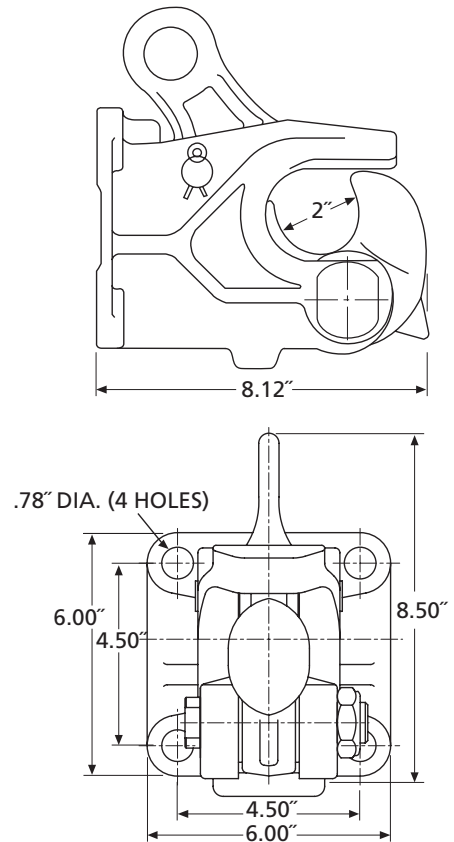
Drawbar Eye Dimensions

2.50" to 3" I.D. with 1.25" to 1.63" diameter section.

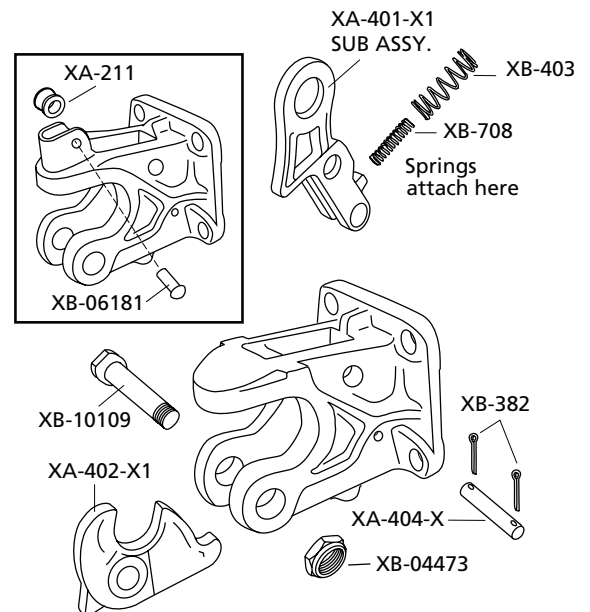
Additional Information

- For more product specific mounting information and operating instructions, refer to SAF-HOLLAND document number XL-PH348 or XL-PH232.

Mounting Dimensions



Replacement Parts



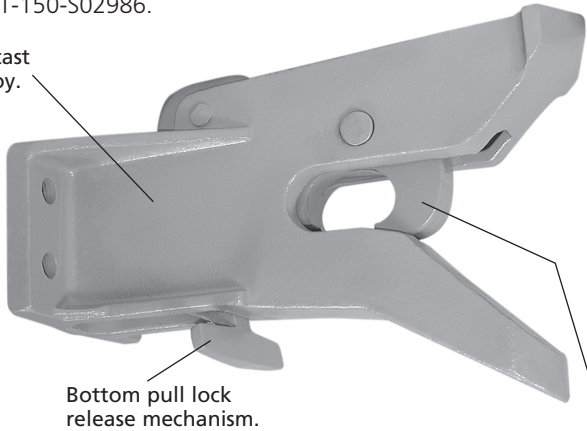
XA-T-150-AF Bolt-On and CP-T-150-S02986 Weld-On

Application

Automatic rigid mount coupler designed for a variety of industrial material handling applications. Useful in instances where coupling is frequent and quick coupling is desired. The latch automatically closes and locks upon coupling.

Available without pre-drilled mounting holes for weld-on installation. Order CP-T-150-S02986.

Body is cast steel alloy.



Bottom pull lock release mechanism.

Jaw remains open upon lock release and automatically closes and locks when drawbar is inserted.

Weight: 15 lbs. (6.8 kg)

Capacities for both Coupler and Coupler Ring

15,000 lbs. (6,800 kg) Maximum Drawbar Pull
50 lbs. (23 kg) Maximum Vertical Load

IMPORTANT: There is no secondary lock mechanism. This coupler is not designed for over-the-road applications.

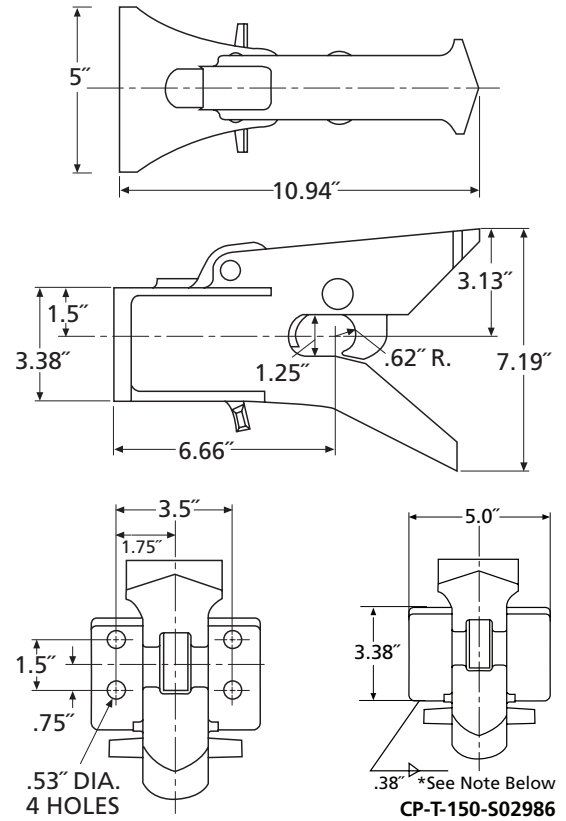
Drawbar Eye Dimensions

Maximum 1" diameter cross-section.

Additional Information

- For more product specific mounting information and operating instructions, refer to SAF-HOLLAND document number XL-PH235.

Mounting Dimensions

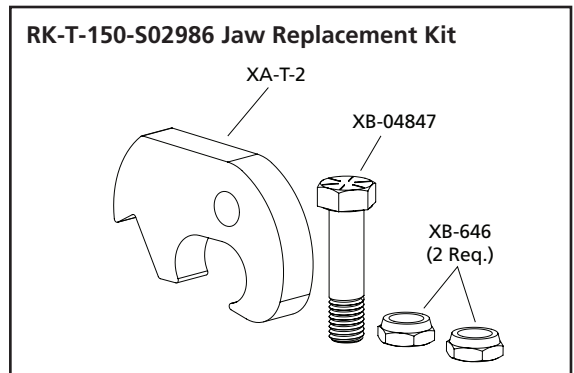


XA-T-150-AF

CP-T-150-S02986

NOTE: Maximum of 16.76 linear inches of .38" fillet weld required to develop rated capacity.

Replacement Parts



eHitch™ MODELS

EH-3050

- 30,000 lb. (13,610 kg) or 50,000 lb. (22,680 kg) Maximum Drawbar Pull, depending on mounting fastener size
- 500 lb. (227 kg) Maximum Vertical Load
- Weight: 21.5 lbs. (9.8 kg)

Drawbar Eye Dimensions

2.25" (57mm) to 3.0" (76mm) I.D. with maximum 1.75" (44mm) diameter section.

FLEX-MOUNT BOLT-ON FLANGE

For original equipment installations or retro-fit / replacement of existing couplings.

The unique flex-mount bolt pattern is compatible with:

- Obsolete HOLLAND E-Hitch models EH-20 and EH-40
- HOLLAND pintle hook mounting patterns, including PH-10RP, PH-T-60-AOL-8, PH-30RP, BH-200RN and BH-50mmRN



EH-HD

- 50,000 lb. (22,680 kg) Maximum Drawbar Pull
- 1,000 lb. (454 kg) Maximum Vertical Load
- Weight: 27 lbs. (12.2kg)

Drawbar Eye Dimensions

2.25" (57mm) to 3.0" (76mm) I.D. with maximum 1.75" (44mm) diameter section.

UNIVERSAL BOLT-ON FLANGE

For original equipment installations or retro-fit / replacement of existing couplings.

Large mounting flange accommodates a broad range of fleet or OEM specified mounting patterns including SAE and metric dimensioning.

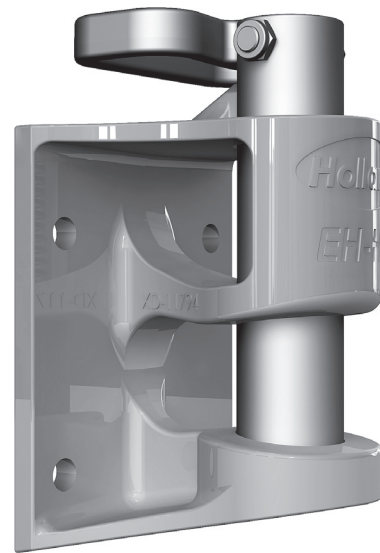
- The user's required mounting pattern, fastener sizes, and rated capacities must be reviewed and approved by SAF-HOLLAND
- Bolt holes are drilled to specification by SAF-HOLLAND
- Standard mounting patterns or custom mounting patterns are also available. Contact SAF-HOLLAND for information.

WELD-ON FLANGE

For original equipment installations or retro-fit / replacement of existing couplings.

Full perimeter weld required for installation

- Bolt holes or holes for plug welding are not permitted



eHitch™ FEATURES

AUTO-LOCK PIN

- Available option for EH-3050 and EH-HD models
- Locks automatically upon closing; then unlocks with a 1/8-turn of the handle when opening
- Auto-lock pins and non-lock pins are interchangeable between the EH-3050 (2014 and later) and EH-HD models
- Simple and efficient lock design – the keyway is cast into the pin and the key is cast into the frame

DURABLE

- Cast carbon steel alloy construction including frame, pin and handle
- Proprietary, precision formed springs are tested to over 1 million compression cycles
- Pins are heat-treated and through-hardened for optimum wear resistance

CORROSION PROTECTION

- Frames receive a 6-stage phosphate pre-treatment prior to an epoxy power coat finish. Standard colors are safety yellow or white. Red is optionally available.
- Pins, springs and handles receive a thermal diffusion zinc coating from a dry, chromate free coating process. This process coats both the outer and inner surfaces of the pin.
- Pins are open on the bottom so that water, ice and debris does not accumulate in the pin.

HOLD-OPEN FEATURE

A standard feature for all non-lock and auto-lock pins. When the pin is raised to its full open position, a 1/8-turn of the handle will engage the hold-open position of the key / keyway.

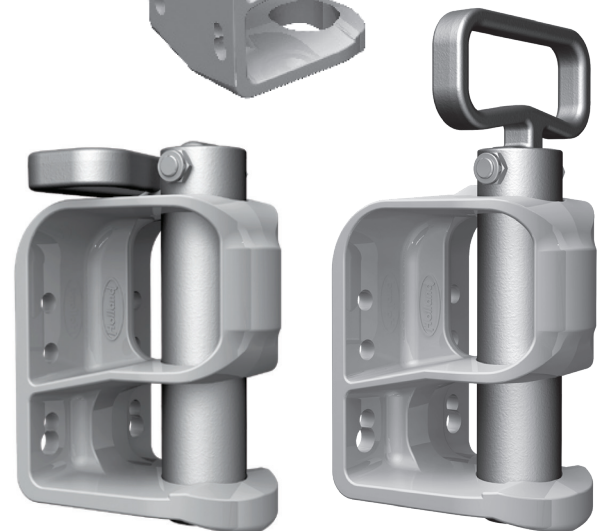
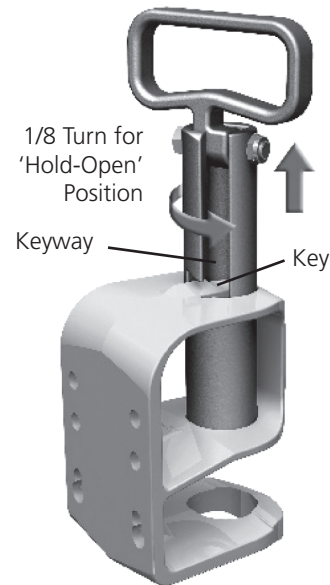
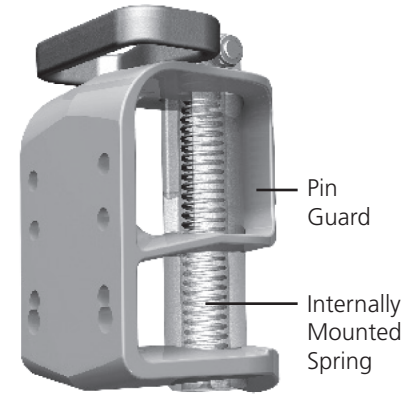
INTERCHANGEABLE HANDLE SETTINGS

All EH models are shipped with handles mounted in the fold-down setting. To change to the other setting, simply remove the handle, turn 180°, and reinstall.



OPTIONAL AUTO-LOCK PIN

IMPACT PROTECTION



FOLD-DOWN SETTING

Allows the handle to fold down towards the rear of the frame.

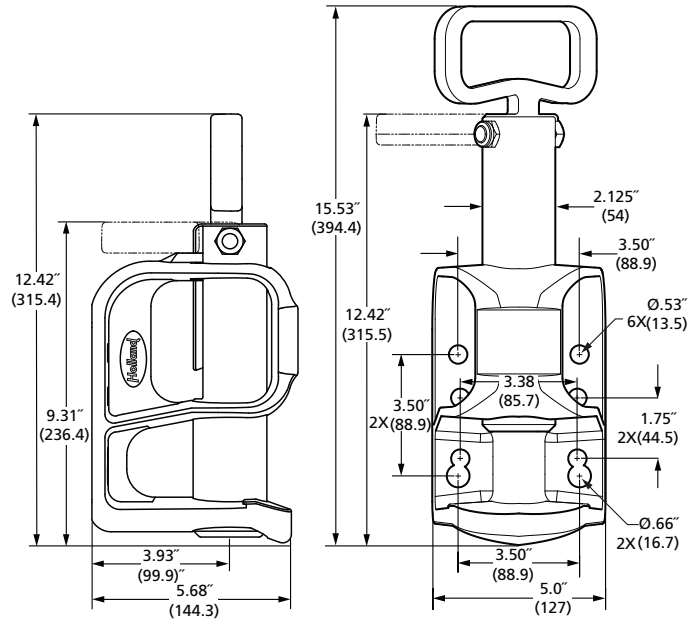
RIGID SETTING

The handle remains rigid and will not fold.

EH-3050 Flex-Mount Bolt-On Flange



OVERALL DIMENSIONS



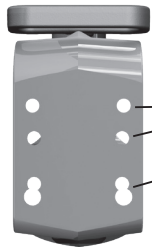
COMPLETE EH-3050 ASSEMBLY PART NUMBERS

With Standard Non-Lock Pin

EH-3050-13 Safety Yellow (Standard Color)

With Optional Auto-Lock Pin

EH-3050AL-13 Safety Yellow (Standard Color)



VARIABLE FOUR (4) BOLT MOUNTING PATTERN

Use only Grade 8 bolts.

Two 1/2" bolts are required for all installations in either the top or middle rows.

Two bolts are required in the bottom row.

For 30,000 lb. (13,610 kg) MDBP installation, use upper slot sized for 1/2" bolts.

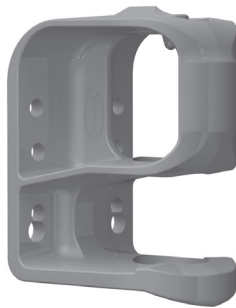
For 50,000 lb. (22,680 kg) MDBP installation, use lower slot sized for 5/8" bolts.

EH-3050 and EH-HD Replacement Parts



EH-HD

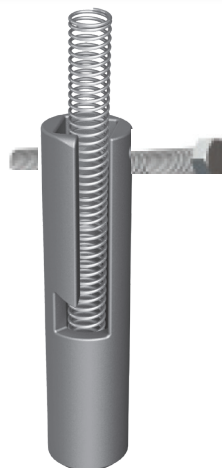
Frames
Not Sold
Separately



EH-3050

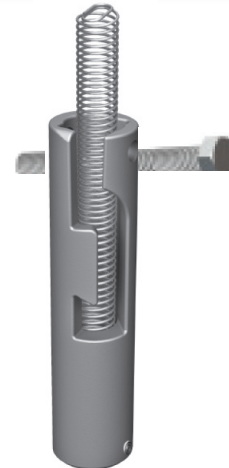


RK-11438
Clipped
Washer Set



STANDARD
NON-LOCK PIN

RK-11439
Pin, Spring,
Bolt, Locknut



OPTIONAL
AUTO-LOCK PIN

RK-11789
Pin and Spring Assembly,
Bolt, Locknut

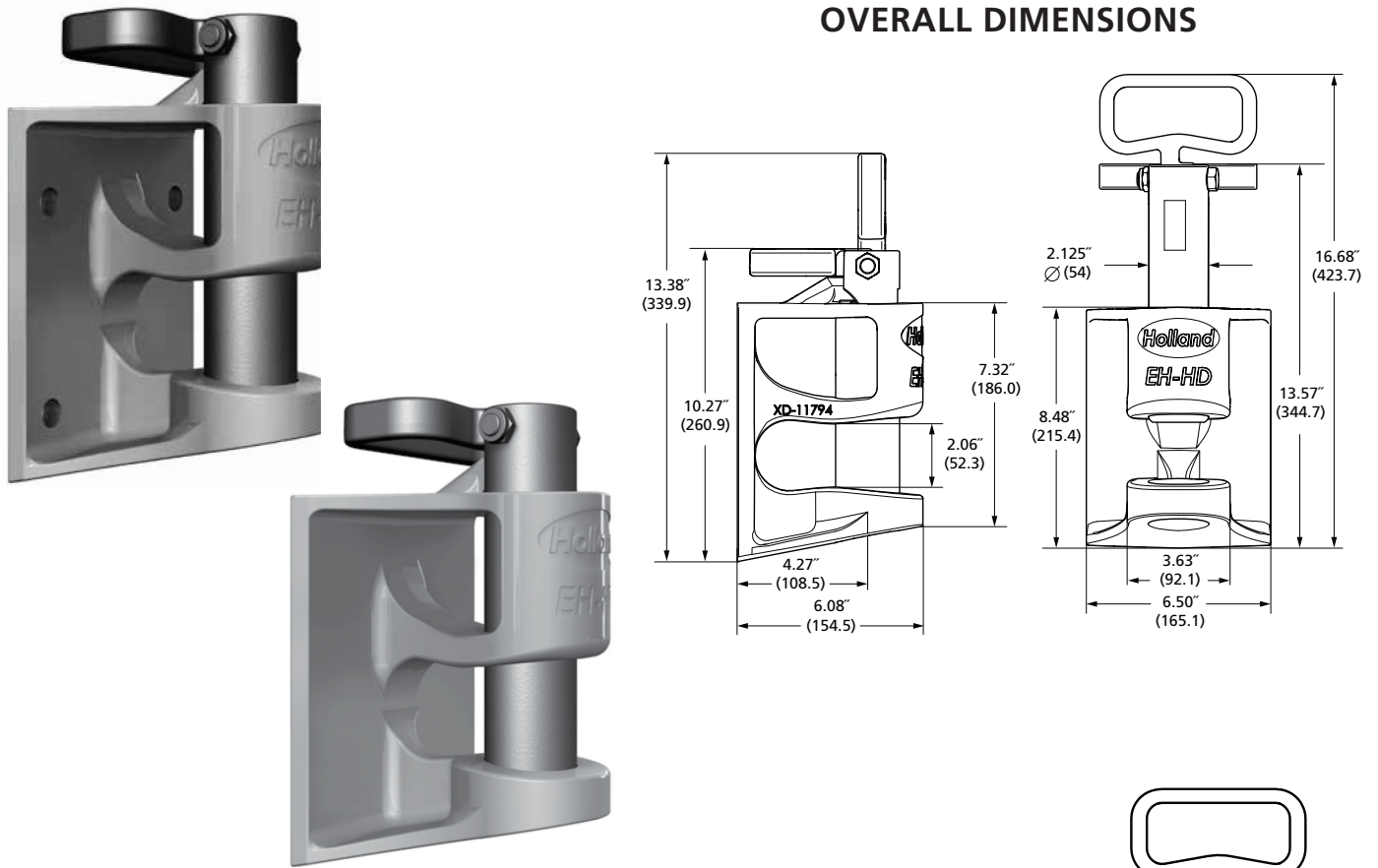


HANDLE

RK-11440
Handle, Bolt,
Locknut

EH-HD Universal Bolt-On Flange and Weld-On Flange

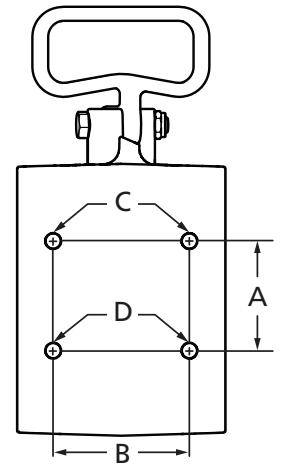
OVERALL DIMENSIONS



MODEL EH-HD	PIN STYLE XX	-	MOUNTING XX	COLOR XX
	'Leave Blank' for standard Non-Lock Pin Add 'AL' for optional Auto-Lock		See Mounting Pattern Codes Below	13 - Safety Yellow (standard) 14 - White (standard) 17 - Red (optional)

Part Number Example:

EH-HDAL-0013 = EH-HD Model with optional Auto-Lock Pin (AL), Weld-On Mounting (-00), Safety Yellow Color (13)



MOUNTING PATTERN CODES					RATED CAPACITIES	
WELD-ON CODE					MAXIMUM DRAWBAR PULL	MAXIMUM VERTICAL LOAD
00	Full perimeter weld (see EH-HD Owner's Manual XL-PH20007UM for welding specification)				50,000 lbs. (22,680 kg)	1,000 lbs. (454 kg)
BOLT-ON CODES*	DIMENSIONS		BOLT SIZE			
	'A'	'B'	'C'	'D'		
05	4.75" (120.7mm)	4.75" (120.7mm)	.63" (15.9mm)	.63" (15.9mm)	50,000 lbs. (22,680 kg)	1,000 lbs. (454 kg)

* Large mounting flange is designed to accommodate a broad range of fleet or OEM specified mounting patterns including SAE and metric dimensioning. Contact SAF-HOLLAND for more information regarding currently available patterns or for custom fleet/OEM requested mounting patterns.

DB-010EJ1 and DB-020FK1

- Forged, one-piece steel alloy lunettes
- Non-hardened/non-painted for weldability
- Intended for industrial truck and GSE applications
- Tested in accordance with SAE J847

DB-010EJ1



Weld onto 2"x 4" (11 gauge) structural tubing

DB-020FK1



Forged steel universal weld-on lunette

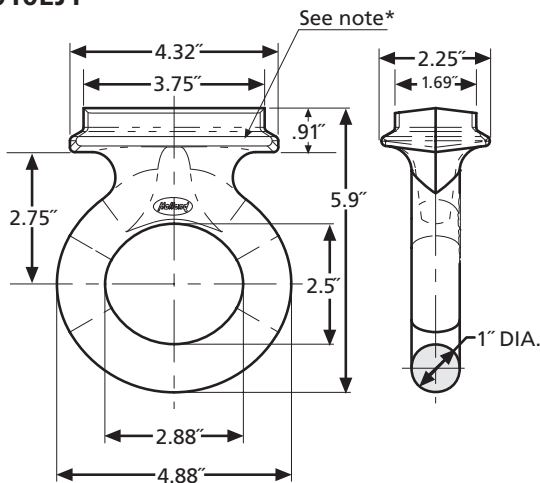
Rigid Tongue Trailers				Hinged Tongue Trailers			
				500 lb. Maximum Vertical Load		Weight	
Capacities		lb.	kg	lb.	kg	lb.	kg
DB-010EJ1 2.88" (73.2mm) Eye	GTW	10,000	4,536	20,000	9,072	15	6.8
	VERTICAL	2,000	907	500	227		
DB-020FK1 3" (76.2mm) Eye	GTW	20,000	9,072	40,000	18,144	22	10
	VERTICAL	4,000	1,814	500	227		

Additional Information

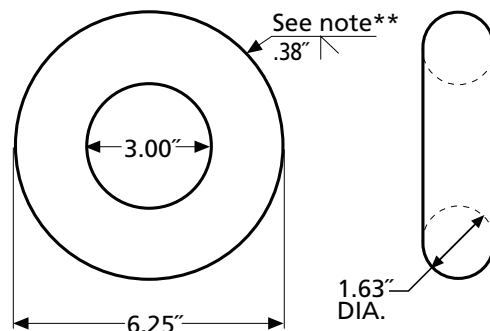
- For additional specifications, refer to document XL-DB124.

Mounting Dimensions

DB-010EJ1



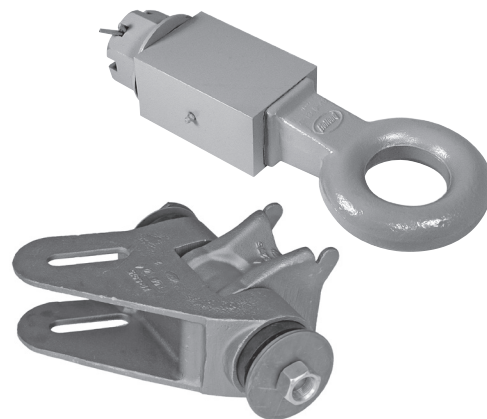
DB-020FK1



***NOTE:** A minimum of 12" linear inches of .38" weld on 2"x 4" (11 gauge) structural tubing required to obtain ratings.

****NOTE:** 8.5" of linear weld .38" bevel groove weld (3"x 1.25" bar used) required to obtain ratings.

DRAWBAR EYES & HINGE ASSEMBLY



- Compatibility Chart
- Rigid Mount – Bolt-On/Weld-On
- Air Cushioned
- Swivel Mount
- Drawbar Hinge Assembly

Drawbar Eye Compatibility



SAF-HOLLAND Group

			NON-ROAD IND/GSE USE ONLY										
			R	R	R	R	R	R	R	R	R	R	R
DRAWBAR NUMBER			DB-010E1	DB-020FK1	DB-1250-3	DB-1228-1	DB-1238	DB-030DQ1	DB-1235-1	DB-1235-3	DB-040DQ1	DB-1245-1	DB-1249-49
Max Vertical Load			2,000	4,000	3,000	4,000	4,500	6,000	7,000	7,000	8,000	8,000	9,000
GTW			10,000	20,000	15,000	20,000	22,000	30,000	35,000	35,000	40,000	40,000	45,000
GTW w/500 lbs. Vertical			20,000	40,000	50,000	60,000	70,000	38,000	90,000	90,000	60,000	90,000	85,000
Eye I.D. Diameter			2.5"	3"	2.5"	2.5"	3"	2.5"	3"	3"	2.5"	2.38"	3"
PINTLE HOOK MODEL MAX GTW													
PH-10RP	R	10,000	X	X	X	X	X	X	X	X	X	X	X
BH-200RN	R	20,000	X	X	X	X	X	X	X	X	X	X	X
BH-50mmRN	R	20,000	X	X	X	X	X	X	X	X	X	X	X
PH-T-60-AOS-L-8	S	18,000	X	X	X	X	X	X	X	X	X	X	X
PH-T-60-AOL-8	R	30,000	X	X	X	X	X	X	X	X	X	X	X
PH-30RP	R	30,000	X	X	X	X	X	X	X	X	X	X	X
PH-30SA	S	30,000	X	X	X	X	X	X	X	X	X	X	X
PH-30SB	S	30,000	X	X	X	X	X	X	X	X	X	X	X
PH-300 / 300-R	R	72,000	X	X	X	X	X	X	X	X	X	X	X
PH-210	R	90,000	X	X	X	X	X	X	X	X	X	X	X
PH-310	R	100,000	X	X	X	X	X	X	X	X	X	X	X
PH-400 / 400-H	R	100,000	X	X	X	X	X	X	X	X	X	X	X
PH-410	R	100,000	X	X	X	X	X	X	X	X	X	X	X
PH-419	R	100,000	O	X	O	O	X	O	X	X	O	O	X
PH-550	R	100,000	X	X	X	X	X	X	X	X	X	X	X
PH-760	S	49,000	O	O	O	O	X	O	X	X	O	O	X
PH-775	S	100,000	O	O	O	O	X	O	X	X	O	O	X
COUPLER MODEL													
CP-400-H	R	30,000	X	X	X	X	X	X	X	X	X	X	X
CP-360	R	52,000	X	X	X	X	X	X	X	X	X	O	X
CP-730	S	100,000	O	O	O	O	O	O	X	X	O	O	X
CP-740	R	100,000	O	O	O	O	O	O	X	X	O	O	X
PH-990ST71	S	100,000	O	O	O	O	O	O	X	X	O	O	X
INDUSTRIAL / AVIATION GROUND SUPPORT EQUIPMENT (Non-Road)													
CP-400-GSE / CA	R	30,000	X	X	X	X	X	X	X	X	X	X	X
EH-3050	R	50,000	X	X	X	X	X	X	X	X	X	X	X
EH-HD	R	50,000	X	X	X	X	X	X	X	X	X	X	X

R = RIGID X = COMPATIBLE
S = SWIVEL O = NOT COMPATIBLE

This information reflects only the dimensional compatibility between HOLLAND lunettes (eyes) and HOLLAND pintle hook horns, coupler jaws and clevis pins.

This information is not an assurance of operational or application compatibility between coupling products. Compatibility of the complete 'coupling system' requires additional information.

Please go to the Reference Sections of this catalog (page 61) for helpful information, including:

- Safety Information
- Coupling System Selection
- Operating Conditions
- Mounting Information



	S	S	R	S	S				R	R	R	R
DB-045BS1	DB-045BW1	DB-610-30	DB-060FQ1	DB-1407-S	DB-1407-SE	DB-1407-L-1	DB-1407-S-1	DB-1407-SE-1	DB-1400	DB-1400AC	DB-1422	DB-100FQ1
9,000	9,000	9,000	15,000	500	500	16,000	16,000	16,000	18,000	18,000	18,000	20,000
45,000	45,000	45,000	60,000	40,000	34,000	85,000	85,000	85,000	90,000	90,000	90,000	100,000
85,000	85,000	85,000	90,000	40,000	34,000	120,000	120,000	120,000	120,000	120,000	120,000	125,000
2.38"	2.38"	3"	3"	2.38"	2.38"	2.38"	2.38"	2.38"	2.38"	2.38"	2.38"	3"
PINTLE HOOK MODEL MAX GTW												
X	X	X	X	X	X	X	X	X	X	X	X	X
X	X	X	X	X	X	X	X	X	X	X	X	X
X	X	X	X	X	X	X	X	X	X	X	X	X
X	O	O	X	O	O	X	X	X	X	X	X	X
X	X	X	X	X	X	X	X	X	X	X	X	X
X	X	X	X	X	X	X	X	X	X	X	X	X
X	O	O	X	O	O	X	X	X	X	X	X	X
X	O	O	X	O	O	X	X	X	X	X	X	X
X	X	X	X	X	X	X	X	X	X	X	X	X
X	X	X	X	X	X	X	X	X	X	X	X	X
X	X	X	X	X	X	X	X	X	X	X	X	X
X	X	X	X	X	X	X	X	X	X	X	X	X
X	X	X	X	X	X	X	X	X	X	X	X	X
O	O	X	X	O	O	O	O	O	O	O	O	X
X	X	X	X	X	X	X	X	X	X	X	X	X
O	O	O	X	O	O	O	O	O	O	O	O	X
O	O	O	X	O	O	O	O	O	O	O	O	X
COUPLER MODEL												
X	X	X	X	X	X	X	X	X	X	X	X	X
O	O	X	X	O	O	O	O	O	O	O	O	X
O	O	X	O	O	O	O	O	O	O	O	O	O
O	O	X	O	O	O	O	O	O	O	O	O	O
O	O	O	O	O	O	O	O	O	O	O	O	O
INDUSTRIAL / AVIATION GROUND SUPPORT EQUIPMENT (Non-Road)												
X	X	X	X	X	X	X	X	X	X	X	X	X
X	X	X	X	X	X	X	X	X	X	X	X	X
X	X	X	X	X	X	X	X	X	X	X	X	X

R = RIGID X = COMPATIBLE
 S = SWIVEL O = NOT COMPATIBLE

This information reflects only the dimensional compatibility between HOLLAND lunettes (eyes) and HOLLAND pintle hook horns, coupler jaws and clevis pins.

This information is not an assurance of operational or application compatibility between coupling products. Compatibility of the complete 'coupling system' requires additional information.

Please go to the Reference Sections of this catalog (page 61) for helpful information, including:

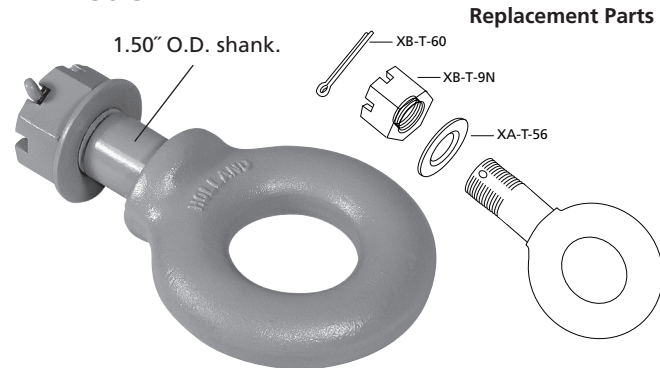
- Safety Information
- Coupling System Selection
- Operating Conditions
- Mounting Information

Drawbar Eyes – Rigid Mount, Bolt-On Shank

DB-1250-3

- Forged, one-piece steel alloy drawbar
- Heat treated for strength
- I.D. of eye is induction hardened for wear resistance
- Tested in accordance with SAE J847

DB-1250-3



		Rigid Tongue Trailers		Hinged Tongue Trailers		Weight	
Capacities		lb.	kg	500 lb. Max. Vertical Load		lb.	kg
DB-1250-3 2.5" (63.5mm) Eye	GTW	15,000	6,804	50,000	22,680	9	4
	VERTICAL	3,000	1,361	500	227		

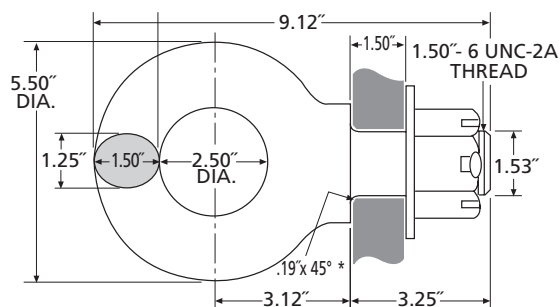
Additional Information

- Not recommended for swivel mount applications.
- When mounted, high clamp force is required to provide rated capacities.
- For off-road* applications, reduce published capacities by 25% and use with swivel-mount coupling.
- For additional specifications, refer to document XL-DB104.

* See definition on page 71

Mounting Dimensions

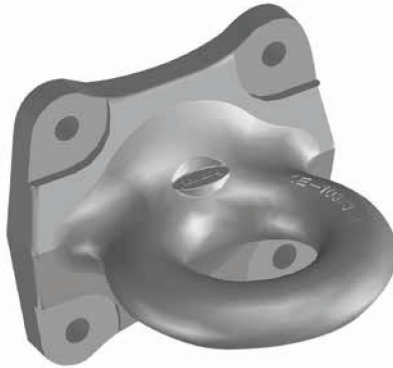
DB-1250-3



DB-040DQ1, DB-060FQ1 and DB-100FQ1

- Forged, one-piece steel alloy drawbar
- Heat treated for strength
- I.D. of eye is induction hardened for wear resistance
- Tested in accordance with SAE J847

DB-040DQ1



**DB-060FQ1
DB-100FQ1**



		Rigid Tongue Trailers		Hinged Tongue Trailers		Dim. 'A'	Grade 8 Fastener Size	Weight	
Capacities		lb.	kg	500 lb. Max. Vertical Load				lb.	kg
DB-040DQ1	GTW	40,000	18,144	60,000	27,216	0.656"	5/8"	14	6.4
	2.5" (63.3mm) Eye VERTICAL	8,000	3,629	500	227				
DB-060FQ1	GTW	60,000	27,216	90,000	40,824	0.780"	3/4"	19	8.6
	3" (76.2mm) Eye VERTICAL	15,000	6,804	500	227				
DB-100FQ1	GTW	100,000	45,360	125,000	56,700	0.910	7/8"	19	8.6
	3" (76.2mm) Eye VERTICAL	20,000	9,072	500	227				

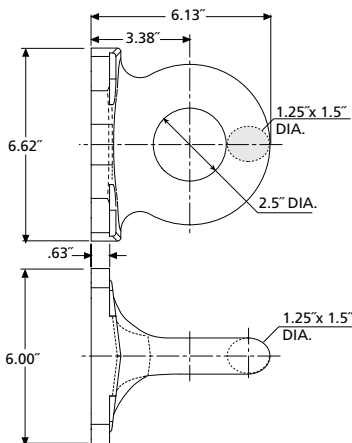
Additional Information

- **IMPORTANT – DO NOT WELD** – Not designed for welded installation.
- Use only new Grade 8 bolts and Grade C locknuts
- For off-road* applications, reduce published capacities by 25% and use with swivel-mount coupling.
- For additional specifications, refer to documents XL-DB126 and XL-DB125.

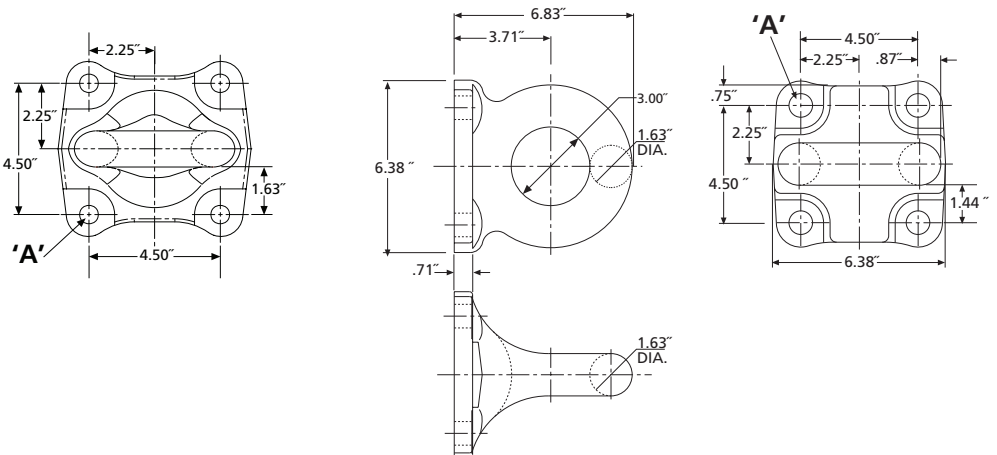
* See definition on page 71

Mounting Dimensions

DB-040DQ1

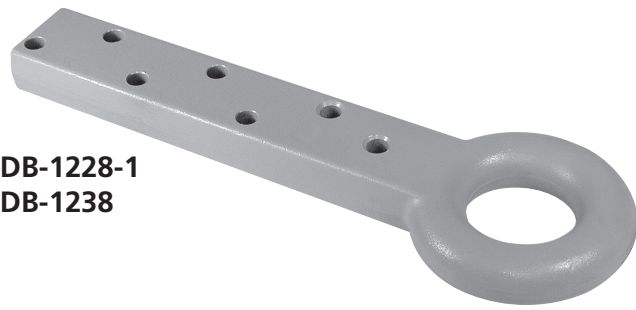


DB-060FQ1 & DB100FQ1



DB-1228-1, DB-1238, DB-1245-1, DB-1235-1 & DB-1235-3

- Forged, one-piece steel alloy drawbars
- Heat treated for strength
- I.D. of eye is induction hardened for wear resistance.
- Tested in accordance with SAE J847.



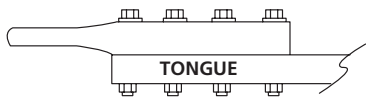
**DB-1228-1
DB-1238**



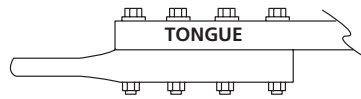
**DB-1245-1
DB-1235-1
DB-1235-3**

Rigid Tongue Trailers

SAF-HOLLAND testing confirms that the type of drawbar mount for a rigid tongue trailer can affect the vertical load capacity of the tongue/drawbar assembly due to the bolt loads associated with the particular mounting type (reference chart below).



Over-Tongue Mount



Under-Tongue Mount

Vertical rating may be increased by 50% from over-tongue mount.

Hinged Tongue Trailers

When used in hinged tongue trailer applications where maximum vertical load cannot exceed 500 lbs. (227 kg).

Hinged tongue capacities are not affected by over/under-tongue mounting.

	Rigid Tongue Trailers						Hinged Tongue Trailers		
	Capacities	lb.	kg		lb.	kg	Capacities	lb.	kg
DB-1238 3" ID (76.2mm) Eye	GTW VERTICAL	22,000 4,500	9,979 2,041	GTW VERTICAL	22,000 6,750	9,979 3,062	GTW VERTICAL	70,000 500	31,752 227
DB-1245-1 2.38" ID (60.5 mm) Eye	GTW VERTICAL	40,000 8,000	18,144 3,629	GTW VERTICAL	40,000 12,000	18,144 5,433	GTW VERTICAL	90,000 500	40,824 227
DB-1235-1 3" ID (76.2mm) Eye	GTW VERTICAL	35,000 7,000	15,876 3,175	GTW VERTICAL	35,000 10,500	15,876 4,763	GTW VERTICAL	90,000 500	40,824 227

Additional Information

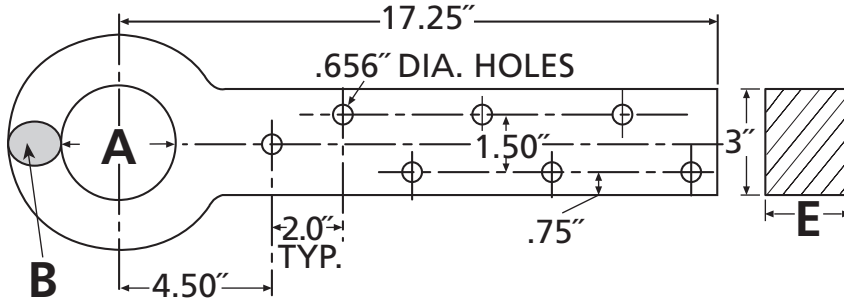
- SAF-HOLLAND recommends that all bolt holes be used.
- Use only Grade 8 bolts and Grade C locknuts.
- **IMPORTANT – DO NOT WELD** – Not designed for welded installation.
- For off-road* applications, reduce published capacities by 25% and use with swivel-mount coupling.
- For additional specifications, refer to document XL-DB101.

* See definition on page 71

Mounting Dimensions

DB-1228-1
DB-1238

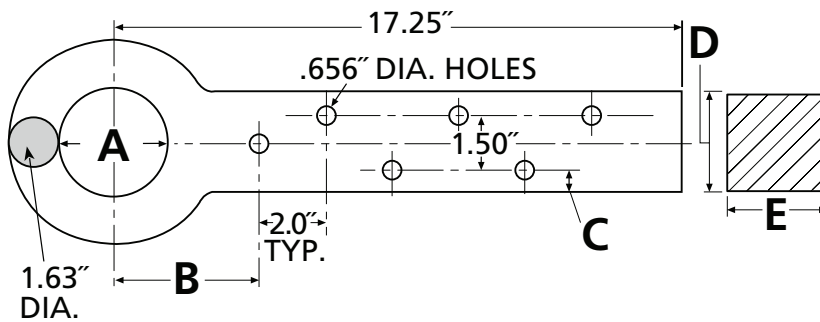
DISCONTINUED
Service parts only are available.
06/27/2013



	Dimensions			Weight	
	A	B	E	lb.	kg
DB-1228-1	2.50"	1.25" x 1.50" Oval	1.25	20	9.1
DB-1238	3.0"	1.63" Round	1.62"	26	11.8

Mounting Dimensions

DB-1245-1
DB-1235-1
DB-1235-3



	Dimensions					Weight	
	A	B	C	D	E	lb.	kg
DB-1245-1	2.38"	6.0"	0.75"	3.0"	3.0"	41	18.6
DB-1235-1	3.0"	6.0"	0.82"	3.12"	3.12"	42	19.1

Drawbar Eyes – Rigid Mount, Weld-On

DB-1400 and DB-1422

- Forged, one-piece steel alloy drawbar
- I.D. of eye is induction hardened for wear resistance
- Tested in accordance with SAE J847

DB-1400

Use with 3" channel or square tubing.

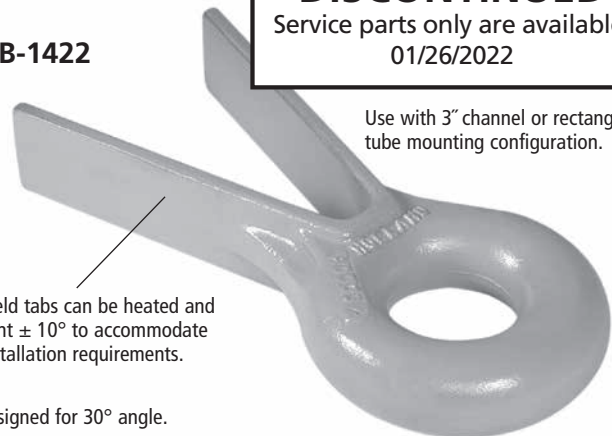


Designed for 20° minimum and 60° maximum angle.

DB-1422

DISCONTINUED
Service parts only are available.
01/26/2022

Use with 3" channel or rectangular tube mounting configuration.



Weld tabs can be heated and bent $\pm 10^\circ$ to accommodate installation requirements.

Designed for 30° angle.

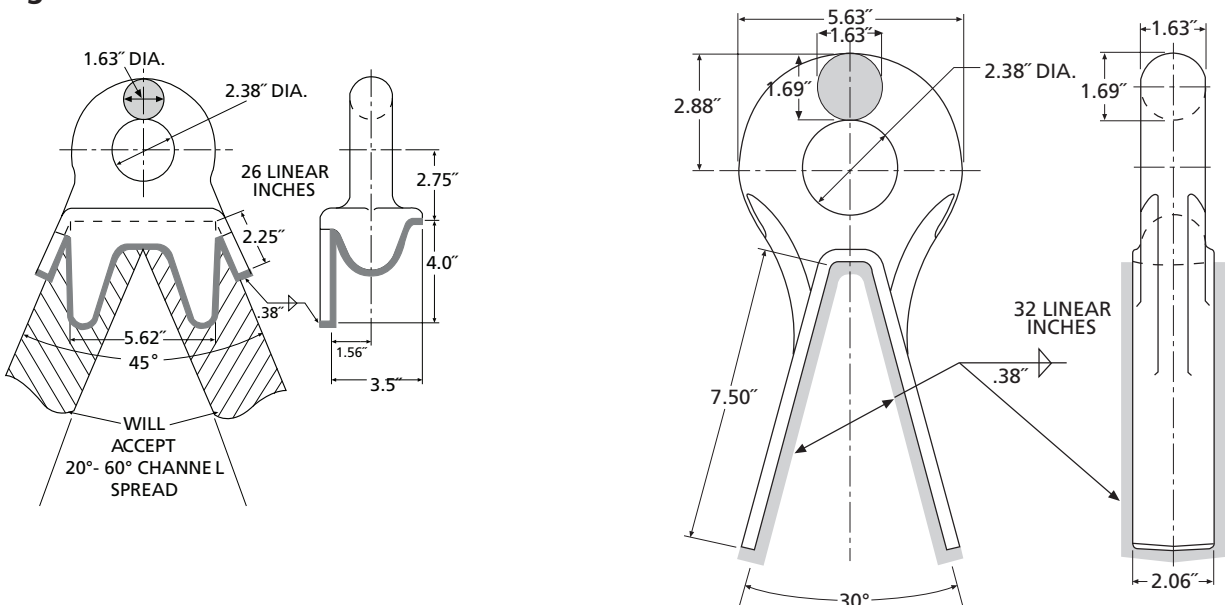
		Rigid Tongue Trailers		Hinged Tongue Trailers			
				500 lb. Max. Vertical Load		Weight	
Capacities		lb.	kg	lb.	kg	lb.	kg
DB-1400 2.38" (60.5mm) Eye	GTW	90,000	40,824	120,000	54,432	14	6.4
	VERTICAL	18,000	8,165	500	227		
DB-1422 2.38" (60.5mm) Eye	GTW	90,000	40,824	120,000	54,432	11	5
	VERTICAL	18,000	8,165	500	227		

Additional Information

- For off-road* applications, reduce the published capacities by 25% and use with a swivel-mount coupling.
- For additional specifications, refer to documents XL-DB113 and XL-DB116.

* See definition on page 71

Mounting Dimensions



Drawbar Eyes – Rigid Mount, Weld-On, 'Air-Cushioned'

DB-1400AC Series: DB-1400AC-1, DB-1400AC-2, DB-1400AC-3, DB-1400AC-4

- Forged, one-piece steel alloy drawbar
- I.D. of eye is induction hardened for wear resistance
- Tested in accordance with SAE J847

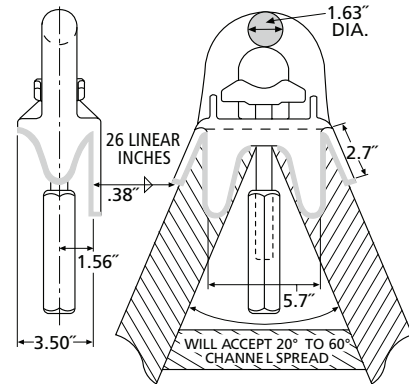
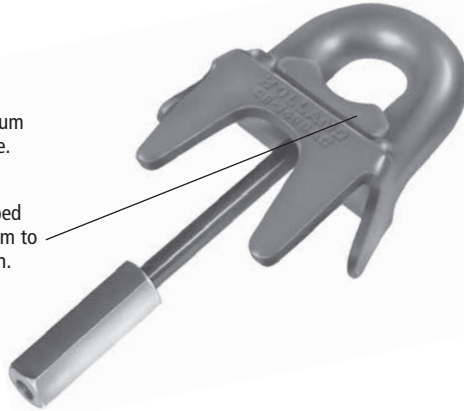
DISCONTINUED
Service parts only are available.
01/26/2022

Mounting Dimensions

Use with 3" channel or square tubing.

Designed for 20° minimum and 60° maximum angle.

Snubber force is developed by the vehicle's air system to provide shock absorption.



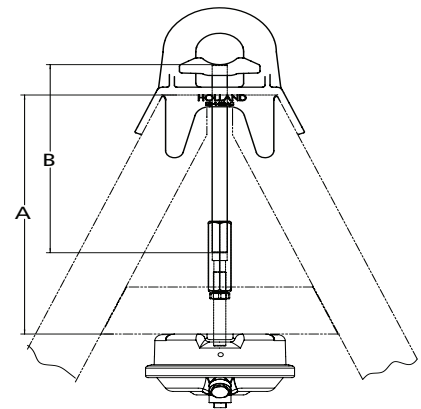
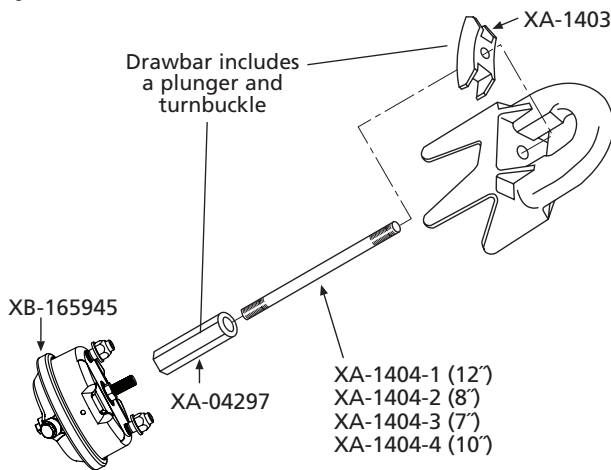
		Rigid Tongue Trailers		Hinged Tongue Trailers		Weight	
				500 lb. Max. Vertical Load			
Capacities		lb.	kg	lb.	kg	lb.	kg
DB-1400AC	GTW	90,000	40,824	120,000	54,432	14	6.4
2.38" (60.5mm) Eye	VERTICAL	18,000	8,165	500	227		

Additional Information

- For off-road* applications, reduce the published capacities by 25% and use with a swivel-mount coupling.
- For additional specifications, refer to document XL-DB114.

* See definition on page 71

Replacement Parts



A = Distance required to mount air chamber
B = Rod length

MODEL*	DIM "A"	DIM "B"
DB-1400AC-1	15.25"	12.00"
DB-1400AC-2	11.25"	8.00"
DB-1400AC-3	10.25"	7.00"
DB-1400AC-4	13.25"	10.00"

*Air cylinder is NOT included; order separately.

Drawbar Eyes – Swivel Mount, Bolt-On Shank



SAF-HOLLAND Group

DB-1407

- Forged, one-piece steel alloy drawbar
- Heat treated for strength
- I.D. of eye is induction hardened for wear resistance
- Tested in accordance with SAE J847



DISCONTINUED
 Service parts only are available.
 01/26/2022

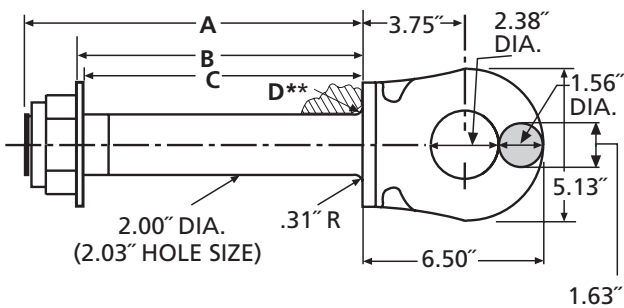
	Rigid Tongue Trailers			Hinged Tongue Trailers		
	Capacities	lb.	kg	Capacities	lb.	kg
				500 lb. Max. Vertical Load		
DB-1407-L-1/-S-1/-SE-1 2.38" (60.5mm) Eye	GTW VERTICAL	85,000 16,000	38,556 7,258	GTW VERTICAL	120,000 500	54,432 227

Additional Information

- For off-road* applications, reduce the published capacities by 25% and use with a rigid-mount coupling.
- For additional specifications, refer to document XL-DB117.

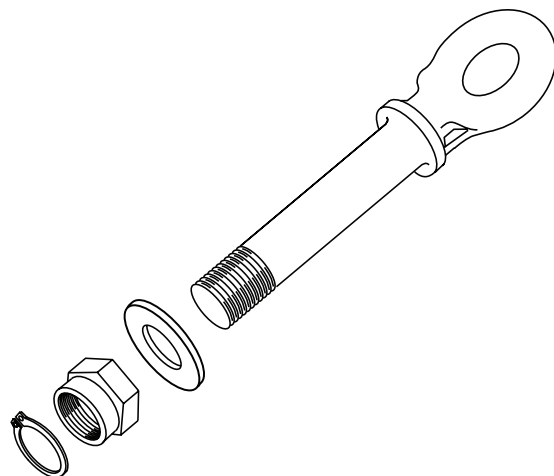
* See definition on page 71

Mounting Dimensions



MODEL NO.	A	B	C	**CHAMFER D	WEIGHT lb.	kg
DB-1407-S-1*	11.62"	9.4"	9.3"	.38" x 45°	24	10.9
DB-1407-L-1*	12.25"	10.1"	9.9"	.38" x 45°	25	11.3
DB-1407-SE-1*	13.13"	10.9"	10.8"	.38" x 45°	26	11.8

Replacement Parts



* Includes drawbar washer, nut and retaining ring.

** The mounting surface must have adequate chamfer, as shown above, so that the drawbar mounts flush with the mounting surface.

DB-090BW1 Weld-On Assemblies

- Steel housing features replaceable rubber bushings
- Forged, one-piece steel alloy drawbar
- Heat treated for strength
- I.D. of eye is induction hardened for wear resistance
- Tested in accordance with SAE J847



		Hinged Tongue Trailers		Weight	
		500 lb. Max. Vertical Load			
Capacities		lb.	kg	lb.	kg
DB-1407-SE 2.38" (60.5mm) Eye	GTW	34,000	15,422	50	22.6
	VERTICAL	500	227		
DB-1407-S 2.38" (60.5mm) Eye	GTW	40,000	18,144	45	20.4
	VERTICAL	500	227		

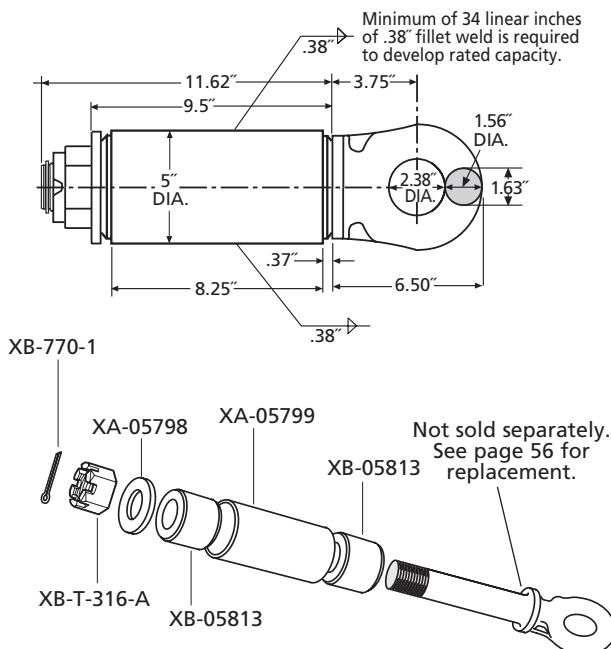
Additional Information

- Rubber cushioned housings are recommended for hinged tongue trailer applications only.
- For off-road* applications, reduce the published capacities by 25% and use with a swivel-mount coupling.
- For additional specifications, refer to documents XL-DB119 and 118.

* See definition on page 71

Mounting Dimensions

DB-090BW1



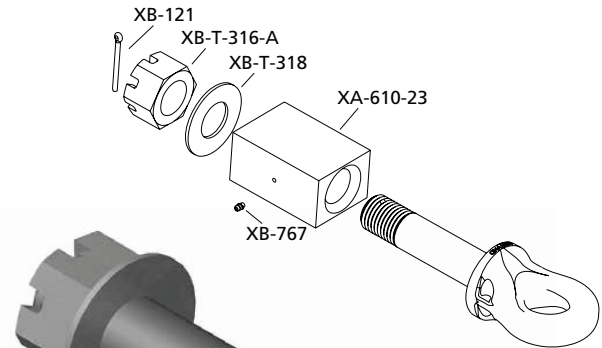
DB-045BW1 Weld-On Assembly

- Steel block housing features close dimensional tolerances
- Features grease zerk for easy lubrication

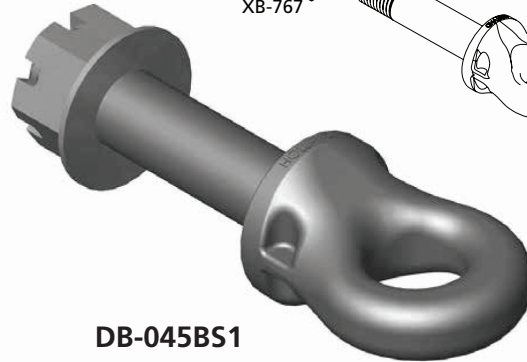
DB-045BS1 Bolt-On

- Forged, one-piece steel alloy drawbar
- Heat treated for strength
- I.D. of eye is induction hardened for wear resistance
- Tested in accordance with SAE J847

Replacement Parts



DB-045BW1



DB-045BS1

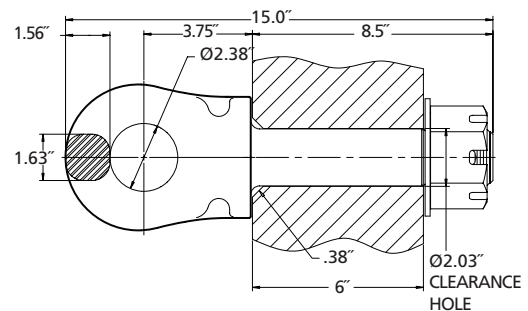
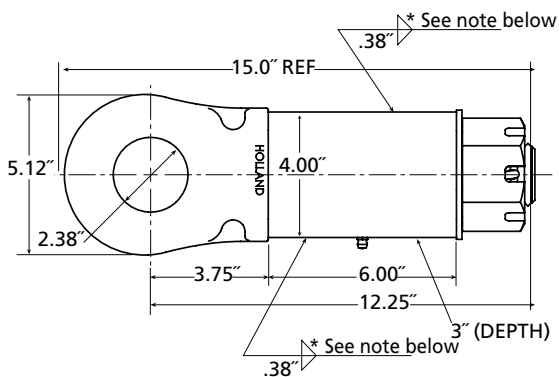
		Rigid Tongue Trailers		Hinged Tongue Trailers			
				500 lb. Max. Vert. Load		Weight	
Capacities		lb.	kg	lb.	kg	lb.	kg
DB-045BW1 Assembly 2.38" (60.5mm) Eye	GTW	45,000	20,412	85,000	38,556	38	17.2
	VERTICAL	9,000	4,082	500	227		
DB-045BS1 Drawbar 2.38" (60.5mm) Eye	GTW	45,000	20,412	85,000	38,556	23	10.4
	VERTICAL	9,000	4,082	500	227		

Additional Information

- For off-road* applications, reduce the published capacities by 25% and use with a rigid-mount coupling.
- For additional specifications, refer to document XL-DB131 or XL-DB132.

* See definition on page 71

Mounting Dimensions



***NOTE:** Minimum of 24 linear inches of .38" fillet weld required to develop rated capacity.

NOTE: The mounting surface must have an adequate chamfer, as shown above, so that the drawbar mounts flush with the mounting surface.

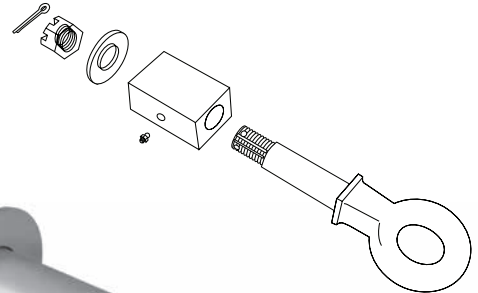
DB-610-30 Weld-On Assembly

- Steel block housing features close dimensional tolerances
- Features grease zerk for easy lubrication

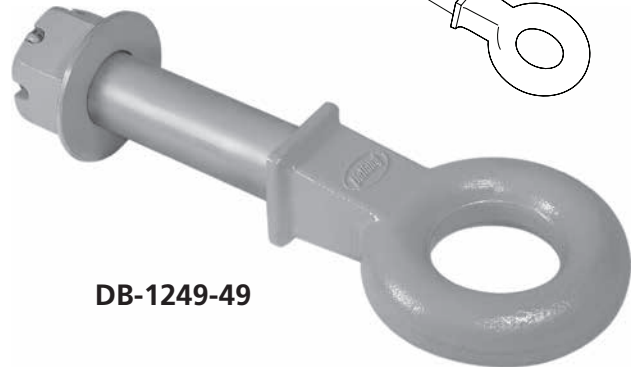
DB-1249-49 Bolt-On

- Forged, one-piece steel alloy drawbar
- Heat treated for strength
- I.D. of eye is induction hardened for wear resistance
- Tested in accordance with SAE J847

Replacement Parts



DB-610-30



DB-1249-49

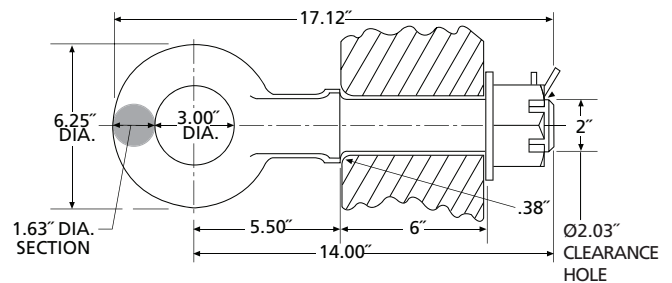
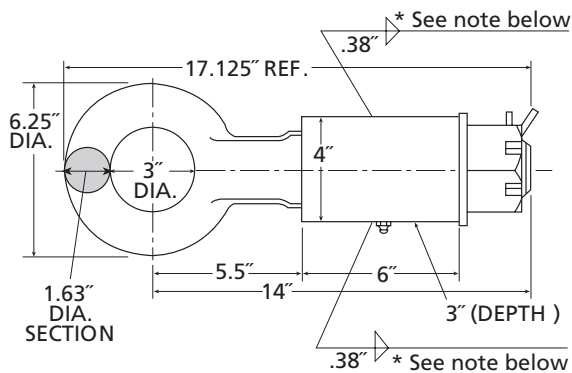
		Rigid Tongue Trailers		Hinged Tongue Trailers		Weight	
		lb.	kg	500 lb. Max. Vert. Load			
Capacities		lb.	kg	lb.	kg	lb.	kg
DB-610-30 Assembly 3" (76.2mm) Eye	GTW	45,000	20,412	85,000	38,556	36	16.3
	VERTICAL	9,000	4,082	500	227		
DB-1249-49 Drawbar 3" (76.2mm) Eye	GTW	45,000	20,412	85,000	38,556	24	10.9
	VERTICAL	9,000	4,082	500	227		

Additional Information

- For off-road* applications, reduce the published capacities by 25% and use with a rigid-mount coupling.
- For additional specifications, refer to document XL-DB109 or XL-DB106.

* See definition on page 71

Mounting Dimensions



***NOTE:** Minimum of 24 linear inches of .38" fillet weld required to develop rated capacity.

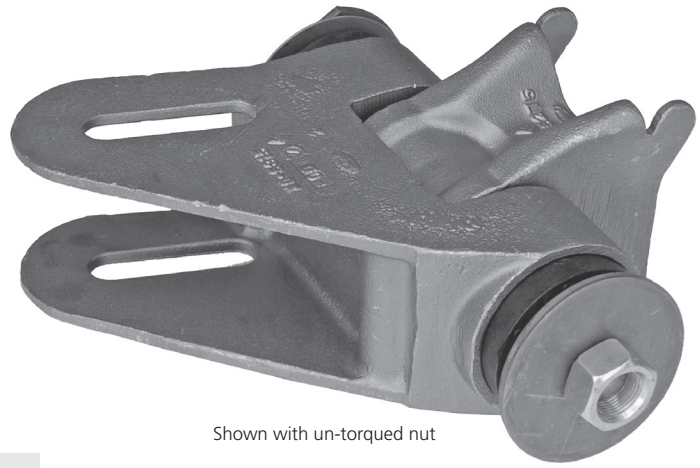
NOTE: The mounting surface must have an adequate chamfer, as shown above, so that the drawbar mounts flush with the mounting surface.

Drawbar Hinge Bracket / Frame Bracket / Equalizer Bushing Assembly

The HOLLAND Drawbar Hinge Assembly provides a simple, proven hinge design for heavy-duty trailers and converter dollies.

The Drawbar Hinge Assembly is used in pairs to provide a 2-point hinge for vertically articulated 'A' frame drawbars used in heavy-duty trailer and dolly applications. The weld-on, cast carbon steel alloy Frame Bracket and Hinge Bracket are sold separately. The brackets feature a symmetrical design which allows installation in either the left-hand or right-hand hinge positions. An Equalizer Bushing Assembly completes the hinge connection between the installed brackets.

Carbon steel alloy castings.



Shown with un-torqued nut

Capacity (Pair)

100,000 lbs. (45,360 kg) Maximum Gross Trailer Weight

Complete Assembly Weight (pair): 70.4 lbs. (31.9 kg)

XD-5315 Hinge Bracket

Accepts

3" (76mm) square tubing or standard channel
3" x 4" (76mm x 102mm) rectangular tubing or standard channel

Weight

15.7 lbs. (7.1 kg)

XD-5275 Frame Bracket

Accepts

4" (102mm) square or rectangular tubing or standard channel

Weight

7.5 lbs. (3.4 kg)

RK-1024 Equalizer Bushing Assembly (Rubber)

Bushings

Rubber

Weight

12 lbs. (5.4 kg)

RK-13041 Equalizer Bushing Assembly (Poly)

Bushings

Polyurethane

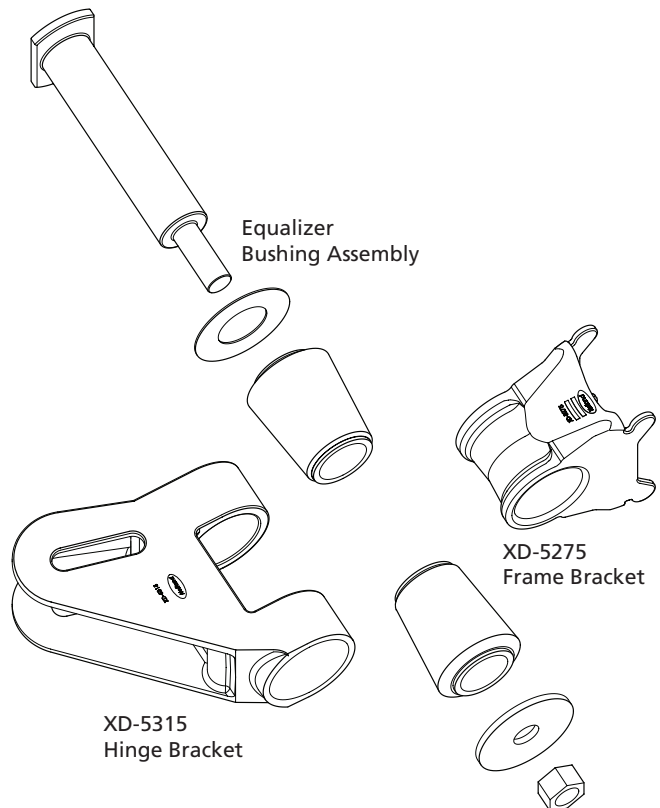
Weight

11.7 lbs. (5.3 kg)

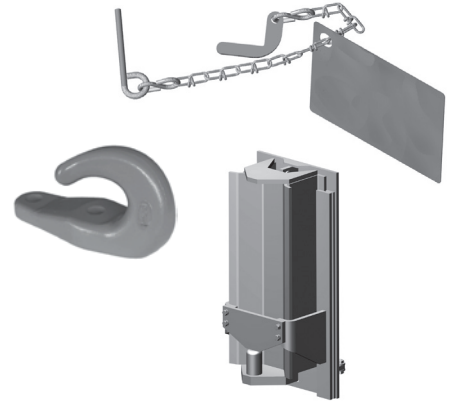
Additional Information

- For off-road* applications, reduce the above maximum capacities by 25%.

* See definition on page 71



COUPLING ACCESSORIES



- Drawbar Guides
- Pintle Hook Wear Gages
- Drawbar Wear Gages
- Plunger Adjustment Gages
- Tow Hooks
- Dolly Spotter

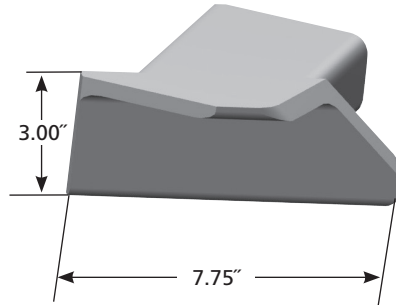


Drawbar Guides: XA-02556 (left) and XA-02555 (right)

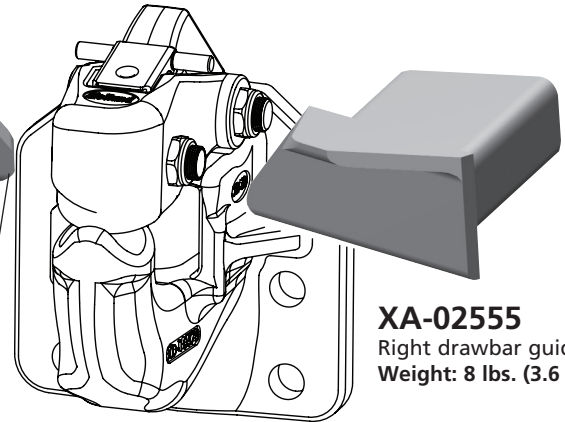
Application

Used in conjunction with PH-210, PH-300(R), PH-310, PH-400(H), PH-410, PH-419 and PH-550 Series pintle hooks to simplify the coupling procedure by guiding the drawbar into the pintle hook throat.

For installation instructions, refer to document number XL-PH353.



XA-02556
Left drawbar guide
Weight: 8 lbs. (3.6 kg)



XA-02555
Right drawbar guide
Weight: 8 lbs. (3.6 kg)

TH-10050-3 and TH-10050-5

Application

Super strong and tough, these tow hooks are designed to be used in pairs for tow cable or chain attachment. The tow hooks are designed for emergency towing only. Forges steel alloy tow hooks are heat treated and angled configuration.



TH-10050-3L (left) and -3R (right)

Use (2) 3/4" Grade 8 bolts

TH-10050-5L (left) and -5R (right)

Use (2) 20mm Grade 8 bolts

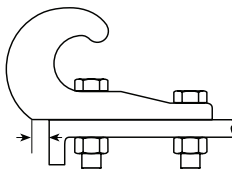
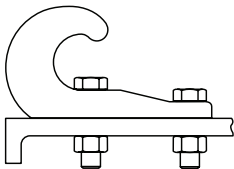
Full Face Mount* rating: 45,000 lbs. (20,410 kg)

Full Cantilevered Mount** rating: 33,000 lbs. (14,970 kg)

Weight: 4.6 lbs. (2.1 kg) each

*Full Face Mount

**Full Cantilevered Mount

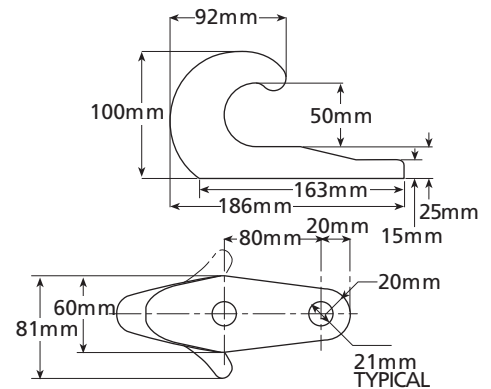


Additional Information

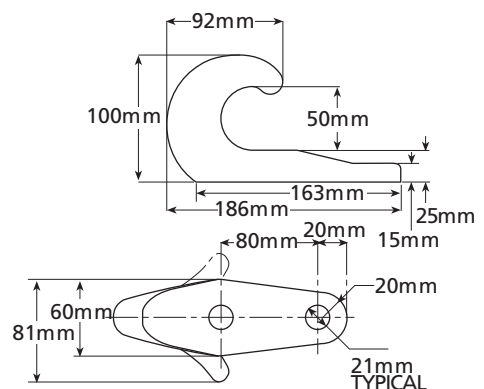
- For more product specific mounting information and operating instructions, refer to document number XL-PH-310.

Mounting Dimensions

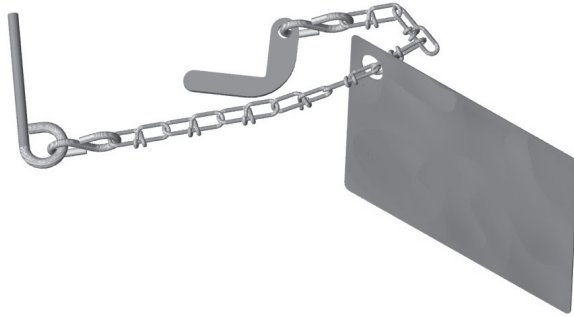
TH-10050-3L, -3R



TH-10050-5L, -5R



Pintle Hook Wear Gages

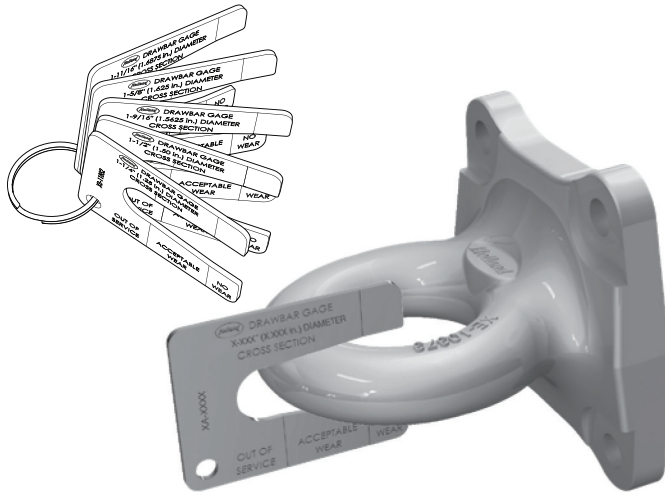


PINTLE HOOK	WEAR GAGE
PH-550	TF-10520
PH-760, PH-775 (including NoLube™ models)	TF-10521
PH-T-AOL-8, PH-T-60-AOS-L-8	TF-10522
PH-T-90-A, PH-T-126-A	TF-10523
PH-300, PH-300-R, PH-400, PH-400-H	TF-10612
PH-10RP with Frame Numbers XD-11047 and XE-10635, PH-30RP, PH-30SA, PH-30SB	TF-10960

Wear Gages are not available for the following HOLLAND pintle hook models:

BH-200RN	PH-210
BH-50mmRN	PH-310
PH-10RP with Frame Number XB-11047-10	PH-410
	PH-419

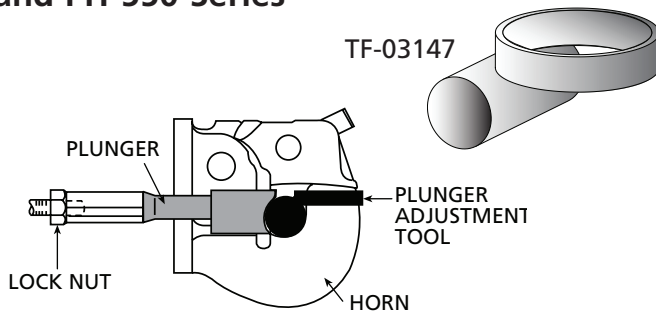
Drawbar Gages



DRAWBAR WEAR GAGES		
DESCRIPTION	PART NUMBER	QTY.
Split Ring, 2"	XB-11888	1
Gage, 1-1/4" Drawbar Wear	TF-11882	1
Gage, 1-1/2" Drawbar Wear	TF-11883	1
Gage, 1-9/16" Drawbar Wear	TF-11884	1
Gage, 1-5/8" Drawbar Wear	TF-11885	1
Gage, 1-11/16" Drawbar Wear	TF-11886	1
Drawbar Wear Gage Set	TF-11887	1

Plunger Adjustment Gages

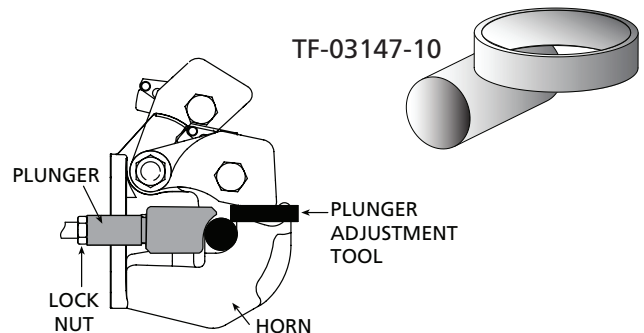
PH-200, PH-300, PH-400, PH-400-H and PH-550 Series



Product Information

- For more product specific mounting information and operating instructions, refer to document number XL-PH304.

PH-210, PH-310 and PH-410 Series



- Not available for PH-419

TF-675 and TF-675-1 Dolly Master™

Application

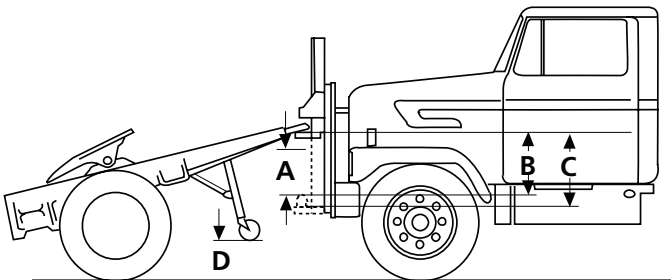
The Dolly Master is a fast and economical way to spot converter dollies in the yard. The Dolly Master is an air-operated, all steel, truck-mounted system featuring a vertical slide with 1.75" coupling pin. A double-acting air cylinder, using the trucks air supply, moves the slide up and down. The pneumatic control switch is located inside the cab for driver convenience.

Note: Dolly Master is not intended for use in trailer coupling or trailer spotting.

Operation

Align the coupling pin under the drawbar eye. Move the in-cab switch to 'UP'. The pin lifts the drawbar until the pin contacts the stop bar. This securely holds the drawbar eye during spotting.

Once the dolly is spotted, simply move the in-cab switch to "DOWN". The pin lowers the drawbar and, once lowered, disengages with the drawbar eye.

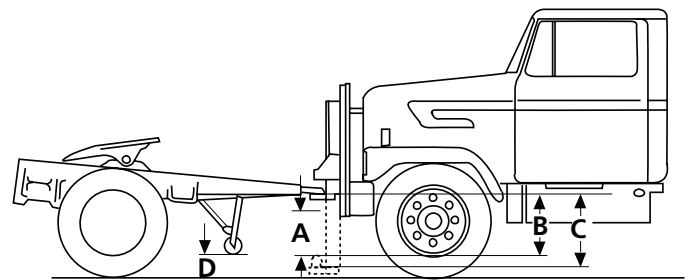


TF-675

- A** Maximum drawbar elevation range: 9"
- B** 12" usable stroke
- C** 14.75" total stroke
- D** Provide adequate clearance

Capacities

390 lbs. (177 kg) Maximum Lift @ 80 psi
 15,000 lbs. (6,800 kg) Maximum DBP



TF-675-1

- A** Maximum drawbar elevation range: 9"
- B** 12" usable stroke
- C** 15.25" total stroke
- D** Provide adequate clearance

Capacities

390 lbs. (177 kg) Maximum Lift @ 80 psi
 15,000 lbs. (6,800 kg) Maximum DBP

TF-675 and TF-675-1 Dolly Master™

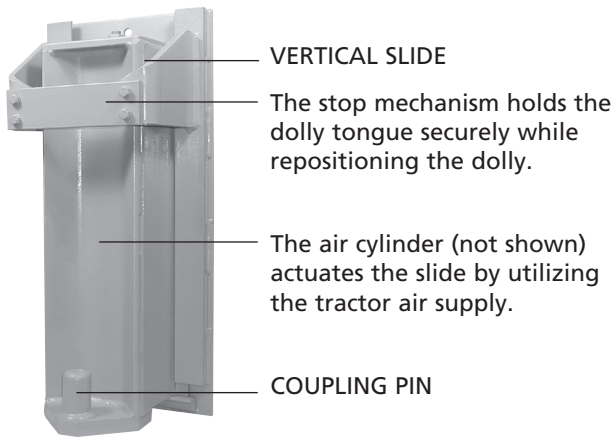
The Dolly Master can be bolted or welded to the tow vehicle.

It has few moving parts so it's easy to maintain.

Up/Down cab control allows the driver to secure and release the dolly from within the cab.

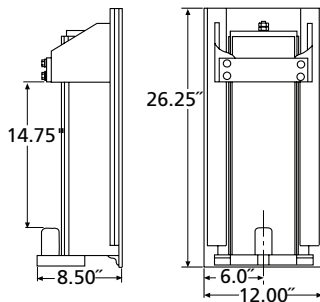
To order Dolly Master without in-cab control valve and face plate, order part numbers TF-675-A or TF-675-1A.

TF-675 - Lift From Bumper Height

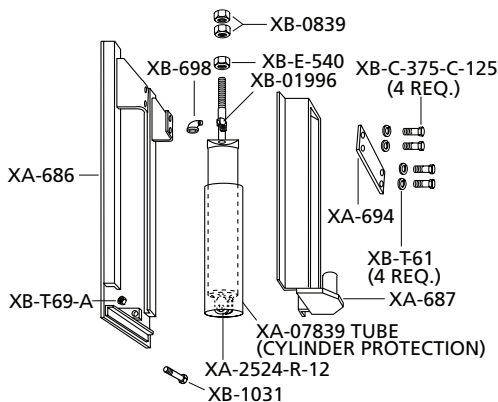


Weight: 136 lbs. (61.7 kg)

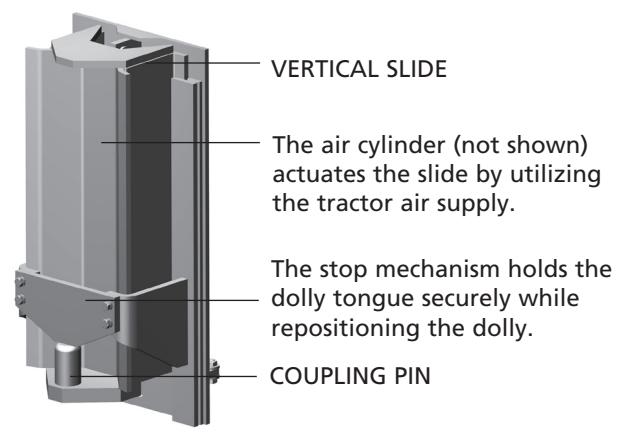
TF-675 Mounting Dimensions



Replacements Parts

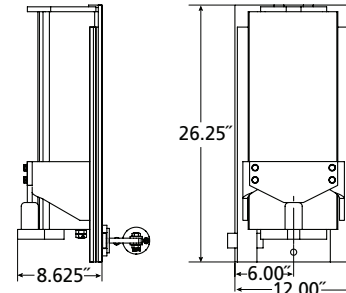


TF-675-1 - Lift From Ground Height

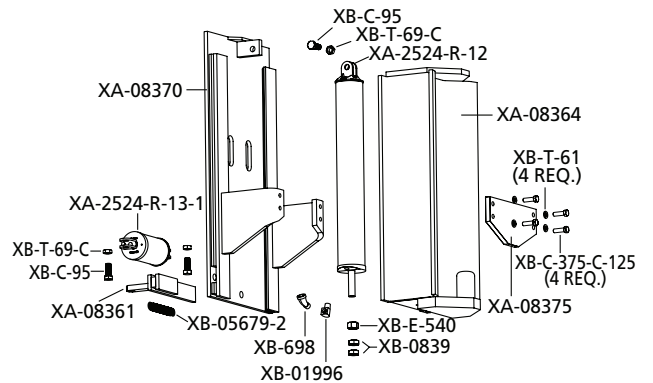


Weight: 156 lbs. (70.8 kg)

TF-675-1 Mounting Dimensions



Replacements Parts



Additional Information

- For more product specific mounting information and operating instructions, refer to document number XL-PH-240-01 for TF-675, or document number XL-PH388 for TF-675-1



WE'LL
HELP YOU
GET IT
RIGHT

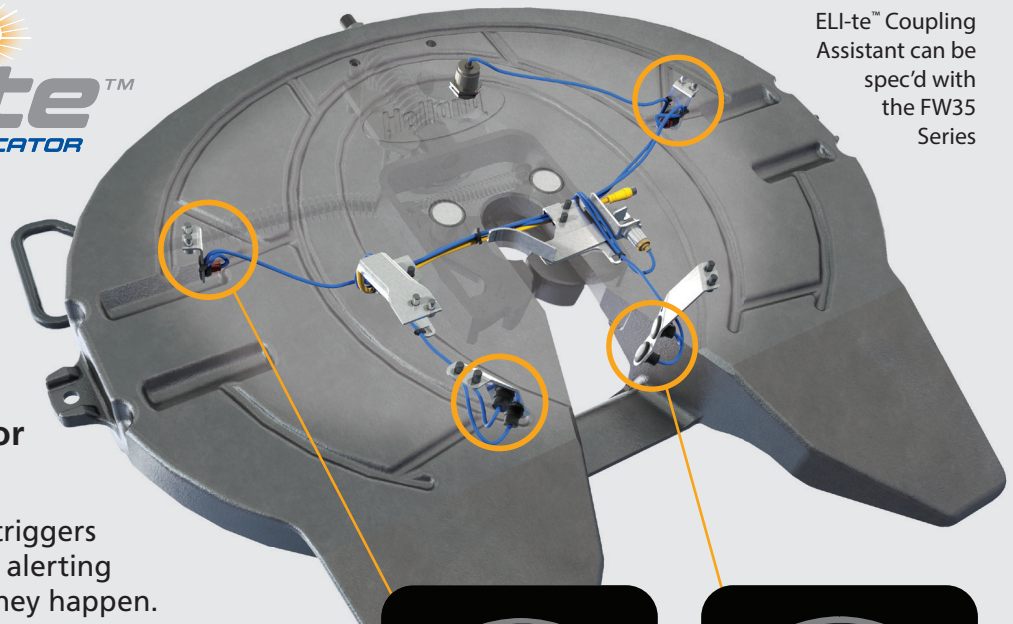


SAF-HOLLAND
introduces the
ELI-te™ fifth wheel
coupling assistant.

Technology Enhanced for
Safety Minded Fleets

- A failed coupling attempt triggers flashing red warning lights alerting drivers to hazards before they happen.
- A successful coupling turns on high-intensity inspection lamps in the fifth wheel throat making lock inspection easier and more reliable.

The HOLLAND ELI-te™ fifth wheel coupling assistant will help drivers GET IT RIGHT.



ELI-te™ Coupling Assistant can be spec'd with the FW35 Series



FAILED MODE
Red Flashing Warning Lights



SUCCESS MODE
Bright Lock Inspection Lights

Follow us on

www.safholland.us 800.876.3929



© 2023 SAF-HOLLAND, Inc. All rights reserved.





REFERENCE

SECTIONS

- Safety Information
- Warranty
- Coupling System Selection
- Operating Conditions
- Cushioning Systems
- Mounting Information
- Glossary

General Safety Information

Introduction

In the following section of this catalog, you will notice the terms "IMPORTANT" and "WARNING" followed by important product information. Those terms are described as follows:

IMPORTANT: Included additional information that if not followed could lead to hindered product performance.

WARNING Indicates a potentially hazardous situation which, if not avoided, could result in death or serious injury.

General Safety Information

In the safety information below, you will notice the term 'WARNING' which indicates a potentially hazardous situation which, if not avoided, could result in death or serious injury.

1. Always read the Product Specification Sheet or Owner's Manual associated with each product before installation or use of the product. These manuals are shipped with each product or can be obtained from the SAF-HOLLAND website at www.safholland.us.
2. Do not modify or add to these products.
3. Never exceed the manufacturer's rated capacities of a coupling device, including Maximum Gross Trailer Weight and Maximum Vertical Load.
4. For over-the-road applications, SAF-HOLLAND recommends that a coupling device be equipped with both a primary and secondary lock.
5. For off road applications or vehicle operation over rough terrain, use a 1) swivel-mount coupling device with a rigid-mount drawbar, or 2) a rigid-mount coupling device with a swivel-mount drawbar. Never use a swivel-mount coupling device with a swivel-mount drawbar.
6. For rigid tongue trailers towed with ball, pintle hook or coupler style coupling devices, most hitch and trailer manufacturers recommend a vertical (tongue) load of 10% - 15% of the gross trailer weight (GTW). Do not tow a trailer that has a negative vertical load.

IMPORTANT: Do not weld on these products, except as specified by SAF-HOLLAND for welded installation.

WARNING Weld repairs to repair a broken part or to build-up a worn surface are strictly forbidden. Such weld repairs could locally alter the chemistry and heat treatment of the metal, alter the strength of the coupling device, or create a stress concentration that could result in structural failure resulting in death or serious injury.

8. Prior to use, always inspect a coupling device for excessive wear, cracks, bent or deformed components, secure mounting, and damaged or missing parts. Immediately inspect a coupling device which has been subjected to overload or binding due to jackknifing or excessive articulation.

WARNING Failure to inspect a coupling device prior to use could result in vehicle and trailer separation which, if not avoided, could result in death or serious injury.

9. Never strike any part of a coupling product with a hammer or other tool as parts could break.
10. Mounting bolts must be long enough to provide a minimum of two (2) full threads beyond the end of the nut. Always use new ASTM Grade 8 bolts with ASTM Grade C lock nuts with hardened steel washers for installation and mounting. Torque to manufacturer's specifications and do not over-torque.

WARNING Failure to use a long enough bolt or proper fastener type for mounting could result in vehicle and trailer separation which, if not avoided, could result in death or serious injury.

11. Verify that the drawbar size is compatible with the coupling device of the tow vehicle. Refer to the 'Drawbar Compatibility Chart' located in this catalog.
12. Verify that a pintle hook latch closes and locks completely prior to use.

WARNING Failure to correctly close and lock a pintle hook latch can result in vehicle and trailer separation which, if not avoided, could result in death or serious injury.

13. Check the pintle hook latch gap, which is the space between a closed latch and the top of the pintle hook horn. If the latch gap is 0.38" (9.5mm) or larger, do not use the pintle hook.
14. Do not over-articulate a coupling connection by jackknifing or binding during vehicle operations.

WARNING Failure to avoid over-articulation of a coupling connection due to jackknifing or binding could result in failure of the coupling device(s) which, if not avoided, could result in death or serious injury.

15. Do not apply grease or other lubricants to the hook of the coupling device or drawbar eye which may trap abrasive sand and dirt which can accelerate wear in the coupling connection. Additionally, grease or other lubricants can hide cracks or damage present in coupling components.
16. Follow inspection and maintenance guidelines listed in the Product Specification Sheet or Owner's Manual available from the coupling manufacturer.



17. Always use SAF-HOLLAND Original Parts for repair.

⚠ WARNING

Installation and use of non original SAF-HOLLAND parts could result in failure of the coupling device(s) which, if not avoided, could result in death or serious injury.

SAF-HOLLAND recommends that trailer and dolly manufacturers, distributors, and users be familiar with applicable national, state and local regulations governing coupling systems and safety devices such as safety chains.

Within the United States, the following is a partial list of sources for regulations and information pertaining to trailer towing:

- National Highway Traffic Safety Administration (NHTSA) – Federal Motor Carrier Safety Standards and Regulations
- National Association of Trailer Manufacturers (NATM)
- Trailer Safety Industry Coalition (TSIC)
- Society of Automotive Engineers (SAE) Design and Test Standards
- American Trucking Association (ATA) – Technology & Maintenance Council (TMC) Recommended Practices
- Truck Trailer Manufacturers Association (TTMA)

Recommended coupling and uncoupling procedures are also available from several of the above listed sources.

Warranty

Products in this catalog are covered by SAF-HOLLAND's Commercial Warranty for Coupling Products. For North America, this is a two-year parts and labor warranty. For other countries or regions, refer to the appropriate coupling products warranty available on our website.

Coupling System Selection

Gross Trailer Weight (GTW)

GTW is the weight of an empty trailer plus the weight of its maximum payload. This is shown as Gross Vehicle Weight Rating (GVWR) as specified by the trailer manufacturer and is shown on the manufacturer's identification label located on the trailer. If the label is missing or unreadable, contact the trailer manufacturer for GVWR information.

Always use the GVWR as supplied by the trailer manufacturer as the 'minimum' gross trailer weight that the coupling system is to be selected for.

If various size trailers will be towed, the trailer with the largest GVWR must be used to determine the capacity requirements of the coupling device.

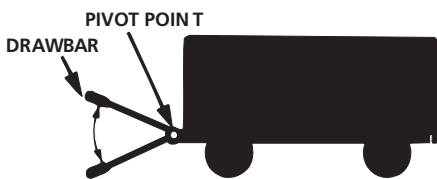
If a tow vehicle will pull multiple trailers at the same time, as with doubles, triples and road trains, the sum of the GVWRs for all towed trailers must be used to determine the capacity requirements of the coupling device.

Maximum Vertical Load

Vertical load is the upward force exerted on the drawbar eye of the trailer and the downward force exerted on the coupling device of the tow vehicle.

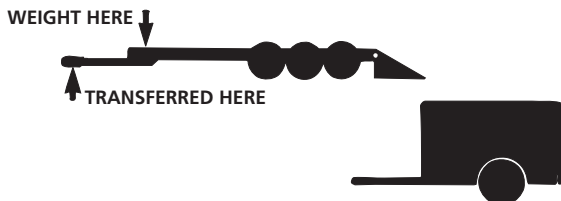
Hinged Tongue Trailer

The tongue is hinged to the trailer so that the tongue will not transfer the vertical weight of the trailer or payload to the coupling devices. The vertical load imposed on a coupling device by a hinged tongue trailer is approximately one-half of the weight of the hinged tongue/drawbar assembly only. Where vertical load on the coupling device is limited due to a hinged tongue, the maximum gross trailer weight rating for the drawbar/eye may be increased (see drawbar product pages for specific ratings).



Rigid Tongue Trailer

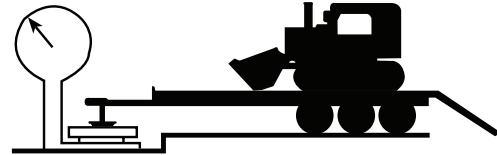
The tongue and trailer form a single rigid unit so that the vertical load measured at the drawbar eye includes the weight of the trailer and its payload. The vertical load is generally recommended to be a minimum of 10% - 15% of the maximum gross trailer weight.



The type of load, density of the load, and placement of the load in relation to the trailer axles will have a significant effect on the vertical load at the trailer tongue. Excessive vertical loads, approaching 20% of gross trailer weight, can result in accelerated wear and over-loading of the coupling devices.

Payload Changes Vertical Load

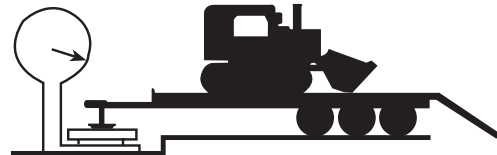
1,000 POUNDS



4,000 POUNDS



8,000 POUNDS



Drawbar Compatibility

The size of the drawbar eye (lunette) must be compatible with the coupling device of the tow vehicle. This includes the inside diameter (I.D.) of the eye and the cross-section dimension(s) of the eye. Proper eye selection will allow for adequate clearance between the eye and its mating component to help prevent binding between coupling components. If a trailer is to be pulled by more than one tow vehicle, compatibility should be checked with the coupling devices of each tow vehicle.

Over-The-Road Locking Systems

SAF-HOLLAND recommends that all couplers and pintle hooks used in over-the-road applications be equipped with both a primary lock and secondary lock. Holland FastLatch™ incorporates both the primary and secondary locks into a single integrated latch system.

Operating Conditions

Off-Road / Rough Terrain Applications

Reduction in Rated Capacities

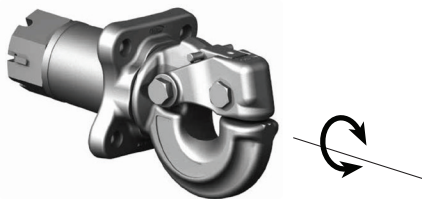
For off-road and rough terrain applications, the rated capacities (MGTW and Maximum Vertical Load) of the coupling devices for both the tow and towed vehicles should be reduced by a minimum of 25% to accommodate the increase in dynamic loading.

Example – A pintle hook rated at 100,000 lbs. (45,360 kg) MGTW and 20,000 lbs. (9,070 kg) maximum vertical load would, for off-road applications, be rated at 75,000 lbs. (34,020 kg) MGTW and 15,000 lbs. (6,800 kg) Maximum Vertical Load.

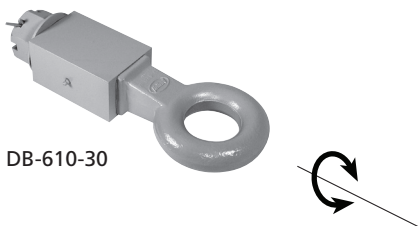
Articulation

Maximizing the range of articulation between the drawbar eye of the trailer and the coupling device of the tow vehicle is critical for good off-road performance. Holland pintle hooks are designed for maximum articulation with Holland drawbars. Other considerations include:

- A swivel-mount coupler/pintle hook or swivel-mount drawbar can further enhance articulation in off-road applications. The swivel-mount feature provides rotation to help prevent binding between the drawbar eye, coupler or pintle hook. Note however that you should never use a swivel-mount coupler/pintle hook with a swivel-mount drawbar. The two swivel-mount components could lead to over-rotation of the coupling device.
- It is important to coordinate the size of the drawbar eye with the mating component of the coupler or pintle hook. Proper sizing will allow for optimum articulation of the coupling system when driving over uneven terrain. Reference Drawbar Compatibility Chart on pages 42 – 43 for assistance in the selection process.



PH-775SL11 NoLube™



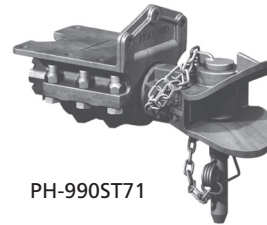
DB-610-30

Cushioning Systems

Holland cushioning (shock absorption) systems include:

- **Rubber Mount**

Absorbs shock loads from hard coupling, vehicle launch and braking (reference Holland products PH-990, DB-1407-S, and DB-1407-SE).



PH-990ST71



DB-1407-S

- **Steel Spring**

Absorbs shock loads during vehicle launch and acceleration (reference Holland products PH-30SA and PH-30SB).



PH-30SA41

- **Pneumatic Snubber**

For vehicles equipped with air systems, a snubber with force supplied by an air service chamber helps to minimize 'free play' or 'slack' between the drawbar eye and coupling device as well as absorbing shock loads during deceleration and braking (Reference Holland products PH-210, PH-300(R), PH-310, PH-400(H), PH-410, PH-419, PH-550, and DB-1400AC).



PH-210



DB-1400AC

Mounting Information

Mounting Information

Mounting Height

When mounting a coupling device, a height should be selected that results in the chassis of the towed vehicle being close to level with the ground. An offset in mounting height will create vertical and horizontal displacement of the drawbar in relation to the mating component of the coupling device. This mismatch in height will lead to accelerated wear and changes in vehicle handling.

Improper Mounting Height

(causing excessive vertical and horizontal movement)



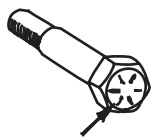
Mounting Surface

The mounting surface for a coupling device must be flat and of adequate strength to support the rated capacity of the coupling device. It must have sufficient vertical load and horizontal load capability to comply with the requirements of SAE J847.

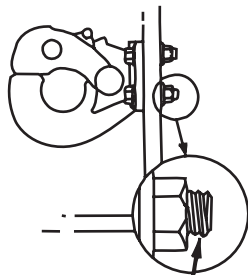
Mounting Hardware

All mounting hardware must be new ASTM Grade 8 bolts with hardened steel washers and ASTM Grade C locknuts. Bolts should be of sufficient length to provide a minimum of two (2) full threads beyond the end of the nut under recommended torque.

Proper Fastener Selection



Bolt head designation for Grade 8 is 6 equally spaced bars as show.



A minimum of 2 full threads must be exposed after proper torquing.

To develop the full rated capacity of a coupling device, all required mounting fasteners must be present with proper and equal torque applied to each fastener. Torque values and procedures should follow SAE J429 and are stated in the Owner's Manual shipped with each Holland coupling product. This information is also available online at the SAF-HOLLAND website.

ASTM

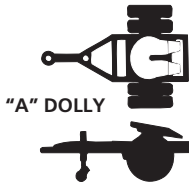
American Society for Testing and Materials

Converter Dolly / Dolly

An auxiliary axle chassis consisting of a frame with single or tandem axles, suspension, fifth wheel, and tongue with drawbar. A dolly is used to convert a semi-trailer into a full trailer.

'A' Dolly

A converter dolly with a single point of attachment to the towing vehicle; the point being located along the centerline of the dolly.



'C' Dolly or 'H' Dolly

A converter dolly with two points of attachment to the towing vehicle; the points being equally spaced along the centerline of the dolly.

Drawbar

The structural member of the trailer tongue that attaches the drawbar eye or lunette to the trailer tongue. Drawbars are typically bolt-on or weld-on and are available as rigid mount or swivel mount.

Drawbar Eye / Lunette

A round 'doughnut' shaped device used to couple a trailer tongue to a towing vehicle equipped with a coupling device such as a pintle hook or coupler.

Drawbar Pull (DBP)

Drawbar Pull is the pulling force that a tow vehicle (truck, tractor, tug, etc.) is capable of producing, measured at the coupling along the longitudinal axis of the tow vehicle and expressed as a net horizontal force in pounds or Newtons. It is the tractive effort of the tow vehicle on a specific driving surface, minus the force required to start, accelerate and maintain speed of the tow vehicle.

Full Trailer

A trailer equipped with two or more axles that support the entire weight of the trailer. Full trailers typically feature a hinged trailer tongue.

Gross Trailer Weight (GTW) / Maximum Gross Trailer Weight (MGTW)

The actual total weight measured at the ground of a fully loaded trailer or multiple coupled trailers. Maximum Gross Trailer Weight is the largest weight of both the trailer(s) and payload that can safely be towed by a coupling device.

Gross Vehicle Weight Rating (GVWR)

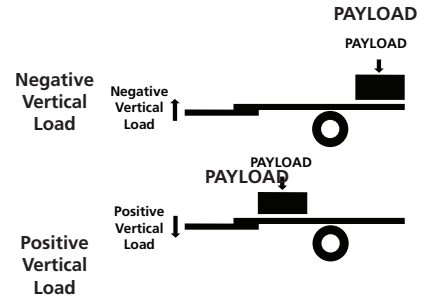
The value specified by the manufacturer as the loaded maximum weight of a single motor vehicle or trailer.

Jackknife

Over-articulation between the towing and towed vehicles (generally greater than 90 degrees) that results in binding at the coupling connection.

Negative Vertical Load

The load as an upward force measured at the drawbar located at the coupling end of the trailer tongue. A negative vertical load typically results from the payload being placed behind the trailer axle (see illustration).



Off-Road

Refers to terrain on which a tow/towed vehicle will operate that is ungraded, rough or undulating, with no maintained travel surface, generally considered to not be part of the public road system. Examples include agricultural fields, construction sites, utility right-of-way, temporary logging roads, and what is commonly referred to as 'two-track' roads.

Over-The-Road

Refers to terrain on which a tow/towed vehicle will operate that is paved or features a graded surface, generally considered to part of the public road system.

SAE

Society of Automotive Engineers

J429 - Mechanical and material requirements for externally threaded fasteners

J847 - Trailer towbar eye and pintle hook/coupler performance

Semi-trailer

A trailer, except pole trailer, so constructed that a substantial part of its weight rests upon or is carried by another vehicle or converter dolly.

Tare Weight / Unloaded Vehicle Weight (UVW)

The total weight of a vehicle at the ground, including normal fluids and equipment, in a condition to receive occupants and payload.

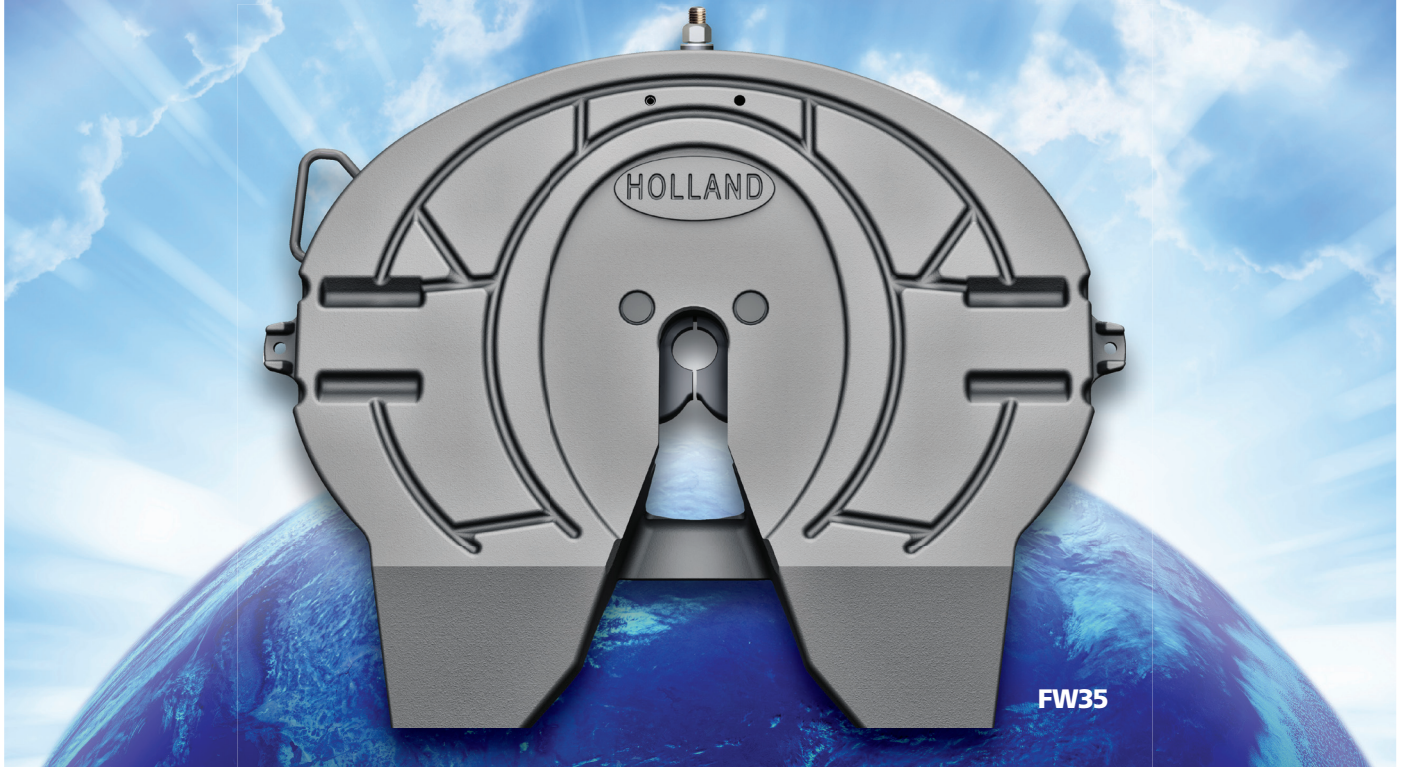
Trailer Tongue

The structural member of a trailer that connects to a towing vehicle.

Vertical Load / Maximum Vertical Load

The load or downward force measured at the drawbar located at the coupling end of the trailer tongue. Maximum Vertical Load is the manufacturer's recommended static vertical load (down) that can be safely applied to the coupling device.

UNMATCHED RELIABILITY



DOUBLE YOUR CONFIDENCE WITH THE TWINLOCK™ DESIGN!

FW35 Series—PROVEN PERFORMANCE for over 60 years

- Exclusive TwinLock™ design—forged steel, machined, and hardened into the most efficient symmetrical lock on the market
- With durable cast steel construction, the FW35 Series offers the most features and options for any application
- Industry's only Performance Guarantee of 6 years/600,000 miles

*Trust your fleet to the industry's proven
and trusted leader for over 100 years.*



www.safholland.us 888-396-6501



FW35 Series TwinLock™ design immediately captures the kingpin preventing impact bounce out for a quick and reliable couple.

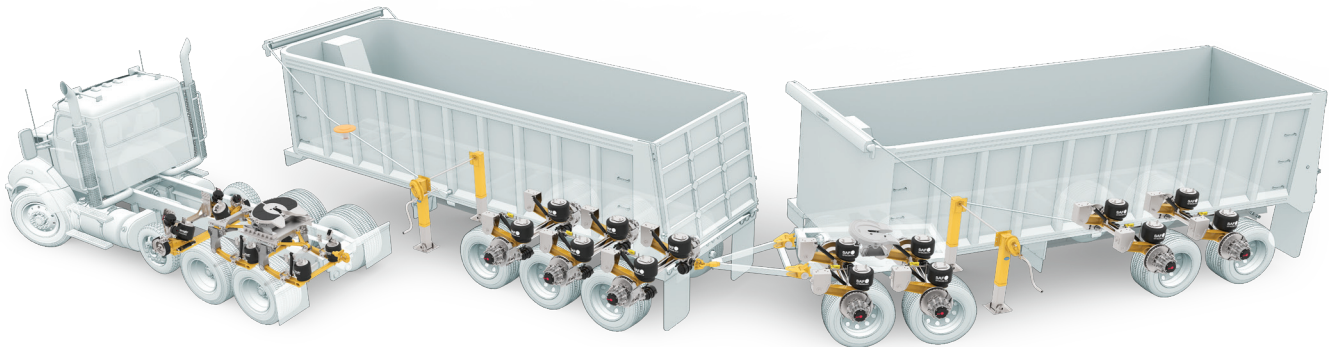
visit HOLLANDfifthwheels.com



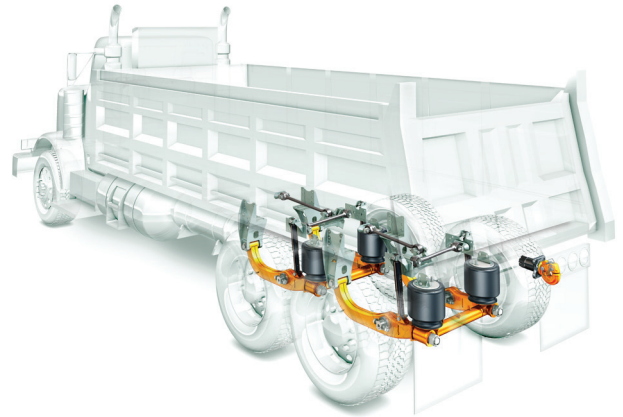
See the
TwinLock™
in Action!



YOUR COMPLETE SOURCE FOR HEAVY-DUTY VEHICLE PRODUCT SOLUTIONS



In 2006, two industrial icons merged to form SAF-HOLLAND, a global leader in the design and manufacture of high-quality components and systems for the commercial vehicle industry. Today, SAF-HOLLAND represents a range of brands providing suspension/axle systems, fifth wheels, kingpins, coupling products, landing gear and liftgate solutions for truck, tractor, bus, and trailer applications.



SAF-HOLLAND Group

- FIFTH WHEELS
- LANDING GEAR
- KINGPINS
- COUPLINGS



SAF-HOLLAND Group

- MECHANICAL SUSPENSION AXLE SYSTEMS
- TRAILER AXLES/BRAKES
- AIR-RIDE SUSPENSION/AXLE SYSTEMS
- KINGPINS



SAF-HOLLAND Group

- SEVERE-DUTY VOCATIONAL AIR-RIDE SUSPENSIONS
- BUS AIR-RIDE SUSPENSIONS
- STEER AIR-RIDE SUSPENSIONS



safholland.com

Engineering Your Road to Success

The SAF-HOLLAND® Group is one of the leading international manufacturers of suspension-related assemblies and components for trailers, trucks and buses. Our innovative products increase the efficiency, safety and environmental friendliness of commercial vehicles, contribute to the success of our customers. With around 5,500 employees worldwide, we are at the forefront of shaping the future of the transportation industry.



Trailer Axles and
Suspension Systems



Coupling and Lifting
Technologies



Brake Solutions and
Air Valve Technologies



Suspensions and Components
for Commercial Vehicles



Suspensions for
Trucks and Buses



Trailer
Telematics



Coupling and Lifting
Technologies



Trailer Axles and
Suspensions Systems

safholland.com

SAF-HOLLAND, Inc.

Tel 800.876.3929

SAF-HOLLAND Canada Limited

Tel 519.537.3494

Western Canada 604.574.7491

SAF-HOLLAND Mexico

Tel 52.55.5456.8641