



Flatbed Operation Products

Products Proven to Meet the Operational Demands for Flatbed Fleets



Product Solutions for Flatbed Fleet Operations



STANDARD DUTY FIFTH WHEELS WITH SLIDING OR STATIONARY MOUNTING SYSTEMS



WELD-ON AND REPLACEABLE KINGPINS



STANDARD OR HEAVY-DUTY LANDING GEARS



SWIVEL MOUNT, RIGID MOUNT PINTLE HOOKS AND DRAWBAR COUPLINGS



AIR-RIDE SUSPENSION AXLE SYSTEMS WITH P89 AIR DISC BRAKES



CALIPERS AND ACTUATORS



VOCATIONAL - HEAVY HAUL - HEAVY CONSTRUCTION



Fixed Frame Trailer Air Suspension Systems **CBXA AeroBeam™** Series

CBXA AeroBeam™ Series Lightweight Compact Design for Top Mount Models

CAPACITIES:

23,000 lbs. (10,433 kg)

25,000 lbs. (11,340 kg)

30,000 lbs. (13,608 kg)

- SwingAlign™ Axle Alignment System
- Optional P89 Air Disc Brake Series
- Optional SAF SC Dressed Drum Brake Series
- Optional PosiLift™ Axle Lift System



Featuring Haldex
Calipers and Actuators

CBXAN23 Top Mount
Shown with Optional
P89 Plus™ Air Disc Brake

Self-Steer Axle Model Available



For Multi-Axle Trailers
Accommodates Ontario SPIF Regulations



OPTIONAL POSILIFT™

Suspensions Available for Low Profile Trailers



CBXu Series
Underslung Suspension



CBXy Series Yoke Mount
Suspension (CBy for Small
Drum Brake Package)



OPTIONAL SC SERIES
DRESSED DRUM BRAKE

CBXA AeroBeam™ Series

SUSPENSION SYSTEM WEIGHTS (STANDARD BASE MODEL)	CBXAN23	CBXAS23	CBXAS25	CBXAS30
Undressed Drum Brake Axle (16.5" x 7" braked axle only – no slack adjusters or brake actuators)	469 lbs.	492 lbs.	524 lbs.	555 lbs.
SAF SC5 Dressed Drum Brake Axle (Includes steel hubs/drums, bearings, oil, slack adjusters and brake actuators)	858 lbs.*	881 lbs.*	913 lbs.*	942 lbs.*
P89 Disc Brake Axle	824 lbs.	847 lbs.	879 lbs.	908 lbs.

*Optional lightweight dressed drum brake wheel ends available - 68 lbs. lighter.

**BLACK ARMOUR®
IS STANDARD
WITH AEROBEAM**

ECO-FRIENDLY

**SUPERIOR CORROSION
PROTECTION**

For More Information See XL-AS20110SL-en-US

Optional P89 Series Air Disc Brakes

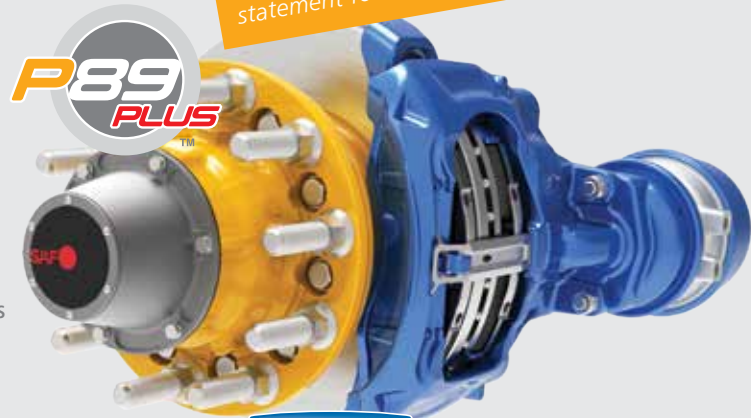
**INDUSTRY LEADING
AIR DISC BRAKE
WARRANTY**
See XL-AS11002WC warranty
statement for complete details.

Premium Performance Maintenance Free Design

Featuring the legendary INTEGRAL® rotor/hub and premium sealed bearings for reduced maintenance.

Featuring:

- INTEGRAL® rotor
- Premium brake chambers
- Robust parallel spindle
- 7-Year warranty (see warranty for complete details)
- Long-life sealed bearings
- Haldex calipers and actuators
- Premium spindle nuts



Haldex Featuring Haldex Calipers and Actuators

Proven Design Quality with Genuine Value

All the benefits you expect from the world's leading trailer axle disc brake supplier, at a price point that makes sense for commercial fleets of all sizes.

Featuring:

- Heavy-duty vented rotor
- Premium matched set bearings
- Standard 5-Year warranty (see warranty for complete details)
- Optional P89 PSP7 wheel end package 7-Year warranty (see warranty for complete details)
- Haldex caliper and actuators
- Parallel or taper spindle



Optional SAF SC7 Wheel End Package

Now available with dressed drum brake configuration, complete your CBX AeroBeam Suspension/Axle system with SAF SC7 wheel ends. Featuring 16½" x 7" extended life brake linings, heavy-duty pre-adjusted hub assembly, optimized bearing spacers, advanced long lasting seals and bearings, and an extended peace of mind 7-year warranty.



Optional SAF SC5 Wheel End Package

Now available with dressed drum brake configuration, complete your CBX AeroBeam Suspension/Axle system with SAF SC5 wheel ends. Featuring 16½" x 7" extended life brake linings, industry standard hub, long lasting seals and bearings, and a peace of mind 5-year warranty.

Optional Enhanced Tire Pressure Management System



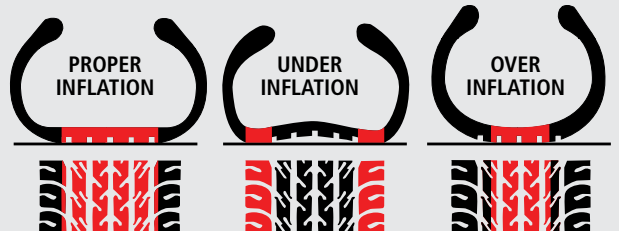
The Tire Pilot™ Plus system is now electronically controlled for enhanced fuel economy and tire life.

Optional Tire Pilot™ Plus not only controls pressure through inflation, but also maintains equal pressure across all wheels and features high pressure relief for overinflated tires. The robust design sets it apart from competitive designs with durable components.

- Automatically responds to small leaks caused by road hazards like nails and metal debris.
- System warning light alerts the driver ONLY when there is a need to immediately seek service.
- Diamond knurled hose connections at both hubcaps and tire valve ends allow installation and replacement without a wrench.
- The stainless steel air hose connections are ported through the sides of the hubcap and are protected between the integrated fins.
- High Pressure Relief feature maintains equal and proper pressure for all tires.
- Tire Pilot Plus can easily be specified on CBX and ULX Series suspensions, or is available as a simple retrofit on existing trailers.
- Can save over \$750 per year per trailer*.



Proper Air Pressure is Critical to Tire Life



Full Contact
optimizes traction, handling and maximizes tire life.

Outside Contact
accelerates irregular tread wear, increases rolling resistance, and reduces fuel efficiency by up to 2%.

Center Contact
Only reduces tire life and traction. Tire is susceptible to tread damage and punctures.

* TMC RP235 reports the following – Tires underinflated by 10% will wear 9% to 16% faster than properly inflated tires. Underinflated tires add roll resistance that can reduce fuel economy by as much 2%. The average fleet loses \$750 per trailer each year due to improperly inflated tires.

Flatbed Fifth Wheels

Standard-Duty Models with Exceptional Durability and Reliable Performance.



FW35 *the World's Most Versatile and Proven*

CAPACITY:

55,000 lbs. (25,000 kg) Max Vertical Load
150,000 lbs. (68,000 kg) Max Drawbar Pull

- Durable Cast Steel Top Plate
- Proven Lock System Design
- Stationary or Sliding Mount



FW33 *Versatility with Lowlube Technology*

CAPACITY:

55,000 lbs. (25,000 kg) Max Vertical Load
150,000 lbs. (68,000 kg) Max Drawbar Pull

- Reduces Lubrication Cost and Time
- Extends Maintenance Intervals
- Stationary or Sliding Mount



FWAL *the World's Lightest Weight Moderate-Duty with Low Lube Technology*

CAPACITY:

55,000 lbs. (25,000 kg) Max Vertical Load
150,000 lbs. (68,000 kg) Max Drawbar Pull

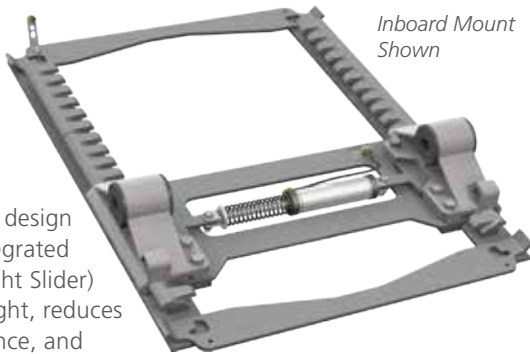
- Forged Aluminum Top Plate
- Reduces Lubrication Cost and Time
- Proven Swing Lock System Design
- Stationary or Sliding Mount

Stationary and Sliding Mounting Systems

For Flatbed Applications

ILS Sliding Mount

Enhanced design ILS™ (Integrated Low-Weight Slider) saves weight, reduces maintenance, and provides reliable fifth wheel repositioning for fleet requirements.

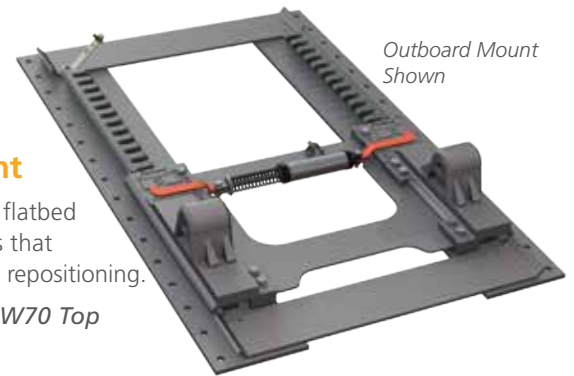


Inboard Mount Shown

Severe-Duty Sliding Mount

Robust design for flatbed trailer applications that require fifth wheel repositioning.

Available with FW70 Top Plate Only



Outboard Mount Shown

Kingpins

High Impact and Wear Resistant for Dependable Severe-Duty Service.

HOLLAND Kingpins Are Available In:

- Mushroom and Double-Spool Configurations
- A Variety of Upper Coupler Thicknesses
- Weld-On or Replaceable Designs



Specify The **MARK® V** For The Industry's Performance Leader



Durability for Robust Performance

Industry-Leading Standard Features

Heavy-Duty Gearbox

- Gearbox with low-temperature premium lube rated for service for -65°F to 225°F

Double-D Crank Handle Connection

- Shaft with double-D end means a stronger more stabilized cranking connection

Large 5 1/8" Square Upper Tube Housing

- Large size tube with radius corners provides maximum strength to meet heavy-duty application demands

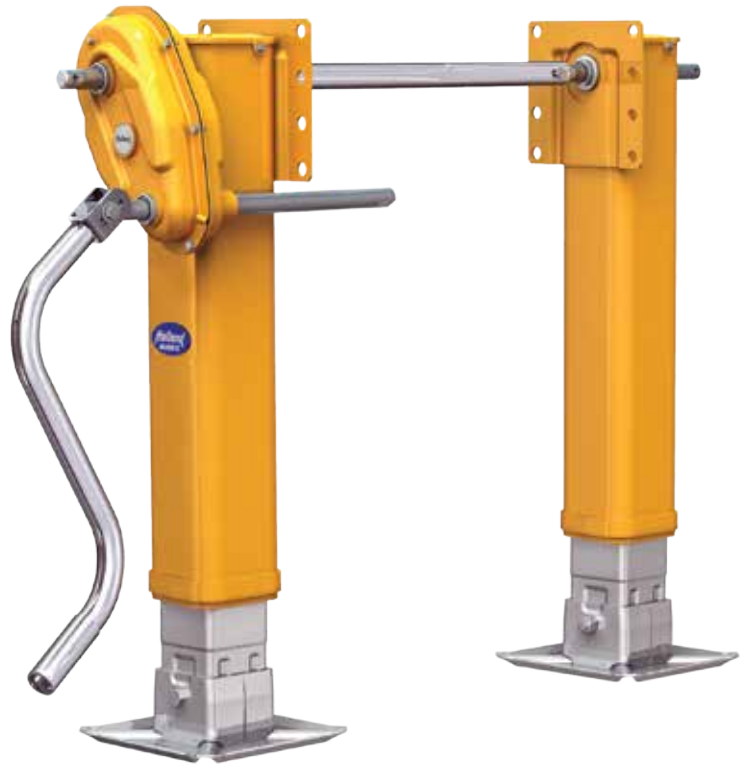
Heavy-duty One Piece Inner Tube

- One piece inner tube for maximum strength when the leg is in the extended position

Black Armour Metal Treatment



- Treatment process, unlike paint or powder coating, means the ultimate in corrosion protection with no rust creep



AVAILABLE FOR HEAVY DUTY OPERATIONS

MARK V HD

CAPACITY:

- 62,500 lbs. Lift Capacity (100 ft./lbs. Input Torque)
- 200,000 lbs. Load Capacity
- 46,000 lbs. Side Load Capacity



CAPACITIES:

- 62,500 lbs. Lift Capacity (100 ft./lbs. Input Torque)
- 200,000 lbs. Load Capacity
- 32,000 lbs. Side Load Capacity

GEARING:

- 2.5 Turns/Inch - High Gear
- 33.7 Turns/Inch - Low Gear

WEIGHT:

- 150 lbs. (17" Travel, RCF, MRL, Reverse Hafts)

NOTE: Weight measurements are less hardware.

All specified capacities are tested in accordance with AAR M-931.

Standard 5-Year Warranty or Premium 10-Year Warranty

HOLLAND MARK V models are available with standard or premium warranty options.

5-Year warranty covers defects in materials and workmanship.

10-Year warranty* covers defects in material and workmanship and comes standard with the NoLube™ feature, HD Bearing and RCF.

The 10-Year NoLube feature also reduces your maintenance bottom line and covers unexpected repairs and associated costs, unless the product is altered or damaged.

*After 10 years of operation, HOLLAND legs with the 10-Year NoLube feature, require routine greasing every 6 months.

OPTIONAL RCF FOOT AVAILABLE –

RCF technology simply transmits the shock from the entire load in compression from steel-to-rubber-to-steel. That means reduced wear and damage to the cargo, trailer, and landing gear.



Note: See warranties for details
For 5-year warranty see XL-LG20045WC
For Lifetime warranty see XL-LG11395WC

Engineering Your Road to Success

The SAF-HOLLAND® Group is one of the leading international manufacturers of suspension-related assemblies and components for trailers, trucks and buses. Our innovative products increase the efficiency, safety and environmental friendliness of commercial vehicles, contribute to the success of our customers. With around 3,000 employees worldwide, we are at the forefront of shaping the future of the transportation industry.



Trailer Axles and
Suspension Systems



Coupling and Lifting
Technologies



Brake Solutions &
Air Valve Technologies



Suspensions and Components
for Commercial Vehicles



Suspensions for
Trucks and Buses



Trailer
Telematics



Coupling and Lifting
Technologies



Trailer Axles and
Suspensions Systems

safholland.com

SAF-HOLLAND, Inc

Tel 800.876.3929

SAF-HOLLAND Canada Limited

Tel 519.537.3494

Western Canada 604.574.7491

SAF-HOLLAND Mexico

Tel 52.55.5456.8641