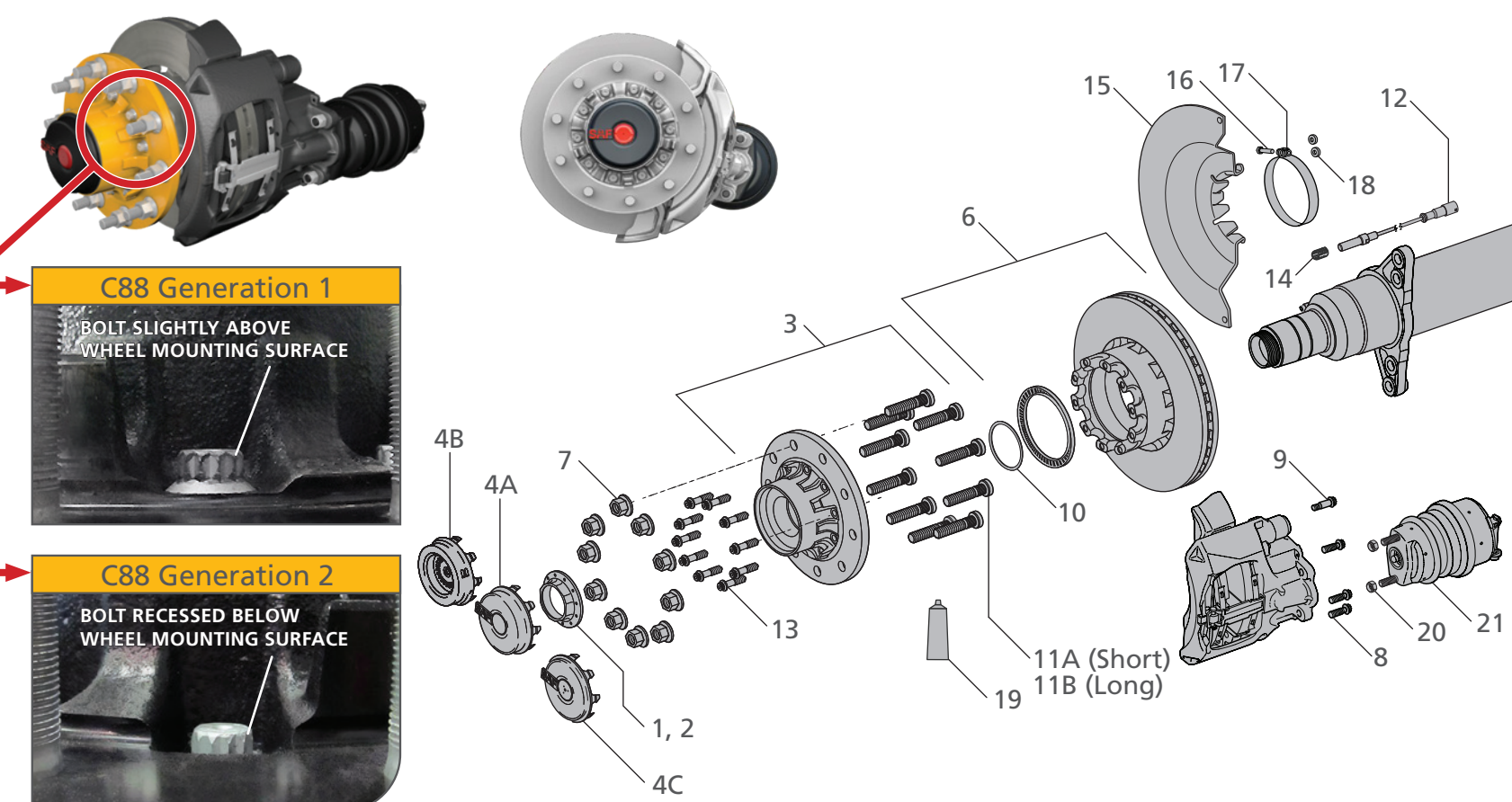




## C88 AIR DISC BRAKE

| KIT DESCRIPTION               | SRK NUMBER          | INCLUDES       |
|-------------------------------|---------------------|----------------|
| Rotor Replacement Kit         | 51830037            | 6, 10, 13, 19  |
| Disc Brake Repair Kit         | 03434366300         | 10, 13, 19     |
| WABCO ABS Kit                 | 03029024200         | 12, 14, 19     |
| Dust Shield                   | 1022300000040       | 15, 16, 17, 18 |
| Mounting Bolts, Brake Caliper | 03434366000         | 8, 9           |
| Long Wheel Bolt Kit (112mm)   | 2074200000190       | 7, 11B         |
| Short Wheel Bolt Kit (90mm)   | 2074200000180       | 7, 11A         |
| Brake Chamber Kit             | See Reference Guide | 20, 21         |

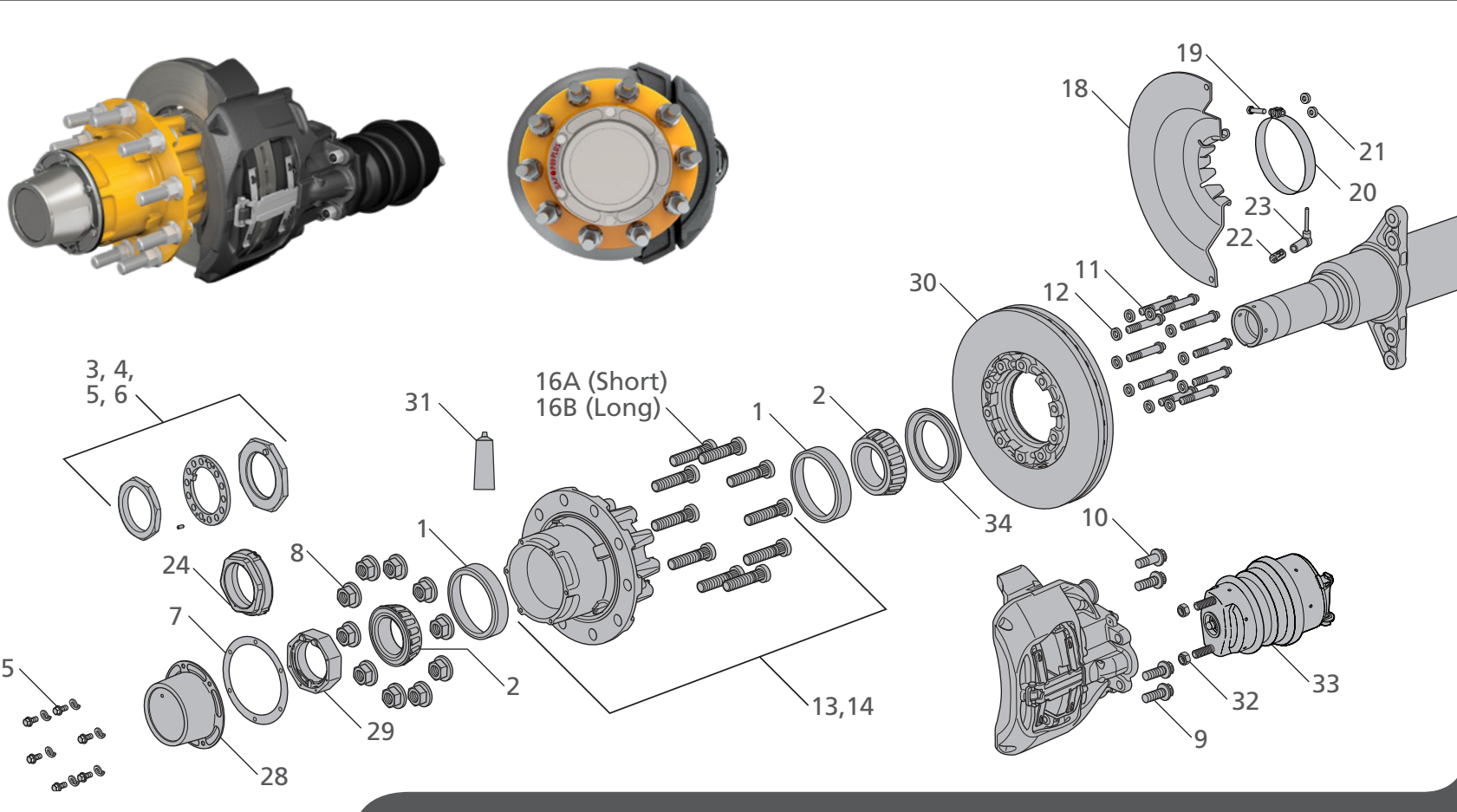
| ITEM | DESCRIPTION                    | PART NUMBER   | QTY/AXLE |
|------|--------------------------------|---------------|----------|
| 1    | Axle Nut - Left Hand           | 01011008500   | 1        |
| 2    | Axle Nut - Right Hand          | 01011008600   | 1        |
| 3    | Long Stud Hub Assembly Gen I   | 2073190000150 | 1        |
|      | Long Stud Hub Assembly Gen II  | 2073190000170 | 2        |
|      | Short Stud Hub Assembly Gen I  | 2073190000140 | 2        |
|      | Short Stud Hub Assembly Gen II | 2073190000160 | 2        |
| 4A   | Hub Cap                        | 03304010202   | 2        |
| 4B   | Hub Cap, Hub-Odometer          | 03304010302   | 1        |
| 4C   | Hub Cap, MTIS Prep             | 03304010901   | 2        |



## P89 INTEGRAL® AIR DISC BRAKE

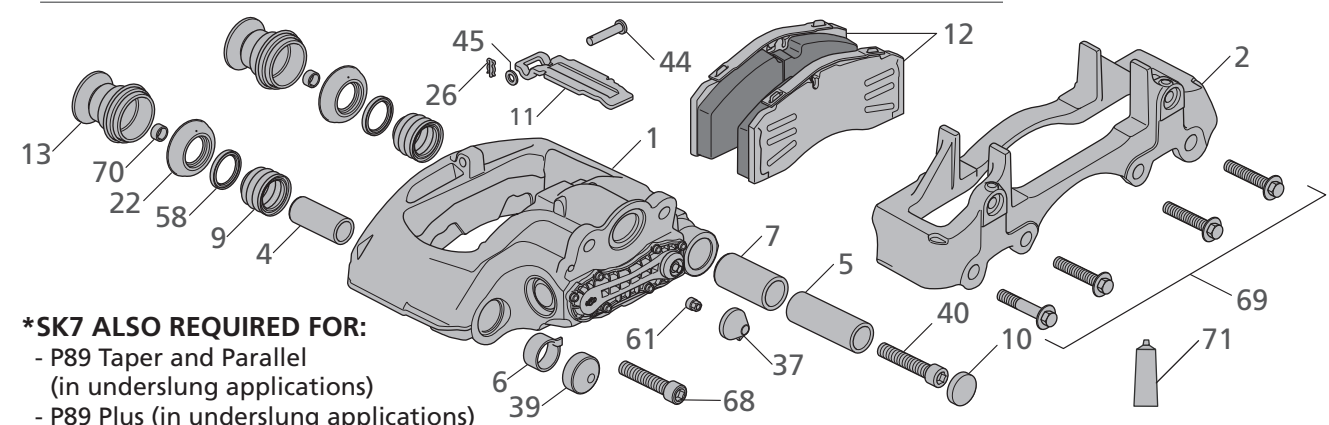
| KIT DESCRIPTION               | SRK NUMBER          | INCLUDES          |
|-------------------------------|---------------------|-------------------|
| Disc Brake Repair Kit         | 51830038            | 11, 12, 31, 34    |
| Rotor Replacement Kit         | 51830036            | 7, 11, 12, 30, 31 |
| Dust Shield Kit               | 1022300000040       | 18, 19, 20, 21    |
| Hub Cap Repair Kit Standard   | 2074200000210       | 7, 25, 28         |
| Mounting Bolts, Brake Caliper | 03434366000         | 9, 10             |
| ABS Sensor Kit                | 1022300000020       | 22, 23            |
| Long Wheel Bolt Kit (112mm)   | 2074200000190       | 8, 16B            |
| Short Wheel Bolt Kit (90mm)   | 2074200000180       | 8, 16A            |
| Brake Chamber Kit             | See Reference Guide | 32, 33            |

| ITEM | DESCRIPTION              | PART NUMBER   | QTY/AXLE |
|------|--------------------------|---------------|----------|
| 1    | Bearing Cup              | 01231000900Z  | 4        |
| 2    | Bearing Cone             | 04200102300Z  | 4        |
| 3    | Outer Axle Nut           | 01011009700Z  | 2        |
| 4    | Axle Lock Washer         | 01345004500Z  | 2        |
| 5    | Inner Axle Nut           | 01011009600Z  | 2        |
| 6    | Set Screw, 8-32 x .375   | 47044063      | 2        |
| 13   | Hub Assembly, Short Stud | 2073190000090 | 2        |
| 14   | Hub Assembly, Long Stud  | 2073190000100 | 2        |
| 24   | Zip-Torq Axle Nut        | 2008100000100 | 2        |
| 29   | Pro-Torq Axle Nut        | 01011009400Z  | 2        |



## SK7 CALIPER\* 51830039(LH) / 51830040(RH)

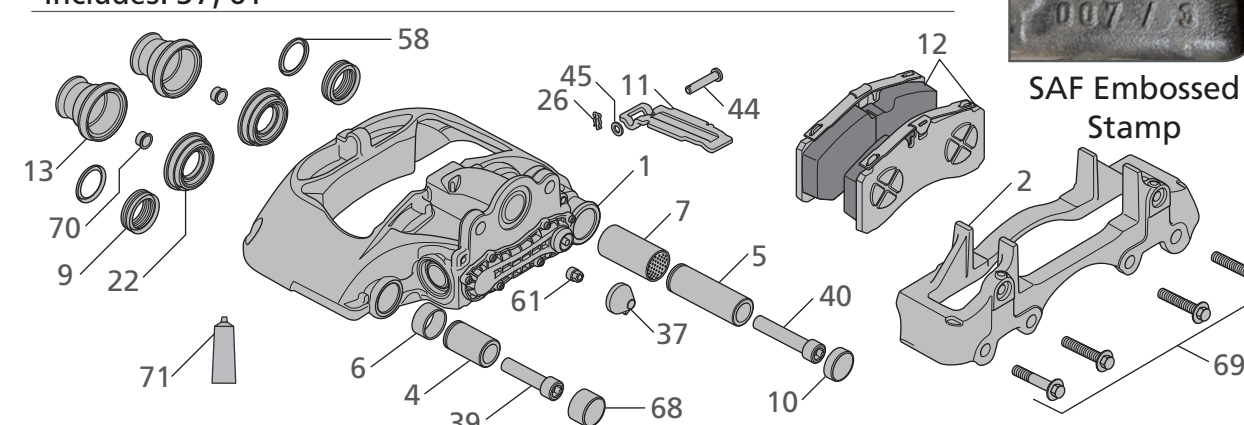
| SERVICE REPAIR KITS            | SRK NUMBER      |
|--------------------------------|-----------------|
| SK7 PAD KIT LH (LH/RH) Cu-FREE | SRK 03057008503 |
| DIAPHRAGM REBUILD KIT          | SRK 03434381400 |
| PIN REBUILD KIT                | SRK 03434381500 |
| SHEAR ADAPTER KIT              | SRK 03434381600 |



| ITEM | DESCRIPTION                    | ITEM | DESCRIPTION             |
|------|--------------------------------|------|-------------------------|
| 1    | SK7 Caliper                    | 26   | Spring, Cotter Pin      |
| 2    | Carrier                        | 37   | Cap                     |
| 4    | Guide Pin (Short)              | 39   | Caliper Bolt (Short)    |
| 5    | Guide Pin (Long)               | 40   | Caliper Bolt (Long)     |
| 6    | Rubber Bushing or Guide Sleeve | 44   | Bolt                    |
| 7    | Brass Bushing                  | 45   | Washer                  |
| 9    | Inner Boot                     | 58   | Ring                    |
| 10   | Cover (Long Guide Pin)         | 61   | Shear Adapter           |
| 11   | Pad Retainer                   | 68   | Cover (Short Guide Pin) |
| 12   | Brake Pads (Complete)          | 69   | Mounting Bolts          |
| 13   | Tappet and Boot Assembly       | 70   | Tappet Bushing          |
| 22   | Inner Seal                     | 71   | Grease Packet           |

## ST7 CALIPER 51830052(LH) / 51830053(RH)

| SERVICE REPAIR KITS         | SRK NUMBER      |
|-----------------------------|-----------------|
| ST7 PAD KIT (LH/RH) Cu-FREE | SRK 0305700603  |
| DIAPHRAGM REBUILD KIT       | SRK 03434382300 |
| PIN REBUILD KIT             | SRK 03434381500 |
| SHEAR ADAPTER KIT           | SRK 03434381600 |



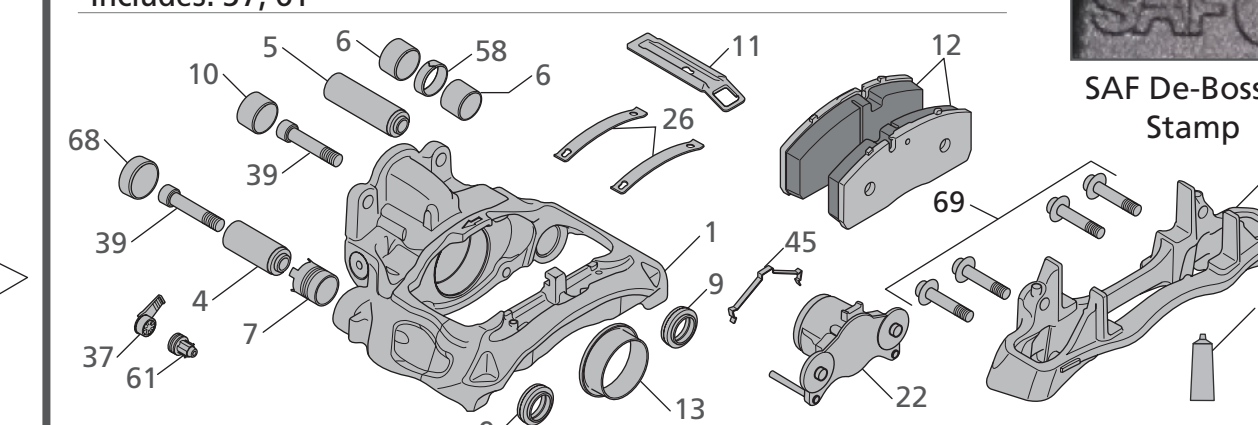
| ITEM | DESCRIPTION                   | ITEM | DESCRIPTION             |
|------|-------------------------------|------|-------------------------|
| 1    | ST7 Caliper                   | 26   | Spring, Cotter Pin      |
| 2    | Carrier                       | 37   | Cap                     |
| 4    | Guide Pin (Short)             | 39   | Caliper Bolt (Short)    |
| 5    | Guide Pin (Long)              | 40   | Caliper Bolt (Long)     |
| 6    | Slide Bearing                 | 44   | Bolt                    |
| 7    | Brass Bushing                 | 45   | Washer                  |
| 9    | Ring                          | 58   | Ring                    |
| 10   | Cover (Long Guide Pin)        | 61   | Shear Adapter           |
| 11   | Pad Retainer                  | 68   | Cover (Short Guide Pin) |
| 12   | Brake Pads (Complete)         | 69   | Mounting Bolts          |
| 13   | Pressure Fitting with Bellows | 70   | Tappet Bushing          |
| 22   | Inner Seal                    | 71   | Grease Packet           |

## SERVICE REPAIR KITS QUICK REFERENCE GUIDE

| KIT DESCRIPTION                            | SERVICE REPAIR KIT NUMBER | C88 | P89 INTEGRAL | P89 TAPER | P89 PARALLEL | P89 PLUS |
|--|---------------------------|-----|--------------|-----------|--------------|----------|
| Rotor Replacement Kit                      | 51830037                  | ●   |              |           |              |          |
| Disc Brake Repair Kit                      | 03434366300               | ●   |              |           |              |          |
| Disc Brake Repair Kit                      | 51830038                  |     | ●            |           |              |          |
| Disc Brake Repair Kit                      | 51830055                  |     |              |           |              | ●        |
| WABCO ABS Kit                              | 03029024200               | ●   |              |           |              |          |
| Dust Shield Kit                            | 1022300000040             | ●   |              | ●         | ●            | ●        |
| Hub Cap Repair Kit - STD Grease            | 2074200000200             |     |              |           | ●            | ●        |
| Hub Cap Repair Kit - PSI                   | 2074200000210             |     | ●            |           | ●            | ●        |
| Short Wheel Bolts Kit                      | 51830048                  |     |              |           | ●            |          |
| Long Wheel Bolts Kit                       | 51830047                  |     |              |           | ●            |          |
| Rotor Replacement Kit - P89 Plus/INTEGRAL® | 51830036                  |     | ●            |           |              | ●        |
| Rotor Replacement Kit - P89                | 51830049                  |     |              | ●         | ●            |          |
| Rotor Attachment Kit - Taper               | 51830050                  |     |              | ●         |              |          |
| Rotor Attachment Kit - Parallel            | 51830051                  |     |              |           | ●            |          |
| Mounting Bolts, Brake Caliper              | 03434366000               | ●   | ●            | ●         | ●            | ●        |
| ABS Sensor Kit                             | 1022300000020             |     | ●            | ●         | ●            | ●        |
| Long Wheel Bolt Kit                        | 2074200000190             | ●   | ●            |           |              | ●        |
| Short Wheel Bolt Kit                       | 2074200000180             | ●   | ●            |           |              | ●        |
| Brake Chamber Kit, 16/24, without Hoses    | 2017200000200             | ●   | ●            | ●         | ●            | ●        |
| Brake Chamber Kit, 18/24, without Hoses    | 2017200000210             | ●   | ●            | ●         | ●            | ●        |
| Brake Chamber Kit, 18/24, with Flex Hose   | 2017300000220             | ●   | ●            | ●         | ●            | ●        |
| Brake Chamber Kit, 16/24, with Flex Hose   | 2017300000230             | ●   | ●            | ●         | ●            | ●        |
| Brake Chamber Kit, 16/24 - Premium Model   | 2109300000140             | ●   | ●            | ●         | ●            | ●        |
| Brake Chamber Kit, 18/24 - Premium Model   | 2109300000150             | ●   | ●            | ●         | ●            | ●        |

## SBS2220H20 51830062(LH) / 51830063(RH)

| SERVICE REPAIR KITS                | SRK NUMBER      |
|------------------------------------|-----------------|
| SBS2220H20 PAD KIT (LH/RH) Cu-FREE | SRK 03057009703 |
| THRUST PIECES KIT                  | SRK 03434386300 |
| GUIDE & SEAL KIT                   | SRK 03434386100 |
| RESET SHAFT KIT                    | SRK 03434386200 |

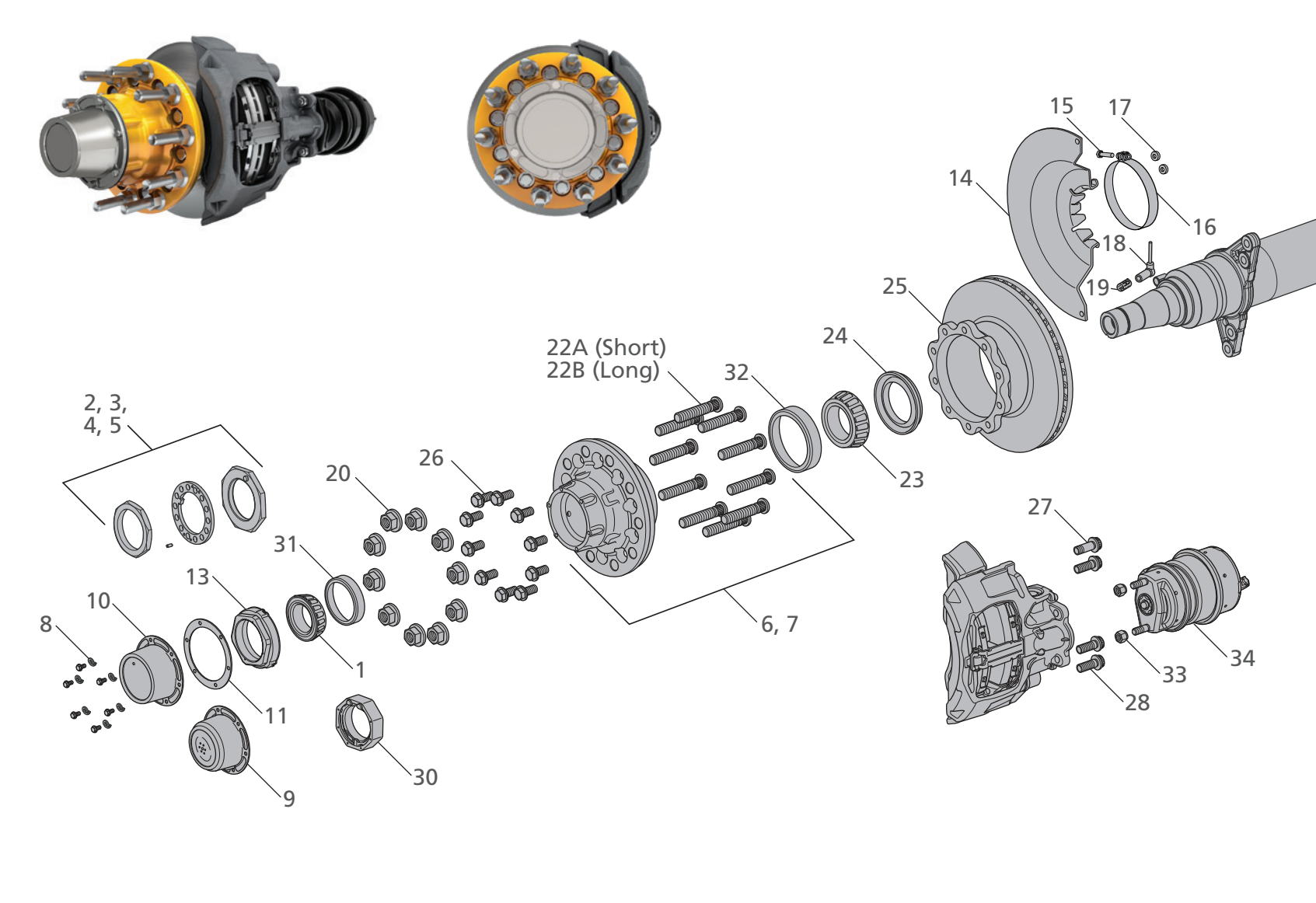


| ITEM | DESCRIPTION            | ITEM | DESCRIPTION             |
|------|------------------------|------|-------------------------|
| 1    | SBS2220H20 Caliper     | 22   | Thrust Plate            |
| 2    | Carrier                | 26   | Pad Springs             |
| 4    | Guide Pin (Short)      | 37   | Plug                    |
| 5    | Guide Pin (Long)       | 39   | Slide Pin Bolt          |
| 6    | Slide Bearing          | 45   | Spring Bracket          |
| 7    | Composite Bushing      | 58   | Spacer                  |
| 9    | Bellows                | 61   | Reset Shaft             |
| 10   | Cover (Long Guide Pin) | 68   | Cover (Short Guide Pin) |
| 11   | Pad Retainer           | 69   | Mounting Bolts          |
| 12   | Brake Pads             | 71   | Grease Packet           |
| 13   | Thrust Plate Bellows   |      |                         |

## P89 AIR DISC BRAKE TAPER SPINDLE

| KIT DESCRIPTION               | SRK NUMBER          | INCLUDES       |
|-------------------------------|---------------------|----------------|
| Dust Shield Kit               | 1022300000040       | 14, 15, 16, 17 |
| Long Wheel Bolt Kit           | 51830047            | 22B, 20        |
| Short Wheel Bolt Kit          | 51830048            | 22A, 20        |
| Rotor Replacement Kit         | 51830049            | 25, 26         |
| Rotor Attachment Kit          | 51830050            | 24, 26         |
| ABS Sensor Kit                | 1022300000020       | 18, 19         |
| Mounting Bolts, Brake Caliper | 03434366000         | 27, 28         |
| Brake Chamber Kit             | See Reference Guide | 33, 34         |

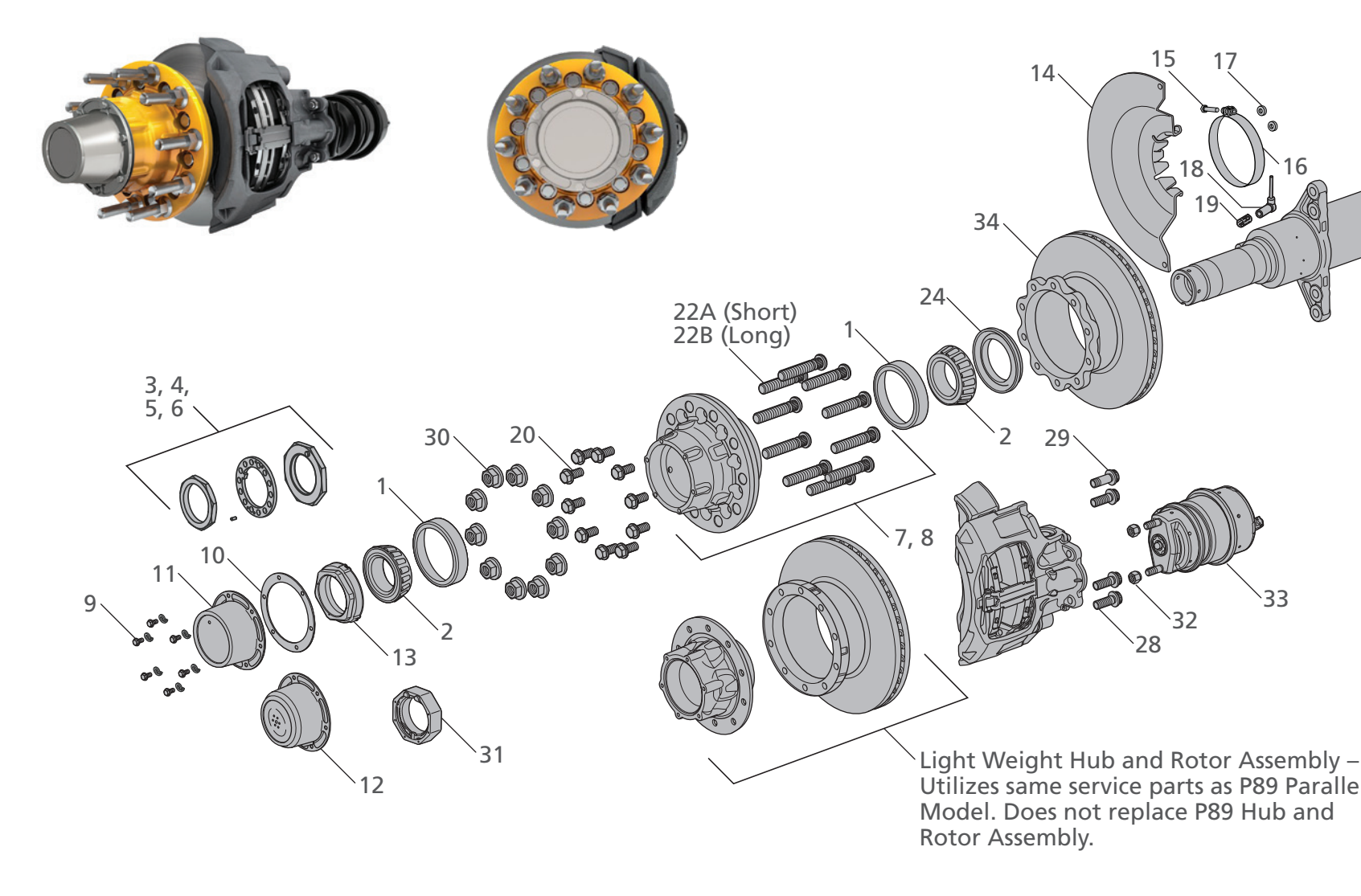
| ITEM | DESCRIPTION                      | PART NUMBER   | QTY / AXLE |
|------|----------------------------------|---------------|------------|
| 1    | Outer Bearing Cone               | 2048200000050 | 2          |
| 2    | Inner Axle Nut                   | 01011009200Z  | 2          |
| 3    | Axle Lock Washer                 | 01345004300Z  | 2          |
| 4    | Outer Axle Nut                   | 01011009300Z  | 2          |
| 5    | Set Screw, 8-32 x .375           | 47044063      | 2          |
| 6    | Taper Hub Assembly, Short Stud   | 2073300000730 | 2          |
| 7    | Taper Hub Assembly, Long Stud    | 2073300000740 | 2          |
| 8    | Bolt, Hub Cap .31 - 18 X .75 GR5 | 04343207800Z  | 12         |
| 9    | Hub Cap, PSI                     | 01304012700Z  | 2          |
| 10   | Hub Cap, STD Grease              | 01304011800Z  | 2          |
| 11   | Gasket, Hub Cap, Taper           | 01093002200Z  | 2          |
| 23   | Zip-Torq Axle Nut                | 2008100000090 | 2          |
| 25   | Inner Bearing Cone               | 2048200000040 | 2          |
| 30   | Pro-Torq Axle Nut                | 01011009500Z  | 2          |
| 31   | Outer Bearing Cup                | 04200102200Z  | 2          |
| 32   | Inner Bearing Cup                | 04200102100Z  | 2          |



## P89 AIR DISC BRAKE PARALLEL SPINDLE

| KIT DESCRIPTION                | SRK NUMBER          | INCLUDES       |
|--------------------------------|---------------------|----------------|
| Dust Shield Kit                | 1022300000040       | 14, 15, 16, 17 |
| Hub Cap Repair Kit, STD Grease | 2074200000200       | 9, 10, 11      |
| Hub Cap Repair Kit, PSI        | 2074200000210       | 9, 10, 12      |
| Short Wheel Bolt Kit           | 51830048            | 22A, 30        |
| Long Wheel Bolt Kit            | 51830047            | 22B, 30        |
| Rotor Replacement Kit          | 51830049            | 20, 34         |
| Rotor Attachment Kit           | 51830051            | 20, 24         |
| ABS Sensor Kit                 | 1022300000020       | 18, 19         |
| Mounting Bolts, Brake Caliper  | 03434366000         | 28, 29         |
| Brake Chamber Kit              | See Reference Guide | 32, 33         |

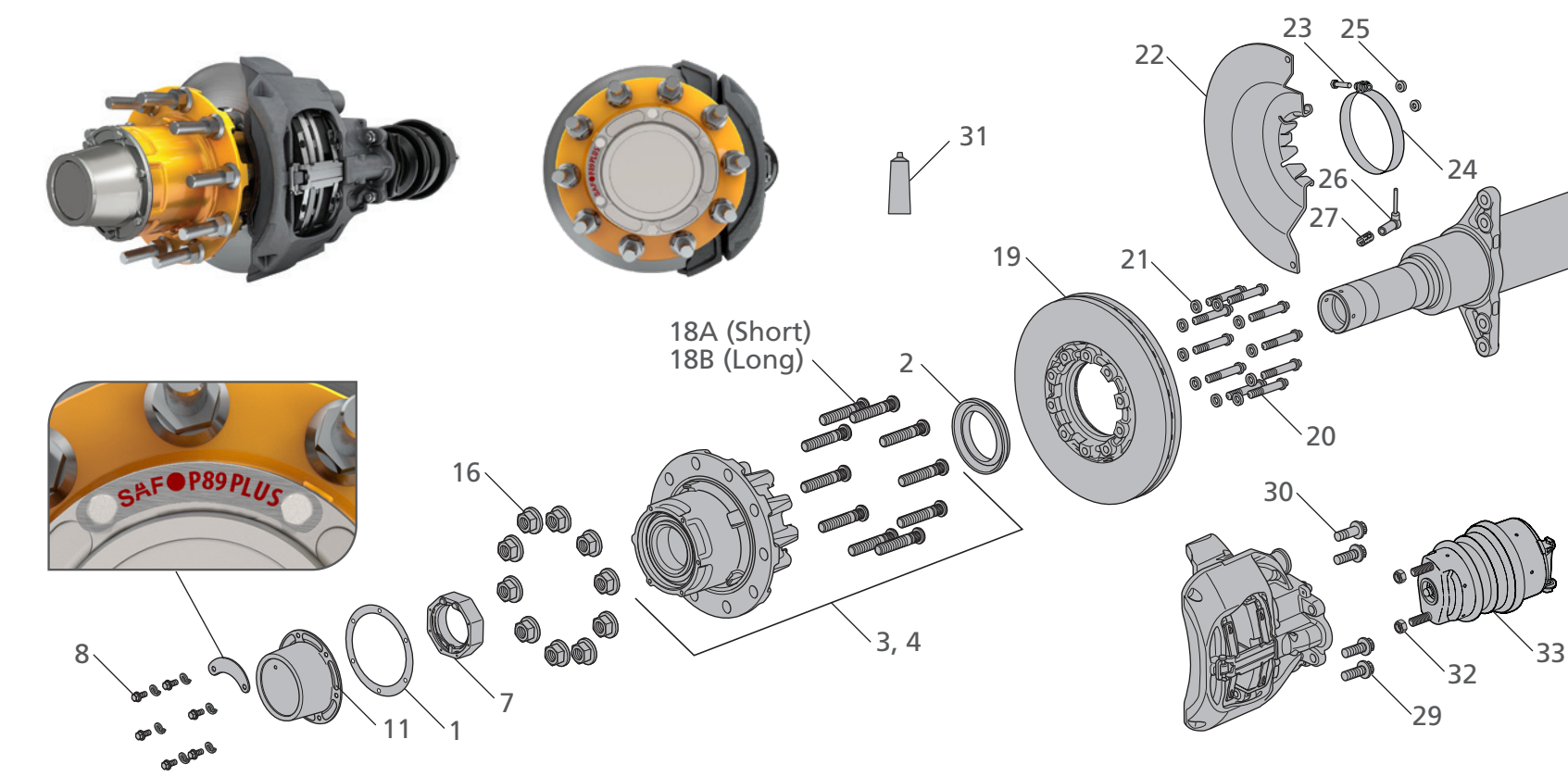
| ITEM | DESCRIPTION                   | PART NUMBER   | QTY / AXLE |
|------|-------------------------------|---------------|------------|
| 1    | Bearing Cup                   | 01231000900Z  | 4          |
| 2    | Bearing Cone                  | 04200102300Z  | 4          |
| 3    | Outer Axle Nut                | 01011009700Z  | 2          |
| 4    | Axle Lock Washer              | 01345004500Z  | 2          |
| 5    | Inner Axle Nut                | 01011009600Z  | 2          |
| 6    | Set Screw, 8-32 x .375        | 47044063      | 2          |
| 7    | Parallel Hub Assy, Short Stud | 2073300000710 | 2          |
| 8    | Parallel Hub Assy, Long Stud  | 2073300000720 | 2          |
| 13   | Zip-Torq Axle Nut             | 2008100000100 | 2          |
| 31   | Pro-Torq Axle Nut             | 01011009400Z  | 2          |



## P89 PLUS AIR DISC BRAKE

| KIT DESCRIPTION                | SRK NUMBER          | INCLUDES       |
|--------------------------------|---------------------|----------------|
| Disc Brake Repair Kit          | 51830055            | 2, 20, 21, 31  |
| Rotor Replacement Kit          | 51830036            | 19, 20, 21     |
| Dust Shield Kit                | 1022300000040       | 22, 23, 24, 25 |
| Hub Cap Repair Kit, STD Grease | 2074200000200       | 1, 8, 11       |
| Hub Cap Repair Kit, PSI        | 2074200000210       | 1, 8, 11       |
| Mounting Bolts, Brake Caliper  | 03434366000         | 29, 30         |
| ABS Sensor Kit                 | 1022300000020       | 26, 27         |
| Long Wheel Bolt Kit            | 2074200000190       | 16, 18B        |
| Short Wheel Bolt Kit           | 2074200000180       | 16, 18A        |
| Brake Chamber Kit              | See Reference Guide | 32, 33         |

| ITEM | DESCRIPTION              | PART NUMBER   | QTY / AXLE |
|------|--------------------------|---------------|------------|
| 3    | Hub Assembly, Short Stud | 2073190000120 | 2          |
| 4    | Hub Assembly, Long Stud  | 2073190000130 | 2          |
| 7    | Pro-Torq Axle Nut        | 01011009400Z  | 2          |



## SERVICE REPAIR TOOLS

