



SAF-HOLLAND Group

HOLLAND LANDING GEAR ORIGINAL PARTS CATALOG

INCLUDES

The Original

BINKLEY™

51000 & 50000



XL-LG11389PM-en-US Rev G

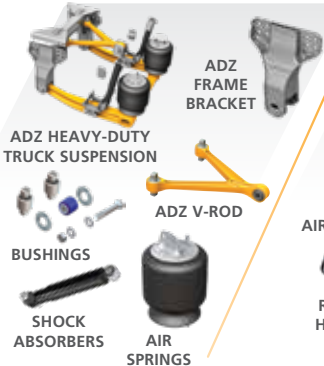
FRONT TO BACK

SAF-HOLLAND ORIGINAL PARTS



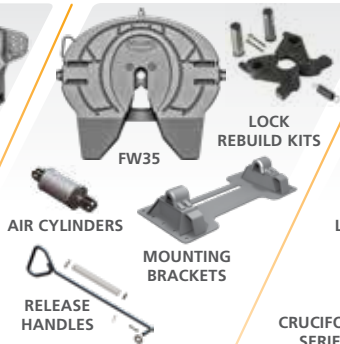
NEWAY

SUSPENSIONS



Holland

FIFTH WHEELS



Holland

KINGPINS



SAF

SUSPENSIONS



Holland

LANDING GEAR



Holland

COUPLINGS



Holland

BUMPER TUBES



Call 800.876.3929
safholland.us

SAF-Holland
ORIGINAL PARTS™

SAF **Holland** **NEWAY**

ORIGINAL SERVICE PARTS TO KEEP YOU ROLLING

LANDING GEAR

Contents & Introduction.....	1-1 – 1-2		
Landing Gear Model Identification	1-4 – 1-7		
51000			
Exploded View - Standard	1-8		
Parts List - Standard	1-9		
Exploded View - NoLube	1-10		
Parts List - NoLube	1-11		
Dimensions & Mounting Distances	1-12		
Ordering Code	1-13		
ATLAS 55			
Exploded View - Standard	1-14		
Parts List - Standard	1-15		
Exploded View - NoLube	1-16		
Parts List - NoLube	1-17		
Replacement Kits.....	1-18 – 1-19		
Dimensions & Mounting Distances	1-20		
Ordering Code	1-21		
ATLAS 65			
Exploded View - Standard	1-22		
Parts List - Standard	1-23		
Exploded View - NoLube	1-24		
Parts List - NoLube	1-25		
Replacement Kits.....	1-26 – 1-27		
Dimensions & Mounting Distances	1-28		
Ordering Code	1-29		
50000			
Exploded View - Standard	1-30		
Parts List - Standard	1-31		
Exploded View - NoLube	1-32		
Parts List - NoLube	1-33		
Dimensions & Mounting Distances	1-34		
Ordering Code	1-35		
FG4000			
Exploded View - Standard	1-36		
Parts List - Standard	1-37		
Exploded View - NoLube	1-38		
Parts List - NoLube	1-39		
Dimensions & Mounting Distances	1-40		
Ordering Code	1-41		
CMS2			
Exploded View	1-42		
Parts List	1-43		
Mounting Distances.....	1-44		
CMS3			
Exploded View	1-46		
Parts List	1-47		
CMS2 & CMS3			
Dimensions	1-48		
Model Code	1-49		
CLASSIC			
Exploded View	1-50		
Parts List	1-51		
Dimensions & Mounting Distances	1-52		
Ordering Code	1-53		
MARK V / MARK V HD			
Exploded View	1-54		
Parts List	1-55		
Standard Leg Assemblies & Replacement Shafts	1-56		
Dimensions & Mounting Distances	1-57 – 1-58		
Ordering Code	1-59		
Dual-Pin Drop Leg			
Exploded View & Parts List.....	1-60		
Dimensions, Capacities & Ordering Code.....	1-61		
4700 & 4701 Series (before 09/2010)			
Exploded View	1-62		
Parts List	1-63		
4700 & 4701 Series			
Exploded View	1-64		
Parts List	1-65		
Dimensions & Mounting Distances	1-66		
Ordering Code	1-67		
4800 Series			
Exploded View & Parts List.....	1-68		
Dimensions, Capacities & Ordering Code.....	1-69		
49000 Gooseneck - Exploded View, Parts List & Dimensions...	1-70		
49000 Series - Dimensions, Capacities & Ordering Code	1-71		
Anti-Nose Dive			
Exploded View & Parts List.....	1-72		
Dimensions & Capacities.....	1-73		
JS150-SB - Exploded View, Parts List, Dimensions & Capacities...	1-74		
JS-2000 - Exploded View, Parts List, Dimensions & Capacities...	1-75		
JS300			
Exploded View & Parts List.....	1-76		
Dimensions & Capacities.....	1-77		
Replacement Landing Gear Shafts.....	1-78 – 1-105		
Replacement Landing Gears	1-106 – 1-117		

LANDING GEAR ACCESSORIES

Crank Handles

- Universal-Style (OEM) Crank Handles 2-2
- Universal- Style (Aftermarket) Crank Handles..... 2-3
- Mark V (OEM) Crank Handles 2-5
- Mark V (Aftermarket) Crank Handles 2-6
- Easy Bar Crank 2-7
- Easy Bar Adjustable Adapter 2-7
- Freuhauf-Style Crank Handles 2-8
- Speed Cranks..... 2-9
- Crank Handle- Replacement Parts..... 2-10
- Removable-Style Crank Handles 2-11
- Dolly Jack Crank Handles 2-11

Crank Hangers..... 2-12

Crank Shaft

- Adapters 2-14
- Bracket..... 2-14
- Extensions..... 2-15

Shiftshaft Extensions 2-17

Horn Extension 2-18

Cross Drive Shaft 2-19

Adjustable Cross Drive Shaft..... 2-19

Sand Shoes

- Low Profile Sand Shoe..... 2-20 – 2-21
- High Profile Sand Shoe..... 2-22 – 2-25
- Oversized Sand Shoe 2-26 – 2-28
- Kits..... 2-29

Center Shoe for Shoe/Wheel Combination 2-30

Rocker Foot..... 2-30

Removable Cushion Foot (RCF)

- Standard RCF..... 2-31
- Square RCF 2-32
- Heavy Duty Square RCF..... 2-32
- Sand Shoe Base RCF..... 2-33
- Round Foot RCF 2-33

Cushion Foot Replacement Parts..... 2-34

Cushion Pad..... 2-34

Self-Leveling Shoes..... 2-35

Dolly Jack Shoe (Standard & Removable) 2-36

Hollow Axle

- Kits..... 2-38
- Hollow Axles..... 2-39

Solid Axle

- Kits..... 2-40
- Solid Axles 2-40

Axle Housing 2-41

Wheels..... 2-42

Heavy Duty Wheel/Shoe Combination 2-42

Swivel Casters 2-42 – 2-43

Brace Ears..... 2-44 – 2-52

Brace Ear Kits 2-52

Strut Braces 2-53 – 2-54

Installation Kits..... 2-55

Misc. Brackets..... 2-56 – 2-58

Warranty

Refer to the complete warranty for the country and product in which the parts will be used. A copy of the written warranty is included with the product and can be found on the SAF-HOLLAND web site.

Original Parts

To ensure optimal performance of SAF-HOLLAND Landing Gear and Landing Gear Accessories to prevent voiding any warranty coverage; we highly recommend the use of only SAF-HOLLAND Original Parts.

Technical Support

Updates to this manual will be published as necessary online.

SAF-HOLLAND USA

800.876.3929 · Fax 800.356.3929
www.safholland.us

SAF-HOLLAND CANADA

519.537.3494 · Fax 800.565.7753

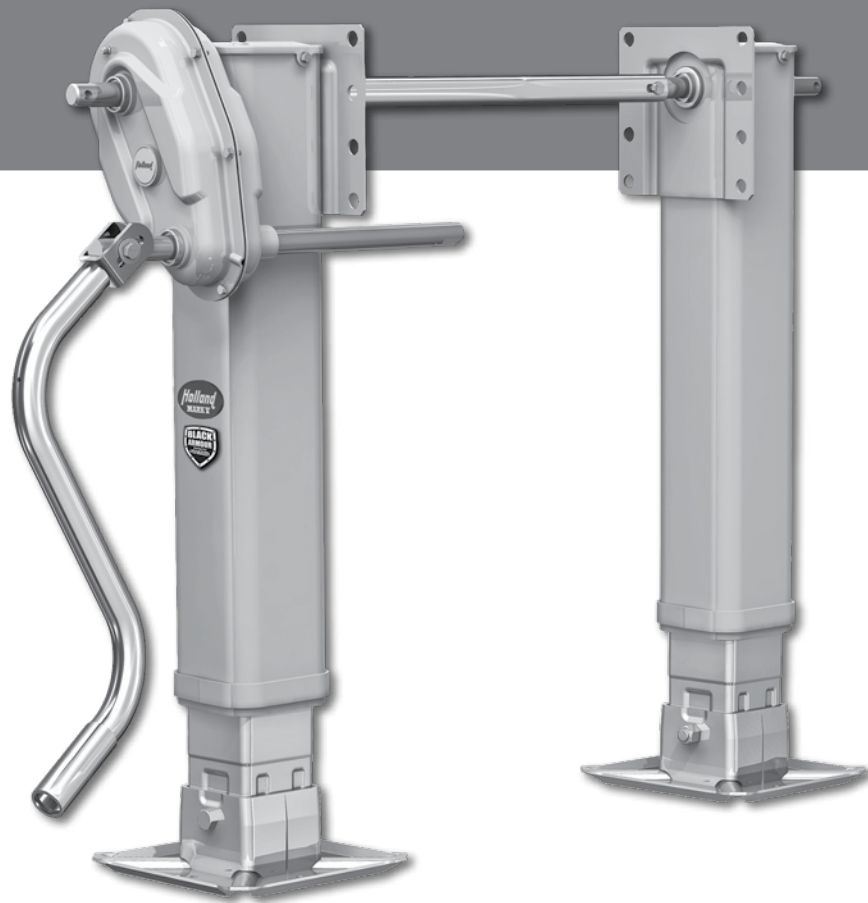
WESTERN CANADA

604.574.7491 · Fax 604.574.0244
www.safholland.ca

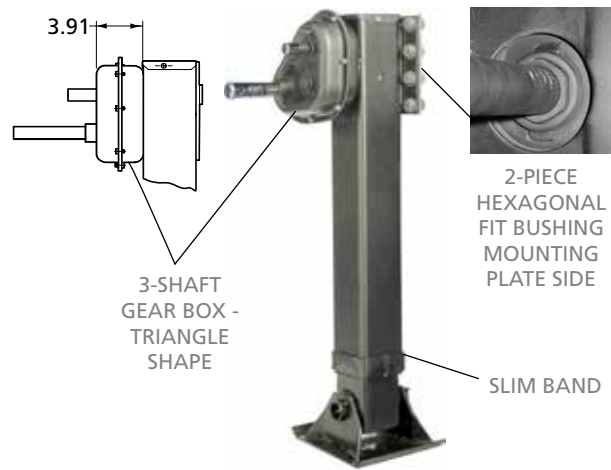
SAF-HOLLAND MEXICO

52.1.55.545668641 · Fax 52.55.58162230
www.safholland.com.mx

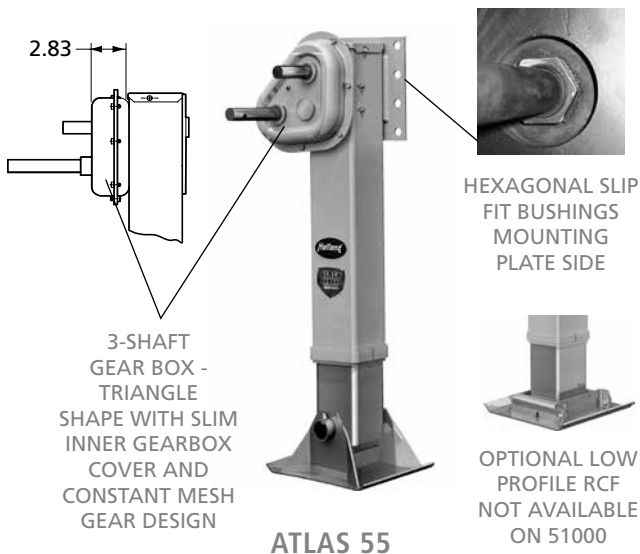
HOLLAND LANDING GEAR



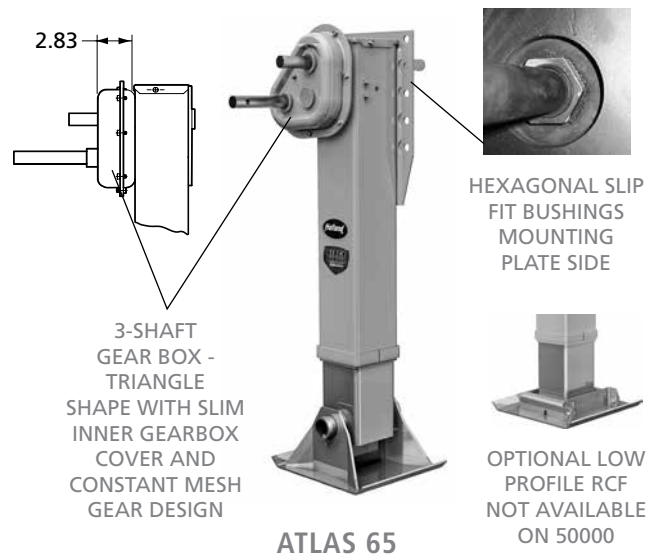
For parts, service, and warranty questions,
call 888.396.6501 or visit www.safholland.us



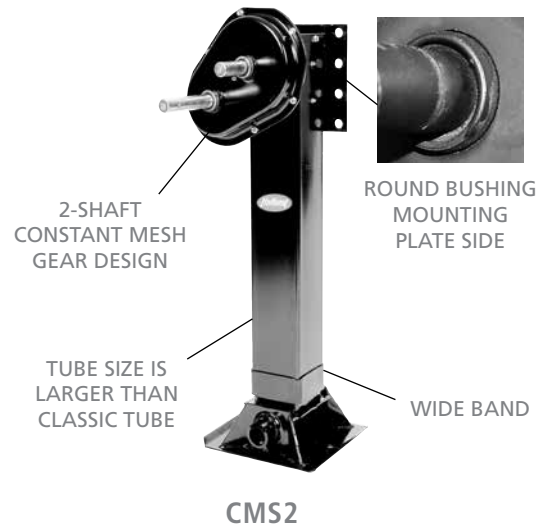
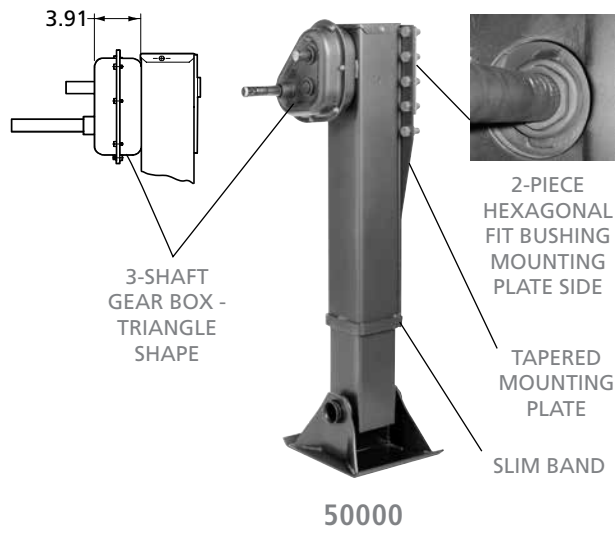
51000

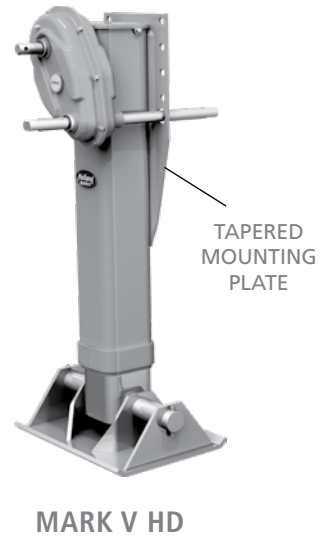
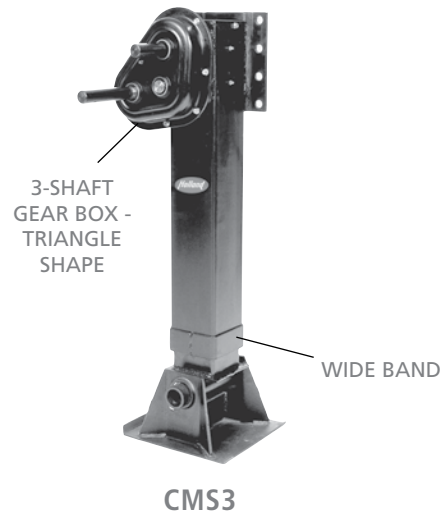
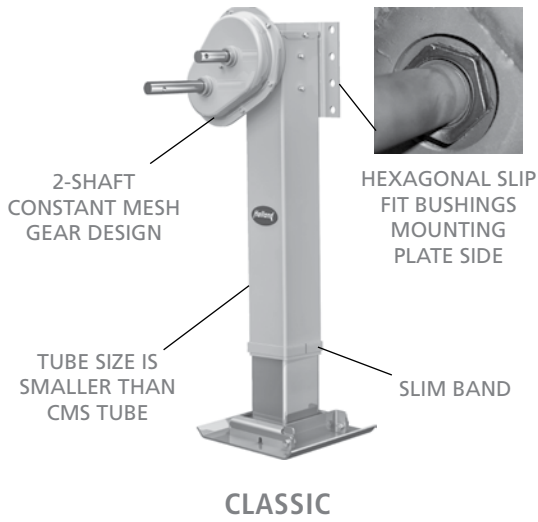


ATLAS 55



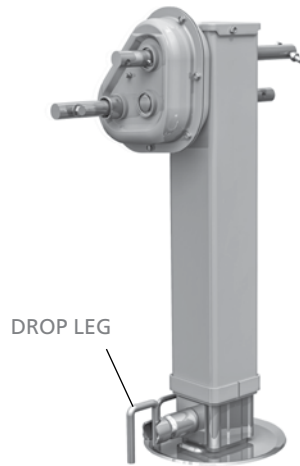
ATLAS 65







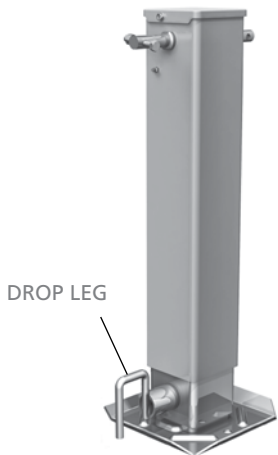
Dual-Pin Drop Leg



4700 Series



4701 Series



48000 Series



49000 Gooseneck



Anti-Nose Dive



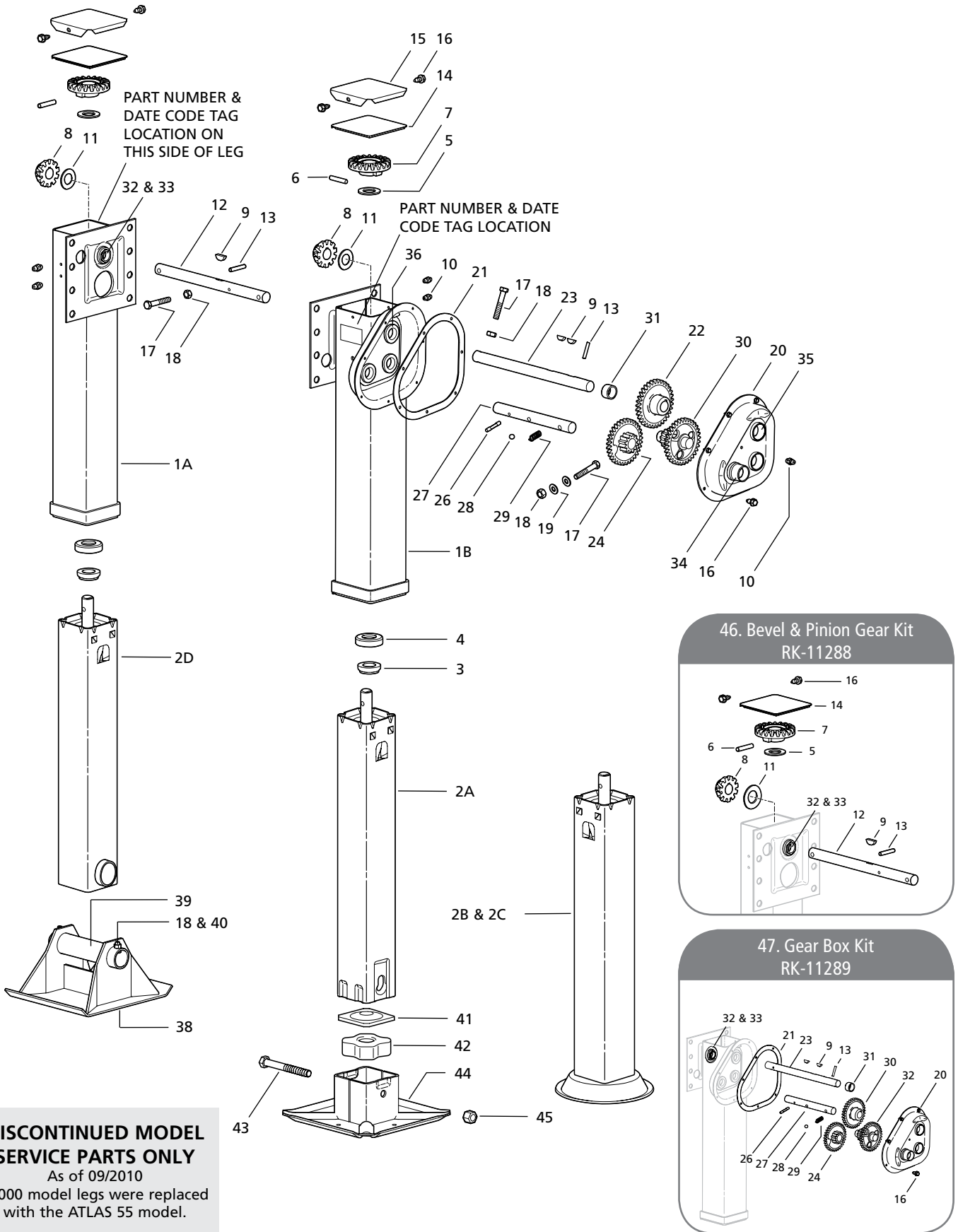
JS150-SB



JS-2000



JS300



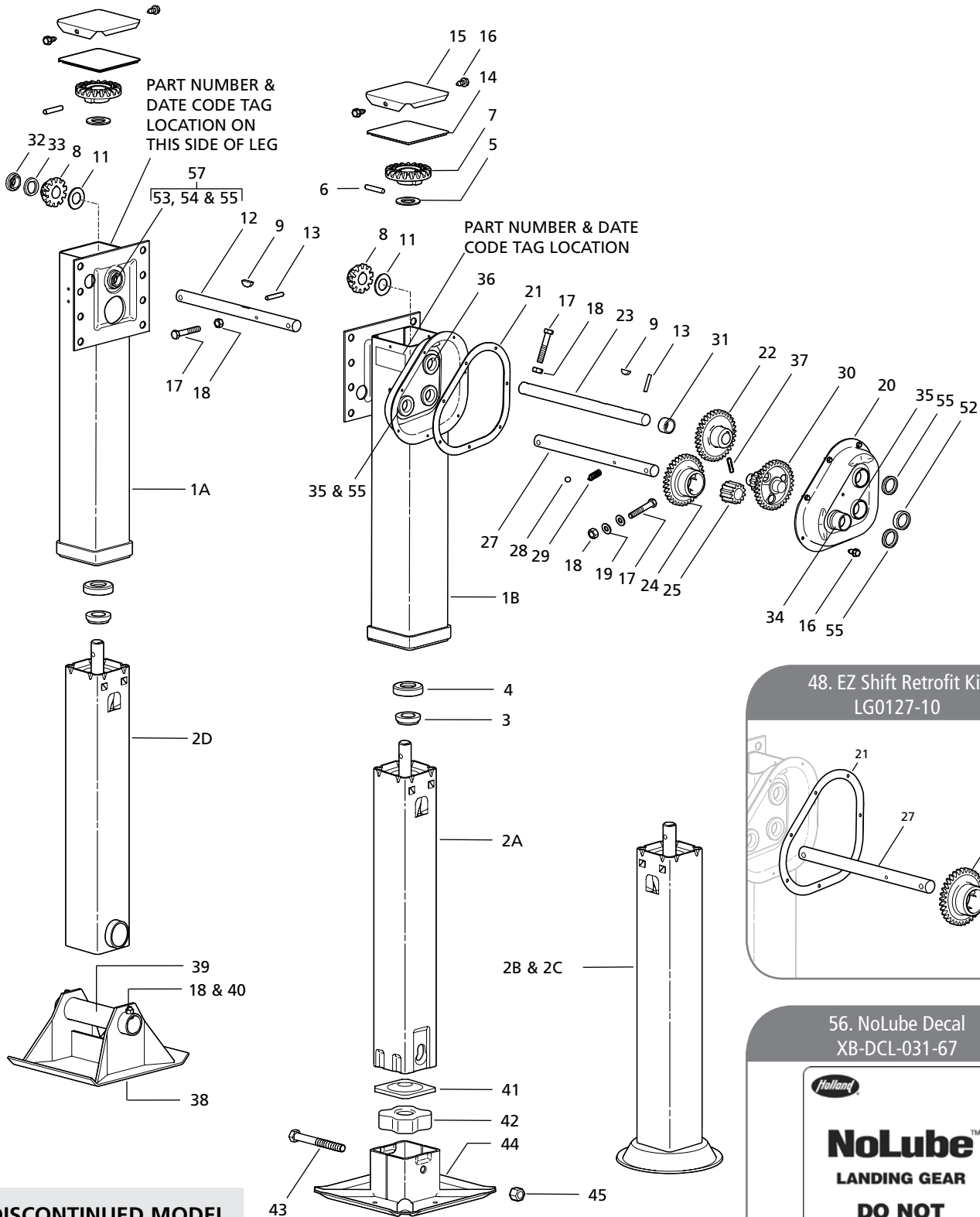
DISCONTINUED MODEL SERVICE PARTS ONLY
 As of 09/2010
 51000 model legs were replaced with the ATLAS 55 model.



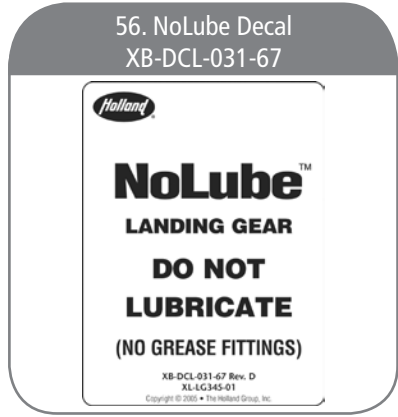
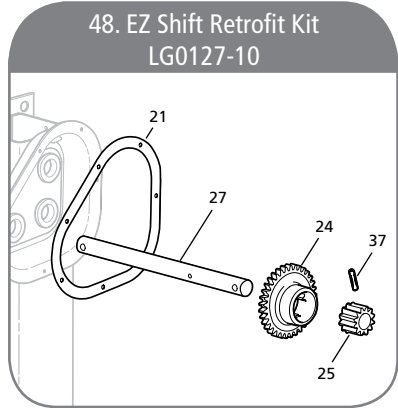
NO.	DESCRIPTION	PART NO.	SPEED	
			ONE	TWO
1A	Upper Housing LH	N/A	1	-
1B	Upper Housing RH	N/A	-	1
2A	Retract Tube - RCF	N/A	1	1
2B	Retract Tube - 10" Shockfoot	N/A	1	1
2C	Retract Tube - 12" Shockfoot	N/A	1	1
2D	Retract Tube - Axle	N/A	1	1
3	Collar	XB-LG0544	1	1
4	Thrust Bearing	XB-BRG-013-77	1	1
5	Washer - FL 2"OD x 1.19" ID x .13" THK	XB-PW-016-62	1	1
6	Pin - DIA .38" x 2"	XA-CRP-V-06635	1	1
7	Bevel Gear	XA-LG0570-01	1	1
8	Pinion Gear	XB-LG1823-01	1	1
9	Key - Woodruff .25" x .88"	XB-KEY-018-02	1	2
10	Ftg - Grease .25"-28 Self Tapping	XB-GRF-022-16	2	3
11	Washer - Fl 1.8"OD x 1.01"ID x .06" THK	XB-PW-016-19	1	1
12	Jack Shaft LH - Universal Mount	LG0927	1	-
	- I-Beam Mount	LG0946	1	-
	- Conventional Mount	LG0946-02	1	-
	- Reverse Mount	LG0948	1	-
13	Pin - Spring DIA .25" x 1.5"	XB-SP-014-27	1	1
14	Gasket	XB-LG0893	1	1
15	Cover	XA-LG0880	1	1
16	Self-Tapping Screw .25"-20 x .5" Lg	XB-ST5-008-11	2	9
17	Screw, Hex Cap .38"-16 x 2.25" Lg GR5	XB-HHC-050-42	1	2
18	Self-Locking Nut .38"-16	XB-SLN-012-04	2	3
19	Washer .38" Std Type A	XB-PW-016-03	-	2
20	Gearbox Half, - Outside w/Hole for Grease Fitting	LG0663	-	1
	- Outside w/Grease Fitting Included	XB-LG0663	-	1
21	Gearbox Gasket	XB-LG0428	-	1
22	Output Gear	LG0543-01	-	1
23	Jackshaft RH - Universal	LG0928	-	1
	- I-Beam Mount	LG0947	-	1
	- Conventional Mount	LG0947-02	-	1
	- Reverse Mount	LG0949	-	1
24	Input Gear- High & Low	LG0541-01	-	1
26	Groove Pin, Type E DIA .25" x 1.50" Lg	XB-GP-014-07	-	1
27	Shift Shaft - Universal Mount	LG0261-01	-	1
	- I-Beam & Conventional Mount	LG0371-01	-	1
	- Reverse Mount	LG0437	-	1
28	Shift Lock Ball	XB-BAL-023-07	-	1
29	Shift Lock Spring	XB-SPG-020-36	-	1
30	Idler Gear	XB-LG0542-01	-	1
31	Spacer Bushing	XB-LG0219-01	-	1
32	Retainer, Hex Lock	LG2094	2	1
33	Hex Lock Boss	LG2095	2	1
34	Shift Lock Boss	XB-LG0658-01	-	1
35	Gearbox Boss	XB-LG0659-01	-	4
36	Gearbox Boss, Inside Half	XB-LG0660	-	1

NO.	DESCRIPTION	PART NO.	SPEED	
			ONE	TWO
38	Sandshoe - 10" x 10" x 4.50"	50616001	1	1
	- 10" x 12" x 4.50"	50616000	1	1
	- 10" x 10" x 2.00"	50616008	1	1
	- 10" x 12" x 2.00"	50616007	1	1
39	Sandshoe Axle - Hollow Axle 8.50" Lg	LG0070-02	1	1
40	Screw, Hex Cap .38"-16 x .75" Lg GR5	XB-HHC-050-69	1	1
41	Cushion Foot Plate	LG0725	1	1
42	Cushion Foot Rubber	XB-LG0726	1	1
43	Bolt - Hex Head .63" -11 x 5.50"	XB-HHB-050-70	1	1
44	R.C.F. - DIA 10"	LG0718-01	1	1
	- DIA 12"	LG0740-01	1	1
	- 10" x 10"	LG0732-01	1	1
45	Self-Locking Nut - .63"-11	XB-SP0012-10	1	1
46	Bevel & Pinion Gear Repair Kit	RK-11288	1	1
47	Gear Box Repair Kit	RK-11289	-	1

For technical assistance please go to www.safholland.us or call 800.876.3929



DISCONTINUED MODEL SERVICE PARTS ONLY
As of 09/2010
51000 model legs were replaced with the ATLAS 55 model.

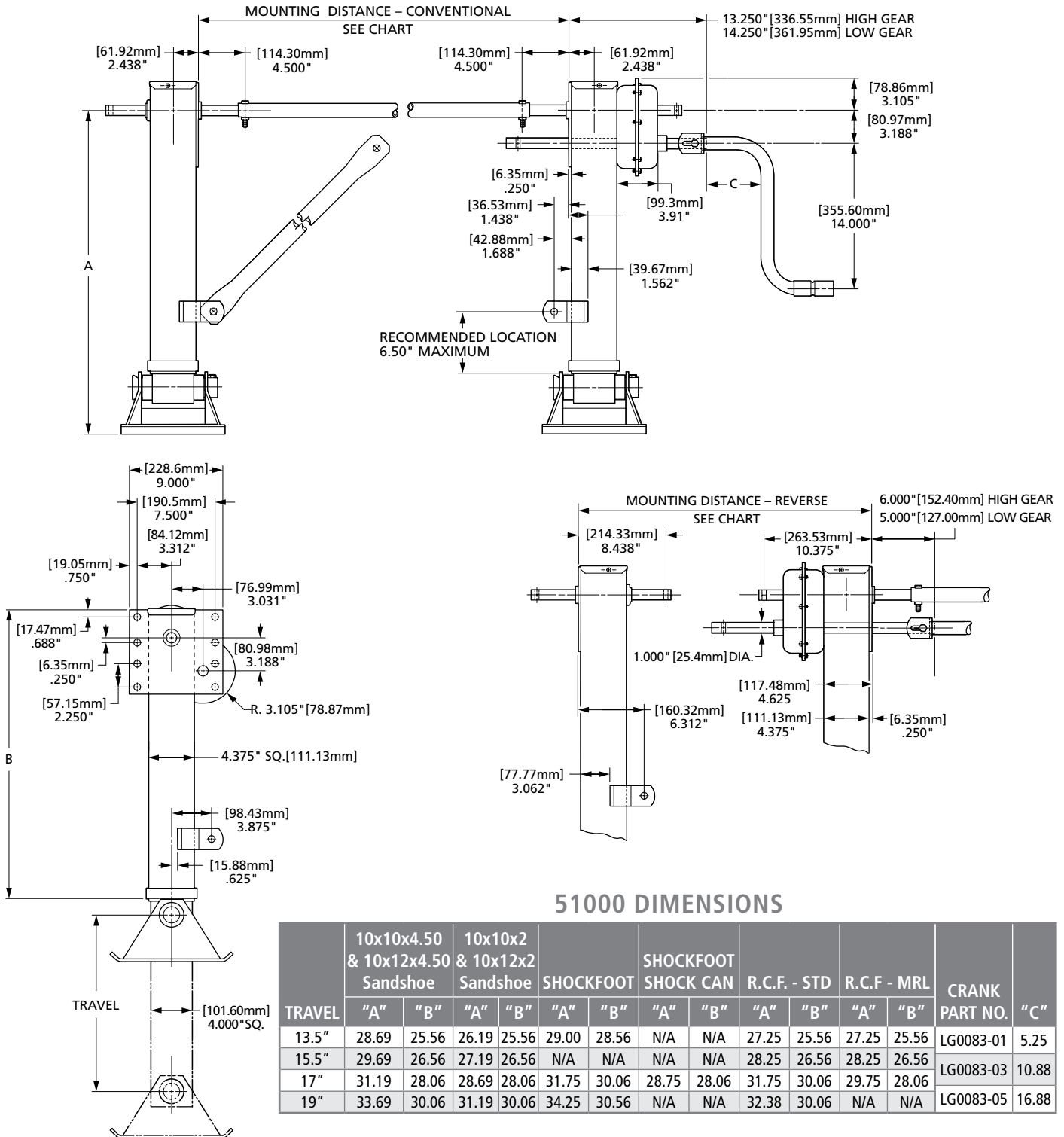




NO.	DESCRIPTION	PART NO.	SPEED	
			ONE	TWO
1A	Upper Housing LH	N/A	1	-
1B	Upper Housing RH w/Gearbox half	N/A	-	1
2A	Retract Tube Ass'y - RCF	N/A	1	1
2B	Retract Tube Ass'y - DIA 10 Shock Foot	N/A	1	1
2C	Retract Tube Ass'y - DIA 12 Shock Foot	N/A	1	1
2D	Retract Tube Ass'y - Axle Socket	N/A	1	1
3	Collar	XB-LG0544	1	1
4	Thrust Bearing	XB-BRG-013-77	1	1
5	Washer - FL 2"OD x 1.19" ID x .13" THK	XB-PW-016-62	1	1
6	Pin - Grooved .38" DIA x 2"	XA-CRP-V-06635	1	1
7	Bevel Gear	XA-LG0570-01	1	1
8	Pinion Gear	XB-LG1823-01	1	1
9	Key - Woodruff .25" x .88"	XB-KEY-018-02	1	2
11	Washer - Fl 1.88"OD x 1.022"ID x .06"THK	XB-PW-016-19	1	1
12	Jack Shaft LH - Universal Mount	LG0927	1	-
	- I-Beam Mount	LG0946	1	-
	- Conventional Mount	LG0946-02	1	-
	- Reverse Mount	LG0948	1	-
13	Pin - Spring DIA .25" x 1.50"	XB-SP-014-27	1	1
14	Gasket	XB-LG0893	1	1
15	Cover	XA-LG0880	1	1
16	Self-Tapping Screw - .25"-20 x .50" Lg.	XB-STS-008-11	2	9
17	Screw, Hex Cap .38" -16 x 2.25" Lg GR5	XB-HHC-050-42	1	2
18	Self-Locking Nut .38" -16	XB-SLN-012-04	2	3
19	Washer .38" Std Type A	XB-PW-016-03	-	2
20	Gearbox Half Assy - Outside - Sealed	LG0663-11	-	1
	Gearbox Half Assy - Outside - Sealed - w/Grease Fitting Hole - No Grease Fitting	LG0663-10	-	1
21	Gearbox Gasket	XB-LG0428	-	1
22	Output Gear	LG0543-01	-	1
23	Jackshaft RH - Universal Mount	LG0928	-	1
	- I-Beam Mount	LG0947	-	1
	- Conventional Mount	LG0947-02	-	1
	- Reverse Mount	LG0949	-	1
24	Input Gear - High	XD-LG0856	-	1
25	Input Gear - Low	XB-LG0857-01	-	1
27	Shift Shaft - Universal EZ Shift	LG0861-01	-	1
	- I-Beam & Conventional EZ Shift	LG0859-01	-	1
	- Reverse EZ Shift	LG0858	-	1
28	Shift Lock Ball	XB-BAL-023-07	-	1
29	Shift Lock Spring	XB-SPG-020-36	-	1
30	Idler Gear	XB-LG0542-01	-	1
31	Spacer Bushing	XB-LG0219-01	-	1
32	Retainer, Hex Lock	XB-LG1570	1	-
33	Hex Lock Boss w/Seals	LG0559-10	1	-
34	Shift Lock Boss	XB-LG0658-01	-	1
35	Gearbox Boss	XB-LG0659-01	-	4
36	Gearbox Boss, Inside Half	XB-LG0660	-	1
37	Groove Pin - .25" x 1.25" Type E	XB-GP-052-22	-	1

NO.	DESCRIPTION	PART NO.	SPEED	
			ONE	TWO
38	Sandshoe - 10" x 10" x 4.50"	50616001	1	1
	- 10" x 12" x 4.50"	50616000	1	1
	- 10" x 10" x 2.00"	50616008	1	1
	- 10" x 12" x 2.00"	50616007	1	1
39	Sandshoe Axle - Hollow Axle 8.50" Lg	LG0070-02	1	1
40	Screw, Hex Cap .38" -16 x .75" Lg GR5	XB-HHC-050-69	1	1
41	Cushion Foot Plate	LG0725	1	1
42	Cushion Foot Rubber	XB-LG0726	1	1
43	Bolt - Hex Head .63" -11 x 5.50"	XB-HHB-050-70	1	1
44	R.C.F. - DIA 10"	LG0718-01	1	1
	- DIA 12"	LG0740-01	1	1
	- 10" x 10"	LG0732-01	1	1
45	Self-Locking Nut - .63"-11	XB-SP0012-10	1	1
48	EZ Shift Retrofit Kit	LG0127-10	-	1
52	Freeze Plug	XB-SEL-030-22	-	1
53	Bushing	XB-LG0219-02	1	1
54	Short Boss	LG1326	1	1
55	Oil Seal	XB-SEL-030-17	1	4
56	NoLube Decal	XB-DCL-031-67	-	1
57	Bearing Boss Assy w/Oil Seal	LG1367-10	1	1

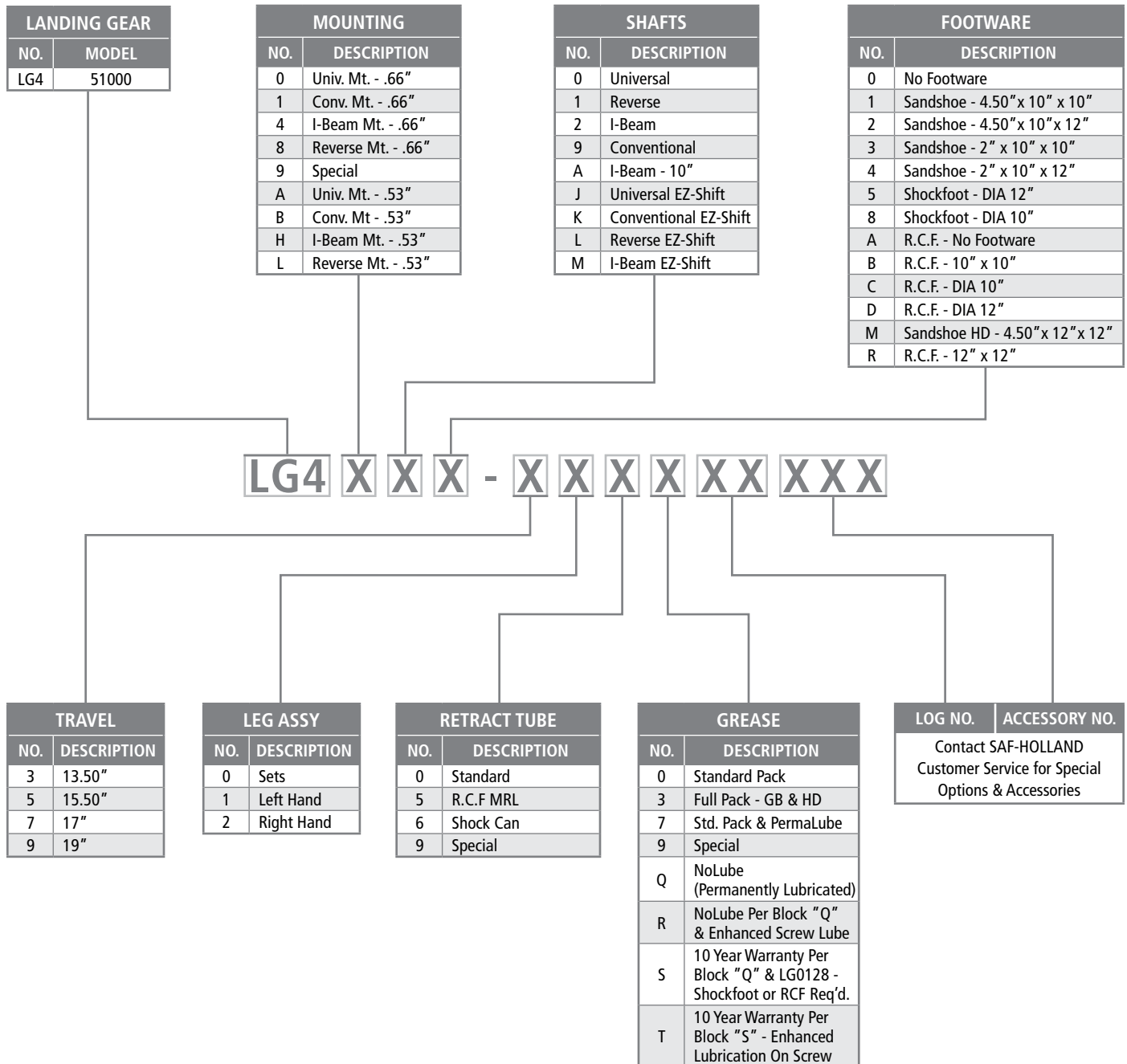
For technical assistance please go to www.safholland.us or call 800.876.3929



MOUNTING DISTANCES

REVERSE MOUNTING DISTANCE	96" WIDE TRAILER	102" WIDE TRAILER	CONVENTIONAL MOUNTING DISTANCE	96" WIDE TRAILER	102" WIDE TRAILER
Maximum	84.00	90.00	Maximum	67.50	73.50
Minimum - LG0083-01	78.00	84.00	Minimum - LG0083-01	61.50	67.50
Minimum - LG0083-03	66.75	72.75	Minimum - LG0083-03	50.25	56.25
Minimum - LG0083-05	54.75	60.75	Minimum - LG0083-05	38.25	44.25

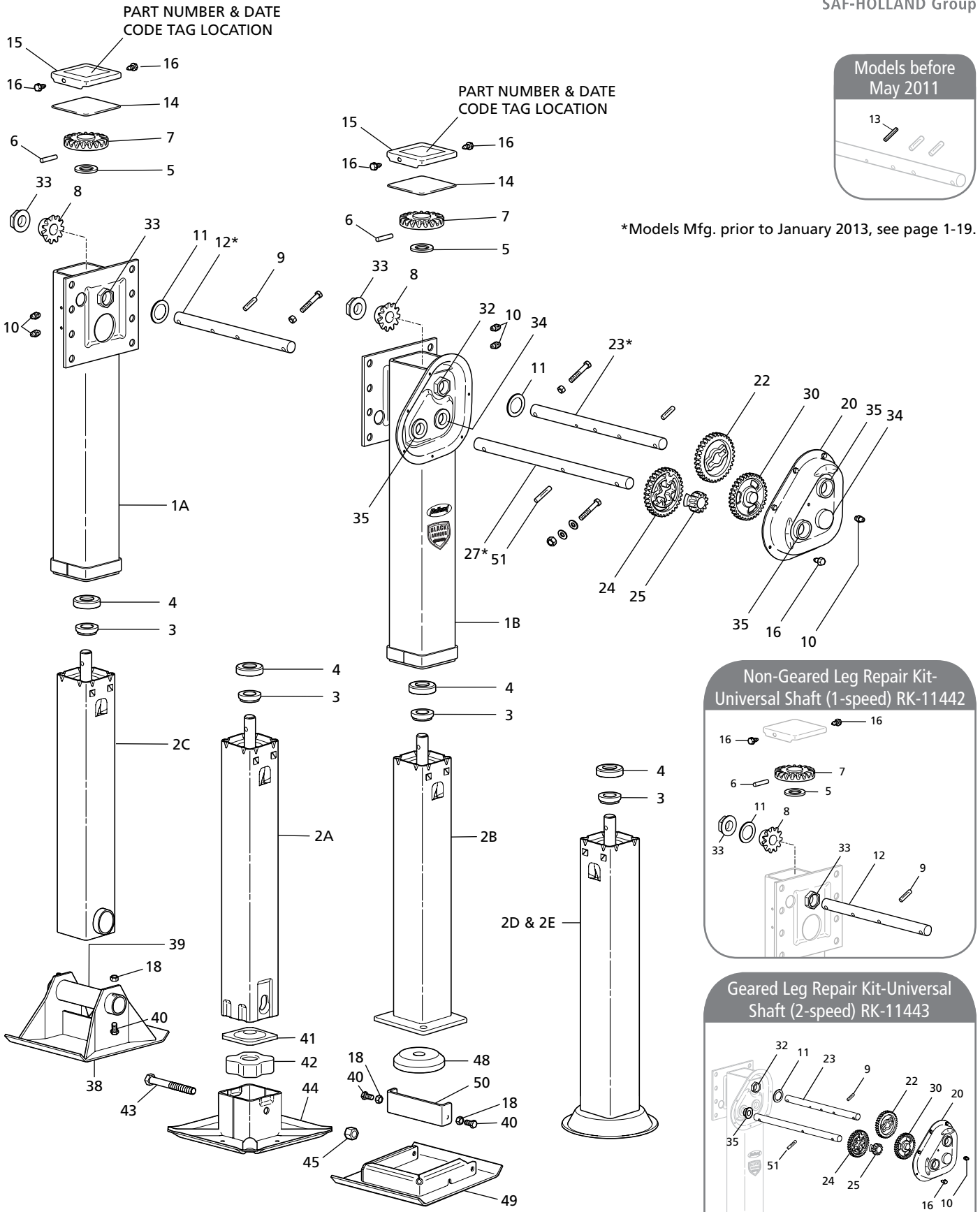
LG4 code number was converted to ATLAS 55 starting September 2010
 Ordering Code provided for reference only.



ATLAS 55 Standard - Exploded View



SAF-HOLLAND Group



Non-Geared Leg Repair Kit-Universal Shaft (1-speed) RK-11442

Geared Leg Repair Kit-Universal Shaft (2-speed) RK-11443

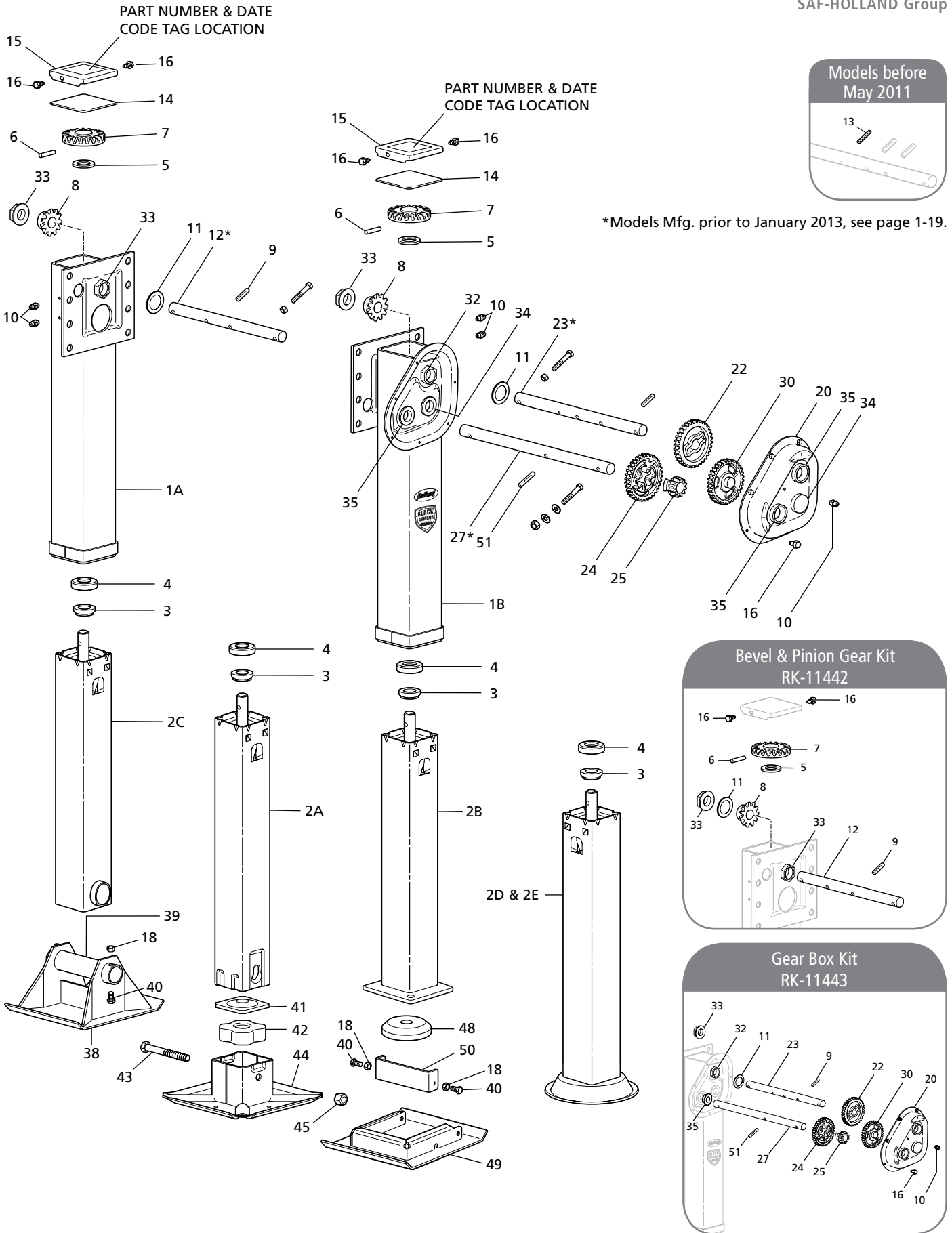


NO.	DESCRIPTION	RETRACT TUBE CODE	TRAVEL					
			13.50"	15.50"	17"	17" CAN.	17" MRL	19"
2A	Retract Tube - RCF	0 or 5 (MRL)	LG3053-01	LG3053-02	LG3053-04	N/A	LG3053-03	LG3053-05
2B	Retract Tube - Low Profile RCF	0	LG3097-01	LG3097-02	LG3097-03	N/A	N/A	NA
2C	Retract Tube - Axle	0	LG3012-01	LG3012-02	LG3012-03	N/A	N/A	LG3012-04
2D	Retract Tube - Shockfoot 10" DIA	0,6 (CAN) or B	LG3061-02	LG3061-03	LG3061-04	LG3061-07	LG3061-10	LG3061-13
2E	Retract Tube - Shockfoot 12" DIA	0,6 (CAN) or B	LG3061-01	N/A	LG3061-05	LG3061-08	LG3061-11	LG3061-14

NO.	DESCRIPTION	PART NO.	SPEED	
			ONE	TWO
1A	Upper Housing LH	N/A	-	-
1B	Upper Housing RH	N/A	-	-
3	Collar	XB-LG0544	1	1
4	Thrust Bearing	XB-BRG-013-77	1	1
5	Washer - FL 2" OD x 1.19" ID x .13" THK	XB-PW-016-62	1	1
6	Pin - DIA .38" x 2"	XA-CRP-V-06635	1	2
7	Bevel Gear	LG2884	1	1
8	Pinion Gear	LG1823-02	1	1
9	Groove Pin - DIA .38" x 1.50"	XB-GP-014-18	1	1
10	Ftg - Grease .25"-28 Self Tapping	XB-GRF-022-16	2	3
11	O-Ring, #319	202410000100	1	1
12	Jack Shaft LH - Universal Mount	LG2964-01	1	-
	- I-Beam Mount, 6.50"	LG2964-04	1	-
	- I-Beam Mount, 10.00"	LG2964-05	1	-
	- Conventional Mount	LG2964-02	1	-
	- Reverse Mount	LG2964-03	1	-
13	Pin - Spring DIA .25" x 1.5" (Not Required)	N/A	-	-
15	Top Cover	2111100004080	1	1
16	Self-Tapping Screw .25"-20 x .5" Lg	XB-STS-008-11	2	9
17	Screw, Hex Cap .38"-16 x 2.25" Lg GR5	XB-HHC-050-42	1	2
18	Self-Locking Nut .38"-16 - Sandshoe	XB-SLN-012-04	2	3
	- Low Profile RCF	XB-SLN-012-04	3	4
	- RCF		1	2
19	Washer .38" Std Type A	XB-PW-016-03	-	2
20	Gearbox Half, Outside w/Hole for Grease Fitting	LG2996	-	1
22	Output Gear	LG2980	-	1
23	Jackshaft RH - Universal Mount	LG2963-01	-	1
	- I-Beam Mount, 6.50"	LG2963-04	-	1
	- I-Beam Mount, 10.00"	LG2963-05	-	1
	- Conventional Mount	LG2963-02	-	1
	- Reverse Mount	LG2963-03	-	1
24	Gear, Drive, High Speed - Machined	2040100000060	-	1
25	Gear, Drive, Low Speed - Machined	2040100000050	-	1
26	Groove Pin, Type E DIA .38" x 2.00" Lg	XB-GP-052-21	-	1
27	Shift Shaft - Universal	2111100003400	-	1
	- I-Beam & Conventional	2111100003410	-	1
	- Reverse	2111100003420	-	1
30	Idler Gear	LG2975	-	1
32	Boss, Hex Lock - Oversized	2022100000180	-	1
33	Hex Lock Boss - Sealed	LG2926-10	2	1
34	Idler Shaft Bushing (Included in Item #23)	LG3005	-	2
35	Boss Bearing - Sealed (Included in Item #20)	LG0659-10	-	3

NO.	DESCRIPTION	PART NO.	SPEED	
			ONE	TWO
38	Sandshoe - 10" x 10" x 4.50"	50616001	1	1
	- 10" x 12" x 4.50"	50616000	1	1
	- 10" x 10" x 2.00"	50616008	1	1
	- 10" x 12" x 2.00"	50616007	1	1
39	Sandshoe Axle - Hollow Axle 8.50" Lg	LG0070-02	1	1
40	Screw, Hex Cap .38"-16 x .75" Lg GR5 - Sandshoe	XB-HHC-050-69	1	1
	Screw, Hex Cap .38"-16 x .75" Lg GR5 - Low Profile RCF	XB-HHC-050-69	2	2
41	Cushion Foot Plate	LG0725	1	1
42	Cushion Foot Rubber	XB-LG0726	1	1
43	Bolt - Hex Head .63" -11 x 5.50"	XB-HHB-050-70	1	1
44	R.C.F. - DIA 10"	LG0718-01	1	1
	- DIA 12"	LG0740-01	1	1
	- 10" x 10"	LG0732-01	1	1
45	Self-Locking Nut - .63"-11"	XB-SP0012-10	1	1
48	Cushion Foot Pad - Low Profile RCF	728003	1	1
49	Interchangeable Collar - Low Profile RCF	730640	1	1
50	Interchangeable Strap	730638	1	1
51	Pin Groove, .31" Dia. x 2.00" Lg	XB-GP-052-52	-	1

For technical assistance please go to www.safholland.us or call 800.876.3929



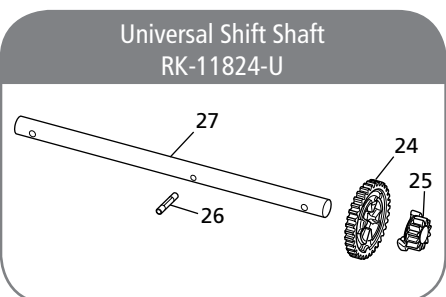
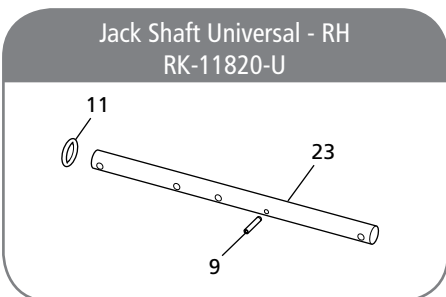
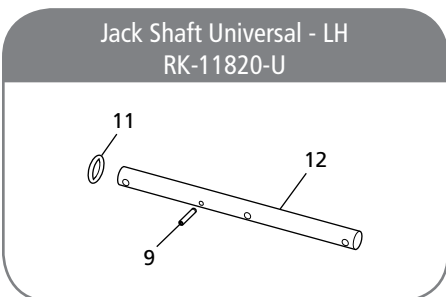
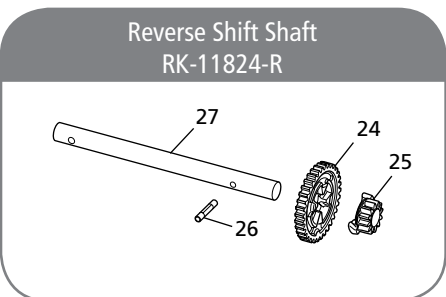
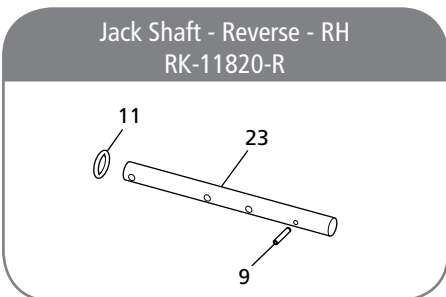
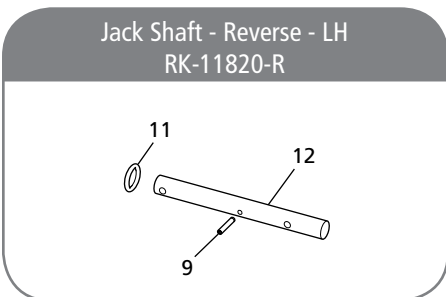
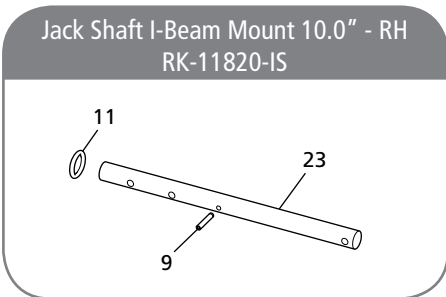
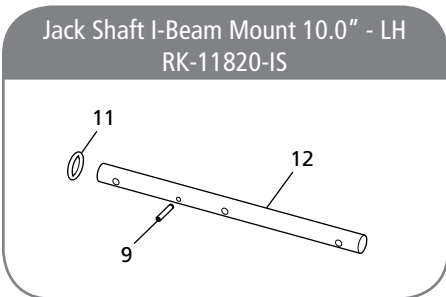
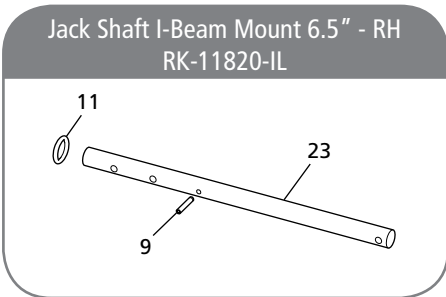
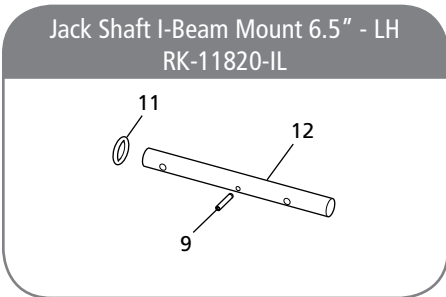
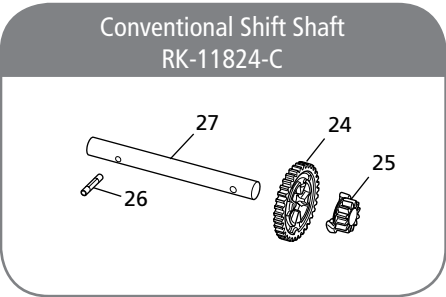
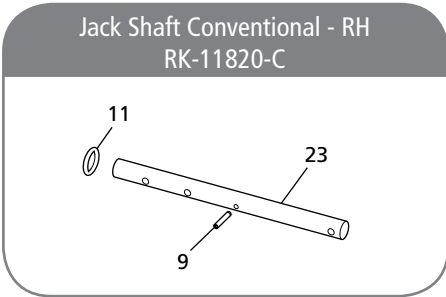
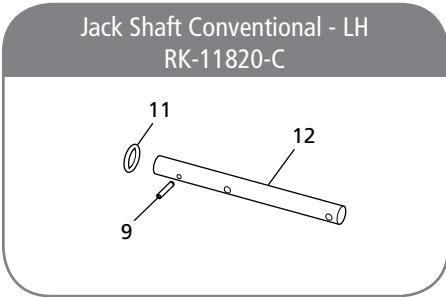


NO.	DESCRIPTION	RETRACT TUBE CODE	TRAVEL					
			13.50"	15.50"	17"	17" *CAN.	17" MRL	19"
2A	Retract Tube - RCF	0 or 5 (MRL)	LG3071-01	LG3071-02	LG3071-04	N/A	LG3071-03	LG3071-05
2B	Retract Tube - Low Profile RCF	0	LG3097-11	LG3097-12	LG3097-13	N/A	N/A	N/A
2C	Retract Tube - Axle	0	LG3077-01	LG3077-02	LG3077-03	N/A	N/A	LG3077-04
2D	Retract Tube - 10" DIA Shockfoot	0,6(CAN) or B	N/A	N/A	LG3095-01	LG3095-03	LG3095-06	LG3095-05
2E	Retract Tube - 12" DIA Shockfoot	0,6(CAN) or B	N/A	N/A	LG3095-02	LG3095-04	N/A	N/A

NO.	DESCRIPTION	PART NO.	SPEED	
			ONE	TWO
1A	Upper Housing LH	N/A	-	-
1B	Upper Housing RH	N/A	-	-
3	Collar	XB-LG0544	1	1
4	Thrust Bearing	XB-BRG-013-77	1	1
5	Washer - FL 2" OD x 1.19" ID x .13" THK	XB-PW-016-62	1	1
6	Pin - DIA .38" x 2"	XA-CRP-V-06635	1	2
7	Bevel Gear	LG2884	1	1
8	Pinion Gear	LG1823-02	1	1
9	Groove Pin - DIA .38" x 1.50"	XB-GP-014-18	1	1
10	Ftg - Grease .25"-28 Self Tapping	XB-GRF-022-16	2	3
11	O-Ring, #319	2024100000100	1	1
12	Jack Shaft LH - Universal Mount	LG2964-01	1	-
	- I-Beam Mount, 6.50"	LG2964-04	1	-
	- I-Beam Mount, 10.00"	LG2964-05	1	-
	- Conventional Mount	LG2964-02	1	-
	- Reverse Mount	LG2964-03	1	-
13	Pin - Spring DIA .25" x 1.5" (Not Required)	N/A	-	-
15	Top Cover	2111100004080	1	1
16	Self-Tapping Screw .25"-20 x .5" Lg	XB-ST5-008-11	2	9
17	Screw, Hex Cap .38"-16 x 2.25" Lg GR5	XB-HHC-050-42	1	2
18	Self-Locking Nut .38"-16 - Sandshoe	XB-SLN-012-04	2	3
	- Low Profile RCF	XB-SLN-012-04	3	4
	- RCF		1	2
19	Washer .38" Std Type A	XB-PW-016-03	-	2
20	Gearbox Half, Outside w/Hole for Grease Fitting	LG2996	-	1
22	Output Gear	LG2980	-	1
23	Jackshaft RH - Universal Mount	LG2963-01	-	1
	- I-Beam Mount, 6.50"	LG2963-04	-	1
	- I-Beam Mount, 10.00"	LG2963-05	-	1
	- Conventional Mount	LG2963-02	-	1
	- Reverse Mount	LG2963-03	-	1
24	Gear, Drive, High Speed - Machined	2040100000060	-	1
25	Gear, Drive, Low Speed - Machined	2040100000050	-	1
26	Groove Pin, Type E DIA .38" x 2.00" Lg	XB-GP-052-21	-	1
27	Shift Shaft - Universal	2111100003400	-	1
	- I-Beam & Conventional	2111100003410	-	1
	- Reverse	2111100003420	-	1
30	Idler Gear	LG2975	-	1
32	Boss, Hex Lock - Oversized	2022100000180	-	1
33	Hex Lock Boss - Sealed	LG2926-10	2	1
34	Idler Shaft Bushing (Included in Item #23)	LG3005	-	2
35	Boss Bearing - Sealed (Included in Item #20)	LG0659-10	-	3

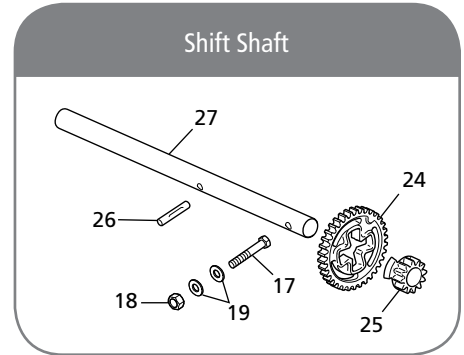
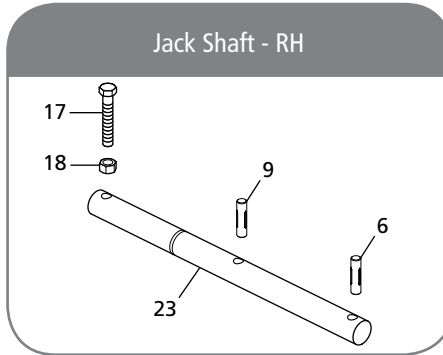
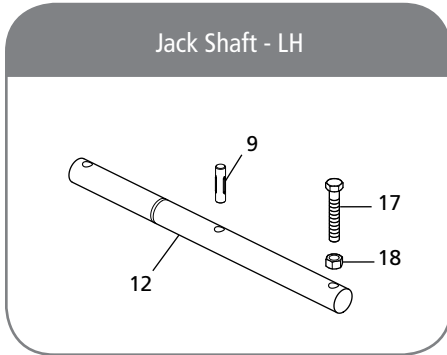
NO.	DESCRIPTION	PART NO.	SPEED	
			ONE	TWO
38	Sandshoe - 10" x 10" x 4.50"	50616001	1	1
	- 10" x 12" x 4.50"	50616000	1	1
	- 10" x 10" x 2.00"	50616008	1	1
	- 10" x 12" x 2.00"	50616007	1	1
39	Sandshoe Axle - Hollow Axle 8.50" Lg	LG0070-02	1	1
40	Screw, Hex Cap .38"-16 x .75" Lg GR5 - Sandshoe	XB-HHC-050-69	1	1
	Screw, Hex Cap .38"-16 x .75" Lg GR5 - Low Profile RCF	XB-HHC-050-69	2	2
41	Cushion Foot Plate	LG0725	1	1
42	Cushion Foot Rubber	XB-LG0726	1	1
43	Bolt - Hex Head .63" -11 x 5.50"	XB-HHB-050-70	1	1
44	R.C.F. - DIA 10"	LG0718-01	1	1
	- DIA 12"	LG0740-01	1	1
	- 10" x 10"	LG0732-01	1	1
45	Self-Locking Nut - .63"-11"	XB-SP0012-10	1	1
48	Cushion Foot Pad - Low Profile RCF	728003	1	1
49	Interchangeable Collar - Low Profile RCF	730640	1	1
50	Interchangeable Strap	730638	1	1
51	Pin Groove, .31" Dia. x 2.00" Lg	XB-GP-052-52	-	1

For technical assistance please go to www.safholland.us or call 800.876.3929

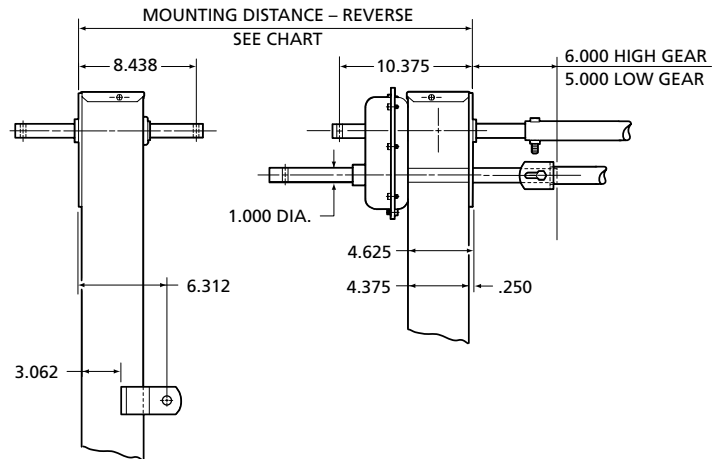
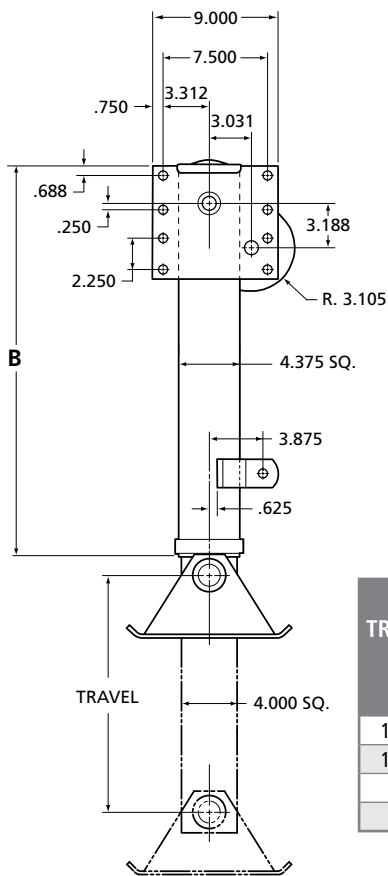
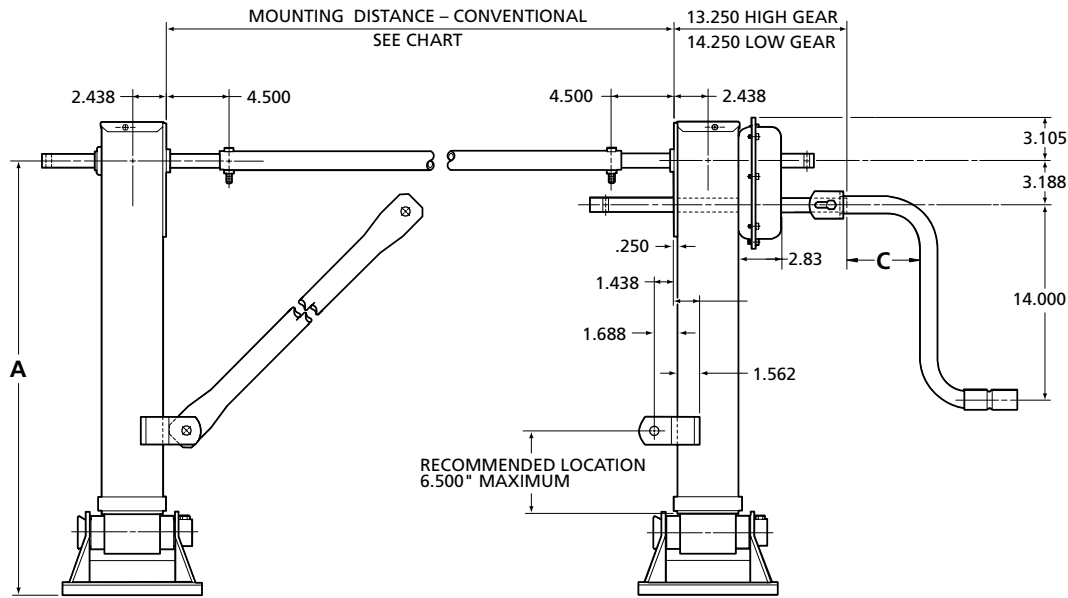


For Models Prior to January 2013

* All Parts Sold Individually



NO.	DESCRIPTION	PART NO.	SPEED	
			ONE	TWO
6	"Pin- DIA .38" x 2"	XA-CRP-V-06635	1	2
9	"Groove Pin- DIA .38" x1.50"	XB-GP-014-18	1	1
12	Jack Shaft - Universal Mount	2111100000430	1	-
	- Beam Mount- 6.5"	2111100000460	1	-
	- I-Beam Mount- 10.0"	2111100000470	1	-
	- Conventional Mount	2111100000440	1	-
	- Reverse Mount	2111100000450	1	-
17	"Screw, Hex Cap .38" -16 x 2.25" "Lg GR5"	XB-HHC-050-42	1	2
18	"Self Locking Nut .38" -16 - Sandshoe	XB-SLN-012-04	2	3
	- Low Profile RCF	XB-SLN-012-04	3	4
19	"Washer .38"" Std Type A"	XB-PW-016-03	-	2
23	Jack Shaft - Universal Mount	2111100000480	-	1
	- Beam Mount- 6.5"	2111100000510	-	1
	- I-Beam Mount- 10.0"	2111100000520	-	1
	- Conventional Mount	2111100000490	-	1
	- Reverse Mount	2111100000500	-	1
24	Gear Drive, High Speed - Machined	2040100000060	-	1
25	Gear Drive, Low Speed - Machined	2040100000050	-	1
	"Pin, Groove .375x2" " Type E"	XB-GP-052-21	-	1

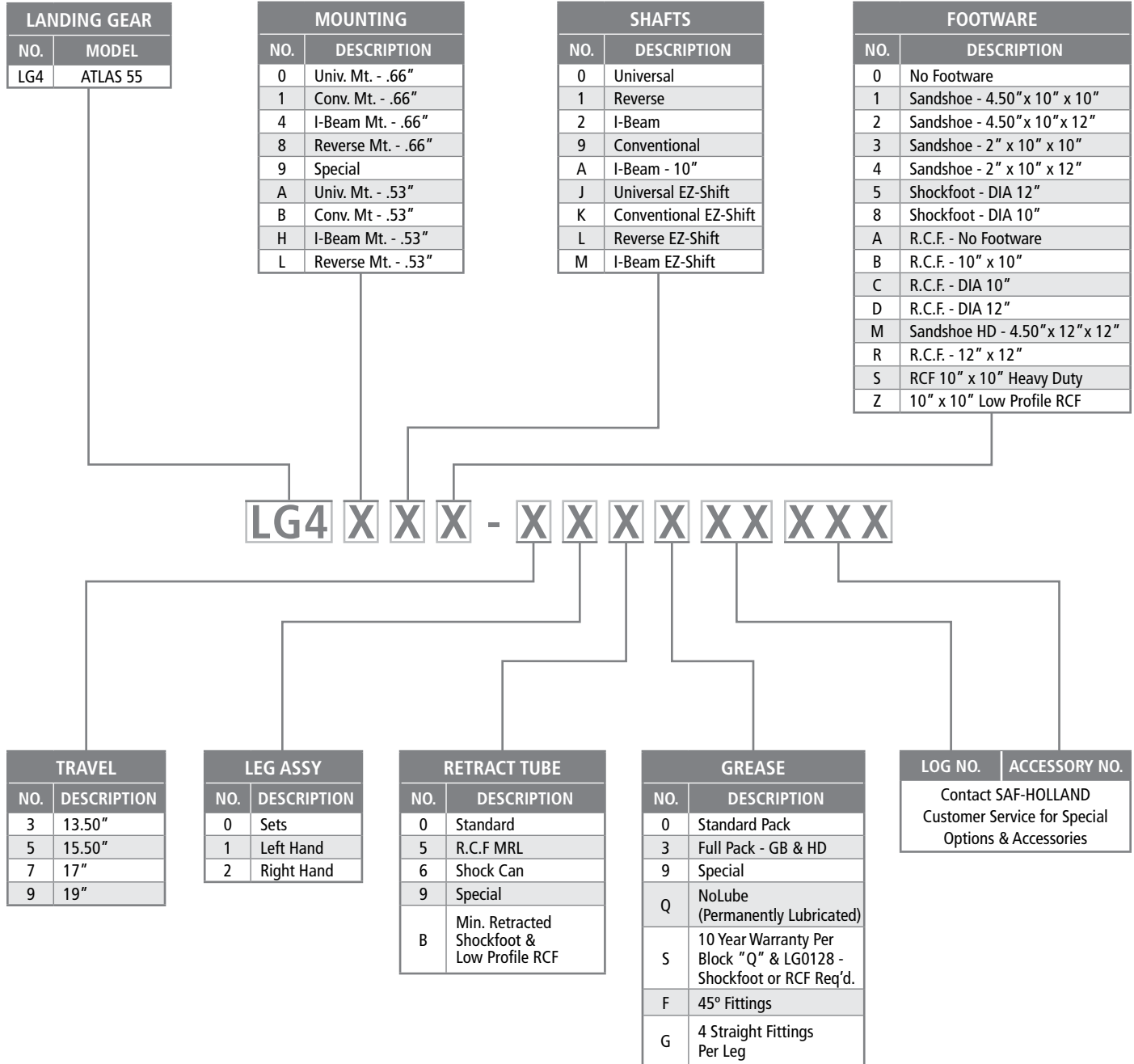


ATLAS 55 DIMENSIONS

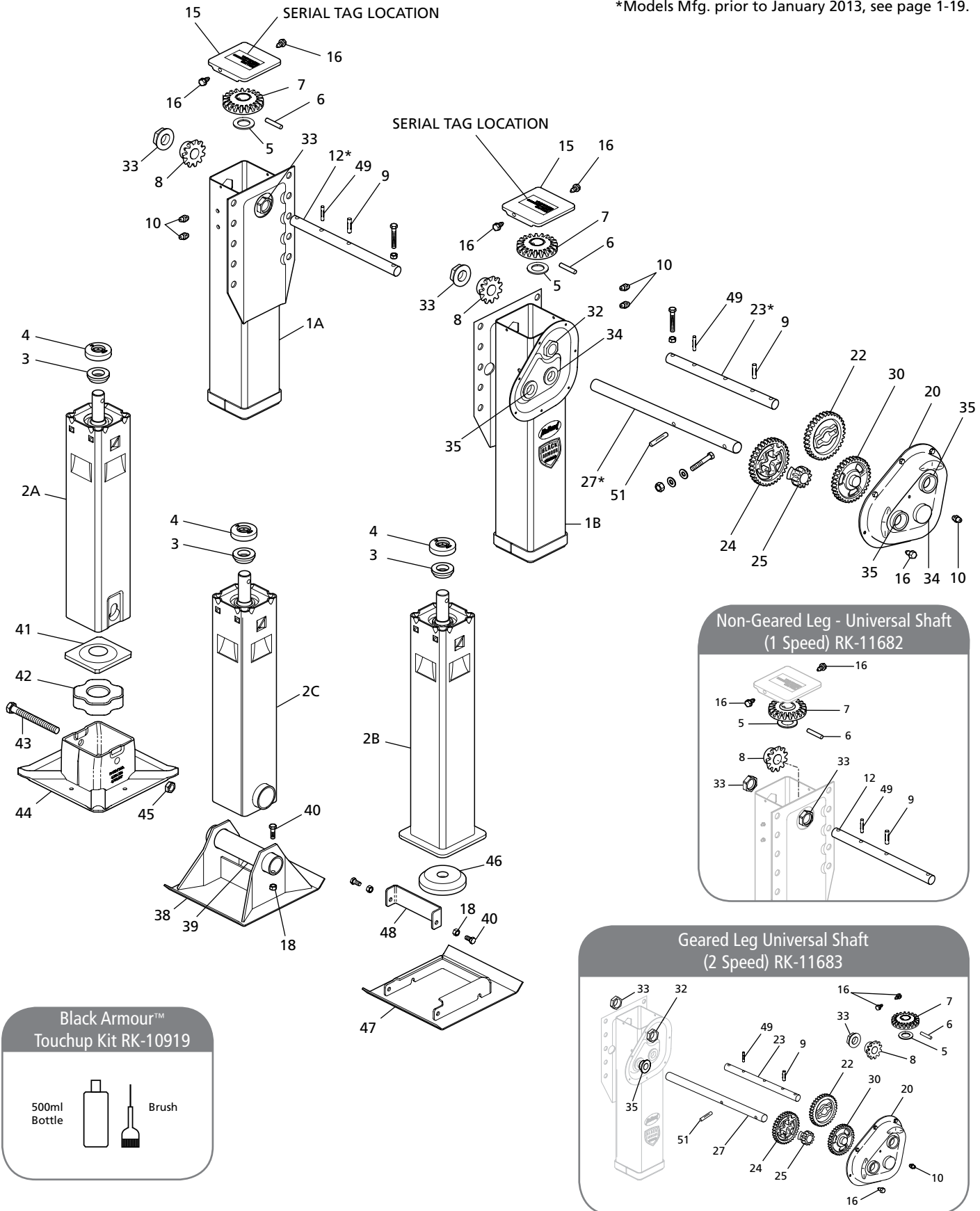
TRAVEL	10x10x4.50 & 10x12x4.50 Sandshoe		10x10x2 & 10x12x2 Sandshoe		SHOCKFOOT		SHOCKFOOT SHOCK CAN		R.C.F. - STD		R.C.F - MRL		CRANK PART NO.	"C"
	"A"	"B"	"A"	"B"	"A"	"B"	"A"	"B"	"A"	"B"	"A"	"B"		
13.5"	28.69	25.56	26.19	25.56	29.00	28.56	N/A	N/A	27.25	25.56	27.25	25.56	LG0083-01	5.25
15.5"	29.69	26.56	27.19	26.56	N/A	N/A	N/A	N/A	28.25	26.56	28.25	26.56	LG0083-03	10.88
17"	31.19	28.06	28.69	28.06	31.75	30.06	28.75	28.06	31.75	30.06	29.75	28.06	LG0083-05	16.88
19"	33.69	30.06	31.19	30.06	34.25	30.56	N/A	N/A	32.38	30.06	N/A	N/A		

MOUNTING DISTANCES

REVERSE MOUNTING DISTANCE	96" WIDE TRAILER	102" WIDE TRAILER	CONVENTIONAL MOUNTING DISTANCE	96" WIDE TRAILER	102" WIDE TRAILER
Maximum	84.00	90.00	Maximum	67.50	73.50
Minimum - LG0083-01	78.00	84.00	Minimum - LG0083-01	61.50	67.50
Minimum - LG0083-03	66.75	72.75	Minimum - LG0083-03	50.25	56.25
Minimum - LG0083-05	54.75	60.75	Minimum - LG0083-05	38.25	44.25



*Models Mfg. prior to January 2013, see page 1-19.





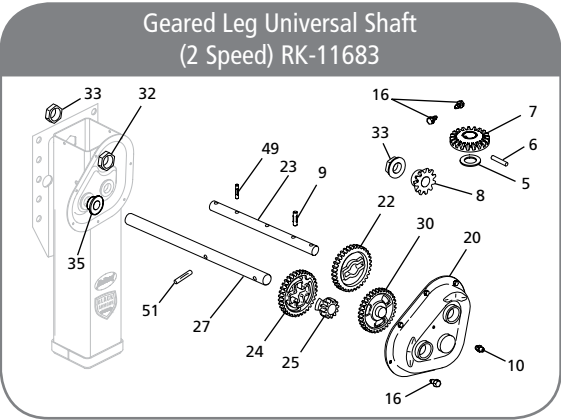
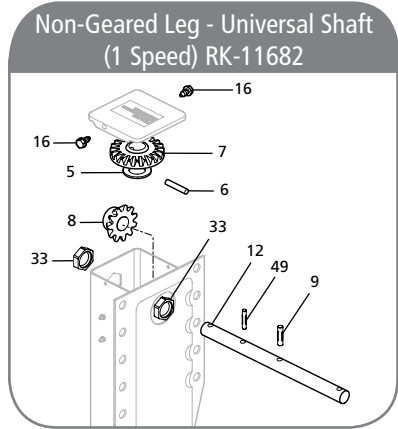
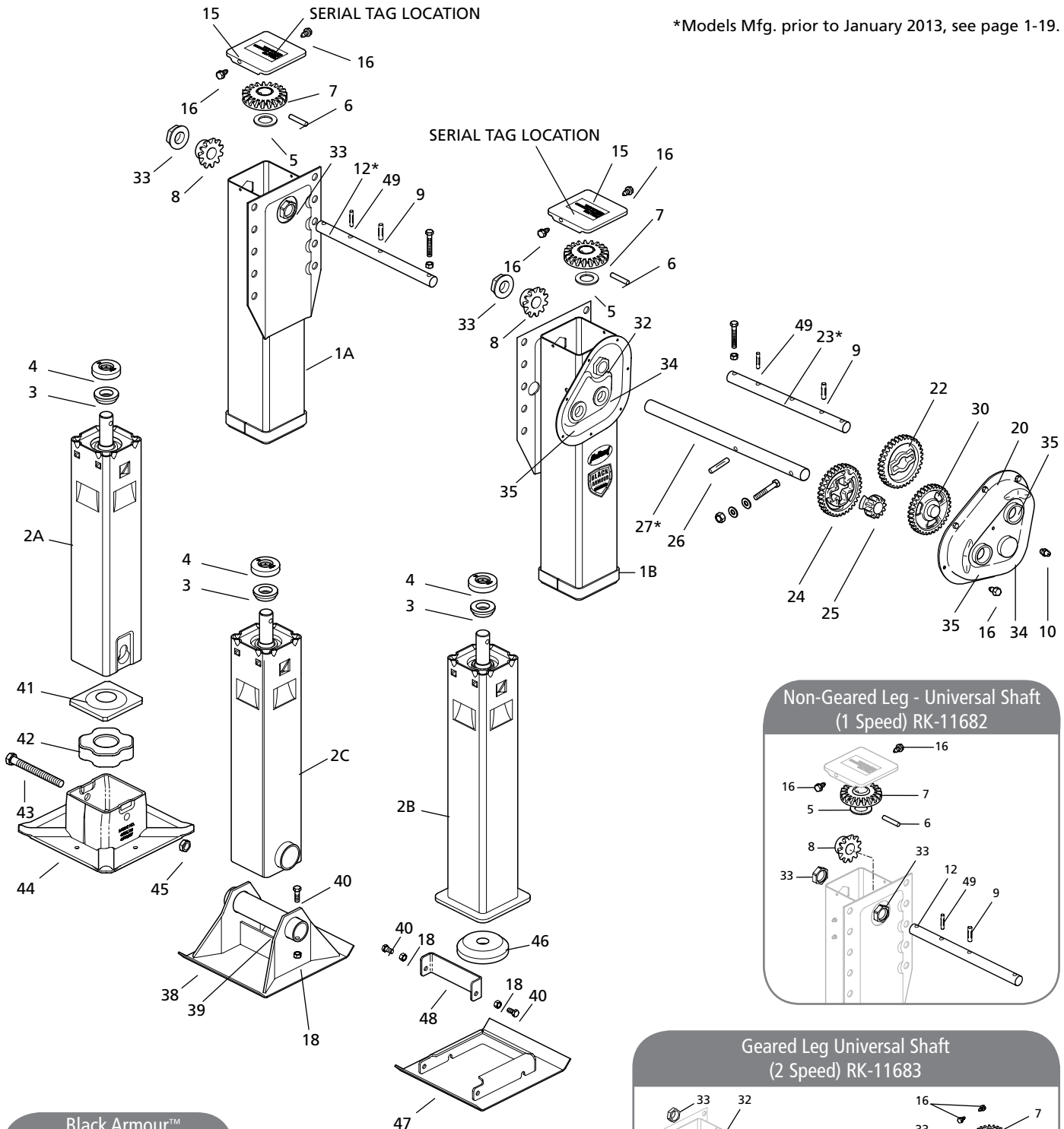
NO.	DESCRIPTION	TRAVEL				
		13.50"	15.50"	17"	17" *MRL.	19"
2A	Retract Tube - RCF	2111200000130	2111200000140	2111200000150	2111200000160	2111200000170
2B	Retract Tube - Low Profile RCF	2111200002480	2111200002490	2111200002510	2111200002500	2111200002520
2C	Retract Tube - Axle	2111200000230	2111200000240	2111200000250	N/A	2111200000260

NO.	DESCRIPTION	PART NO.	SPEED	
			ONE	TWO
1A	Upper Housing LH	N/A	-	-
1B	Upper Housing RH	N/A	-	-
3	Collar	XB-LG0544	1	1
4	Thrust Bearing	XB-BRG-013-77	1	1
5	Washer - FL 2"OD x 1.19" ID x .13" THK	XB-PW-016-62	1	1
6	Pin - DIA .38"x 2"	XA-CRP-V-06635	1	2
7	Bevel Gear	LG2884	1	1
8	Pinion Gear	LG1823-02	1	1
9	Groove Pin - DIA .38" x 1.50"	XB-GP-014-18	1	1
10	Ftg - Grease .25"-28 Self Tapping	XB-GRF-022-16	2	3
12	Jack Shaft LH - Universal Mount	2111100000431	1	-
	- I-Beam Mount - 6.5"	2111100000461	1	-
	- I-Beam Mount - 10"	2111100000471	1	-
	- Conventional Mount	2111100000441	1	-
	- Reverse Mount	2111100000451	1	-
15	Top Cover	2111100000530	1	1
16	Self-Tapping Screw .25"-20 x .5" Lg	XB-STS-008-11	2	9
17	Screw, Hex Cap .38"-16 x 2.25" Lg GR5	XB-HHC-050-42	1	2
18	Self-Locking Nut .38"-16 - Sandshoe	XB-SLN-012-04	2	3
	- Low Profile RCF	XB-SLN-012-04	3	4
19	Washer .38" Std Type A	XB-PW-016-03	-	2
20	Gearbox Half, Outside w/Hole for Grease Fitting	LG2996	-	1
	Includes: (1) Idler Shaft Bushing - #34 (2) Boss Bearing - Sealed - #35	-	-	-
22	Output Gear	LG2980	-	1
23	Jackshaft RH - Universal Mount	2111100000481	-	1
	- I-Beam Mount - 6.5" Shaft	2111100000511	-	1
	- I-Beam Mount - 10.0" Shaft	2111100000521	-	1
	- Conventional Mount	2111100000491	-	1
	- Reverse Mount	2111100000501	-	1
24	Gear Drive, High Speed - Machined	2040100000060	-	1
25	Gear Drive, Low Speed - Machined	2040100000050	-	1
26	Groove Pin, Type E DIA . - .375 x 2" Type E	XB-GP-052-21	-	1
27	Shift Shaft - Universal	2111100003400	-	1
	- I-Beam & Conventional	2111100003410	-	1
	- Reverse	2111100003420	-	1

NO.	DESCRIPTION	PART NO.	SPEED	
			ONE	TWO
30	Idler Gear	LG2975	-	1
32	Hex Lock Boss	2022100000190	-	1
33	Hex Lock Boss - Sealed	2022300000020	2	1
34	Idler Shaft Bushing (Included in Item #20)	LG3005	-	2
35	Boss Bearing - Sealed (Included in Item #20)	LG0659-10	-	3
	Sandshoe - 10" x 10" x 2.00"	LG0056	1	1
	- 10" x 12" x 2.00"	LG0051	1	1
	- 12" x 12" x 2.00"	LG0122	1	1
	- 10" x 10" x 2.00" HD	LG0056-02	1	1
	- 10" x 10" x 4.50"	LG0055	1	1
	- 10" x 12" x 4.50"	LG0050	1	1
	- 12" x 12" x 4.50"	LG0065-04	1	1
	- 16" x 16" x 4.50"	LG1815-05	1	1
	- 10" x 10" x 4.50" HD	LG0055-01	1	1
	- 10" x 12" x 4.50" HD	LG0065	1	1
	- 12" x 12" x 4.50" HD	LG0065-01	1	1
	- 12" x 17" x 4.50" HD	LG0065-02	1	1
39	Sandshoe Axle - Hollow Axle 8.50" Lg	LG0070-02	1	1
40	Screw, Hex Cap .38"-16 x .75" Lg GR5 - Sandshoe	XB-HHC-050-69	1	1
	Screw, Hex Cap .38"-16 x .75" Lg GR5 - Low Profile RCF	XB-HHC-050-69	2	2
41	Cushion Foot Plate	2034160000150	1	1
42	Cushion Foot Rubber	XB-LG0713	1	1
43	Bolt - Hex Head .63" -11 x 6.00"	XB-HHB-050-58	1	1
44	R.C.F. - 10" x 10"	2034200000170	1	1
45	Self-Locking Nut - .63"-11"	XB-SP0012-10	1	1
46	Cushion Foot Pad - Low Profile R.C.F.	728003	1	1
47	Low Profile R.C.F.	730640	1	1
48	Interchangeable Strap	730638	1	1
49	Pin, Spring, .25" DIA. x 1.50"	XB-SP-014-27	1	1
51	Groove Pin, Type E, .31" DIA. x 2.00" LG	XB-GP-052-52	-	1

For technical assistance please go to www.safholland.us or call 800.876.3929

*Models Mfg. prior to January 2013, see page 1-19.



**Black Armour™
Touchup Kit RK-10919**

500ml Bottle Brush

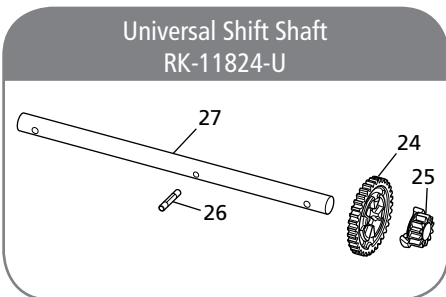
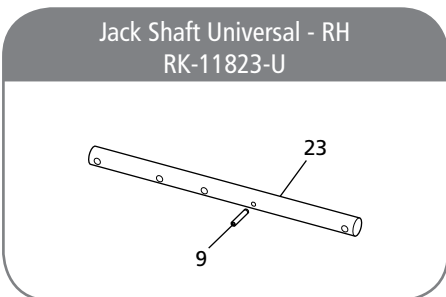
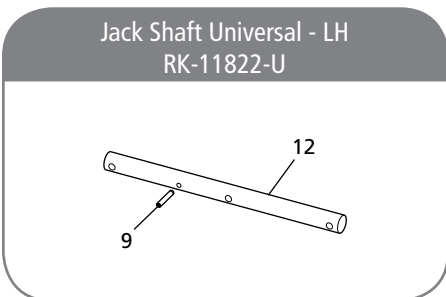
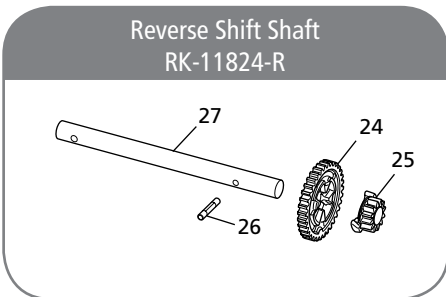
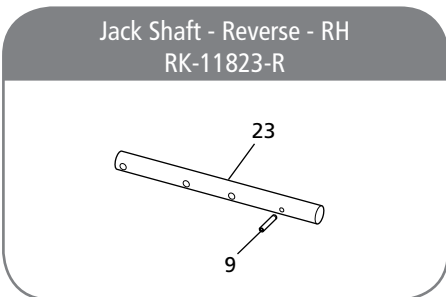
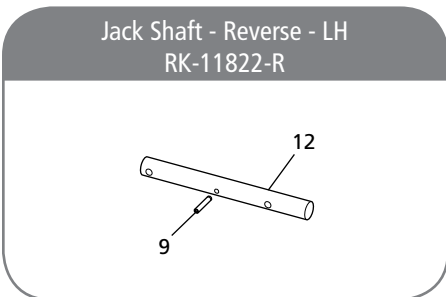
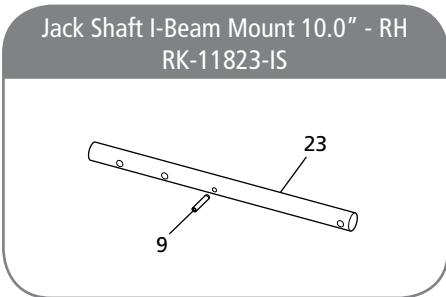
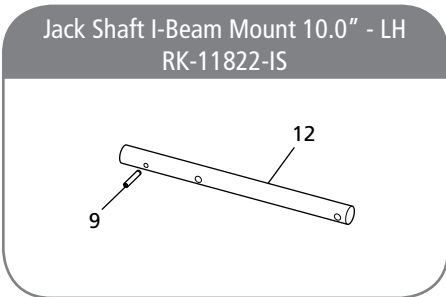
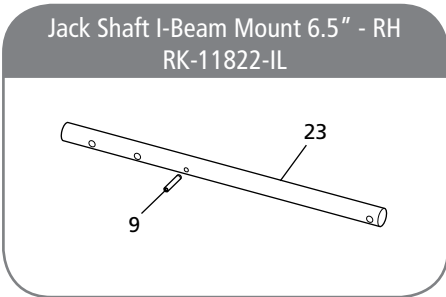
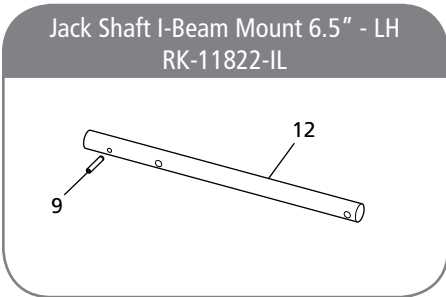
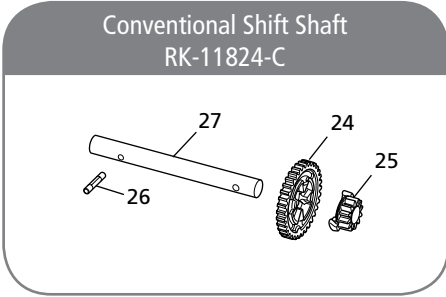
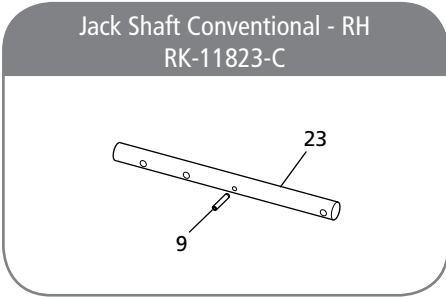
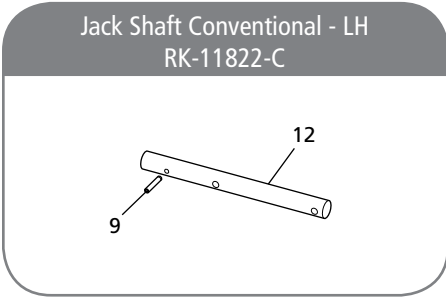


NO.	DESCRIPTION	TRAVEL				
		13.50"	15.50"	17"	17"*MRL.	19"
2A	Retract Tube - RCF	2111200000870	2111200000880	2111200000890	2111200000900	2111200000910
2B	Retract Tube - Low Profile RCF	2111200002530	2111200002540	2111200002560	2111200002550	2111200002570
2C	Retract Tube - Axle	2111200000970	2111200000980	2111200000990	N/A	2111200001000

NO.	DESCRIPTION	PART NO.	SPEED	
			ONE	TWO
1A	Upper Housing LH	N/A	-	-
1B	Upper Housing RH	N/A	-	-
3	Collar	XB-LG0544	1	1
4	Thrust Bearing	XB-BRG-013-77	1	1
5	Washer - FL 2"OD x 1.19" ID x .13" THK	XB-PW-016-62	1	1
6	Pin - DIA .38" x 2"	XA-CRP-V-06635	1	2
7	Bevel Gear	LG2884	1	1
8	Pinion Gear	LG1823-02	1	1
9	Groove Pin - DIA .38" x 1.50"	XB-GP-014-18	1	1
12	Jack Shaft LH - Universal Mount	2111100000431	1	-
	- I-Beam Mount - 6.5"	2111100000461	1	-
	- I-Beam Mount - 10"	2111100000471	1	-
	- Conventional Mount	2111100000441	1	-
15	Top Cover	2111100000530	1	1
	Self-Tapping Screw .25"-20 x .5" Lg	XB-STS-008-11	2	9
17	Screw, Hex Cap .38"-16 x 2.25" Lg GR5	XB-HHC-050-42	1	2
18	Self-Locking Nut .38"-16 - Sandshoe	XB-SLN-012-04	2	3
	- Low Profile RCF	XB-SLN-012-04	3	4
19	Washer .38" Std Type A	XB-PW-016-03	-	2
20	Gearbox Half, Outside w/Hole for Grease Fitting	LG2996	-	1
	Includes: (1) Idler Shaft Bushing - #34	-	-	-
	(2) Boss Bearing - Sealed - #35	-	-	-
22	Output Gear	LG2980	-	1
23	Jackshaft RH - Universal Mount	2111100000480	-	1
	- I-Beam Mount - 6.5" Shaft	2111100000510	-	1
	- I-Beam Mount - 10.0" Shaft	2111100000520	-	1
	- Conventional Mount	2111100000490	-	1
24	Gear, Drive, High Speed - Machined	2040100000060	-	1
	Gear, Drive, Low Speed - Machined	2040100000050	-	1
26	Groove Pin, Type E DIA .38" x 2.00" Lg	XB-GP-052-21	-	1
27	Shift Shaft - Universal	2111100003400	-	1
	- I-Beam & Conventional	2111100003410	-	1
	- Reverse	2111100003420	-	1

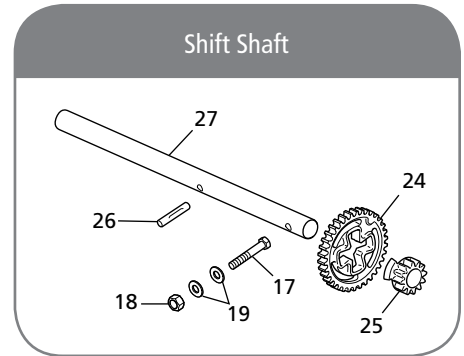
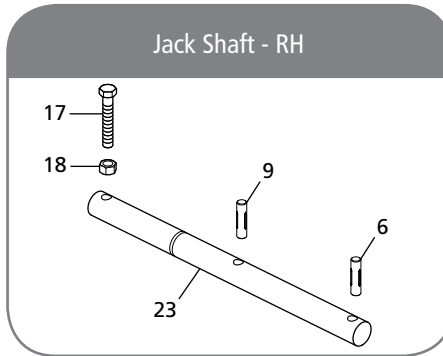
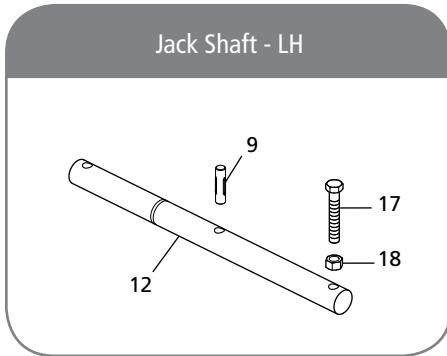
NO.	DESCRIPTION	PART NO.	SPEED	
			ONE	TWO
30	Idler Gear	LG2975	-	1
32	Hex Lock Boss	2022100000190	-	1
33	Hex Lock Boss - Sealed	2022300000020	2	1
34	Idler Shaft Bushing (Included in Item #20)	LG3005	-	2
35	Boss Bearing - Sealed (Included in Item #20)	LG0659-10	-	3
	Sandshoe - 10" x 10" x 2.00"	LG0056	1	1
	- 10" x 12" x 2.00"	LG0051	1	1
	- 12" x 12" x 2.00"	LG0122	1	1
	- 10" x 10" x 2.00" HD	LG0056-02	1	1
	- 10" x 10" x 4.50"	LG0055	1	1
	- 10" x 12" x 4.50"	LG0050	1	1
	- 12" x 12" x 4.50"	LG0065-04	1	1
	- 16" x 16" x 4.50"	LG1815-05	1	1
	- 10" x 10" x 4.50" HD	LG0055-01	1	1
	- 10" x 12" x 4.50" HD	LG0065	1	1
	- 12" x 12" x 4.50" HD	LG0065-01	1	1
	- 12" x 17" x 4.50" HD	LG0065-02	1	1
	39	Sandshoe Axle - Hollow Axle 8.50" Lg	LG0070-02	1
40	Screw, Hex Cap .38"-16 x .75" Lg GR5 - Sandshoe	XB-HHC-050-69	1	1
	Screw, Hex Cap .38"-16 x .75" Lg GR5 - Low Profile RCF	XB-HHC-050-69	2	2
41	Cushion Foot Plate	2034160000150	1	1
42	Cushion Foot Rubber	XB-LG0713	1	1
43	Bolt - Hex Head .63" -11 x 6.00"	XB-HHB-050-58	1	1
44	R.C.F. - 10" x 10"	2034200000170	1	1
45	Self-Locking Nut - .63"-11"	XB-SP0012-10	1	1
46	Cushion Foot Pad - Low Profile R.C.F.	728003	1	1
47	Low Profile R.C.F.	730640	1	1
48	Interchangeable Strap	730638	1	1
49	Pin, Spring, .25" DIA. x 1.50"	XB-SP-014-27	1	1
50	Groove Pin, Type E, .31" DIA. x 2.00" LG	XB-GP-052-52	-	1

For technical assistance please go to www.safholland.us or call 800.876.3929

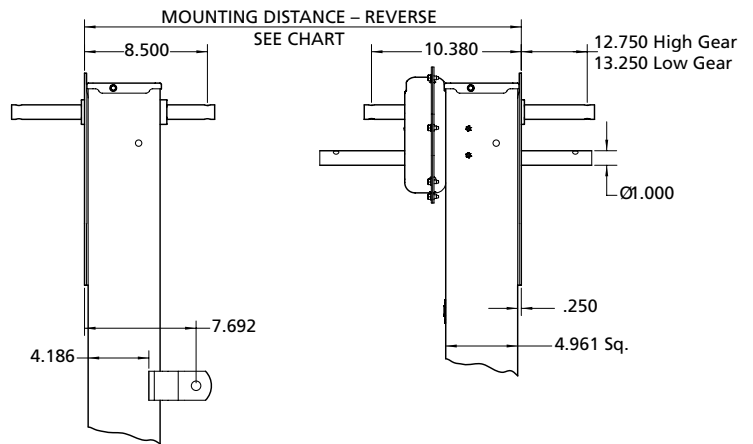
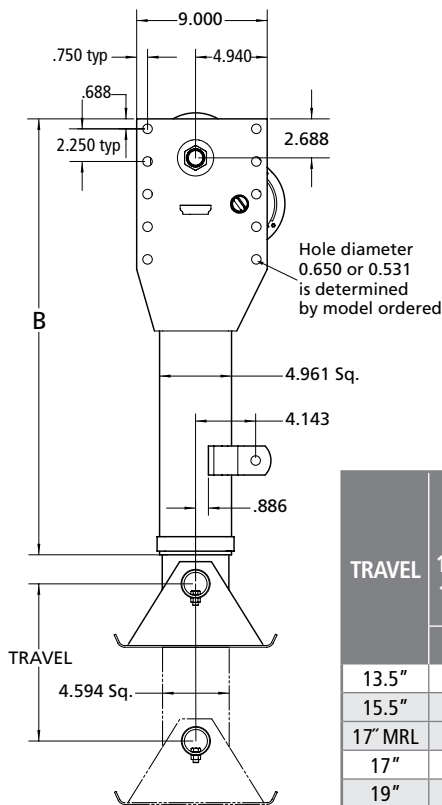
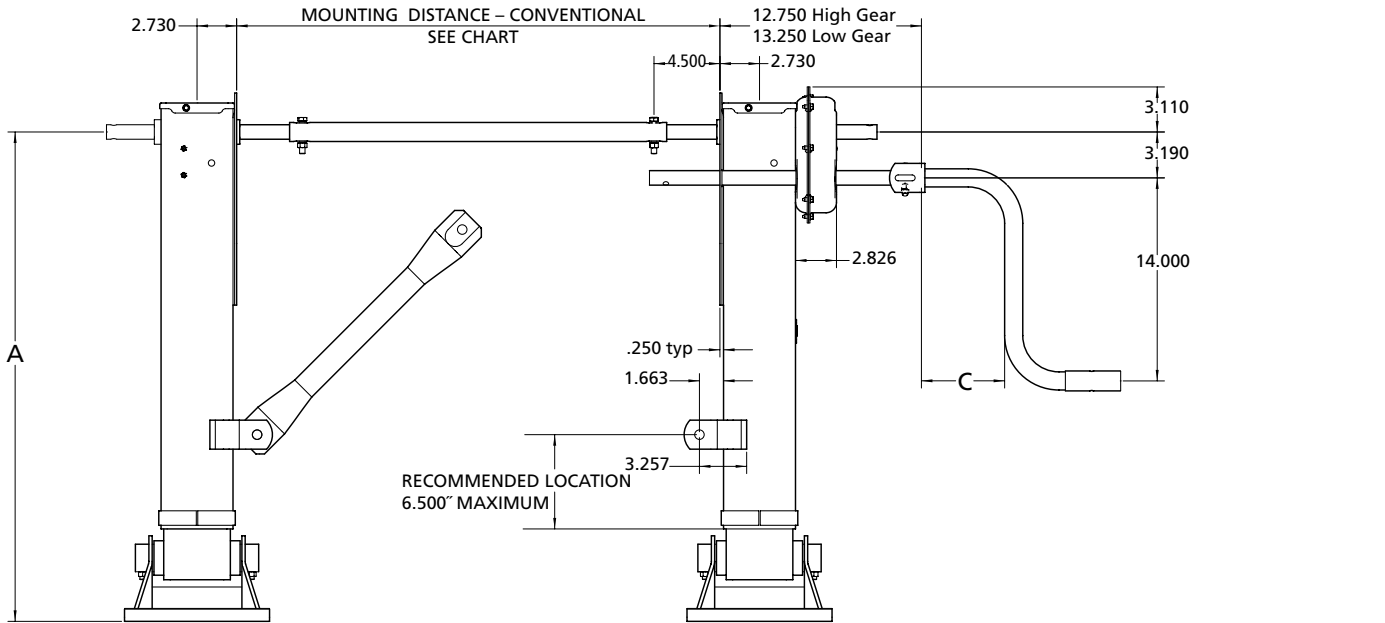


For Models Prior to January 2013

* All Parts Sold Individually



NO.	DESCRIPTION	PART NO.	SPEED	
			ONE	TWO
6	"Pin- DIA .38" x 2"	XA-CRP-V-06635	1	2
9	"Groove Pin- DIA .38" x1.50"	XB-GP-014-18	1	1
12	Jack Shaft - Universal Mount	2111100000430	1	-
	- Beam Mount- 6.5"	2111100000460	1	-
	- I-Beam Mount- 10.0"	2111100000470	1	-
	- Conventional Mount	2111100000440	1	-
	- Reverse Mount	2111100000450	1	-
17	"Screw, Hex Cap .38" -16 x 2.25" "Lg GR5"	XB-HHC-050-42	1	2
18	"Self Locking Nut .38" -16 - Sandshoe	XB-SLN-012-04	2	3
	- Low Profile RCF	XB-SLN-012-04	3	4
19	"Washer .38" " Std Type A"	XB-PW-016-03	-	2
23	Jack Shaft - Universal Mount	2111100000480	-	1
	- Beam Mount- 6.5"	2111100000510	-	1
	- I-Beam Mount- 10.0"	2111100000520	-	1
	- Conventional Mount	2111100000490	-	1
	- Reverse Mount	2111100000500	-	1
24	Gear Drive, High Speed - Machined	2040100000060	-	1
25	Gear Drive, Low Speed - Machined	2040100000050	-	1
	"Pin,Groove .375x2" " Type E"	XB-GP-052-21	-	1



ATLAS 65 DIMENSIONS

TRAVEL	4.50" TALL SANDSHOE 10x10, 10x12, 12x12, 16x16		4.50" TALL HD SANDSHOE 10x10, 10x12, 12x12, 12x17		2.00" TALL SANDSHOE 10x10, 10x12, 12x12,		2.00" TALL HD SANDSHOE 10x10		R.C.F. STANDARD		R.C.F. LOW PROFILE		CRANK PART NO.	"C"
	"A"	"B"	"A"	"B"	"A"	"B"	"A"	"B"	"A"	"B"	"A"	"B"		
13.5"	28.85	25.56	28.85	25.56	26.35	25.56	26.35	25.56	27.41	25.56	27.40	25.56	LG0083-01	6.38
15.5"	29.85	26.56	29.85	26.56	27.35	26.56	27.35	26.56	28.41	26.56	28.40	26.56	LG0083-03	12.00
17" MRL	N/A	N/A	N/A	N/A	N/A	N/A	N/A	N/A	29.91	28.06	28.90	28.06		
17"	31.35	28.06	31.35	28.06	28.85	28.06	28.85	28.06	31.91	30.06	31.90	30.06	LG0083-05	18.00
19"	33.85	30.06	33.85	30.06	31.35	30.06	31.35	30.06	32.54	30.06	32.50	30.06		

MOUNTING DISTANCES

REVERSE MOUNTING DISTANCE	96" WIDE TRAILER	102" WIDE TRAILER	CONVENTIONAL MOUNTING DISTANCE	96" WIDE TRAILER	102" WIDE TRAILER
Maximum	84.00	90.00	Maximum	67.50	73.50
Minimum - LG0083-01	78.00	84.00	Minimum - LG0083-01	61.50	67.50
Minimum - LG0083-03	66.75	72.75	Minimum - LG0083-03	50.25	56.25
Minimum - LG0083-05	54.75	60.75	Minimum - LG0083-05	38.25	44.25

Type Code Description

LG6

0

0

0

00

0

0

SHAFTS

0	Standard Universal
1	Standard Inside
2	Outside I-Beam 6.5"
3	Outside I-Beam 10"
4	Standard Outside

LUBE/WARRANTY

0	Std. Lube Std. Warranty
1	No Lube Std. Warranty
2	No Lube 10 Yr. Warranty

FOOTWARE

99	No Foot
98	Leg with Axle - No Foot
97	Sand Shoe 4.5" x 10" x 10"
96	Sand Shoe 4.5" x 10" x 12"
95	Sand Shoe 2" x 10" x 10"
94	Sand Shoe 2" x 10" x 12"
93	Sand Shoe HD 4.5" x 12" x 12"
92	Standard Foot RCF 10" x 10"
91	Low Profile RCF
90	For RCF - No Foot
89	Low Profile RCF - No Foot
88	Sand Shoe 4.5" x 16" x 16"
87	Sand Shoe LP 2" x 12" x 12"
86	Sand Shoe STD 4.5" x 12" x 12"
85	Sand Shoe HD 4.5" x 12" x 17"
84	Sand Shoe HD 4.5" x 12" x 10"
83	Sand Shoe HD-LP 2" x 10" x 10"
82	Sand Shoe HD 4.5" x 10" x 10"
81	Sand Foot RCF 12" x 12"
80	Sand Shoe 4.5" x 18" x 16"
79	Sand Shoe LP 2" x 16" x 16"

MOUNTING PLATE

0	Standard Taper .656" Ø
1	Standard Taper .531" Ø

TRAVEL

3	13.50"
5	15.50"
6	17" - MRL
7	17"
9	19"

LEG ASSEMBLY

0	Sets
1	Left Hand
2	Right Hand

MODEL

LG6	ATLAS 65
-----	----------

Serial Tag

HOLLAND

PART NUMBER — [1025300006450]

TYPE CODE — [LG6270970]

0527009AUSA

YEAR

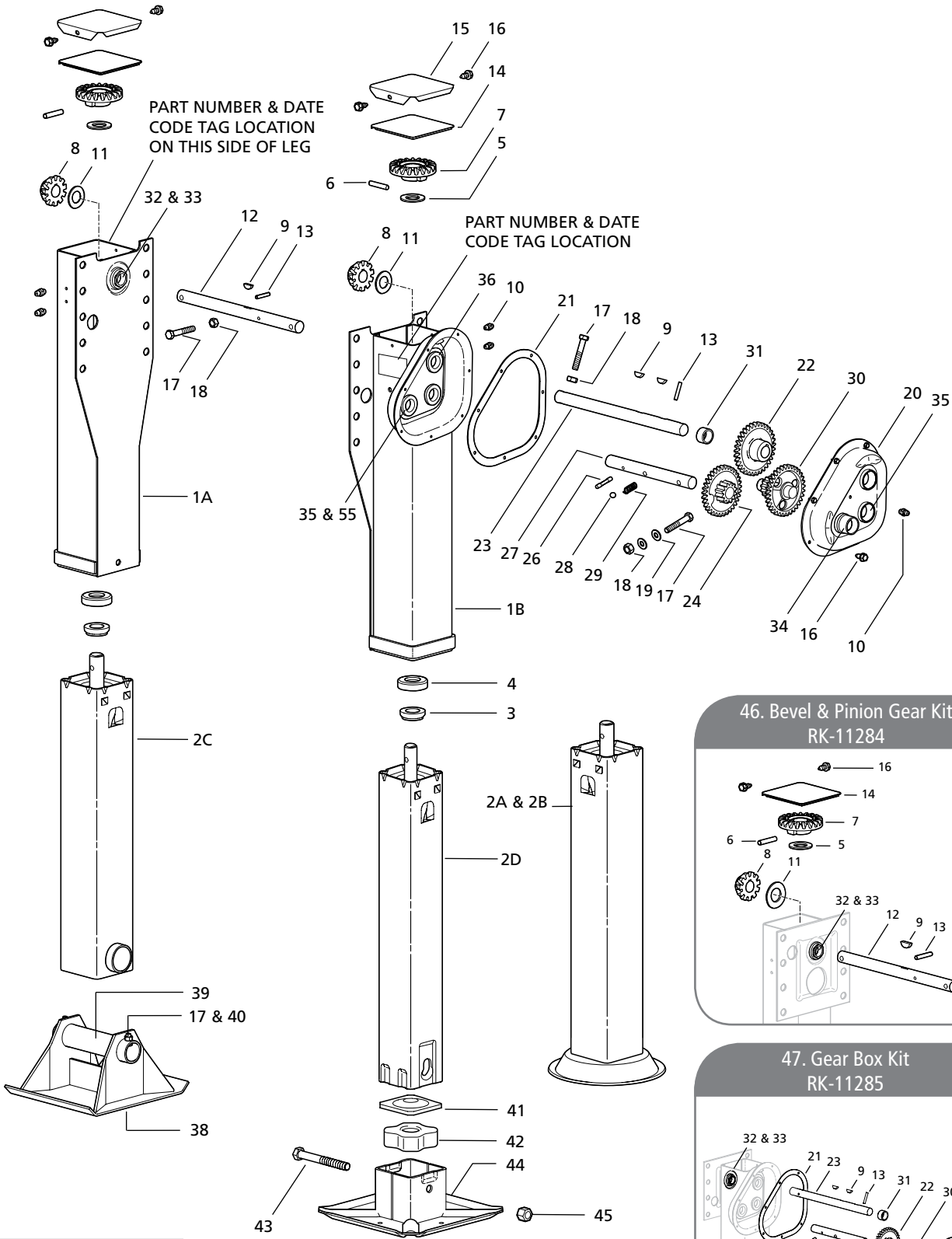
05

CALENDAR DAY

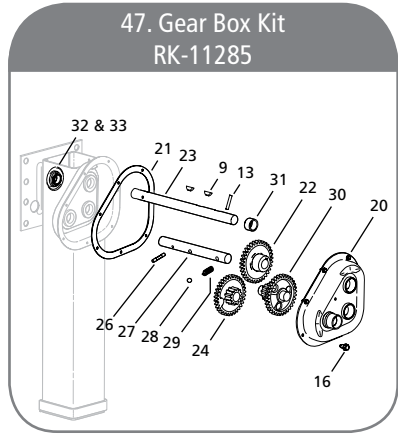
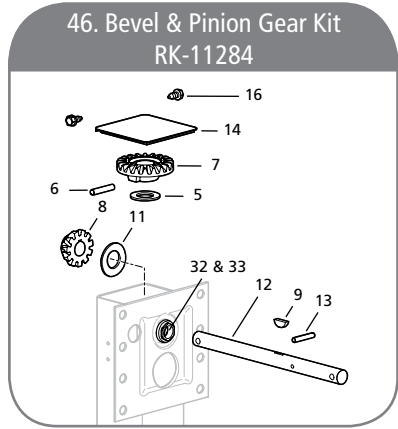
27

NOTE:

For additional information on your landing gear, contact SAF-HOLLAND Customer Service with your part number.



**DISCONTINUED MODEL
SERVICE PARTS ONLY**
As of 03/2012 50000 model
legs were replaced with the
ATLAS 65 model.



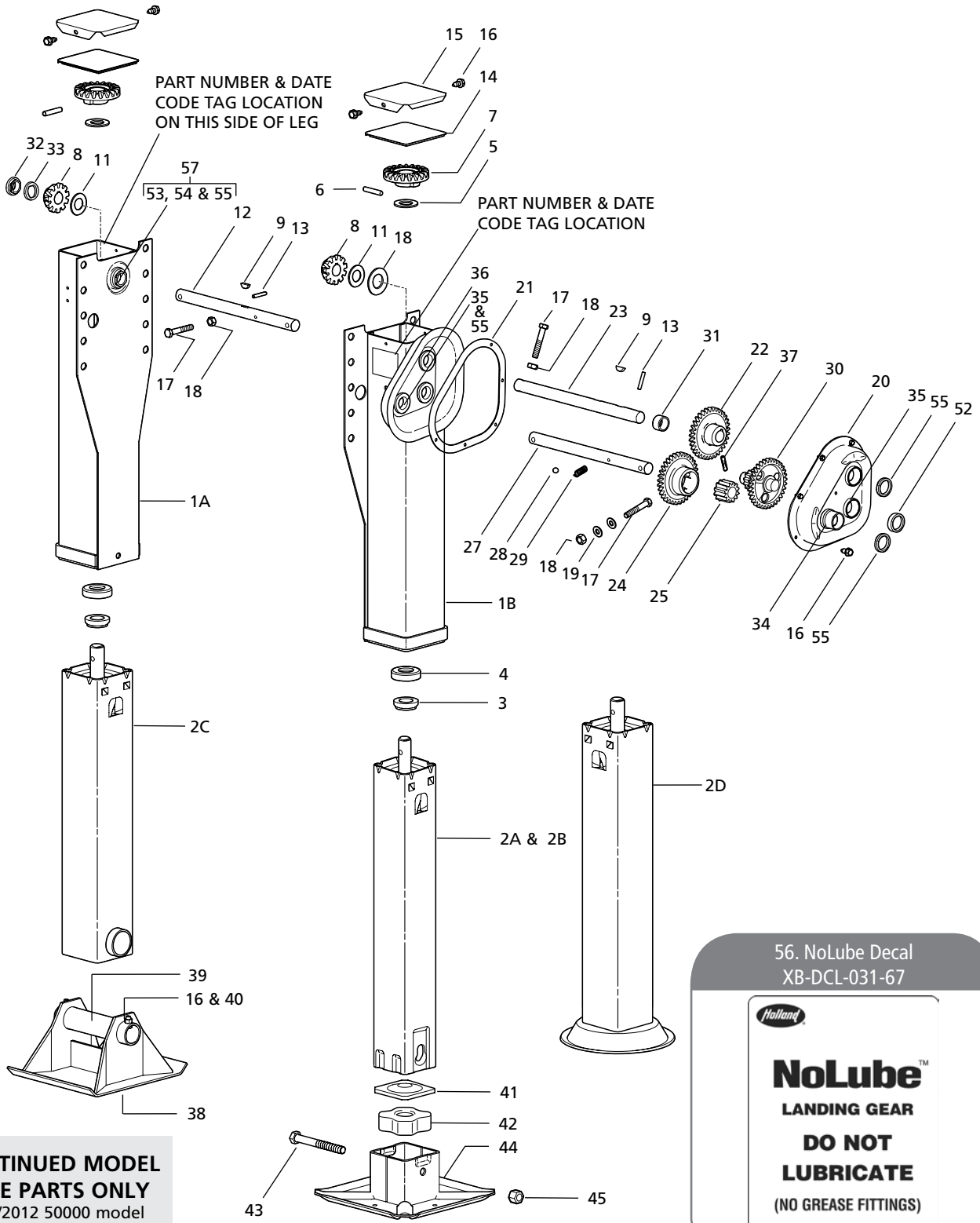


NO.	DESCRIPTION	RETRACT TUBE CODE	TRAVEL				
			13.50"	15.50"	17"	17" *CAN	19"
2A	Retract Tube Ass'y - DIA 10" Shock Foot	0 or *6	LG0569-02	N/A	LG0569	LG0569-01	LG0569-04
2B	Retract Tube Ass'y - DIA 12" Shock Foot	0 or *6	LG0580-01	N/A	LG0580-02	LG0580-05	LG0580-03
2C	Retract Tube Ass'y - Axle Socket	0	LG0574-01	LG0574-05	LG0574-02	N/A	LG0574-04
2D	Retract Tube Ass'y - RCF	0 or 5	N/A	N/A	LG0747-504	N/A	LG0747-505

NO.	DESCRIPTION	PART NO.	SPEED	
			ONE	TWO
1A	Upper Housing LH	N/A	-	-
1B	Upper Housing RH	N/A	-	-
3	Collar	XB-LG0544	1	1
4	Thrust Bearing	XB-BRG-013-77	1	1
5	Washer - FL 2"OD x 1.19" ID x .13"THK	XB-PW-016-62	1	1
6	Pin - DIA .38" x 2"	XB-CRP-V-06635	1	1
7	Bevel Gear	XA-LG0570-01	1	1
8	Pinion Gear	LG0531-02	1	1
9	Key - Woodruff .25" x .88"	XB-KEY-018-02	1	2
10	Ftg - Grease .25"-28 Self Tapping	XB-GRF-022-16	2	3
11	Washer - Fl 1.88"OD x 1.02"ID x .06" THK	XB-PW-016-19	1	1
12	Jack Shaft LH - Universal Mount	LG0259	1	-
	- I-Beam Mount	LG0369-01	1	-
	- Conventional Mount	LG0369-05	1	-
	- Reverse Mount	LG0436	1	-
13	Pin - Spring DIA .25" x 1.5"	XB-SP-014-27	1	1
14	Gasket	XB-LG0413	1	1
15	Cover	LG0264	1	1
16	Self-Tapping Screw - .25"-20 x .5" Lg	XB-STS-008-11	2	9
17	Screw - Hex Hd .38"-16 x 2.25" Gr5	XB-HHC-050-42	1	2
18	Self-Locking Nut - .38"-16	XB-SLN-012-04	2	3
19	Washer - .38" Std. Type A	XB-PW-016-03	-	2
20	Gearbox Half, Outside w/Hole for Grease Fitting	XB-LG0663	-	1
20	Gearbox Half, Outside w/Grease Fitting Included	LG0663	-	1
21	Gearbox Gasket	XB-LG0428	-	1
22	Output Gear	LG0543-01	-	1
23	Jackshaft RH - Universal Mount	LG0260	-	1
	- I-Beam Standard Mount	LG0370-01	-	1
	- Conventional Mount	LG0370-05	-	1
	- Reverse Mount	LG0438	-	1
24	Input Gear - High & Low	LG0541-01	-	1
26	Groove Pin - .25" x 1.50" Lg Type E	XB-GP-014-07	-	1
27	Shift Shaft - Universal Mount	LG0261-01	-	1
	- I-Beam & Conventional Mount	LG0371-01	-	1
	- Reverse Mount	LG0437	-	1
28	Shift Lock Ball	XB-BAL-023-07	-	1
29	Shift Lock Spring	XB-SPG-020-36	-	1
30	Idler Gear	XB-LG0542-01	-	1
31	Spacer Bushing	XB-LG0219-01	-	1
32	Retainer - Hex Lock	LG2094	2	1
33	Hex Lock Boss	LG2095	2	1
34	Shift Lock Boss	XB-LG0658-01	-	1
35	Gearbox Boss	XB-LG0659-01	-	4
36	Gearbox Boss - Inside Half	XB-LG0660	-	1

NO.	DESCRIPTION	PART NO.	SPEED	
			ONE	TWO
38	Sandshoe - 10" x 10" x 4.50"	50616001	1	1
	- 10" x 12" x 4.50"	50616000	1	1
	- 10" x 10" x 2.00"	50616008	1	1
	- 10" x 12" x 2.00"	50616007	1	1
39	Sandshoe Axle - Hollow Axle 8.50" Lg	LG0070-02	1	1
40	Screw - Hex Cap .38"-16 x .25" Gr5	XB-HHC-050-69	1	1
41	Cushion Foot Plate	LG0725	1	1
42	Cushion Foot Rubber	XB-LG0726	1	1
43	Bolt - Hex Head .63" -11 x 5.50"	XB-HHB-050-70	1	1
44	R.C.F. - 10" x 10"	LG0732-01	1	1
45	Self-Locking Nut - .63"-11	XB-SP0012-10	1	1
46	Bevel & Pinion Gear Repair Kit	RK-11284	1	1
47	Gear Box Repair Kit	RK-11285	-	1
48	Black Armour™ Touchup Kit (not shown)	RK-10919	1	1

For technical assistance please go to www.safholland.us or call 800.876.3929



DISCONTINUED MODEL SERVICE PARTS ONLY
 As of 03/2012 50000 model legs were replaced with the ATLAS 65 model.



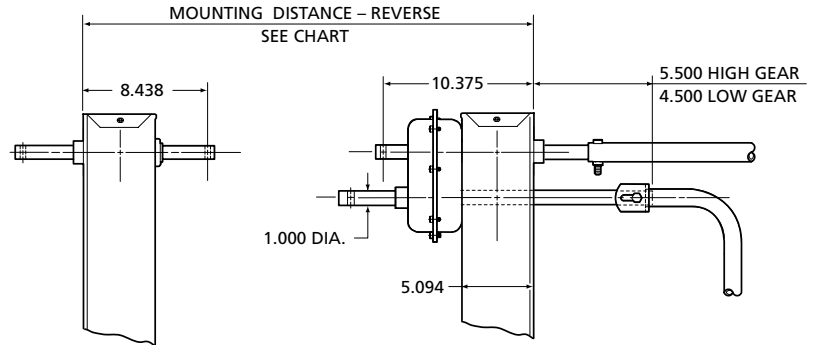
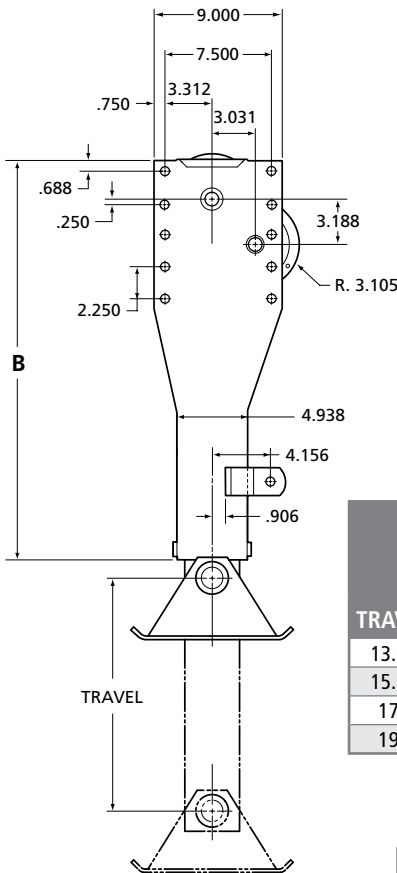
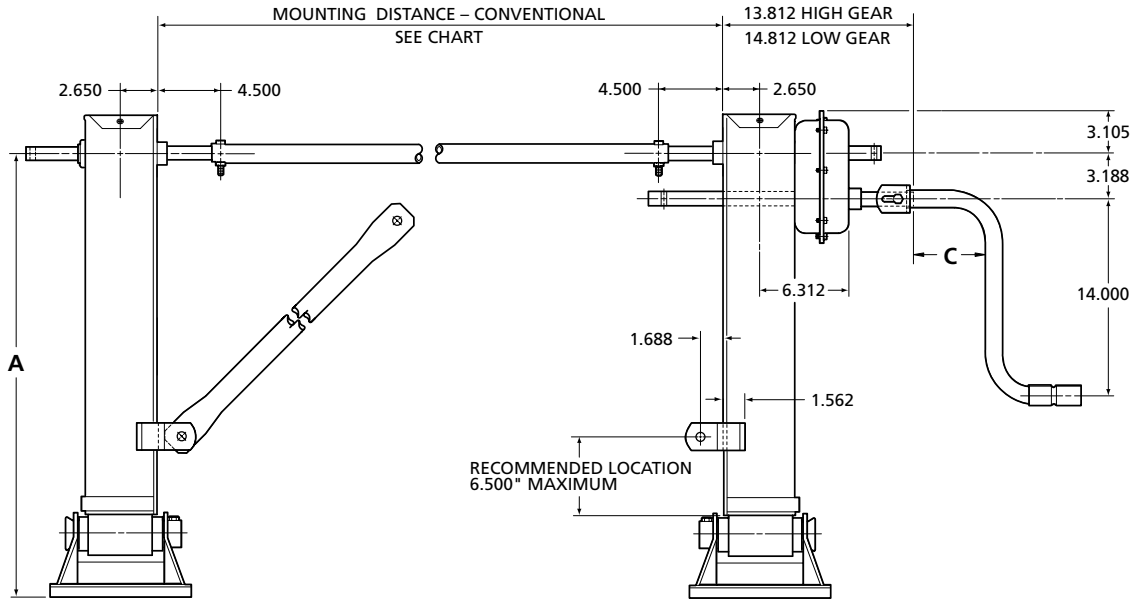


NO.	DESCRIPTION	RETRACT TUBE CODE	TRAVEL				
			13.50"	15.50"	17"	17" *CAN	19"
2A	Retract Tube Ass'y - DIA 10" Shock Foot	0 OR *6	N/A	N/A	LG0569-20	LG0569-21	LG0569-22
2B	Retract Tube Ass'y - DIA 12" Shock Foot	0 OR *6	N/A	N/A	LG0580-22	LG0580-23	LG0580-24
2C	Retract Tube Ass'y - Axle Socket	0	LG0574-21	LG0574-25	LG0574-22	N/A	LG0574-24
2D	Retract Tube Ass'y - RCF	0 OR 5	N/A	N/A	LG2744-21	N/A	LG2744-22

NO.	DESCRIPTION	PART NO.	SPEED	
			ONE	TWO
1A	Upper Housing LH	N/A	-	-
1B	Upper Housing RH	N/A	-	-
3	Collar	XB-LG0544	1	1
4	Thrust Bearing	XB-BRG-013-77	1	1
5	Washer - FL 2" OD x 1.19" ID x .13" THK	XB-PW-016-62	1	1
6	Groove Pin - DIA .38" x 2"	XB-CRP-V-06635	1	1
7	Bevel Gear	XA-LG0570-01	1	1
8	Pinion Gear	LG0531-02	1	1
9	Key - Woodruff .25" x .88"	XB-KEY-018-02	1	2
11	Washer - Fl 1.88" OD x 1.02" ID x .06" THK	XB-PW-016-19	1	1
12	Jack Shaft LH - Universal Mount	LG0259	1	-
	- I-Beam Mount	LG0369-01	1	-
	- Conventional Mount	LG0369-05	1	-
	- Reverse Mount	LG0436	1	-
13	Pin - Spring DIA .25" x 1.50"	XB-SP-014-27	1	1
14	Gasket	XB-LG0413	1	1
15	Cover	LG0264	1	1
16	Self-Tapping Screw - .25"-20 x .50" Lg.	XB-STS-008-11	2	9
17	Screw - Hex Hd .38"-16 x 2.25" Lg. Gr5	XB-HHC-050-42	1	2
18	Self-Locking Nut - .38"-16	XB-SLN-012-04	2	3
19	Washer - .38" Std. Type A	XB-PW-016-03	-	2
20	Gearbox Half Assy - Outside - Sealed	LG0663-11	-	1
21	Gearbox Gasket	XB-LG0428	-	1
22	Output Gear	LG0543-01	-	1
23	Jackshaft RH - Universal Mount	LG0260	-	1
	- I-Beam Mount	LG0370-01	-	1
	- Conventional Mount	LG0370-05	-	1
	- Reverse Mount	LG0438	-	1
24	Input Gear - High	XD-LG0856	-	1
25	Input Gear - Low	XB-LG0857-01	-	1
27	Shift Shaft - Universal EZ Shift	LG0861-01	-	1
	- I-Beam & Conventional EZ Shift	LG0859-01	-	1
	- Reverse EZ Shift	LG0858	-	1
28	Shift Lock Ball	XB-BAL-023-07	-	1
29	Shift Lock Spring	XB-SPG-020-36	-	1
30	Idler Gear	XB-LG0542-01	-	1
31	Spacer Bushing	XB-LG0219-01	-	1
32	Retainer - Hex Lock	XB-LG1570	1	-
33	Hex Lock Boss w/Seals	LG0559-10	1	-
34	Shift Lock Boss	XB-LG0658-01	-	1
35	Gearbox Boss	XB-LG0659-01	-	4
36	Gearbox Boss - Inside Half	XB-LG0660	-	1
37	Groove Pin - .25" x 1.25" Type E	XB-GP-052-22	-	1

NO.	DESCRIPTION	PART NO.	SPEED	
			ONE	TWO
38	Sandshoe - 10" x 10" x 4.50"	50616001	1	1
	- 10" x 12" x 4.50"	50616000	1	1
	- 10" x 10" x 2.00"	50616008	1	1
	- 10" x 12" x 2.00"	50616007	1	1
39	Sandshoe Axle - Hollow Axle 8.50" Lg	LG0070-02	1	1
40	Screw - Hex Cap .38"-16 x .75" GR5	XB-HHC-050-69	1	1
41	Cushion Foot Plate	LG0725	1	1
42	Cushion Foot Rubber	XB-LG0726	1	1
43	Bolt - Hex Head .63" -11 x 5.50"	XB-HHB-050-70	1	1
44	R.C.F. - 10" x 10"	LG0732-01	1	1
45	Self-Locking Nut - .63"-11	XB-SP0012-10	1	1
52	Freeze Plug	XB-SEL-030-22	-	1
53	Bushing	XB-LG0219-02	1	1
54	Short Boss	LG1326	1	1
55	Oil Seal	XB-SEL-030-17	1	4
56	NoLube Decal	XB-DCL-031-67	-	1
57	Bearing Boss Assy w/Oil Seal	LG1367-10	1	1
58	Black Armour™ Touchup Kit (not shown)	RK-10919	1	1

For technical assistance please go to www.safholland.us or call 800.876.3929

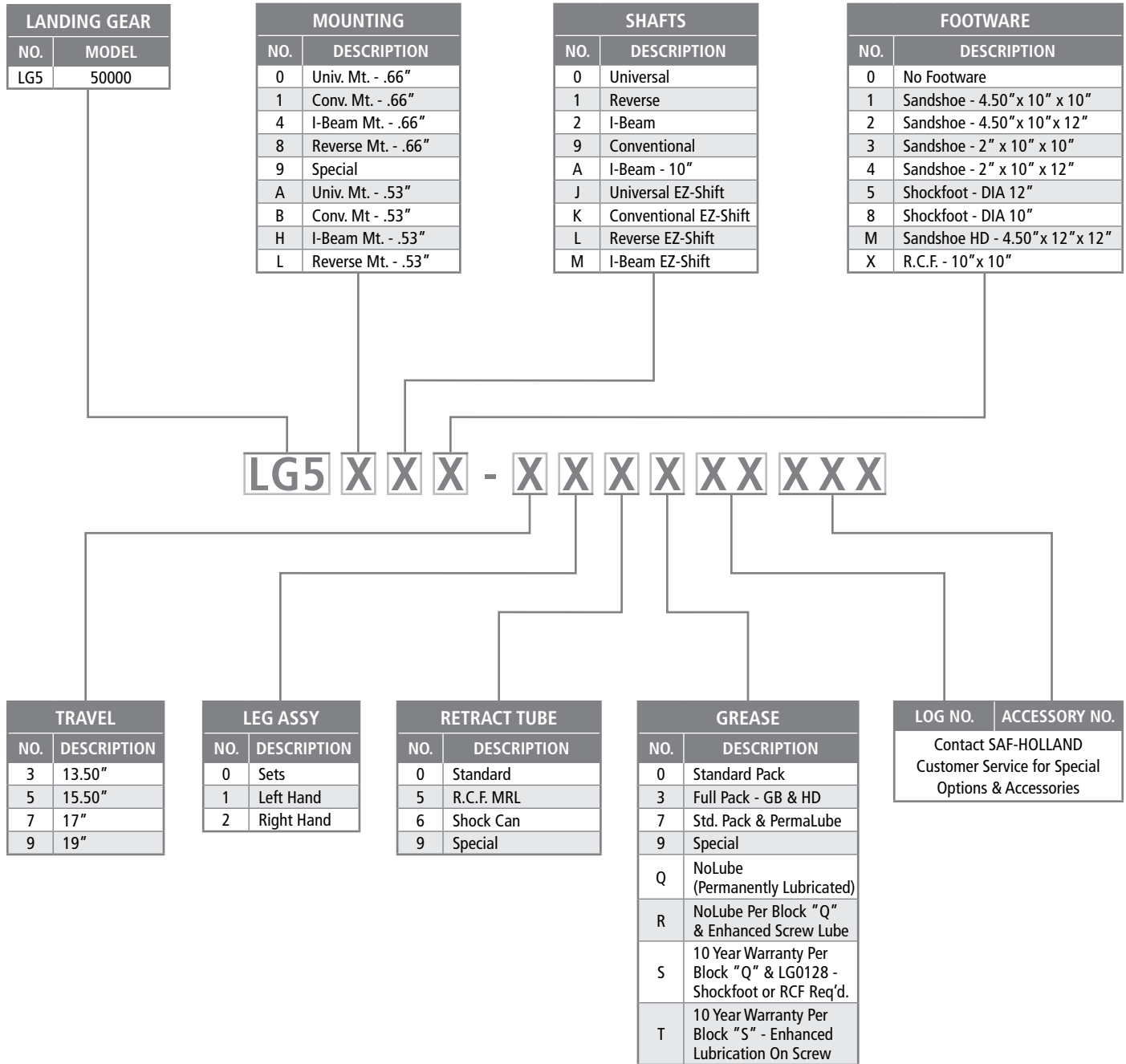


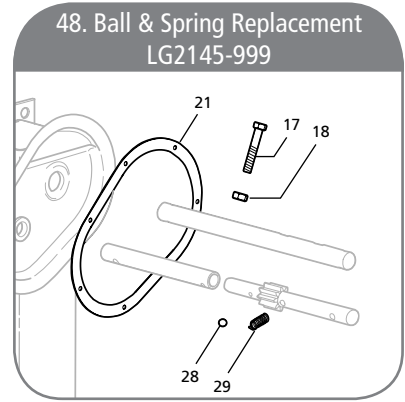
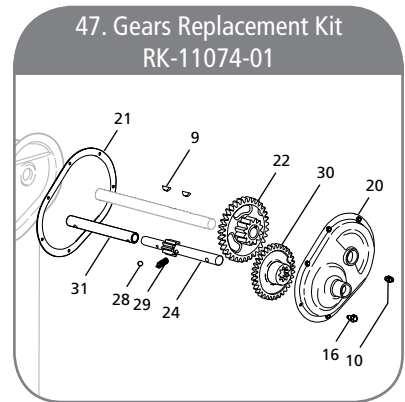
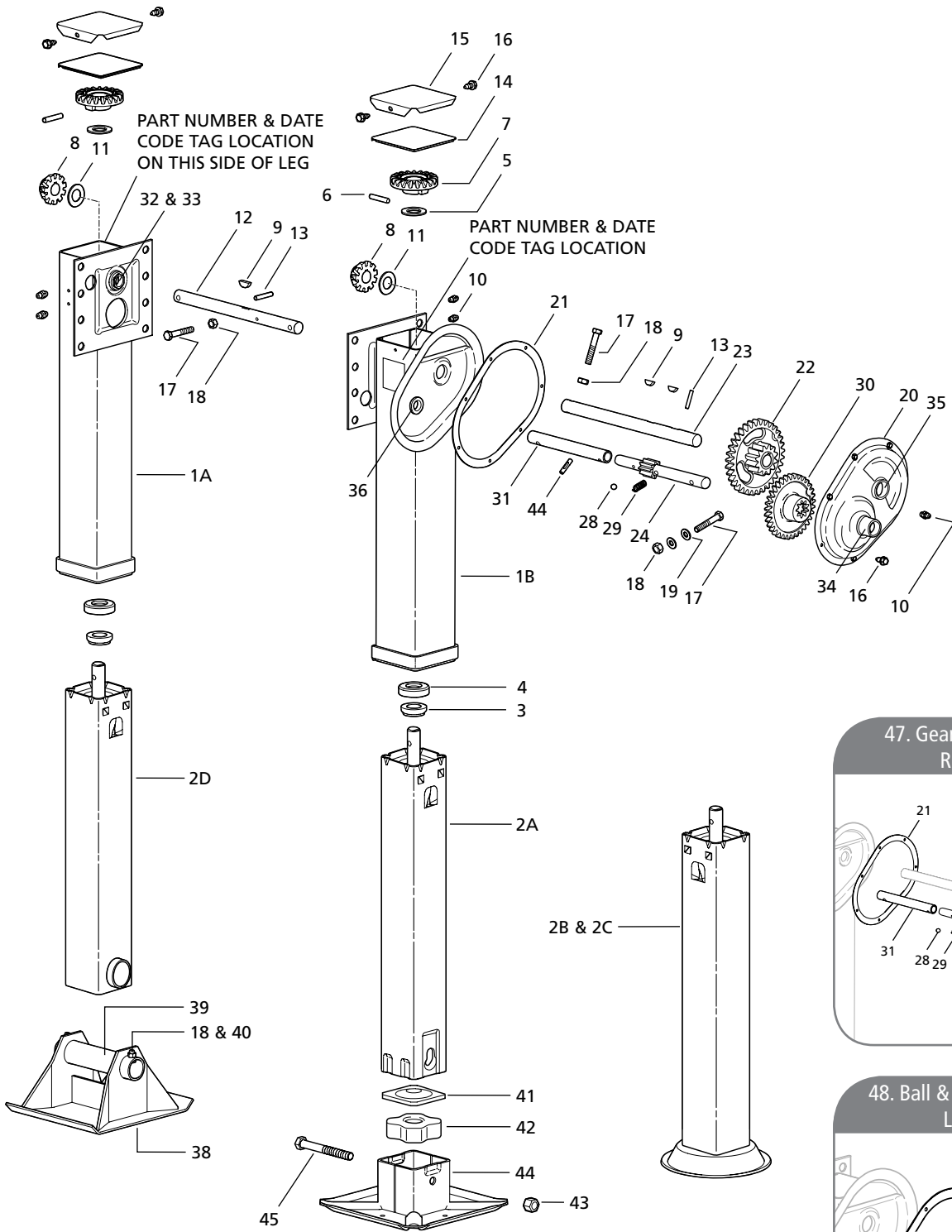
50000 DIMENSIONS

TRAVEL	10x10x4.50 & 10x12x4.50 Sandshoe		10x10x2 & 10x12x2 Sandshoe		SHOCKFOOT		SHOCKFOOT SHOCK CAN		R.C.F. - STD		R.C.F. - MRL		CRANK PART NO.	"C"
	"A"	"B"	"A"	"B"	"A"	"B"	"A"	"B"	"A"	"B"	"A"	"B"		
13.5"	28.69	25.56	26.19	25.56	29.00	28.56	N/A	N/A	27.25	25.56	27.25	25.56	LG0083-01	5.25
15.5"	29.69	26.56	27.19	26.56	N/A	N/A	N/A	N/A	28.25	26.56	28.25	26.56	LG0083-03	10.88
17"	31.19	28.06	28.69	28.06	31.75	30.06	28.75	28.06	31.75	30.06	29.75	28.06	LG0083-05	16.88
19"	33.69	30.06	31.19	30.06	34.25	30.56	N/A	N/A	32.38	30.06	N/A	N/A		

MOUNTING DISTANCES

REVERSE MOUNTING DISTANCE	96" WIDE TRAILER	102" WIDE TRAILER	CONVENTIONAL MOUNTING DISTANCE	96" WIDE TRAILER	102" WIDE TRAILER
Maximum	85.000	91.000	Maximum	66.38	72.38
Minimum - LG0083-01	79.000	85.000	Minimum - LG0083-01	60.38	66.38
Minimum - LG0083-03	67.750	73.750	Minimum - LG0083-03	49.125	55.125
Minimum - LG0083-05	55.750	61.750	Minimum - LG0083-05	37.125	43.125





NOTE: CLOTH BAG & UTILITY CLOTH INCLUDED (NOT SHOWN)

**DISCONTINUED MODEL
SERVICE PARTS ONLY**

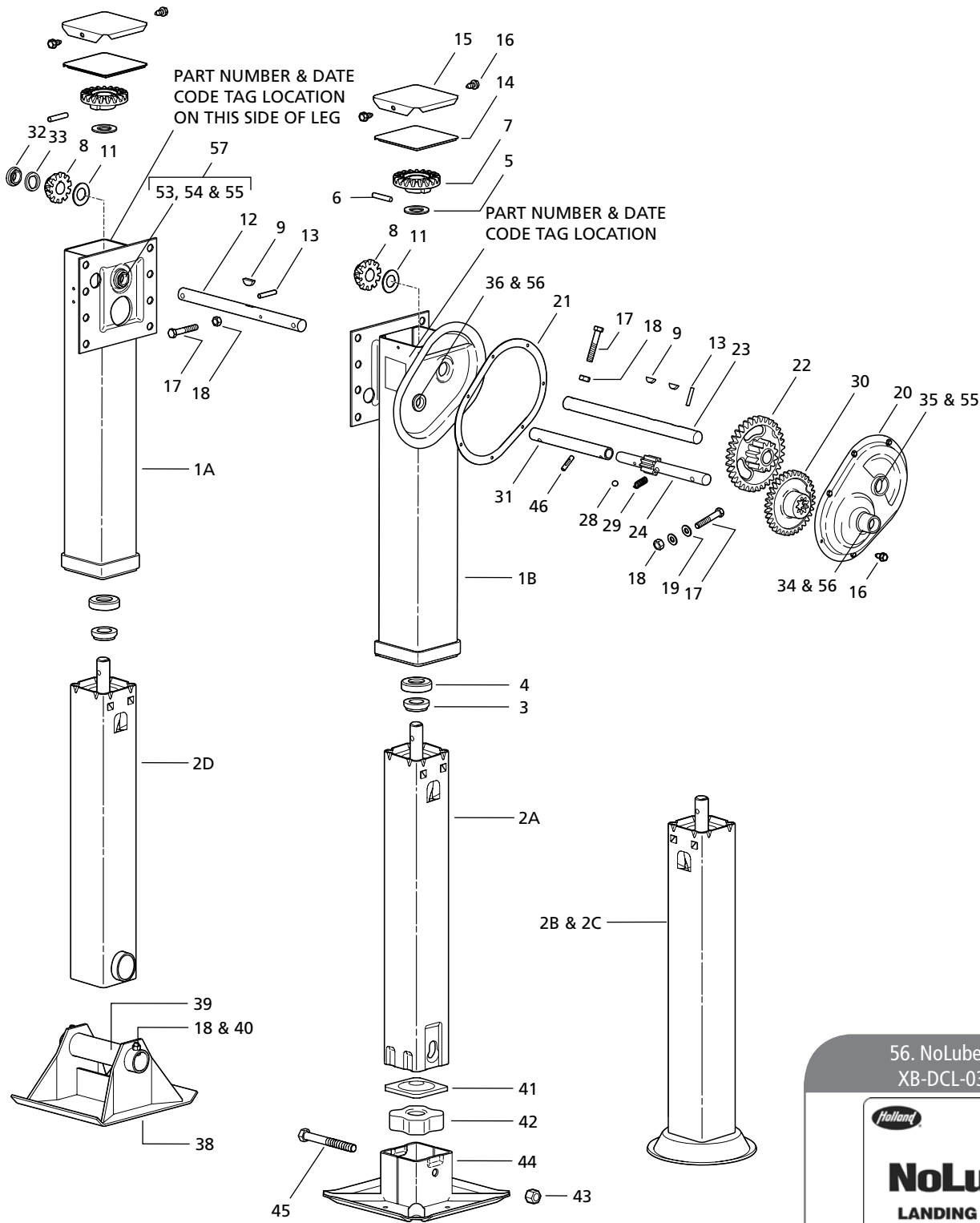
Please contact Customer Service for part availability
800.876.3929



NO.	DESCRIPTION	PART NO.	SPEED	
			ONE	TWO
1A	Upper Housing LH	N/A	1	-
1B	Upper Housing RH	N/A	-	1
2A	Retract Tube - RCF	N/A	1	1
2B	Retract Tube - 10" Shockfoot	N/A	1	1
2C	Retract Tube - 12" Shockfoot	N/A	1	1
2D	Retract Tube - Sandshoe	N/A	1	1
3	Collar	XB-LG0544	1	1
4	Thrust Bearing	XB-BRG-013-77	1	1
5	Washer - FL 2"OD x 1.19" ID x .13" THK	XB-PW-016-62	1	1
6	Pin - .38" x 2.00"	XA-CRP-V-06635	1	1
7	Bevel Gear	XA-LG0570-01	1	1
8	Pinion Gear	XB-LG1823-01	1	1
9	Woodruff Key - .25" x .82"	XB-KEY-018-02	1	2
10	Grease Fitting - .25"-28 - Self-Tapping	XB-GRF-022-16	2	3
11	Washer - FL 1.88"OD x 1.02"ID x .63"THK	XB-PW-016-19	1	1
12	Jack Shaft LH - Universal Mount	LG0927	1	-
	- I-Beam Mount	LG0946	1	-
	- Conventional Mount	LG0946-02	1	-
	- Reverse Mount	LG0948	1	-
13	Spring Pin - .25" x 1.50"	XB-SP-014-27	1	1
14	Gasket	XB-LG0893	1	1
15	Cover	XA-LG0880	1	1
16	Self-Tapping Screw - .25"-20 x .50" Lg	XB-STS-008-11	2	9
17	Screw - Hex Cap - .38"-16 x 2.25" Lg GR5	XB-HHC-050-42	1	2
18	Self-Locking Nut - .38"-16	XB-SLN-012-04	2	3
19	Washer - .38" Std Type A	XB-PW-016-03	-	2
20	Gearbox Half - Outside w/Hole for Greasefitting	LG0944-100	-	1
21	Gearbox Gasket	XB-LG0891	-	1
22	Output Gear	LG0936-51	-	1
23	Jack Shaft RH - Universal Mount	LG2147	-	1
	- I-Beam Mount	LG2187	-	1
	- Conventional Mount	LG2187-01	-	1
	- Reverse Mount	LG2197	-	1
24	Input Gear - Low - Universal, I-Beam, Conv. Mount	LG2463-01	-	1
	- Reverse Mount	LG2464-01	-	1
28	Shift Lock Ball	XB-BAL-023-07	-	1
29	Shift Lock Spring	XB-SPG-020-36	-	1
30	Input Gear - High	LG2465-01	-	1
31	Shift Shaft Extension - Universal, Reverse	LG2462	-	1
32	Retainer - Hex Lock	LG2094	2	1
33	Boss - Hex Lock	LG2095	2	1
34	Shift Lock Boss	XB-LG0658-01	-	1
35	Gearbox Boss	XB-LG0659-01	-	1
36	Gearbox Boss - Inside Half	XB-LG0931	-	1
38	Sandshoe - 10" x 10" x 4.50"	LG0055	1	1
	- 10" x 12" x 4.50"	LG0050	1	1
	- 10" x 10" x 2"	LG0056	1	1
	- 10" x 12" x 2"	LG0051	1	1
39	Sandshoe Axle - Hollow Axle 8.50" Lg	LG0070-02	1	1

NO.	DESCRIPTION	PART NO.	SPEED	
			ONE	TWO
40	Screw - Hex Cap - .38"-16 x .75" GR5	XB-HHC-050-69	1	1
41	Cushion Foot Plate	LG0725	1	1
42	Cushion Foot Rubber	XB-LG0726	1	1
43	Bolt - Hex Head - .63"-11 x 5.50"	XB-HHB-050-70	1	1
	R.C.F. - 10" x 10"	LG0718-01	1	1
	- DIA 12"	LG0740-01	1	1
44	- DIA 10"	LG0732-01	1	1
	Self-Locking Nut - .63"-11	XB-SP0012-10	1	1
45	Self-Locking Nut - .63"-11	XB-SP0012-10	1	1
46	Groove Pin - .25" x 1.13" Type E - Univ & Rev.	XB-GP-052-49	-	1
47	Gears Replacement Kit	RK-11074-01	-	1
48	Ball & Spring Replacement Kit	LG2145-999	-	1
55	Oil Seal	XB-SEL-030-17	-	1

For technical assistance please go to www.safholland.us or call 800.876.3929



**DISCONTINUED MODEL
SERVICE PARTS ONLY**
Please contact Customer
Service for part availability
800.876.3929

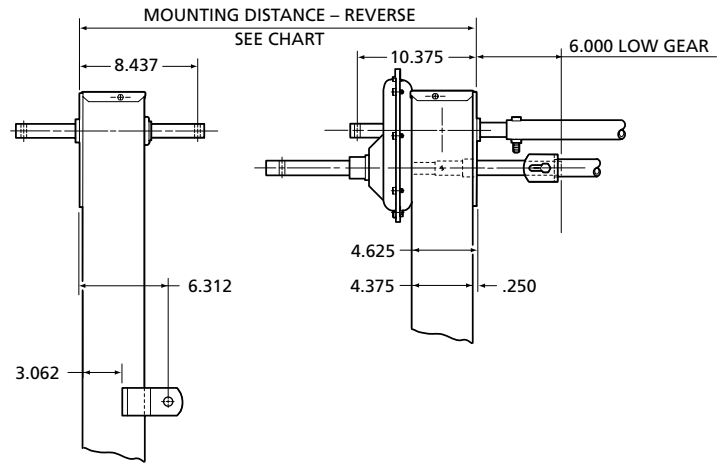
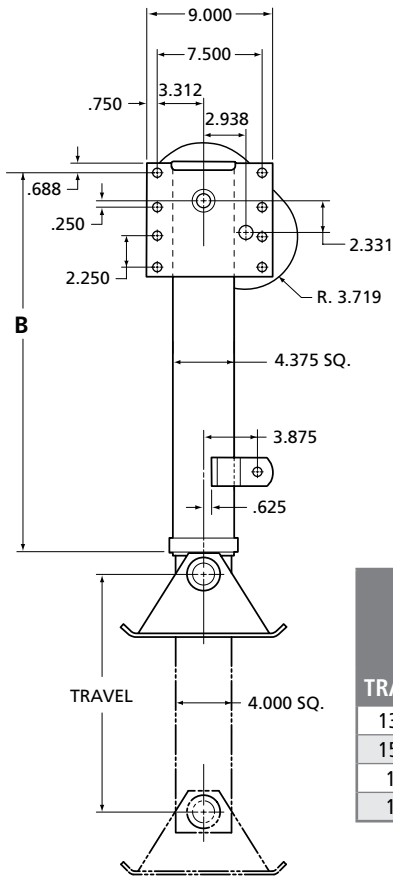
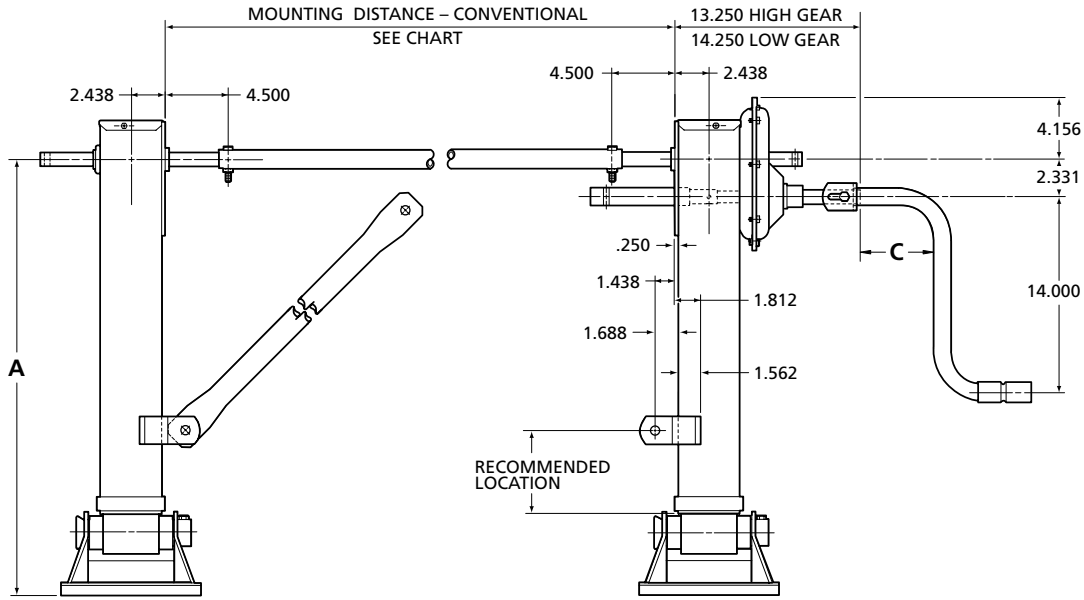




NO.	DESCRIPTION	PART NO.	SPEED	
			ONE	TWO
1A	Upper Housing LH	N/A	1	-
1B	Upper Housing RH	N/A	-	1
2A	Retract Tube - RCF	N/A	1	1
2B	Retract Tube - 10" Shockfoot	N/A	1	1
2C	Retract Tube - 12" Shockfoot	N/A	1	1
2D	Retract Tube - Axle	N/A	1	1
3	Collar	XB-LG0544	1	1
4	Thrust Bearing	XB-BRG-013-77	1	1
5	Washer - FL 2"OD x 1.19" ID x .13"THK	XB-PW-016-62	1	1
6	Groove Pin - DIA .38" x 2"	XA-CRP-V-06635	1	1
7	Bevel Gear	XA-LG0570-01	1	1
8	Pinion Gear	XB-LG1823-01	1	1
9	Woodruff Key - .25" x .88"	XB-KEY-018-02	1	2
11	Washer - 1.88"OD x 1.02"ID x .63"THK	XB-PW-016-19	1	1
12	Jack Shaft LH - Universal Mount	LG0927	1	-
	- I-Beam Mount	LG0946	1	-
	- Conventional Mount	LG0946-02	1	-
	- Reverse Mount	LG0948	1	-
13	Spring Pin - .25" x 1.50"	XB-SP-014-27	1	1
14	Cover Gasket	XB-LG0893	1	1
15	Top Cover	XA-LG0880	1	1
16	Self-Tapping Screw - .25"-20 x .50" Lg	XB-ST5-008-11	2	9
17	Screw - Hex Cap - .38"-16 x 2.25 GR5	XB-HHC-050-42	1	2
18	Self-Locking Nut - .38"-16	XB-SLN-012-04	2	3
19	Washer - .38 Std Type A	XB-PW-016-03	-	2
20	Gearbox Half - Outside w/Hole for Greasefitting	LG0944-10	-	1
21	Gearbox Gasket	XB-LG0891	-	1
22	Output Gear	LG0936-51	-	1
23	Jack Shaft RH - Universal Mount	LG2147	-	1
	- I-Beam Mount	LG2187	-	1
	- Conventional Mount	LG2187-01	-	1
	- Reverse Mount	LG2197	-	1
24	Input Gear - Low - Universal, I-Beam, & Conv. Mount	LG2463-01	-	1
	- Low - Reverse Mount	LG2464-01	-	1
28	Shift Lock Ball	XB-BAL-023-07	-	1
29	Shift Lock Spring	XB-SPG-020-36	-	1
30	Input Gear - High	LG2465-01	-	1
31	Shift Shaft Extension - Universal & Reverse	LG2462	-	1
32	Retainer - Hex Lock	XB-LG1570	1	-
33	Boss - Hex Lock w/Seals	LG0559-10	1	-
34	Shift Lock Boss	XB-LG0658-01	-	1
35	Gearbox Boss	XB-LG0659-01	-	2
36	Gearbox Boss - Inside Half	XB-LG0931	-	1
38	Sandshoe - 10" x 10" x 4.50"	LG0055	1	1
	- 10" x 12" x 4.50"	LG0050	1	1
	- 10" x 10" x 2"	LG0056	1	1
	- 10" x 12" x 2"	LG0051	1	1
39	Sandshoe Axle - Hollow Axle - 8.50 Lg	LG0070-02	1	1

NO.	DESCRIPTION	PART NO.	SPEED	
			ONE	TWO
40	Screw - Hex Cap - .38"-16 x .75" GR5	XB-HHC-050-69	1	1
41	Cushion Foot Plate	LG0725	1	1
42	Cushion Foot Rubber	XB-LG0726	1	1
43	Bolt - Hex Head - .63"-11 x 5.50"	XB-HHB-050-70	1	1
44	R.C.F. - 10" x 10"	LG0732-01	1	1
	- DIA 10"	LG0718-01	1	1
	- DIA 12"	LG0740-01	1	1
45	Self-Locking Nut - .63"-11	XB-SP0012-10	1	1
46	Groove Pin - .25" x 1.13" Type E	XB-GP-052-49	-	1
53	Bushing	XB-LG0219-02	1	1
54	Boss - Short	LG1326	1	1
55	Oil Seal	XB-SEL-030-17	1	3
56	Oil Seal	XB-SEL-030-18	-	1
57	Bearing Boss Ass'y. w/Oil Seal	LG1367-10	1	1
58	NoLube Decal	XB-DCL-031-67	-	1

For technical assistance please go to www.safholland.us or call 800.876.3929



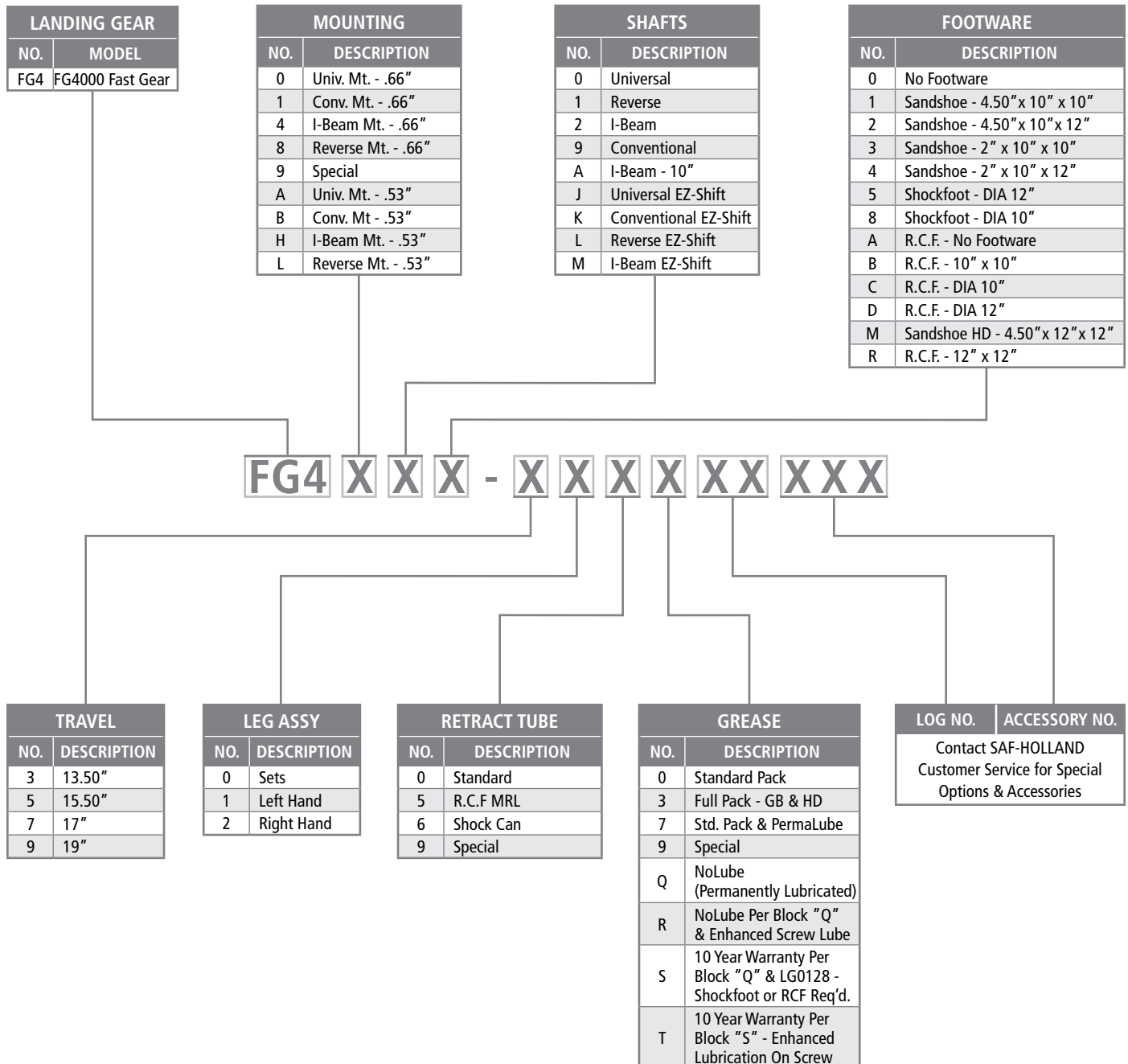
FG4000 DIMENSIONS

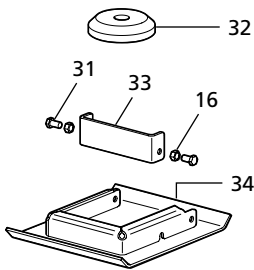
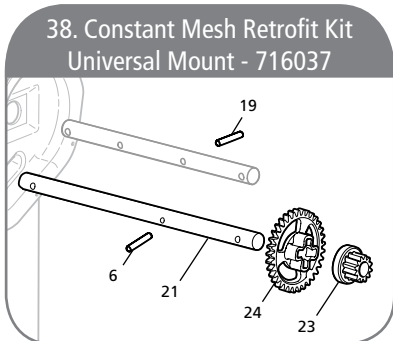
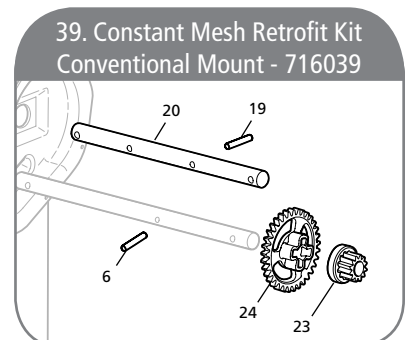
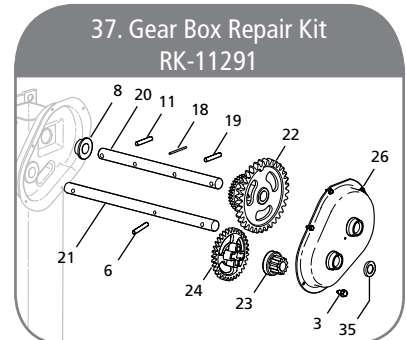
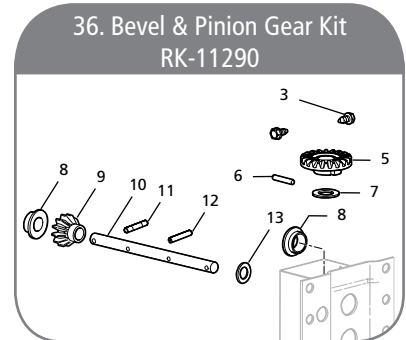
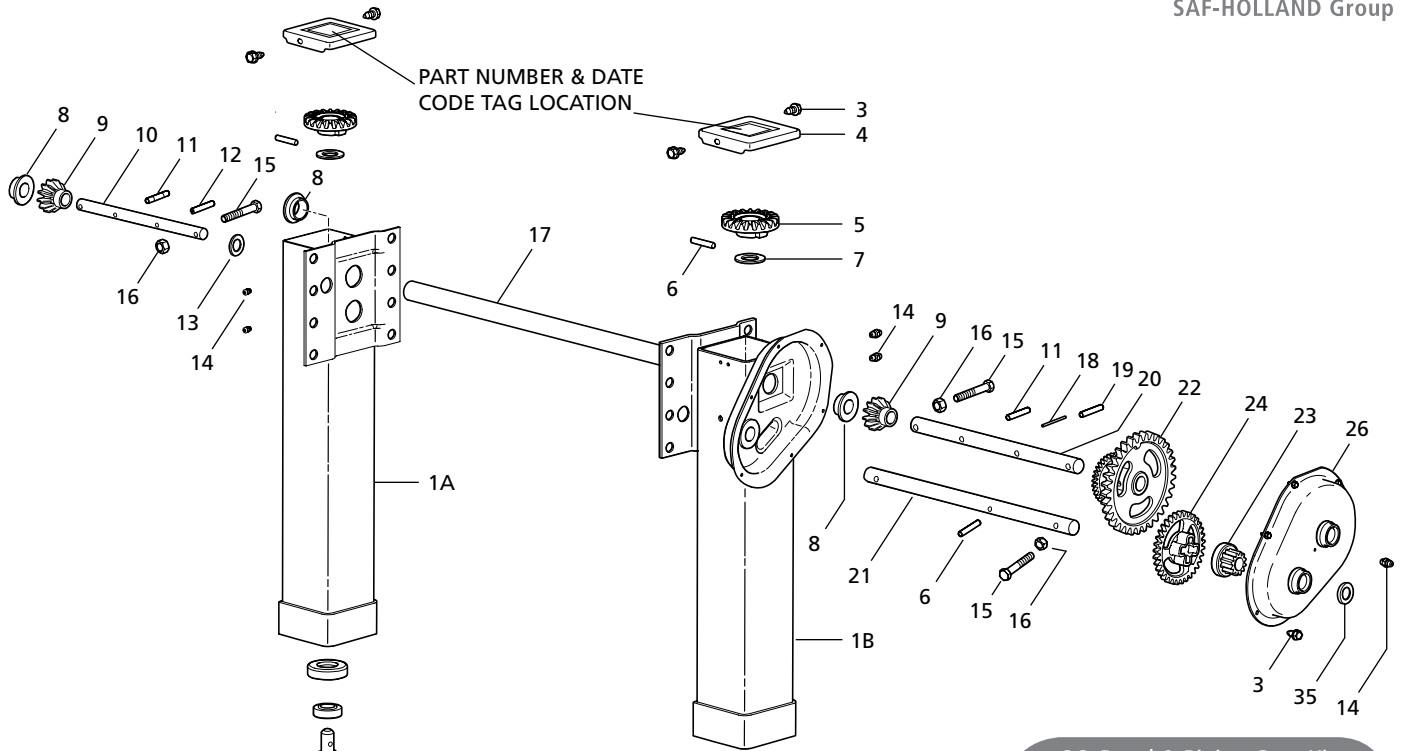
TRAVEL	10x10x4.50 & 10x12x4.50 Sandshoe		10x10x2 & 10x12x2 Sandshoe		SHOCKFOOT		SHOCKFOOT SHOCK CAN		R.C.F. - STD		R.C.F. - MRL		CRANK PART NO.	"C"
	"A"	"B"	"A"	"B"	"A"	"B"	"A"	"B"	"A"	"B"	"A"	"B"		
13.5"	28.69	25.56	26.19	25.56	29.00	28.56	N/A	N/A	27.25	25.56	27.25	25.56	LG0083-01	5.25
15.5"	29.69	26.56	27.19	26.56	N/A	N/A	N/A	N/A	28.25	26.56	28.25	26.56	LG0083-03	10.88
17"	31.19	28.06	28.69	28.06	31.75	30.06	28.75	28.06	31.75	30.06	29.75	28.06	LG0083-05	16.88
19"	33.69	30.06	31.19	30.06	34.25	30.56	N/A	N/A	32.38	30.06	N/A	N/A		

MOUNTING DISTANCES

REVERSE MOUNTING DISTANCE	96" WIDE TRAILER	102" WIDE TRAILER	CONVENTIONAL MOUNTING DISTANCE	96" WIDE TRAILER	102" WIDE TRAILER
Maximum	84.00	90.00	Maximum	67.50	73.50
Minimum - LG0083-01	78.00	84.00	Minimum - LG0083-01	61.50	67.50
Minimum - LG0083-03	66.75	72.75	Minimum - LG0083-03	50.25	56.25
Minimum - LG0083-05	54.75	60.75	Minimum - LG0083-05	38.25	44.25

Service Parts Only.
 Individual Legs and Sets are no longer available.
 Ordering Code provided for reference only.





DISCONTINUED MODEL SERVICE PARTS ONLY
As of 07/2010 CMS2 model legs were replaced with the CLASSIC model.



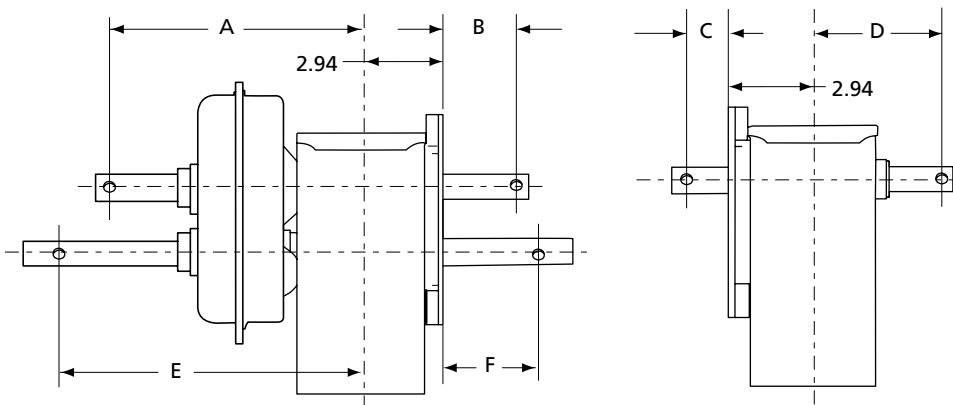
NO.	DESCRIPTION	PART NO.	SPEED	
			ONE	TWO
1A	Upper Leg Assy LH - 1-Speed	N/A	1	-
1B	Upper Leg Assy RH - 2-Speed	N/A	-	1
2A	Lower Leg Assy - Sandshoe	N/A	1	1
2B	Lower Leg Assy - Removable Cushion Foot	N/A	1	1
3	Self-Tapping Screw - .25" -20 x .50"	XB-STS-008-11	2	8
4	Cover - Square Leg	751612	1	1
	- Round Leg	751601	1	1
5	Bevel Gear	730590	1	1
6	Groove Pin - .31" x 1.50"	725046	1	2
7	Washer - Hardened	XB-PW-016-62	1	1
8	Shaft Bushing - Square Leg	724037	2	1
	- Round Leg	724036	2	1
9	Pinion Gear	730011	1	1
10	Jack Shaft LH - Universal Mount	750004	1	-
	- Conventional Mount	750450	1	-
	- Reverse Mount	750452	1	-
11	Spring Pin - .38" x 1.38"	725002	1	1
12	Spring Pin - .25" x 1.25"	725001	1	-
13	Flat Washer	XB-PW-016-13	1	-
14	Grease Fitting	727000	2	3
15	Hex Cap Screw - .38"-16 x 2.25"	XB-HHC-050-42	1	2
16	Self-Locking Nut - .38"-16 - Cross Drive Shaft	XB-SLN-012-04	1	2
	- .38"-16 - Sandshoe	XB-SLN-012-04	1	1
	- .38"-16 - RCF	XB-SLN-012-04	2	2
17	Cross Drive Shaft	LG0094-XXXX	1	-
18	Wire	729002	-	1
19	Spring Pin - .38" x 1.50"	725003	-	1
20	Jack Shaft RH - Universal Mount	750002	-	1
	- Conventional Mount	750241	-	1
	- Reverse Mount	750245	-	1
21	Shift Shaft - Universal & Reverse Mount	751175	-	1
	- Conventional Mount	751198	-	1
22	Output Gear	750009	-	1
23	Input Gear - Low	751173	-	1
24	Input Gear - High	751174	-	1
26	Outside Cover Assembly	741158	-	1
27	Collar - Elevating Screw	730007	1	1
28	Bearing	729108	1	1
29	Sandshoe - 10" x 10" x 4.50" - Code 444	50616001	1	1
	- 10" x 10" x 2.00" - Code 400	50616008	1	1
30	Sandshoe Axle - Hollow Axle 8.50" Lg.	LG0070-02	1	1
31	Hex Cap Screw - .38"-16 x .75" - Sandshoe	XB-HHC-050-69	1	1
	- .38"-16 x .75" - RCF	XB-HHC-050-69	2	2
32	Cushion Foot Pad - RCF	728003	1	1
33	Interchangeable Strap - RCF	730638	1	1
34	RCF - 10" x 10"	730640	1	1
35	Seal	728000	-	1
36	Bevel & Pinion Gear Repair Kit	RK-11290	1	1
37	Gear Box Repair Kit	RK-11291	-	1
38	Constant Mesh Retrofit Kit - Universal Mount	716037	-	1
39	Constant Mesh Retrofit Kit - Conventional Mount	716039	-	1

For technical assistance please go to www.safholland.us or call 800.876.3929

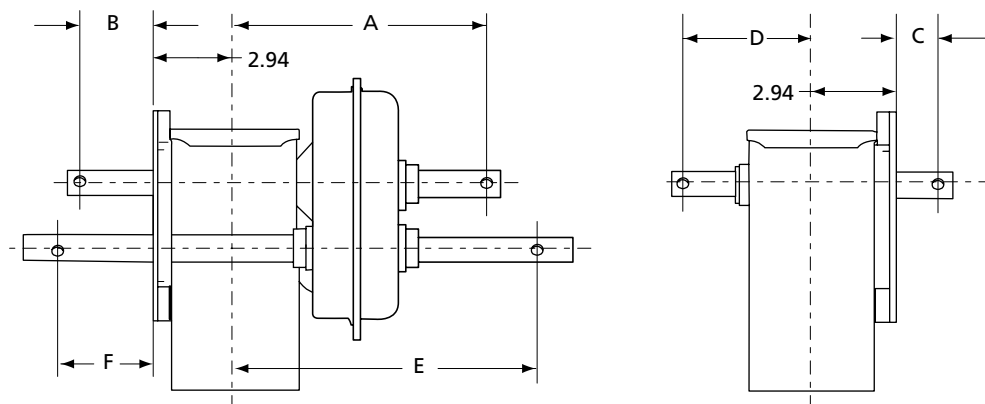
CMS2 Mounting Distances

MOUNTING CONFIGURATION	"A"	"B"	"C"	"D"	"E" LOW GEAR	"E" HIGH GEAR	"F" LOW GEAR	"F" HIGH GEAR
Universal Mount	9.00	2.56	1.56	4.5	10.82	10.31	3.36	3.87
Outside Mount	No Hole	2.56	1.56	No Hole	10.82	10.31	No Hole	No Hole
Inside Mount	9.00	No Hole	No Hole	4.5	10.82	10.31	3.36	3.87

Outside Mounting
shown with Universal Shafts



Inside Mounting
shown with Universal Shafts



MORE PAYLOAD MORE PROFITS



INNOVATIVE LIGHTWEIGHT COMPONENTS TO DELIVER MORE PAYBACK

Bulk up your bottom line by increasing your payload with SAF-HOLLAND weight-saving components.

SAF-HOLLAND offers a line of products that are lightweight, durable, and ideal for fleets that want:

- Lower Overall Vehicle Weight
- Increased Payload
- Enhanced Bottom Line

SAF-HOLLAND — *your one-source solution for increased profitability.*



FWAL Aluminum Fifth Wheel

Forged ALCOA aluminum creates the world's lightest fifth wheel—up to 100 lbs. vs. standard-duty equivalent.



ATLAS 55™ Landing Gear

Lightweight design with unique features that provide strength and stability. Available with the industry's only NoLube™ lifetime warranty.

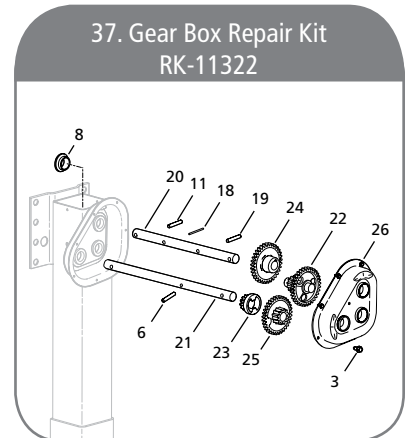
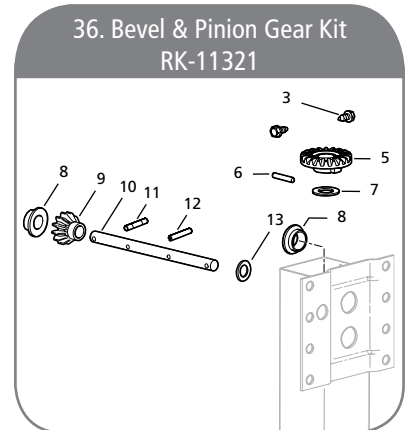
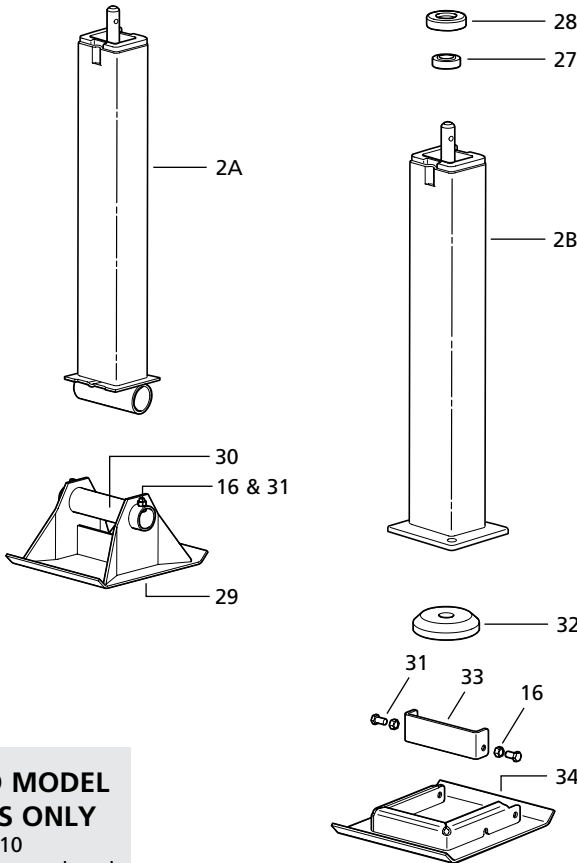
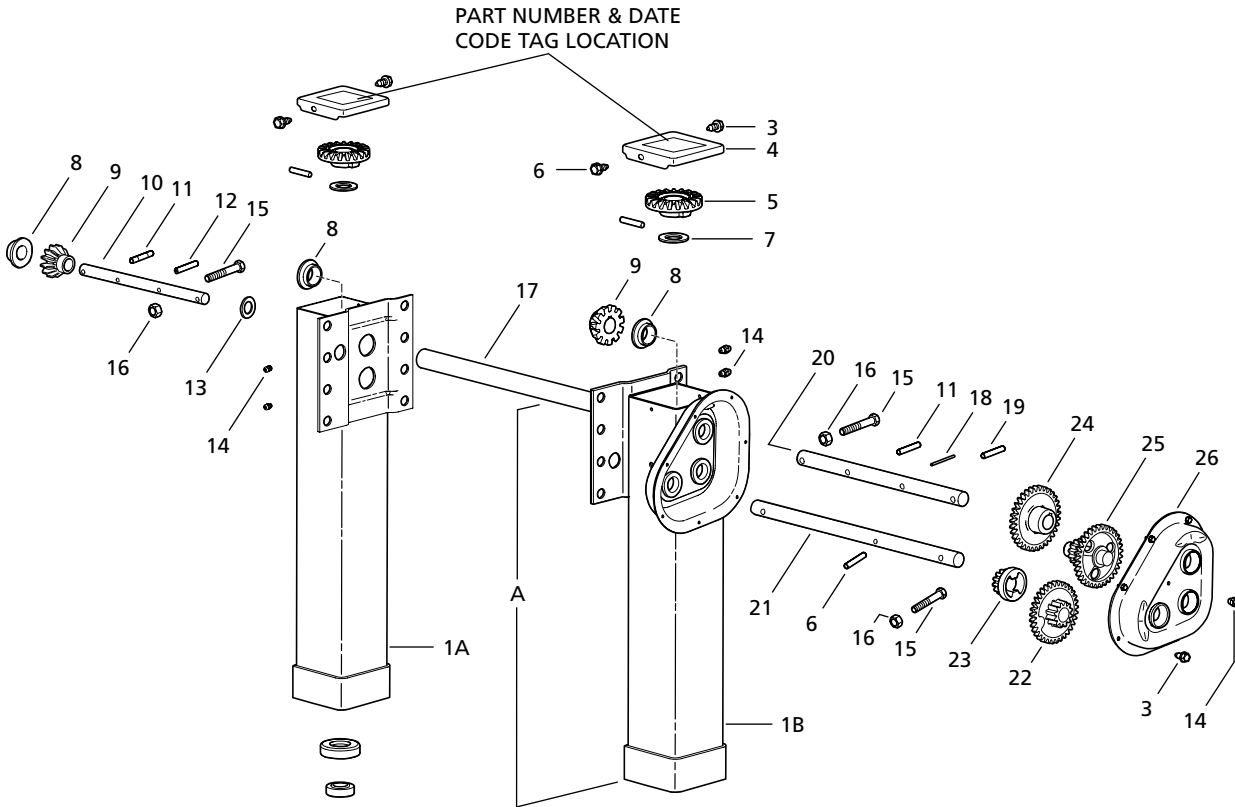


CBX23 Air Suspension System

The CBX23 with drum or disc brakes is one of the lightest weight air suspension systems on the road today.

www.safholland.us 888-396-6501





**DISCONTINUED MODEL
SERVICE PARTS ONLY**
As of 09/2010
CMS3 model legs were replaced
with the ATLAS 55 model.

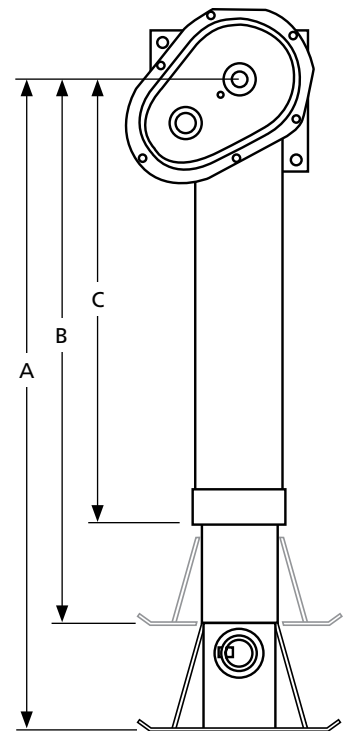


NO.	DESCRIPTION	PART NO.	SPEED	
			ONE	TWO
1A	Upper Leg Assy - Sandshoe	N/A	1	-
1B	Upper Leg Assy - Removable Cushion Foot	N/A	-	1
2A	Lower Leg Assy - Sandshoe	N/A	1	1
2B	Lower Leg Assy - Removable Cushion Foot	N/A	1	1
3	Self-Tapping Screw	XB-ST5-008-11	2	10
4	Cover	751612	1	1
5	Bevel Gear	130004	1	1
6	Groove Pin - .31" x 1.50"	725046	1	2
7	Washer - Hardened	XB-PW-016-62	1	1
8	Shaft Bushing	724037	2	1
9	Pinion Gear	130003	1	1
10	Jack Shaft LH - Universal Mount	750004	1	-
	- Conventional Mount	750450	1	-
	- Reverse Mount	750452	1	-
11	Spring Pin - .38" x 1.38"	725002	1	1
12	Spring Pin - .25" x 1.25"	725001	1	-
13	Flat Washer	XB-PW-016-13	1	-
14	Grease Fitting	727000	2	3
15	Hex Cap Screw - .38"-16 x 2-14"	XB-HHC-050-42	1	2
16	Self-Locking Nut - .38"-16 - Cross Drive Shaft	XB-SLN-012-04	1	2
	- .38"-16 - Sandshoe	XB-SLN-012-04	1	1
	- .38"-16 - RCF	XB-SLN-012-04	2	2
17	Cross Drive Shaft	LG0094-XXXX	1	-
18	Wire	729002	-	1
19	Spring Pin - .38" x 1.50"	725003	-	1
20	Jack Shaft RH - Universal Mount	180000	-	1
	- Conventional Mount	180010	-	1
	- Reverse Mount	180016	-	1
21	Shift Shaft - Universal & Reverse Mount	751175	-	1
	- Conventional Mount	751198	-	1
22	Output Gear	130002	-	1
23	Input Gear - Low	751173	-	1
24	Input Gear - High	130000	-	1
25	Idler Gear	130001	-	1
26	Outside Cover Assembly	160000	-	1
27	Collar - Elevating Screw	730007	1	1
28	Bearing	729108	1	1
29	Sandshoe - 10" x 10" x 4.50"	50616001	1	1
	- 10" x 10" x 2.00"	50616008	1	1
30	Sandshoe Axle - Hollow Axle - 8.50" Lg	LG0070-02	1	1
31	Hex Cap Screw - .38"-16 x .75" - Sandshoe	XB-HHC-050-69	1	1
	- .38"-16 x .75" - RCF	XB-HHC-050-69	1	1
32	Cushion Foot Pad - RCF	728003	1	1
33	Interchangeable Strap - RCF	730638	1	1
34	RCF - 10" x 10"	730640	1	1
36	Bevel & Pinion Gear Kit	RK-11321	1	1
37	Gear Box Repair Kit	RK-11322	1	1

For technical assistance please go to www.safholland.us or call 800.876.3929

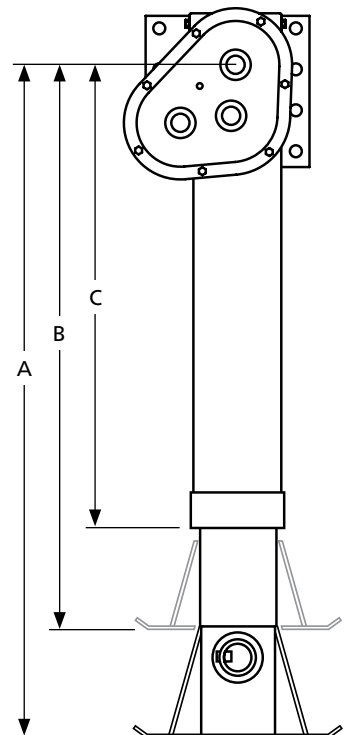
CMS2 DIMENSIONS

	EXTENDED LENGTH (A)	RETRACTED LENGTH (B)	UPPER LEG (C)
REMOVABLE CUSHION FOOT			
14" Travel (14.12")	43.12"	29.00"	25.50"
17" Travel (16.87")	48.62"	31.75"	28.31"
19" Travel (19.12")	53.12"	34.00"	30.56"
4.5" SANDSHOE			
14" Travel (14.12")	42.87"	28.75"	22.75"
17" Travel (16.87")	48.37"	31.50"	25.50"
19" Travel (19.12")	52.87"	33.75"	27.75"
2" SANDSHOE			
14" Travel (14.12")	40.37"	26.25"	22.75"
17" Travel (16.87")	45.87"	29.00"	25.50"
19" Travel (19.12")	50.37"	31.25"	27.75"



CMS3 DIMENSIONS

	EXTENDED LENGTH (A)	RETRACTED LENGTH (B)	UPPER LEG (C)
REMOVABLE CUSHION FOOT			
14" Travel (14.12")	43.12"	29.00"	25.50"
17" Travel (16.87")	48.62"	31.75"	28.31"
19" Travel (19.12")	53.12"	34.00"	30.56"
4.5" SANDSHOE			
14" Travel (14.12")	42.87"	28.75"	22.75"
17" Travel (16.87")	48.37"	31.50"	25.50"
19" Travel (19.12")	52.87"	33.75"	27.75"
2" SANDSHOE			
14" Travel (14.12")	40.37"	26.25"	22.75"
17" Travel (16.87")	45.87"	29.00"	25.50"
19" Travel (19.12")	50.37"	31.25"	27.75"



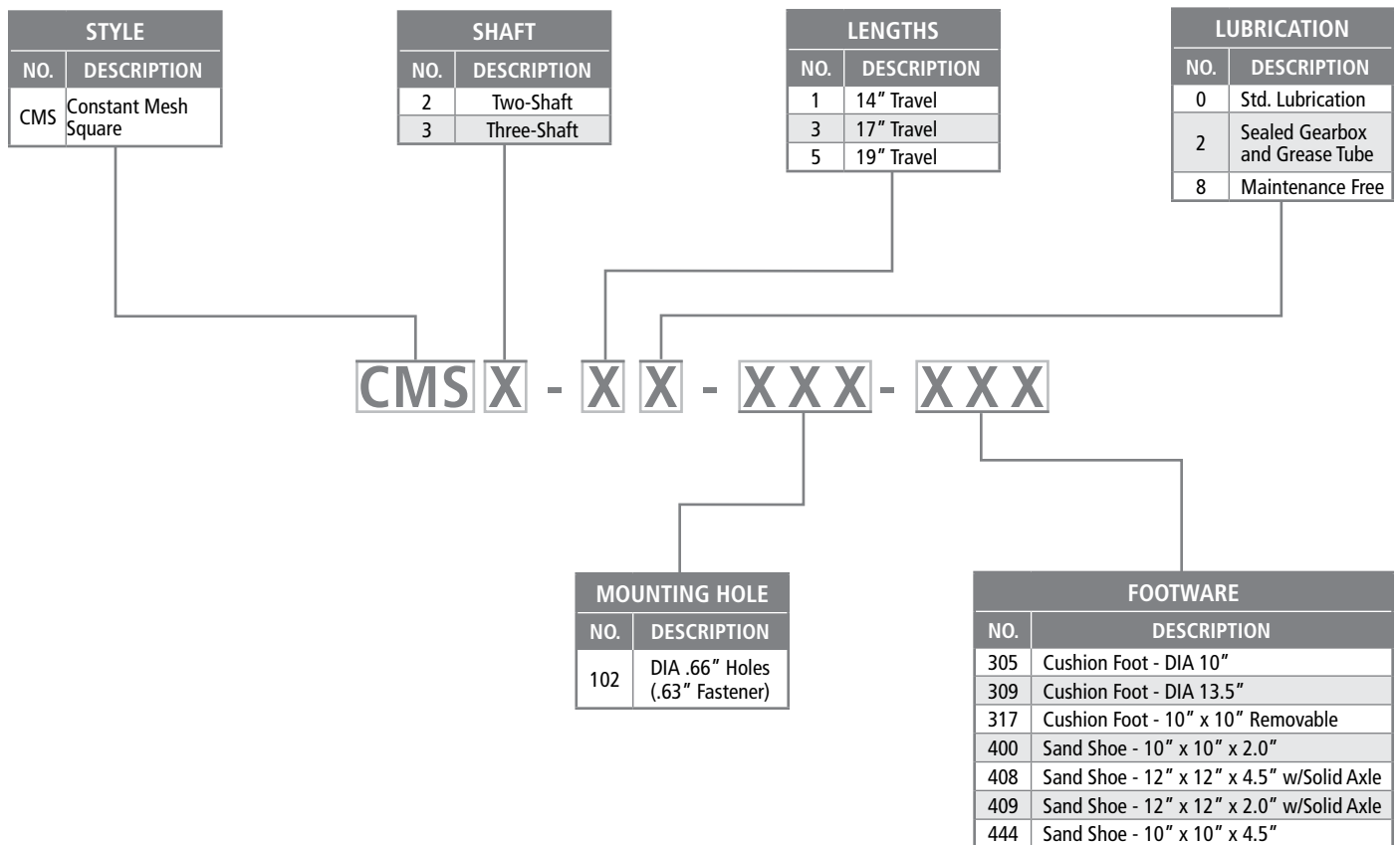
Service Parts Only.

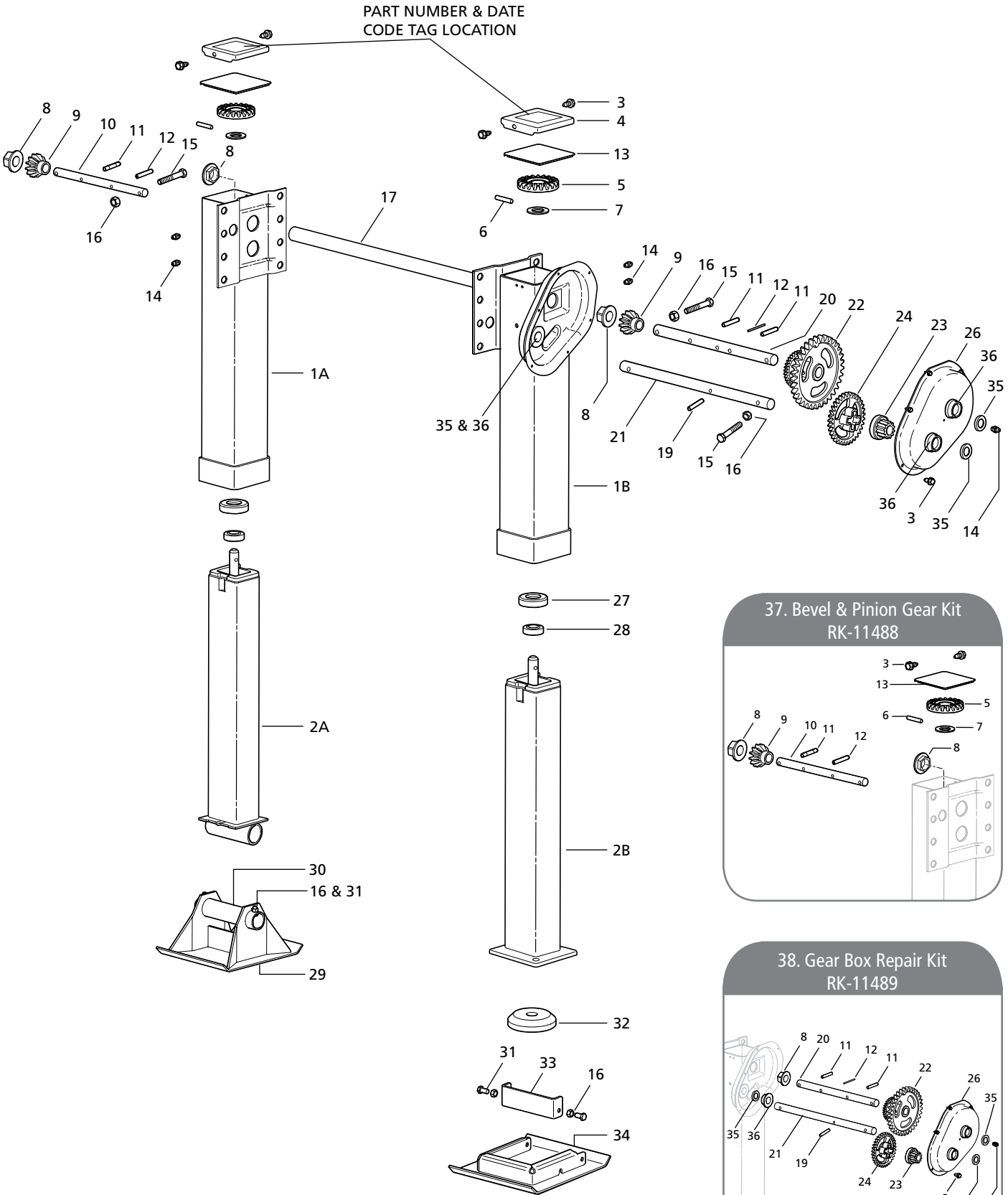
Individual Legs and Sets are no longer available.

For CMS2 Legs see CLASSIC model for replacement Legs and Sets.

For CMS3 Legs see ATLAS 55 model for replacement Legs and Sets.

Model Code provided for reference only.







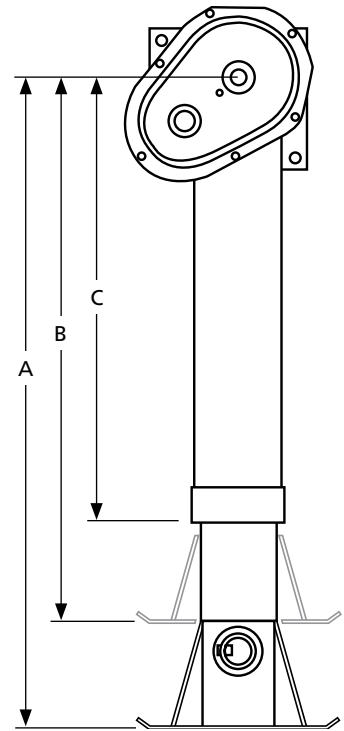
NO.	DESCRIPTION	TRAVEL	
		17"	19"
2A	Lower Leg Assy - Sandshoe	LG3012-03	LG3012-04
2B	Lower Leg Assy - Low Profile RCF	LG-742913	LG-742927

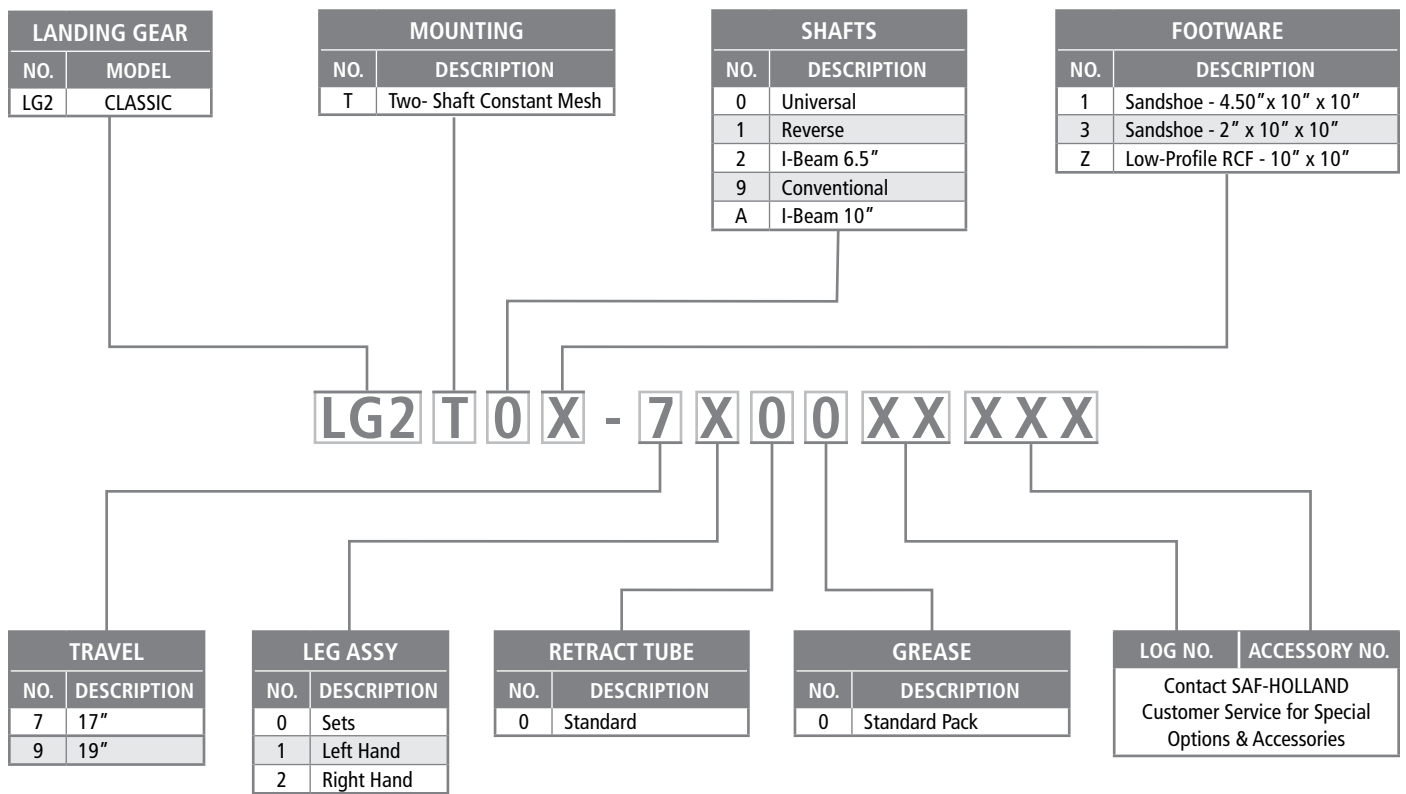
NO.	DESCRIPTION	PART NO.	SPEED	
			ONE	TWO
1A	Upper Leg Assy LH	N/A	1	-
1B	Upper Leg Assy RH	N/A	-	1
3	Self-Tapping Screw - .25"-20 x .50"	XB-ST5-008-11	2	8
4	Cover	XA-LG0880	1	1
5	Bevel Gear	LG2884	1	1
6	Pin - .38" x 2"	XA-CRP-V-06635	1	1
7	Flat Washer	XB-PW-016-62	1	1
8	Hex Lock Boss	LG2926	2	1
9	Pinion Gear	LG1823-02	1	1
10	Jack Shaft LH - Universal Mount	LG-750004-01	1	-
	- I-Beam	LG-750004-04	1	-
	- Extended I-Beam	LG-750004-05	1	-
	- Conventional Mount	LG-750004-02	1	-
11	- Reverse Mount	LG-750004-03	1	-
	Groove Pin - DIA .38" x .50" - Type E	XB-GP-014-18	1	2
12	Spring Pin - DIA .25" x 1.50"	XB-SP-014-27	1	1
13	Cover Gasket	XB-LG0893	1	1
14	Grease Fitting	XB-GRF-022-16	2	3
15	Hex Head Screw - .38"-16 x .25" GR 5	XB-HHC-050-42	1	2
16	Self-Locking Nut - .38"-16 Grade B - Cross Drive Shaft	XB-SLN-012-04	1	2
	- .38"-16 Grade B - Sandshoe	XB-SLN-012-04	1	1
	- .38"-16 Grade B - Low Profile RCF	XB-SLN-012-04	2	2
17	Cross Drive Shaft	LG0094-XXXX	1	-
19	Groove Pin - .31" x 1.50"	725046	-	1
20	Jack Shaft RH - Universal Mount	LG-750002-01	-	1
	- I-Beam	LG-750002-04	-	1
	- Extended I-Beam	LG-750002-05	-	1
	- Conventional Mount	LG-750002-02	-	1
21	- Reverse Mount	LG-750002-03	-	1
	Shift Shaft - Universal Mount	LG-751175-01	-	1
	- Conventional Mount & I-Beam	LG-751175-02	-	1
22	- Reverse Mount	LG-751175-03	-	1
	Output Gear	750009	-	1
23	Input Gear - Low	751173	-	1
24	Input Gear - High	751174	-	1
26	Gearbox Assy - Outside Half	LG-741158	-	1
27	Thrust Bearing	XB-BRG-013-77	1	1
28	Collar	XB-LG0544	1	1
29	Sandshoe - 10" x 10" x 4.5"	LG0055	1	1
	- 10" x 10" x 2.0"	LG0056	1	1
30	Axle Assy	LG0070-02	1	1
31	Hex Cap Screw - .38"-16 x .75" GR 5 - Sandshoe	XB-HHC-050-69	1	1
	- .38"-16 x 1" GR - Low Profile RCF	201205	2	2
32	Rubber Pad	728003	1	1
33	Strap	730638	1	1
34	Low Profile RCF - 10" x 10"	730640	1	1
35	Oil Seal - 1" Shaft	XB-SEL-030-17	-	3
36	Gear Box Boss	LG0659	-	3
37	Bevel & Pinion Gear Kit - Universal	RK-11488	1	1
38	Gear Box Repair Kit - Universal	RK-11489	-	1
39	Black Armour™ Touchup Kit (not shown)	RK-10919	1	1

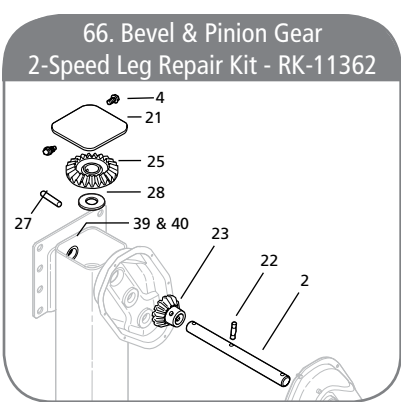
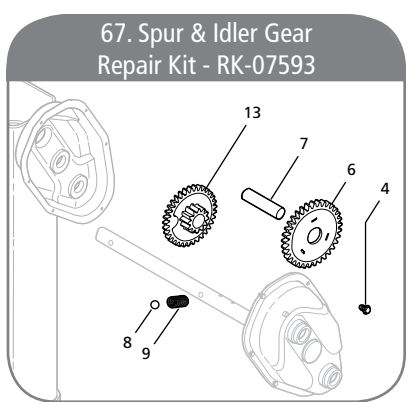
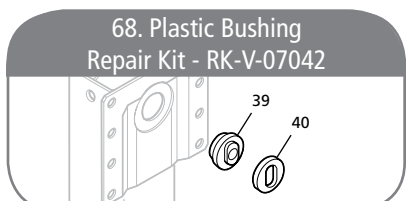
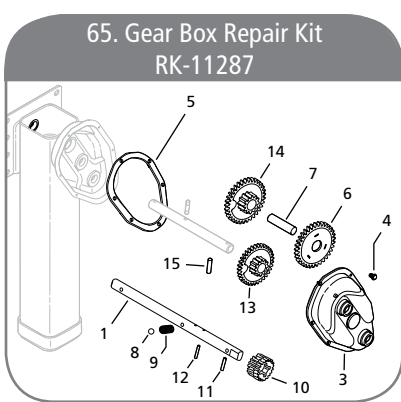
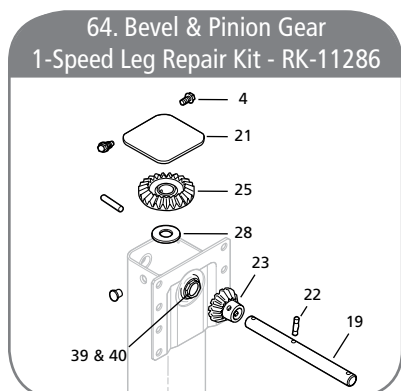
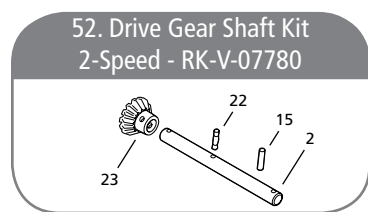
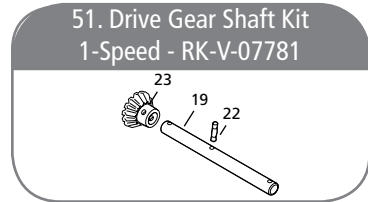
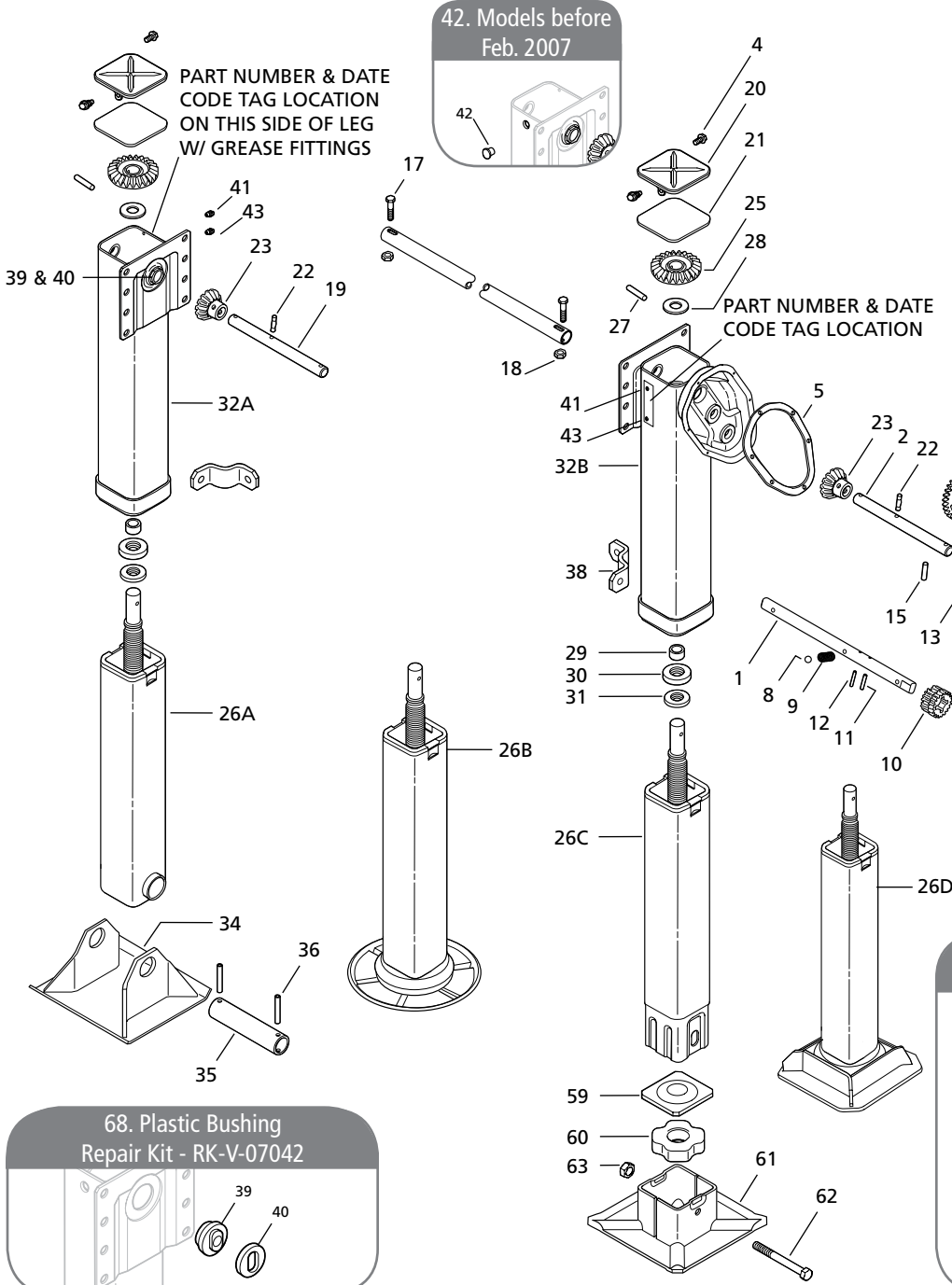
For technical assistance please go to www.safholland.us or call 800.876.3929

CLASSIC DIMENSIONS

	EXTENDED LENGTH (A)	RETRACTED LENGTH (B)	UPPER LEG (C)
REMOVABLE CUSHION FOOT LOW PROFILE			
14" Travel (14.12")	43.12"	29.00"	25.50"
17" Travel (16.87")	46.00"	29.10"	28.31"
19" Travel (19.12")	48.85"	29.72"	27.75"
4.5" SANDSHOE			
14" Travel (14.12")	42.87"	28.75"	22.75"
17" Travel (16.87")	48.50"	31.50"	25.50"
19" Travel (19.12")	52.87"	33.75"	27.75"
2" SANDSHOE			
14" Travel (14.12")	40.37"	26.25"	22.75"
17" Travel (16.87")	46.00"	29.00"	25.50"
19" Travel (19.12")	50.37"	31.25"	27.75"









NO.	DESCRIPTION	PART NO.	SPEED	
			ONE	TWO
1	Shift Shaft RH - Universal	XA-V-06625-A	-	1
	- I-Beam	XA-V-06625-C	-	1
	- Extended I-Beam	XA-V-06625-F	-	1
	- Conventional	XA-V-06625-C	-	1
	- Reverse	XA-V-06625-B	-	1
2	Jack Shaft RH - Universal	XA-V-06624-A	-	1
	- I-Beam	XA-V-06624-D	-	1
	- Extended I-Beam	XA-V-06624-F	-	1
	- Conventional & Reverse	XA-V-06624-C	-	1
3	Gearbox Cover Assembly	XA-V-06618	-	1
4	Thread Rolling Screw	XB-06372	2	8
5	Gearbox Gasket	XB-V-06621	-	1
6	Idler Gear	XA-V-06602	-	1
7	Idler Gear Shaft	XA-V-07085	-	1
8	Ball	XB-BAL-023-01	-	1
9	Spring	XB-SPG-020-02	-	1
10	Input Gear - Low	XA-V-06604-1	-	1
11	Pin - .25" x 1.44"	XA-CRP-V-06633	-	1
12	Spring Pin - .22" x 1.50"	XB-21-S-218-1500	-	1
13	Input Gear - High	XA-V-06606	-	1
14	Output Gear	XA-V-06603	-	1
15	Pin - .38" x 1.5"	XA-CRP-V-06634	-	1
17	HHCS - .38"-16 x 2.00"	XB-V-444-4	1	1
18	Lock Nut - .38"-16	XB-338	1	1
19	Jack Shaft LH - Universal	XA-V-06623-A	1	-
	- I-Beam	XA-V-06623-D	1	-
	- Extended I-Beam	XA-V-06623-F	1	-
	- Conventional	XA-V-06623-C	1	-
	- Reverse	XA-V-06623-B	1	-
20	Upper Leg Cover	XA-V-06611	1	1
21	Gasket	XB-V-07054	1	1
22	Groove Pin .38" x 1.50"	XB-GP-38-1-12-E	1	1
23	Pinion Gear	XA-V-06600	1	1
25	Bevel Gear	XA-V-06601	1	1
26A	Inner Leg & Screw Assy. - Axle	SEE PAGE 1-56	1	1
	- AXLGHD	SEE PAGE 1-56	1	1
26B	Inner Leg & Screw Assy. - Self-Leveling	SEE PAGE 1-56	1	1
	- Self-Leveling HD	SEE PAGE 1-56	1	1
26C	Inner Leg & Screw Assy. - RCF	SEE PAGE 1-56	1	1
	- RCF HD	SEE PAGE 1-56	1	1
26D	Inner Leg & Screw Assy. - Shock Foot	SEE PAGE 1-56	1	1
	- Shock Foot HD	SEE PAGE 1-56	1	1
27	Pin - .38" x 2"	XA-CRP-V-06635	1	1
28	Washer	XB-V-06632	1	1
29	Bushing	XB-V-06630	1	1
30	Thrust Bearing	XB-V-647	1	1
30	Thrust Bearing - Heavy Duty	XB-V-647-1	1	1
31	Collar	XA-V-06629	1	1
32A	Upper Leg - 1-Speed	NA	1	-
	- 1-Speed Heavy Duty (Not Shown)	NA	1	-
32B	Upper Leg - 2-Speed	NA	-	1
	- 2-Speed Heavy Duty (Not Shown)	NA	-	1
34	Skid Foot - 4.5" x 12" x 11.5"	LG0050	1	1
	- 2.0" x 12" x 11.5"	LG0051	1	1
	- 3.8" x 10" x 11.5"	XA-V-796-WS	1	1
	- 2.0" x 10" x 11.5"	LG0056	1	1
	- 4" x 12" x 16"	XA-HV-796	1	1

NO.	DESCRIPTION	PART NO.	SPEED	
			ONE	TWO
35	Standard Axle	XA-V-1901-1	1	1
	Solid Axle	XA-V-1903-1	1	1
36	Rollpin - .38" x 3"	XB-21-S-375-3000	2	2
38	Brace Lug	XA-V-1938	1	1
39	Bearing	XB-LG0559	2	1
40	Retainer	XB-LG1570	2	1
41	Lube Fitting	XB-767	1	2
42	Plastic Plug - Models before Feb. 2007	XB-01789	1	1
43	Lube Fitting w/Extension	XB-767-L	1	1
47	Crankshaft Bracket (Optional)	XA-V-971	-	1
48	Crank Hanger (Optional)	XB-V-1915	-	1
	Crank Hanger (Optional)	XB-LG0085	-	1
49	Extension Shaft - Long (Optional) - 15.44"	XA-V-1916	-	1
	- Short (Optional) - 8.94"	XA-V-1916-1	-	1
50	Crankshaft Coupling (Optional)	XA-V-630-2	-	1
51	Drive Gear Shaft Kit - 1-Speed	RK-V-07781	-	1
52	Drive Gear Shaft Kit - 2-Speed	RK-V-07780	-	1
53	Groove Pin - .38" x 1.38" (Optional)	XB-GP-38-138-5	-	2
54	Locknut - .25"-28 (Optional)	XB-3103	-	3
55	HHCS - .25"-28 x 3" (Optional)	XB-07618	-	3
56	Extension Bracket - Long - 15.56"	XA-V-07601-1	-	1
	- Short - 9.06"	XA-V-07601-2	-	1
57	Extension Bracket & Shaft Kit - Long - 15.56"	RK-V-07602-1	-	1
	- Short - 9.06"	RK-V-07602-2	-	1
58	Extension Bracket & Shaft Kit - Long - 15.44"	RK-V-1997-1	-	1
	- short - 8.94"	RK-V-1997-2	-	1
59	Cushion Foot Plate	LG1829	1	1
60	Rubber Cushion	XB-LG0713	1	1
61	Removable Cushion Foot	XA-V-796-RCF	1	1
62	Hex Head Screw - .63"-11 x 6" - GR2	XB-HHC-050-114	1	1
63	Top Lock Nut - .63"-11 - GR.C	XB-06179-2	1	1
64	Bevel & Pinion Gear Repair Kit	RK-11286	1	1
65	Gear Box Repair Kit	RK-11287	-	1
66	Black Armour™ Touchup Kit (not shown)	RK-10919	1	1

For technical assistance please go to www.safholland.us or call 800.876.3929

Standard Duty Retract Tube Assemblies

NO.	DESCRIPTION	TRAVEL			
		9.9"	10.3"	12.5"	13.5"
26A	Retract Tube Assy - Axle	XA-V-06628-000-0	N/A	N/A	XA-V-06628-101-0
26B	Retract Tube Assy- Self Leveling	N/A	N/A	XA-V-06628-010-1	XA-V-06628-111-1
26C	Retract Tube Assy - RCF	N/A	XA-V-06628-020-2	N/A	XA-V-06628-121-2
26D	Retract Tube Assy - Shockfoot	N/A	N/A	XA-V-06628-010-5	XA-V-06628-111-5

Standard Duty Retract Tube Assemblies cont.

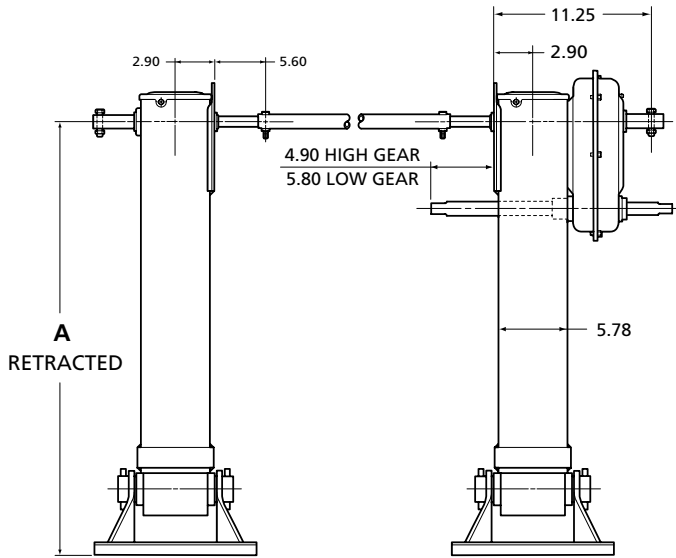
NO.	DESCRIPTION	TRAVEL			
		15.0"	16.5"	17.6"	18.7"
26A	Retract Tube Assy - Axle	XA-V-06628-202-0	XA-V-06628-303-0	XA-V-06628-404-0	XA-V-06628-505-0
26B	Retract Tube Assy- Self Leveling	XA-V-06628-212-1	XA-V-06628-313-1	XA-V-06628-414-1	XA-V-06628-515-1
26C	Retract Tube Assy - RCF	XA-V-06628-222-2	XA-V-06628-323-2	XA-V-06628-413-2	XA-V-06628-514-2
26D	Retract Tube Assy - Shockfoot	XA-V-06628-212-5	XA-V-06628-313-5	XA-V-06628-414-5	XA-V-06628-515-5

Heavy Duty Retract Tube Assemblies

NO.	DESCRIPTION	TRAVEL			
		9.9"	10.3"	12.5"	13.5"
26A	Retract Tube Assy - Axle	XA-H-06628-000-0	N/A	N/A	XA-H-06628-101-0
26B	Retract Tube Assy- Self Leveling	N/A	N/A	XA-H-06628-010-1	XA-H-06628-111-1
26C	Retract Tube Assy - RCF	N/A	XA-H-06628-020-2	N/A	XA-H-06628-121-2
26D	Retract Tube Assy - Shockfoot	N/A	N/A	XA-H-06628-010-5	XA-H-06628-111-5

Heavy Duty Retract Tube Assemblies cont.

NO.	DESCRIPTION	TRAVEL			
		15.0"	16.5"	17.6"	18.7"
26A	Retract Tube Assy - Axle	XA-H-06628-202-0	XA-H-06628-303-0	XA-H-06628-404-0	XA-H-06628-505-0
26B	Retract Tube Assy- Self Leveling	XA-H-06628-212-1	XA-H-06628-313-1	XA-H-06628-414-1	XA-H-06628-515-1
26C	Retract Tube Assy - RCF	XA-H-06628-222-2	XA-H-06628-323-2	XA-H-06628-413-2	XA-H-06628-514-2
26D	Retract Tube Assy - Shockfoot	XA-H-06628-212-5	XA-H-06628-313-5	XA-H-06628-414-5	XA-H-06628-515-5



Self Leveling

TRAVEL	"A"	"B"
12.5"	37.0"	23.9
13.5"	41.3"	24.8
15.0"	44.3"	26.3
16.5"	47.3"	27.8
17.6"	49.5"	28.9
18.7"	51.8"	30.0

Std. Skid

TRAVEL	"A"	"B"
9.9"	37.9"	23.9
13.5"	42.2"	24.8
15.0"	45.2"	26.3
16.5"	48.2"	27.8
17.6"	50.5"	28.9
18.7"	52.7"	30.0

Low Profile

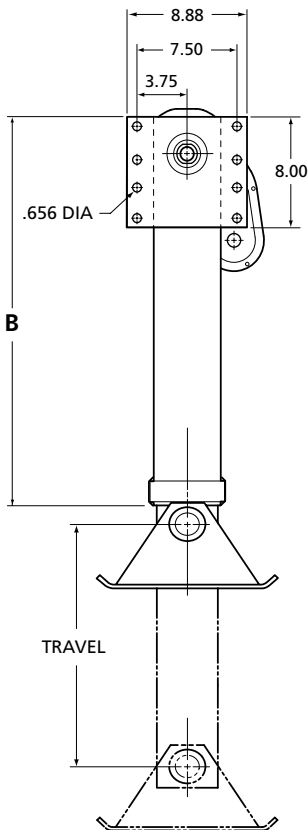
TRAVEL	"A"	"B"
9.9"	35.4"	23.9
13.5"	39.7"	24.8
15.0"	42.8"	26.3
16.5"	45.7"	27.8
17.6"	48.0"	28.9
18.7"	50.5"	30.0

Wt. Saver Skid

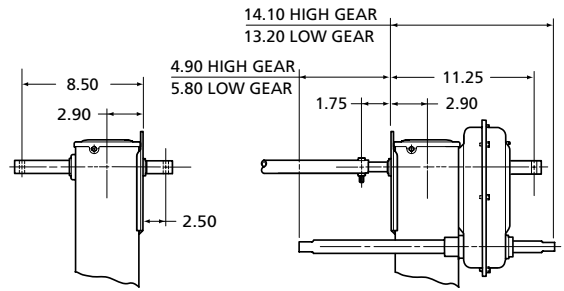
TRAVEL	"A"	"B"
9.9"	36.7"	23.9
13.5"	41.5"	24.8
15.0"	44.5"	26.3
16.5"	47.5"	27.8
17.6"	49.7"	28.9
18.7"	52.0"	30.0

RCF

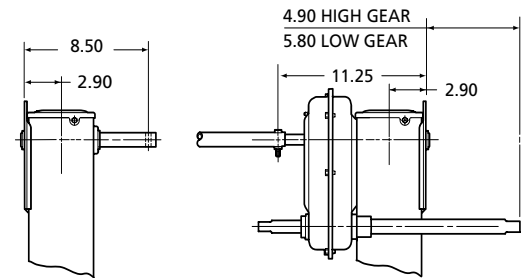
TRAVEL	"A"	"B"
10.3"	36.8"	23.9
13.5"	41.1"	24.8
15.0"	44.1"	26.3
16.5"	47.1"	27.8
17.6"	49.3"	28.9
18.7"	51.5"	30.0



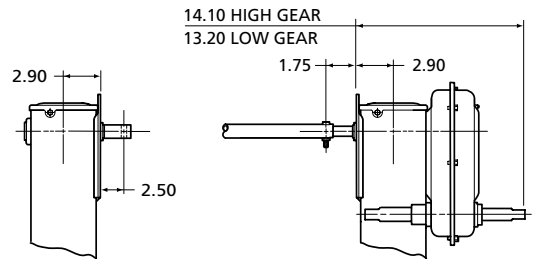
'A' Universal Mounting



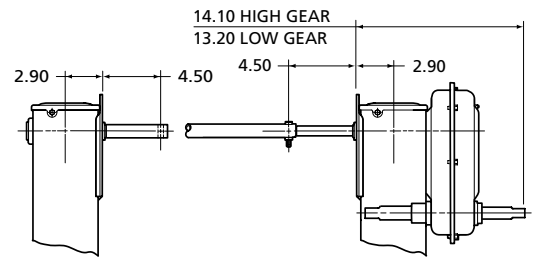
'B' Inboard Mounting



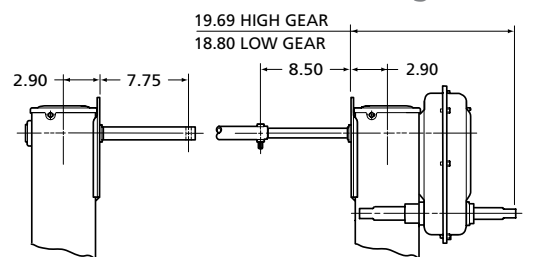
'C' Outboard Mounting



'D' I-Beam Mounting

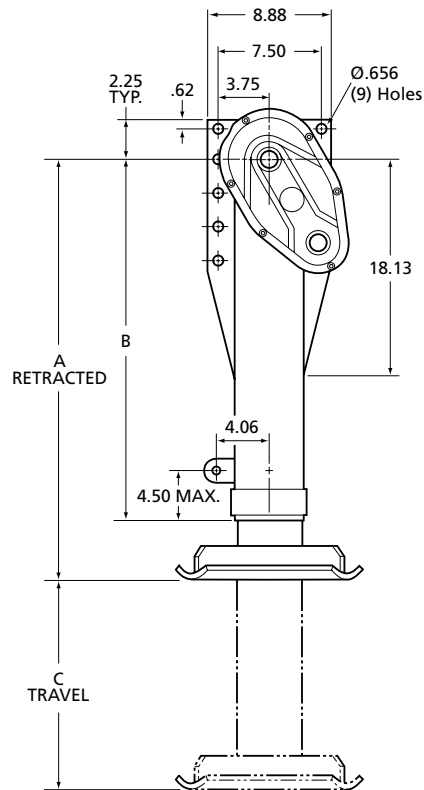


'F' Extended I-Beam Mounting



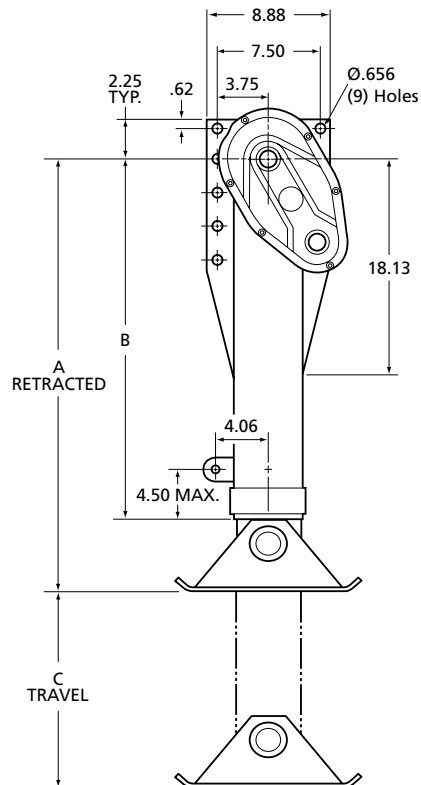
HD Self-Leveling Foot

MODEL	"A"	"B"	"C"
LGH-1A012	27.9"	24.5"	13.5"
LGH-2A012	29.4"	26.0"	15.0"
LGH-3A012	30.9"	27.1"	16.5"
LGH-4A012	32.0"	28.2"	17.6"
LGH-5A012	33.2"	29.6"	18.7"



HD 12" x 17" Skid Foot

MODEL	"A"	"B"	"C"
LGH-1A312	29.7"	24.5"	12.0"
LGH-2A312	31.2"	26.0"	13.5"
LGH-3A312	32.3"	27.1"	15.4"
LGH-4A312	33.4"	28.2"	16.6"
LGH-5A312	34.8"	29.6"	17.4"



CRANK S/A			
NO.	DESCRIPTION	NO.	DESCRIPTION
0	XA-V-90-0	8	XA-V-90-8
1	XA-V-90-1	9	XA-V-90-10
2	XA-V-90-2	A	XA-V-90-11
3	XA-V-90-3	B	XA-V-90-12
4	XA-V-90-4	C	XA-V-90-146
5	XA-V-90-5	H	XA-50208
6	XA-V-90-6	Q	XA-V-90-13
7	XA-V-90-7	X	Delete

ACCESSORIES	
NO.	DESCRIPTION
0	Crank Holder & Brace Ears
1	Brace Ears Only
2	Crank Holder Only
X	Neither

GREASE / FITTINGS		
NO.	GREASE	FITTINGS
0	Standard	Standard
1	Low Temp	Standard
2	Standard	65°
3	Low Temp	65°
4	Standard	90°
5	Low Temp	90°
6	5 Yr. Warranty - No Maint.	
7	10 Yr. Warranty - No Maint.	

CROSS SHAFT LENGTH	
NO.	DESCRIPTION
0	Std. Length
# # 0	## + .00"
# # 5	## + .50"
X	None

CAPACITY	
NO.	DESCRIPTION
S	Standard
H	Heavy Duty

SET

LG X

X X X XXX

INDIV. LEG

XA - X X

X X X XX

X

CAPACITY	
NO.	DESCRIPTION
S	Standard
H	Heavy Duty

LEG SPEED	
NO.	DESCRIPTION
8	Two-Speed
9	Single-Speed

GREASE / FITTINGS		
NO.	GREASE	FITTINGS
0	Standard	Standard
1	Low Temp	Standard
2	Standard	65°
3	Low Temp	65°
4	Standard	90°
5	Low Temp	90°
6	5 Yr. Warranty - No Maint.	
7	10 Yr. Warranty - No Maint.	

TRAVEL	
NO.	DISTANCE
0	12.5" *
1	13.5"
2	15.0"
3	16.5"
4	17.6"
5	18.7"
Z	Special

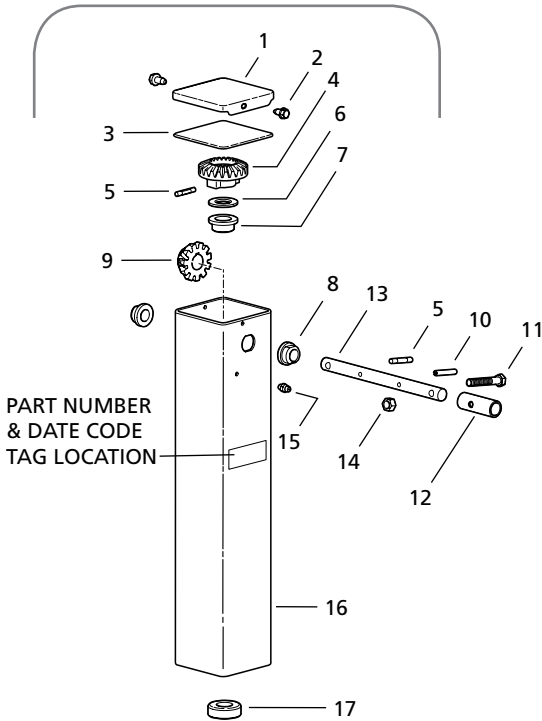
MOUNTING	
NO.	DESCRIPTION
A	Universal
B	Inside
C	Outside
D	I-Beam
F	Extended I-Beam
Z	Special

AXLE TYPE	
NO.	TYPE
0	No Axle
1	Standard
3	Solid Axle
Z	Special

FOOT TYPE					
NO.	FOOT TYPE	DESCRIPTION	NO.	FOOT TYPE	DESCRIPTION
01	Self-Leveling	DIA 12"	10	No Footware	---
02	Shock-Foot	DIA 10"	12	HD Self-Leveling	14" x 14"
03	Wheels	DIA 9"	13	Low Profile SF	2.0" x 12" x 11.5"
05	STD Skid Foot	4.5" x 12" x 11.5"	14	Cushion Foot	2.4" x 10" x 11.5"
06	Skid Foot	5.0" x 12" x 17"	15	Wt. Saver SF	3.8" x 10" x 11.5"
07	Skid Foot	5.0" x 12" x 23"	23	Low Pro. Wt. Svr.	2.0" x 10" x 11.5"
08	Big Skid Foot	5.0" x 14" x 19"	24	R.C.F.	2.9" x 11.4" x 11.4"
09	Wheels & SF	3.8" x 16" x 11.5"	ZZ	Special	

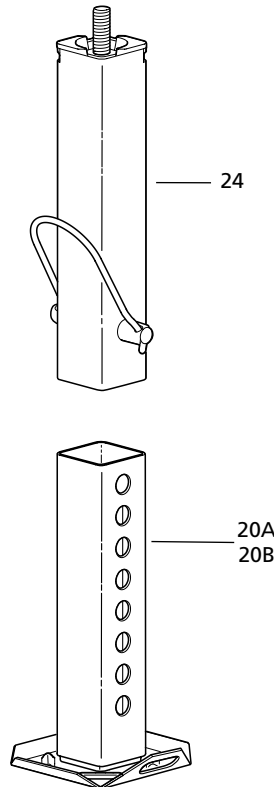
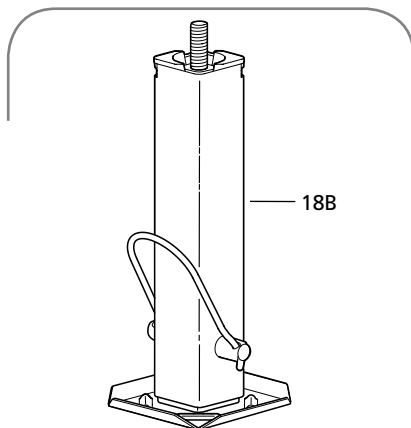
* 9.9" on skidfoot models
10.3" on RCF models

**Non-Spring Loaded Model
LGD700-21200000**



NO.	DESCRIPTION	PART NO.	QTY.
1	Top Cover	XA-LG0880	1
2	Self-Tapping Screw - .25"-20 x .50"	XB-ST5-008-11	2
3	Cover Gasket	XB-LG0893	1
4	Bevel Gear	XB-LG2027	1
5	Groove Pin - .25" x 1.50" Type E	XB-GP-014-07	2
6	Washer - 1.02" ID x 1.75" OD x .13" Thk	XB-PW-016-51	1
7	Flange Bearing	XB-LG1460	1
8	Slip-Fit Bushing	LG2329	2
9	Pinion Gear	XB-LG2026	1
10	Spring Pin - .25" x 1.50"	XB-SP-014-27	1
11	Hex Head Screw - .38"-16 x 2.25" Grade 5	XB-HHC-050-42	1
12	Crank Adapter	XB-CP4651-16	1
13	Jack Shaft	LG2328	1
14	Self-Locking Nut - .38"-16 Grade B	XB-SLN-012-04	1
15	Grease Fitting - .25"-28	XB-GRF-022-16	1
16	Upper Housing	LG2392-03	1
17	Thrust Bearing	XB-BRG-013-70	1
18A	Tube Assy - Retracting & Screw	LG2032-01	1
18B	Tube Assy - Spring Loaded Retracting & Screw	LG2032	1
19	Self-Tapping Screw - .38"-16 x .44"	XB-ST5-008-17	1
20A	Tube - Drop - Dual Pin	LG2003-01	1
20B	Tube - Drop - Dual Pin w/Spring	LG2003	1
21	Decal - Dual Pin	XB-DCL-031-60	1
22	Locking Pin	LG2024	2
23	Spring Handle	XB-LG2006	1
24	Tube Assy - Retracting & Screw - No Shoe	LG2033	1
25	Black Armour™ Touchup Paint (not shown)	RK-10919	1

**Spring Loaded Model
LGD700-21300000**



**21. Decal
XB-DCL-031-60
(Supplied with Spring Loaded models only.)**

DUAL PIN
CAUTION
SAFETY INFORMATION
SPRING LOADED DROP LEG

LOCKED POSITION **RELEASED POSITION**

TO LOWER LEG:
1. Lower handle to released position with hand or foot.
2. Place foot on drop leg shoe and lower to desired extension.
3. Raise handle to locked position with hand or foot, then lift foot from shoe slowly. (Drop leg will automatically lock in reared hole position.)
4. Rotate crank to extend leg until desired height is obtained.

TO RETRACT LEG:
1. Rotate crank to retract leg to minimum retracted position.
WARNING: Spring force can retract drop leg with impact. Keep hands and feet clear of impact areas.
2. To raise drop leg, lower handle to released position with hand or foot. (Drop section will automatically retract.)
3. Raise handle to locked position with hand or foot.

DROP LEG (NO SPRING)

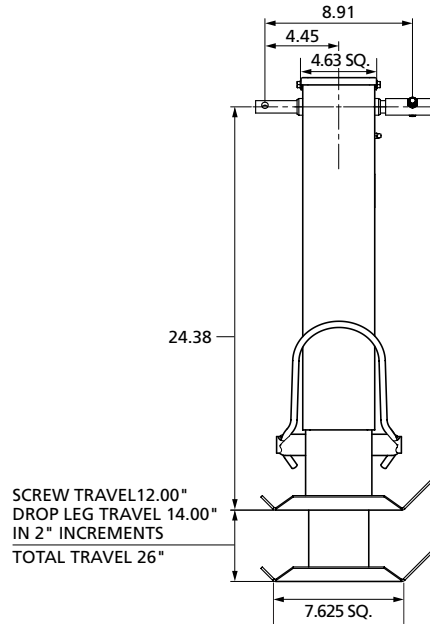
HANDLE FOR RAISING DROP LEG

TO LOWER LEG:
1. Lower handle to released position with hand or foot. (Drop leg will fall until contact with ground or extension stop.)
2. Raise handle to locked position with hand or foot. (Drop leg will automatically lock in reared hole position.)
3. Rotate crank to extend leg until desired height is obtained.

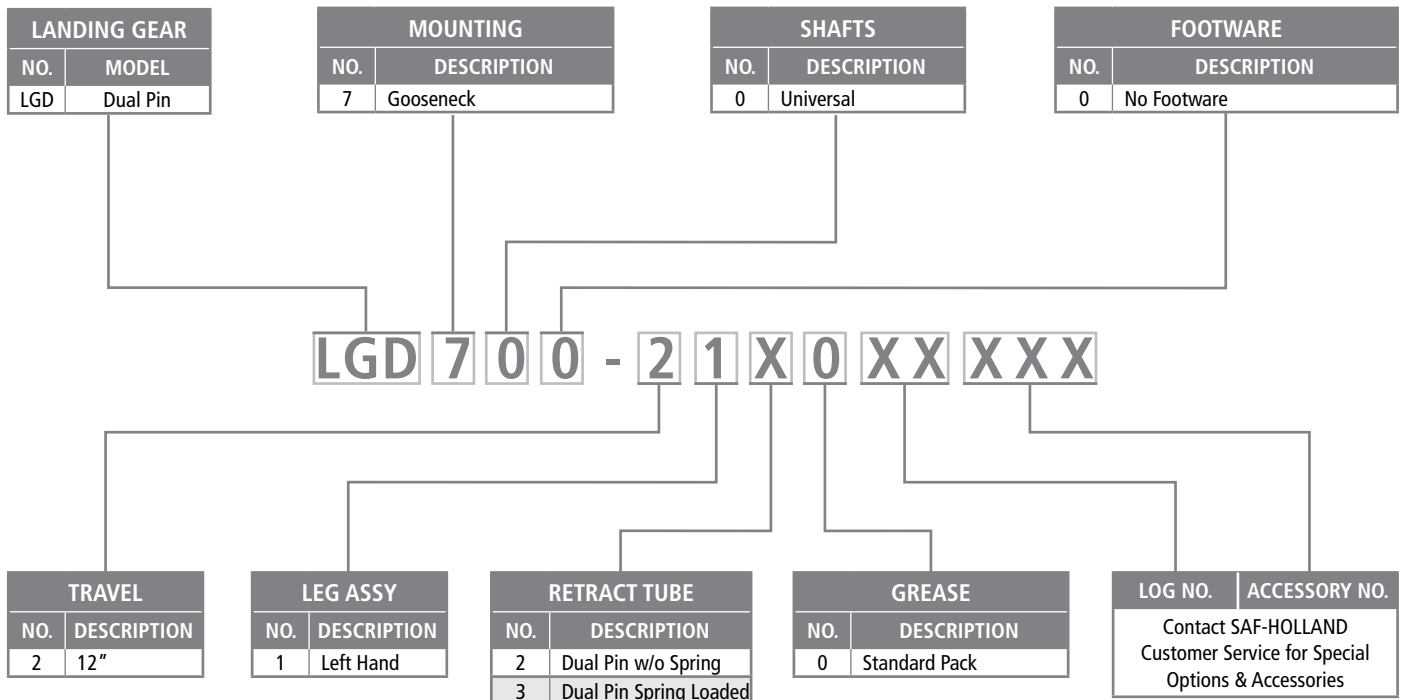
TO RETRACT LEG:
1. Rotate crank to retract leg to minimum retracted position.
2. To raise drop leg, hold shoe handle while lowering leg handle to released position. Then lift shoe handle until drop leg is in full upward position.
3. Raise handle to locked position with hand or foot.

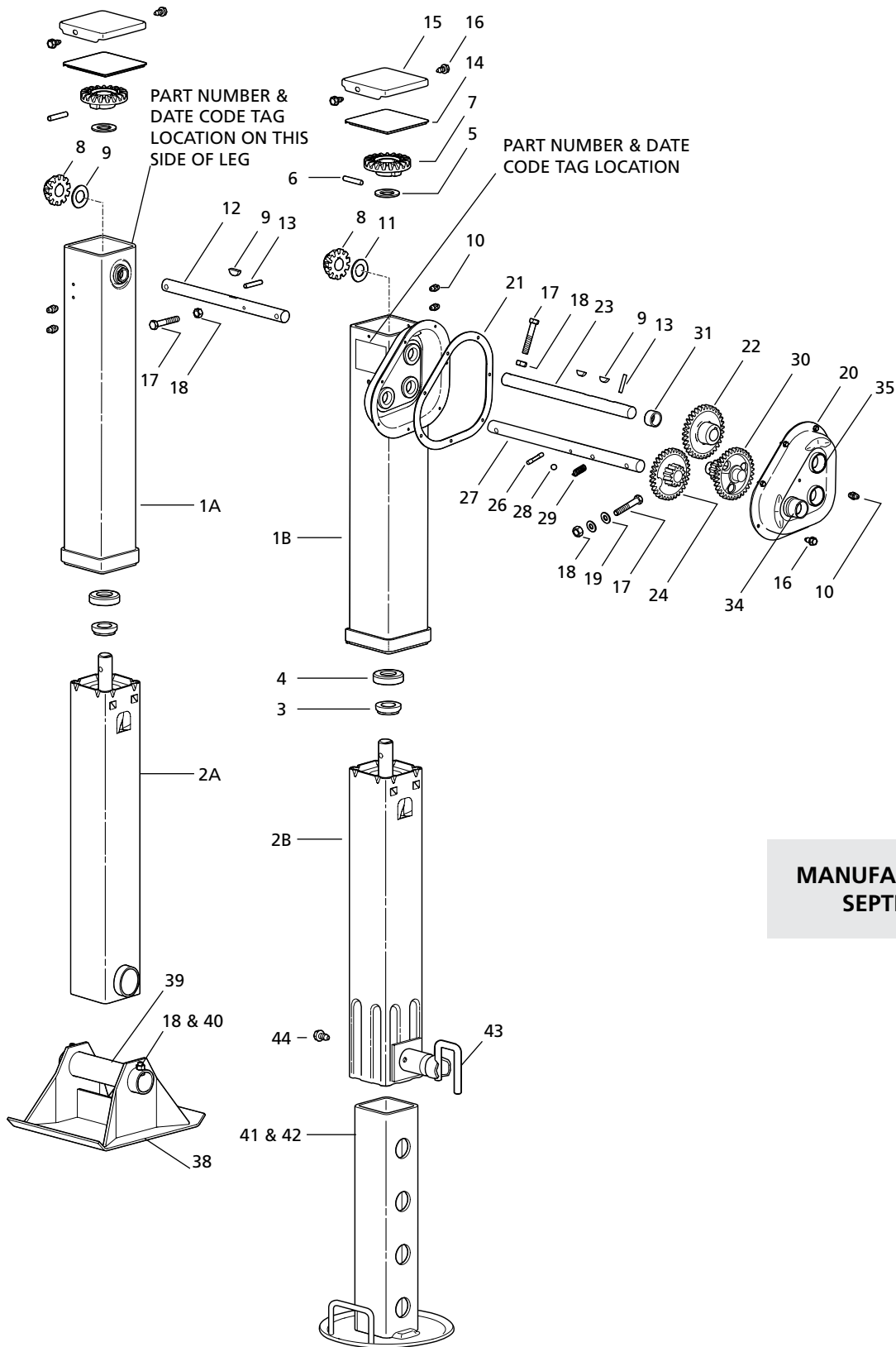
Copyright © 2018 • The Netherlands B.V.
XB-DCL-031-60 Rev. 01 - 16.04.2018-01

DIMENSIONS & CAPACITIES



Lift Capacity: 12,500 lbs.
Rated Static Load Capacity: 20,000 lbs.
Weight: Approx. 40 lbs.





**MANUFACTURED BEFORE
SEPTEMBER 2010**



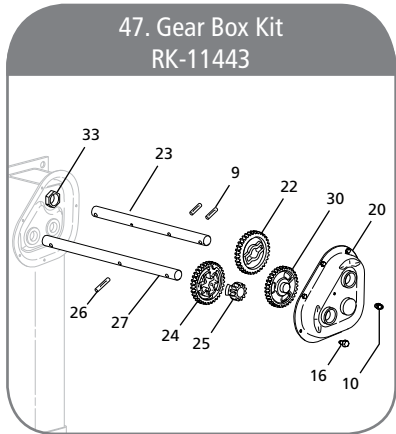
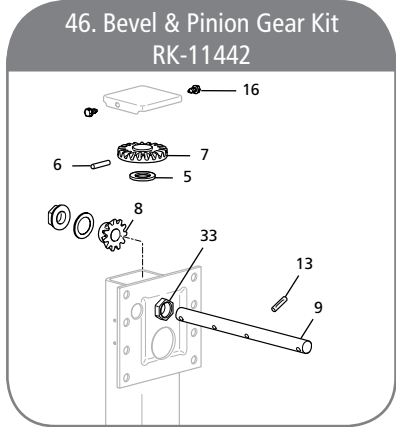
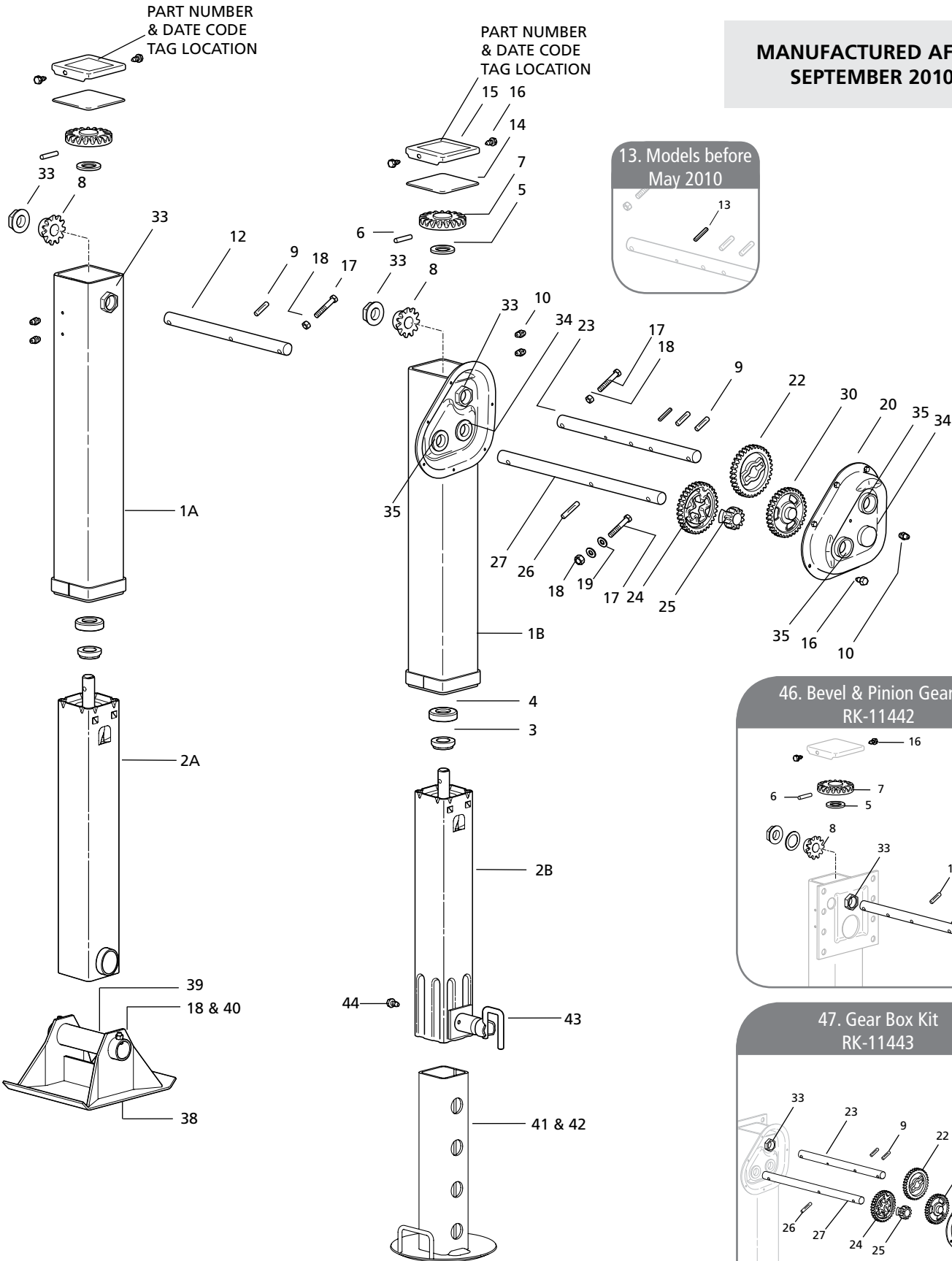
NO.	DESCRIPTION	PART NO.	SPEED	
			ONE	TWO
1A	Upper Housing LH	N/A	1	-
1B	Upper Housing RH	N/A	-	1
2A	Retract Tube - Axle	N/A	1	1
2B	Retract Tube - Dropleg	N/A	1	1
3	Collar	XB-LG0544	1	1
4	Thrust Bearing	XB-BRG-013-77	1	1
5	Washer - FL 2"OD x 1.19" ID x .13" THK	XB-PW-016-62	1	1
6	Pin - DIA .38"x 2"	XA-CRP-V-06635	1	1
7	Bevel Gear	XA-LG0570-01	1	1
8	Pinion Gear	XB-LG1823-01	1	1
9	Key - Woodruff .25" x .88"	XB-KEY-018-02	1	2
10	Ftg - Grease .25"-28 Self Tapping	XB-GRF-022-16	2	3
11	Washer - Fl 1.8"OD x 1.01"ID x .06" THK	XB-PW-016-19	1	1
12	Jack Shaft LH - Universal Mount	LG0927	1	-
	- Dropleg	LG0189-01	1	-
13	Pin - Spring DIA .25" x 1.5"	XB-SP-014-27	1	1
14	Gasket	XB-LG0893	1	1
15	Cover	XA-LG0880	1	1
16	Self-Tapping Screw .25"-20 x .5" Lg	XB-ST5-008-11	2	9
17	Screw, Hex Cap .38"-16 x 2.25" Lg GR5	XB-HHC-050-42	1	2
18	Self-Locking Nut .38"-16	XB-SLN-012-04	2	3
19	Washer .38" Std Type A	XB-PW-016-03	-	2
20	Gearbox Half, - Outside w/Hole for Grease Fitting	LG0663	-	1
	- Outside w/Grease Fitting Included	XB-LG0663	-	1
21	Gearbox Gasket	XB-LG0428	-	1
22	Output Gear	LG0543-01	-	1
23	Jackshaft RH - Universal	LG0928	-	1
24	Input Gear	LG0541-01	-	1
26	Groove Pin, Type E DIA .25"x 1.50" Lg	XB-GP-014-07	-	1
27	Shift Shaft - Universal Mount	LG0261-01	-	1
28	Shift Lock Ball	XB-BAL-023-07	-	1
29	Shift Lock Spring	XB-SPG-020-36	-	1
30	Idler Gear	XB-LG0542-01	-	1
31	Spacer Bushing	XB-LG0219-01	-	1
32	Retainer, Hex Lock	LG2094	2	1
33	Hex Lock Boss	LG2095	2	1
34	Shift Lock Boss	XB-LG0658-01	-	1
35	Gearbox Boss	XB-LG0659-01	-	4
36	Gearbox Boss, Inside Half	XB-LG0660	-	1

NO.	DESCRIPTION	PART NO.	SPEED	
			ONE	TWO
38	Sandshoe - 10" x 10" x 4.50"	50616001	1	1
39	Sandshoe Axle - Hollow Axle 8.50" Lg	LG0070-02	1	1
40	Screw, Hex Cap .38"-16 x .75" Lg GR5	XB-HHC-050-69	1	1
41	Tube - Inner Telescoping Dropleg LH	LG0827-01	1	-
42	Tube - Inner Telescoping Dropleg RH	LG0827	-	1
43	Pull Pin	LG2314	1	1
44	Self-Tapping Screw - .38" - 16 x .44"	XB-ST5-008-17	1	-
45	Black Armour™ Touchup Kit (not shown)	RK-10919	1	1

**MANUFACTURED BEFORE
SEPTEMBER 2010**

**For technical assistance please go to
www.safholland.us or call 800.876.3929**

**MANUFACTURED AFTER
SEPTEMBER 2010**





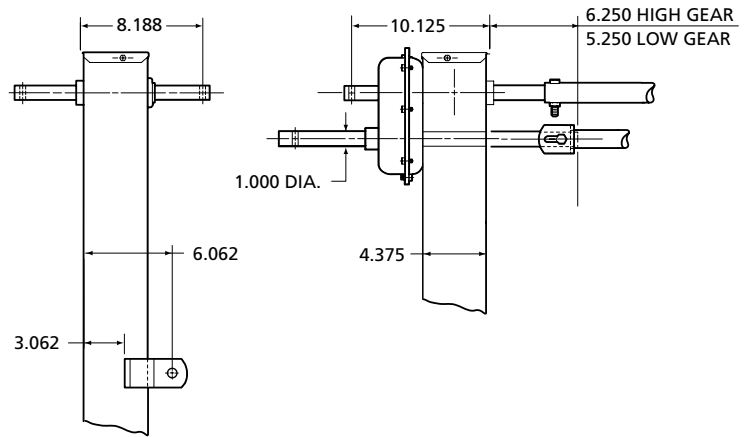
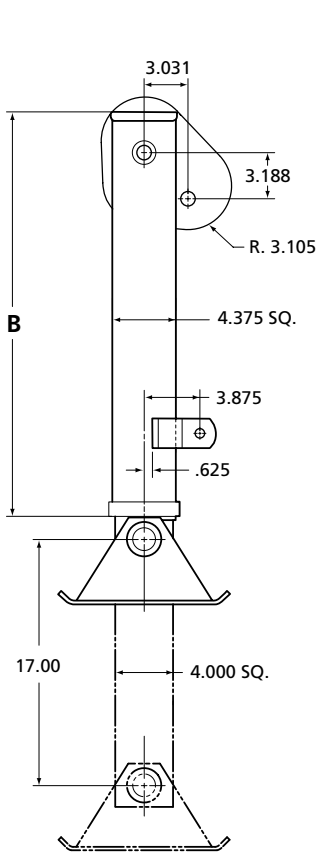
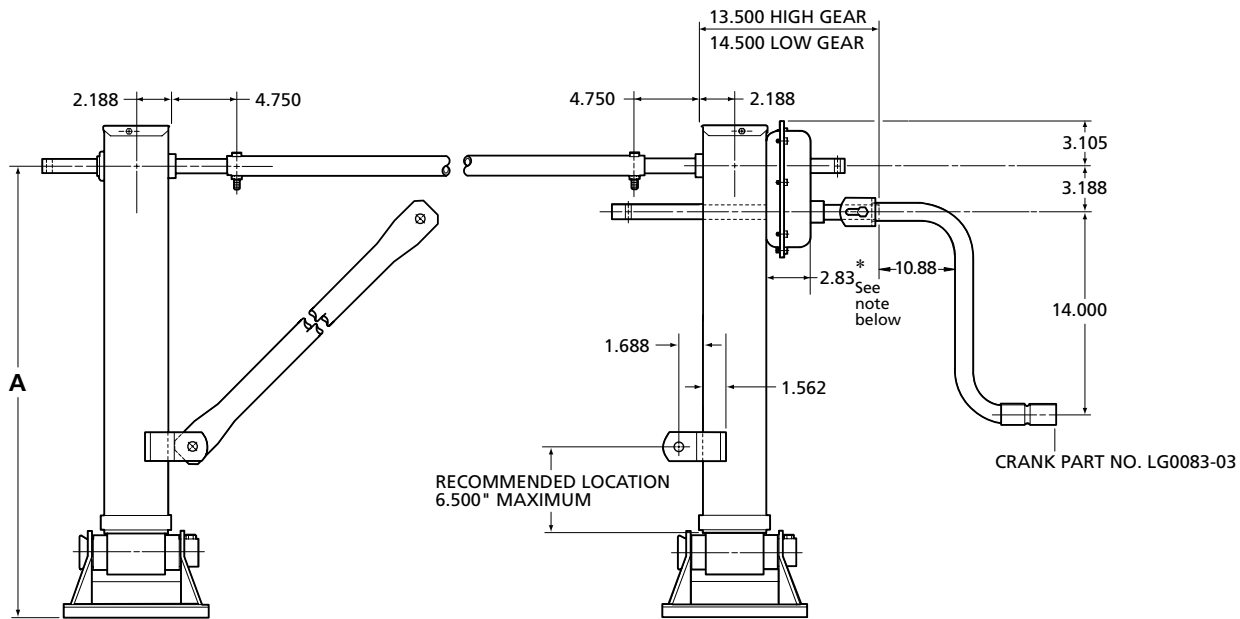
**MANUFACTURED AFTER
SEPTEMBER 2010**

NO.	DESCRIPTION	TRAVEL		
		13.50"	17"	19"
2A	Retract Tube - Axle	LG3012-01	LG3012-03	LG3012-04
2B	Retract Tube - Dropleg	LG3015-01	N/A	N/A

NO.	DESCRIPTION	PART NO.	SPEED	
			ONE	TWO
1A	Upper Housing LH	N/A	1	-
1B	Upper Housing RH	N/A	-	1
3	Collar	XB-LG0544	1	1
4	Thrust Bearing	XB-BRG-013-77	1	1
5	Washer - FL 2" OD x 1.19" ID x .13" THK	XB-PW-016-62	1	1
6	Pin - DIA .38" x 2"	XA-CRP-V-06635	1	1
7	Bevel Gear	LG2884	1	1
8	Pinion Gear	LG1823-02	1	1
9	Groove Pin - DIA .38" x 1.50"	XB-GP-014-18	1	2
10	Ftg - Grease .25"-28 Self Tapping	XB-GRF-022-16	2	3
12	Jack Shaft LH - Universal Mount	LG2964-01	1	-
	- Dropleg	LG2964-101	1	-
13	Pin - Spring DIA .25" x 1.5" (not required)	N/A	-	-
14	Cover Gasket	XB-LG0893	1	1
15	Top Cover	XA-LG0880	1	1
16	Self-Tapping Screw .25"-20 x .5" Lg	XB-ST5-008-11	2	9
17	Screw, Hex Cap .38"-16 x 2.25" Lg GR5	XB-HHC-050-42	1	2
18	Self-Locking Nut .38"-16 - Sandshoe	XB-SLN-012-04	2	3
19	Washer .38" Std Type A	XB-PW-016-03	-	2
20	Gearbox Half, Outside w/Hole for Grease Fitting	LG2996	-	1
22	Output Gear	LG2980	-	1
23	Jackshaft RH - Universal Mount	LG2963-01	-	1
24	Input Gear - High	LG2968	-	1
25	Input Gear - Low	LG2969	-	1
26	Groove Pin, Type E DIA .38" x 2.00" Lg	XB-GP-052-21	-	1
27	Shift Shaft - Universal Mount	LG3011-01	-	1
30	Idler Gear	LG2975	-	1
33	Hex Lock Boss	LG2926	2	2
34	Output Shaft Bushing	LG3005	-	2
35	Boss Bearing - Sealed	LG0659-10	-	3

NO.	DESCRIPTION	PART NO.	SPEED	
			ONE	TWO
38	Sandshoe - 10" x 10" x 4.50"	50616001	1	1
	- 10" x 10" x 2.00"	50616008	1	1
39	Sandshoe Axle - Hollow Axle 8.50" Lg	LG0070-02	1	1
40	Screw, Hex Cap .38"-16 x .75" Lg GR5 - Sandshoe	XB-HHC-050-69	1	1
41	Tube - Inner Telescoping Drop Leg LH	LG0827-01	1	-
42	Tube - Inner Telescoping Drop Leg RH	LG0827	-	1
43	Pull Pin	LG2314	1	1
44	Self-Tapping Screw- .38" - 16 x .44"	XB-ST5-008-17	1	1
46	Bevel & Pinion Gear Repair Kit	RK-11442	1	1
47	Gear Box Repair Kit	RK-11443	-	1
48	Black Armour™ Touchup Kit (not shown)	RK-10919	1	1

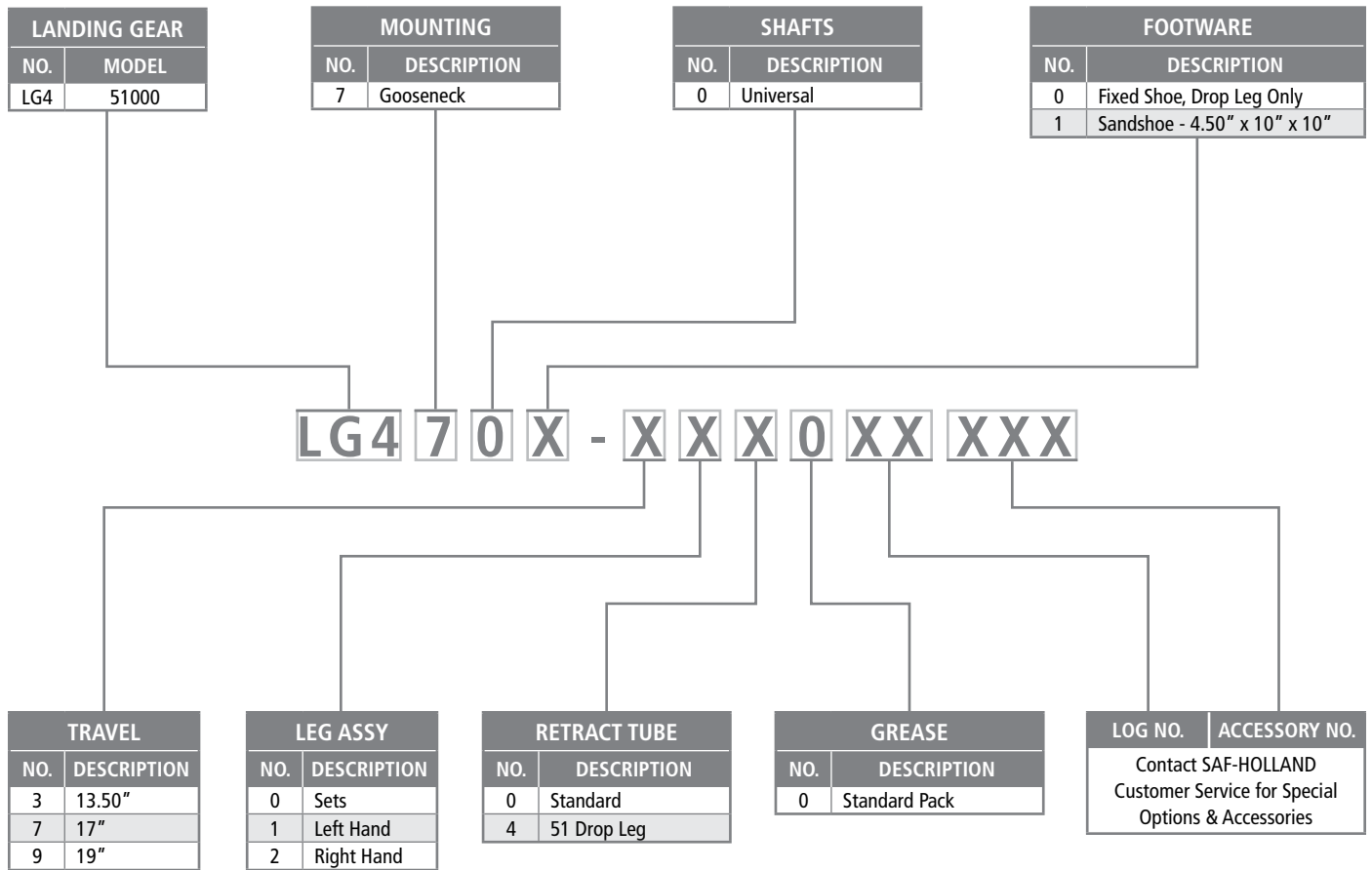
**For technical assistance please go to
www.safholland.us or call 800.876.3929**

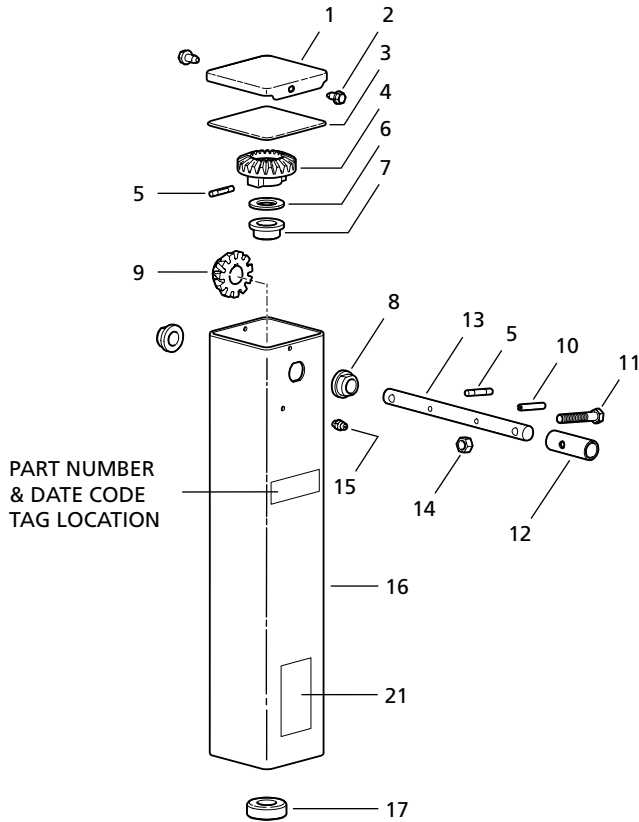


4700 & 4701 DIMENSIONS

TRAVEL	10x10x4.50 & 10x12x4.50 Sandshoe		10x10x2 & 10x12x2 Sandshoe		SHOCKFOOT		SHOCKFOOT SHOCK CAN		R.C.F. - STD		R.C.F. - MRL		CRANK PART NO.	"C"
	"A"	"B"	"A"	"B"	"A"	"B"	"A"	"B"	"A"	"B"	"A"	"B"		
13.5"	28.69	25.56	26.19	25.56	29.00	28.56	N/A	N/A	27.25	25.56	27.25	25.56	LG0083-01	5.25
17"	31.19	28.06	28.69	28.06	31.75	30.06	28.75	28.06	31.75	30.06	29.75	28.06	LG0083-03	10.88
19"	33.69	30.06	31.19	30.06	31.75	30.06	N/A	N/A	32.38	30.06	N/A	N/A	LG0083-05	16.88

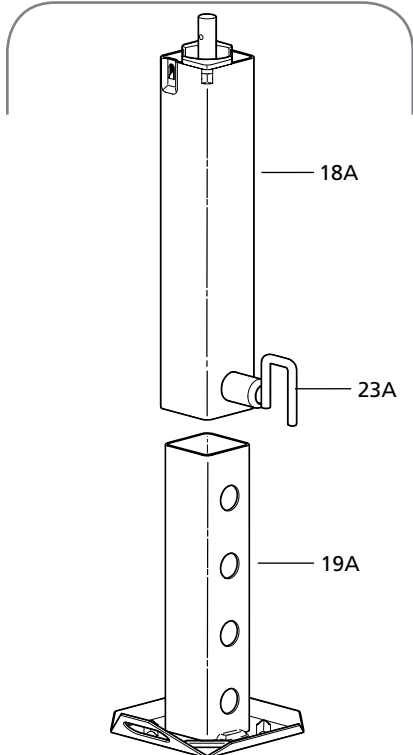
*Before September 2011 DIM was 3.91"



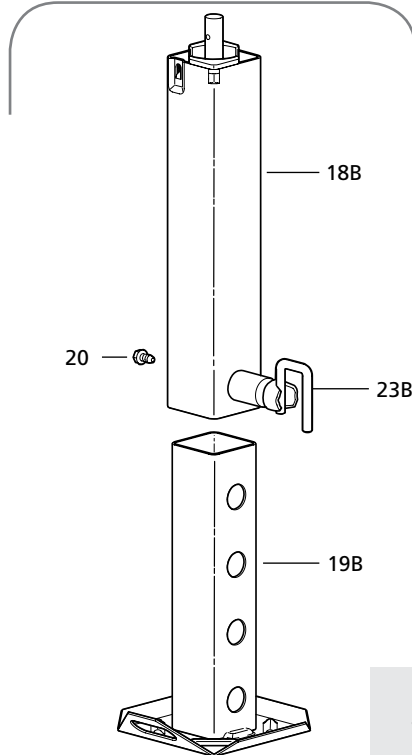


NO.	DESCRIPTION	PART NO.	QTY.
1	Top Cover	XA-LG0880	1
2	Self-Tapping Screw - .25"-20 x .50"	XB-ST5-008-11	2
3	Cover Gasket	XB-LG0893	1
4	Bevel Gear	XB-LG2027	1
5	Groove Pin - .25" x 1.50" Type E	XB-GP-014-07	2
6	Washer - 1.02" ID x 1.75" OD x .13" Thk	XB-PW-016-51	1
7	Flange Bearing	XB-LG1460	1
8	Slip-Fit Bushing	LG2329	2
9	Pinion Gear	XB-LG2026	1
10	Spring Pin - .25" x 1.50"	XB-SP-014-27	1
11	Hex Head Screw - .38"-16 x 2.25" Grade 5	XB-HHC-50-42	1
12	Crank Adapter	XB-CP4651-16	1
13	Jack Shaft	LG2328	1
14	Self-Locking Nut - .38"-16 Grade B	XB-SLN-012-04	1
15	Grease Fitting - .25"-28	XB-GRF-022-16	1
16	Upper Housing	LG2392-01	1
17	Thrust Bearing	XB-BRG-013-70	1
18A	Tube Assy - Std. Retracting	LG1899	1
18B	Tube Assy- Cam-Lock Retracting Drop Leg	LG1721	1
19A	Tube - Inner Telescoping	LG1720-40	1
19B	Tube - Inner Telescoping	LG1720-10	1
20	Self-Tapping Screw - .38"-16 x .44"	XB-ST5-008-17	1
21	Decal - Model 48000 Spring Loaded	XB-DCL-031-79	1
22	Extension Spring (Not Shown)	XB-SPG-020-26	1
23A	Pull Pin	LG0590	1
23B	Pull Pin	LG2314	1
24A	Tube Assy - Retract Screw - Cam-Lock	LG1723-02	1
24B	Tube Assy - Retract Screw - Spring Loaded	LG1723-01	1
25	Black Armour™ Touchup Paint (not shown)	RK-10919	1

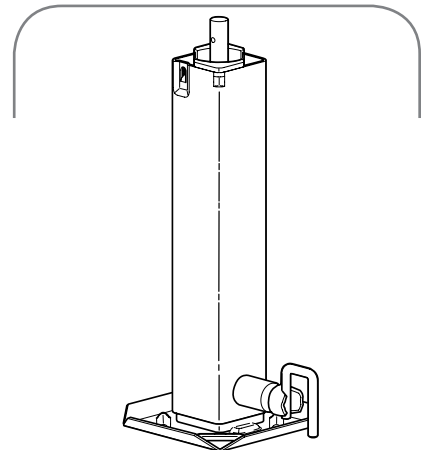
Standard Model
LG8700-3100000
 (Not Available as Assembly)



Cam Lock Model
LG8700-31200000
 (Item Number 24A)



Spring Loaded Model
LG8700-313072000
 (Item Number 24B)
 Available as Assembly Only.



MODEL NO.	APPROXIMATE WEIGHT
LG8700-31000000	41.20 lbs. w/o Accessories
LG8700-31200000	51.42 lbs. w/o Accessories
LG8700-31300000	44.53 lbs. w/o Accessories

For technical assistance please go to www.safholland.us or call 800.876.3929

21. Decal
XB-DCL-031-79
(Supplied with Spring Loaded models only.)

MODEL 48000SL
SPRING-LOADED DROP LEG
OPERATING INSTRUCTIONS

LOCKED POSITION

RELEASED POSITION

TO LOWER LEG:

1. Rotate handle to released position with hand or foot.
2. Place foot on drop leg shoe and lower spring-loaded drop section to desired extension.
3. Rotate handle to locked position with hand, then lift foot from shoe slowly until drop leg automatically locks in next hole position.
4. Rotate landing gear crank to extend leg until desired trailer height is obtained.

WARNING

SPRING-LOADED DROP LEG
RETRACTS WITH FORCE AND
CAN CUT AND CRUSH WHEN
RETRACTING.

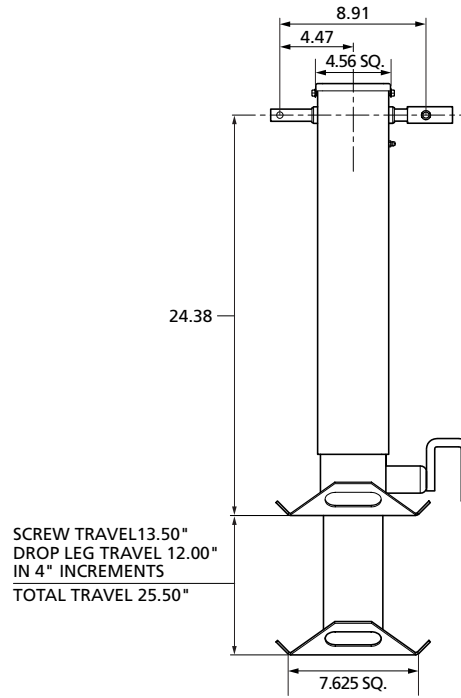
KEEP HANDS AND FEET CLEAR
OF THE DROP SECTION WHILE
OPERATING THE RELEASE
HANDLE.

TO RETRACT LEG:

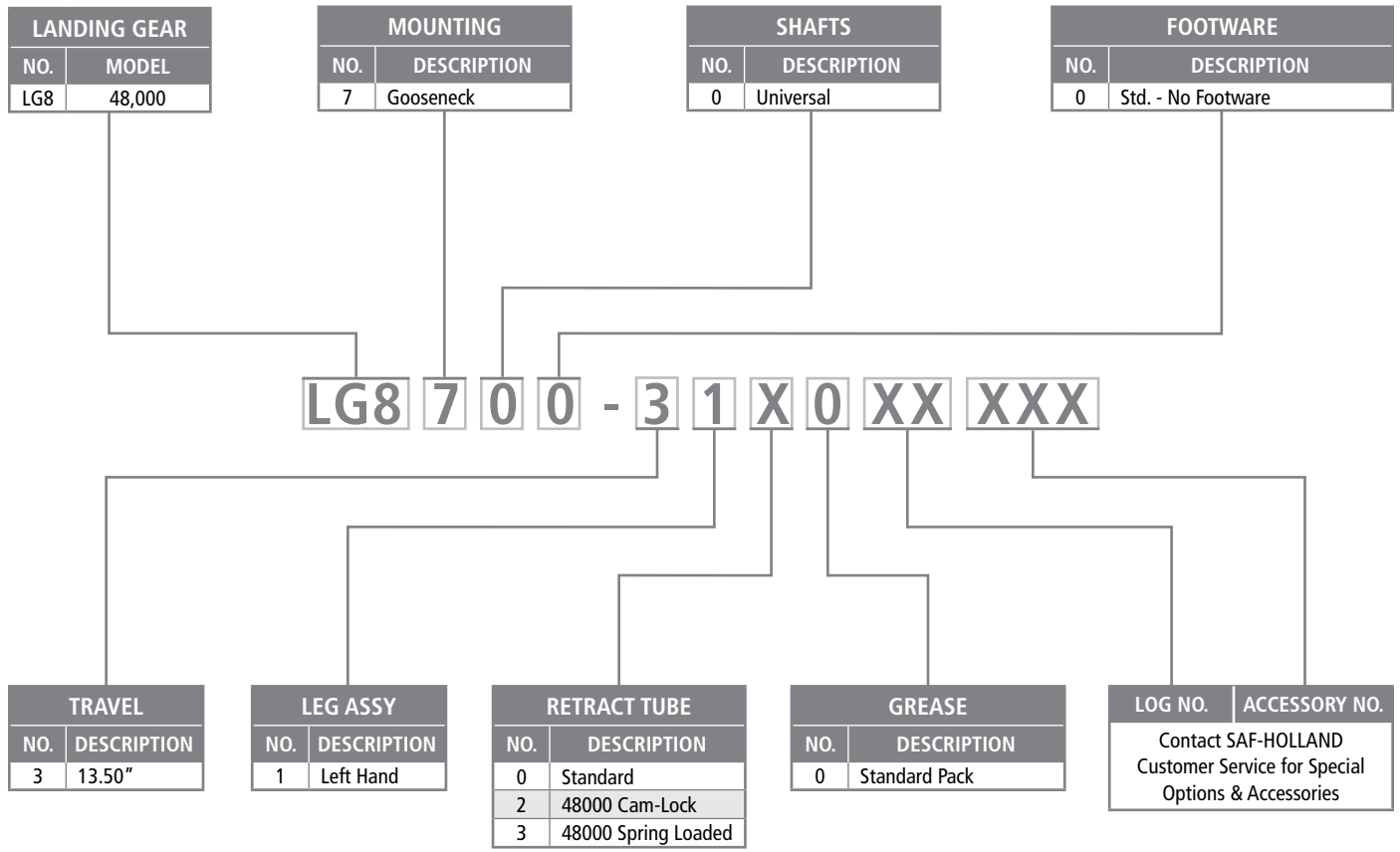
1. Rotate crank to retract leg to fully retracted (minimum) position.
2. Keeping hands and feet clear of the drop section, rotate handle to released position, which will automatically retract the spring-loaded drop section into the landing gear.
3. Rotate handle to locked position with hand or foot.

SAF-HOLLAND
 Copyright © 2005 • The Holland Group, Inc. XB-DCL-031-79 Rev. C XL-LG348-01

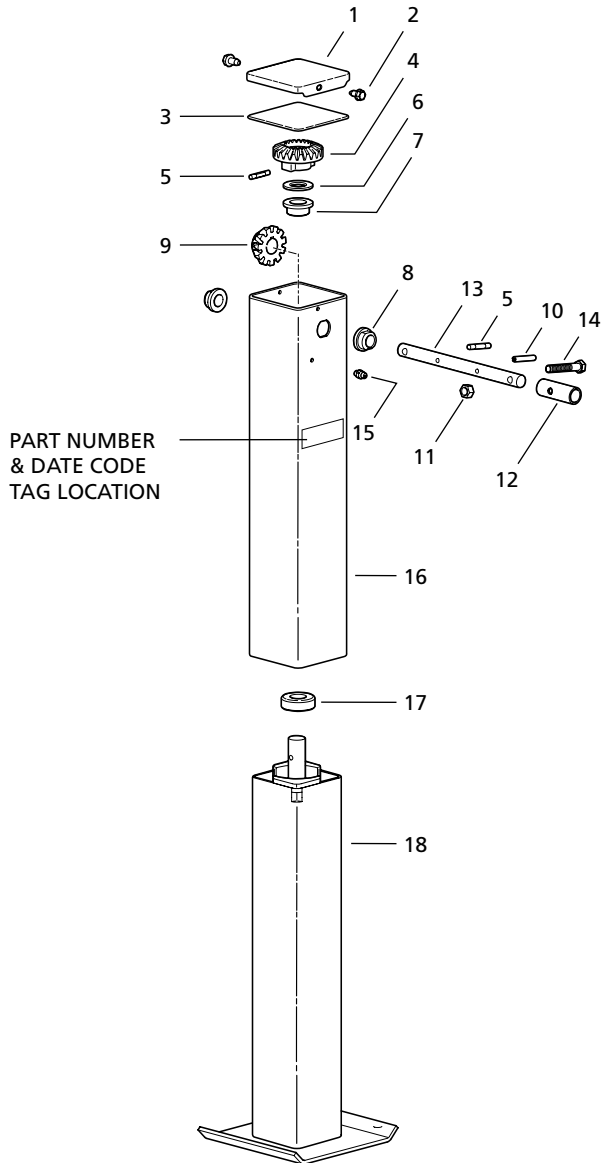
DIMENSIONS & CAPACITIES



Lift Capacity: 10,000 lbs.
 Rated Static Load Capacity: 12,000 lbs.
 Weight: Approximately 50 lbs.



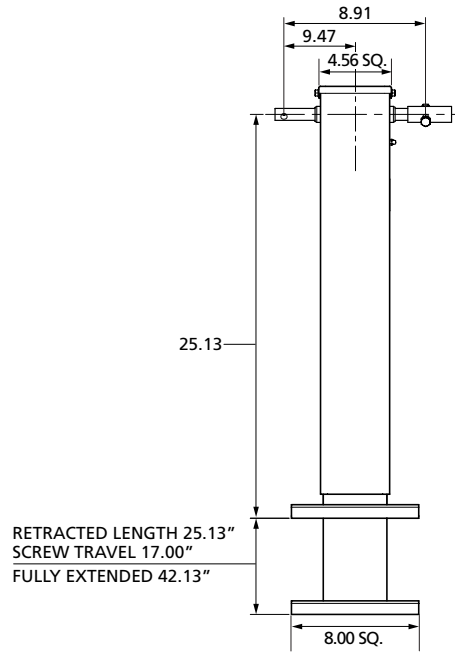
LG9700-71000000



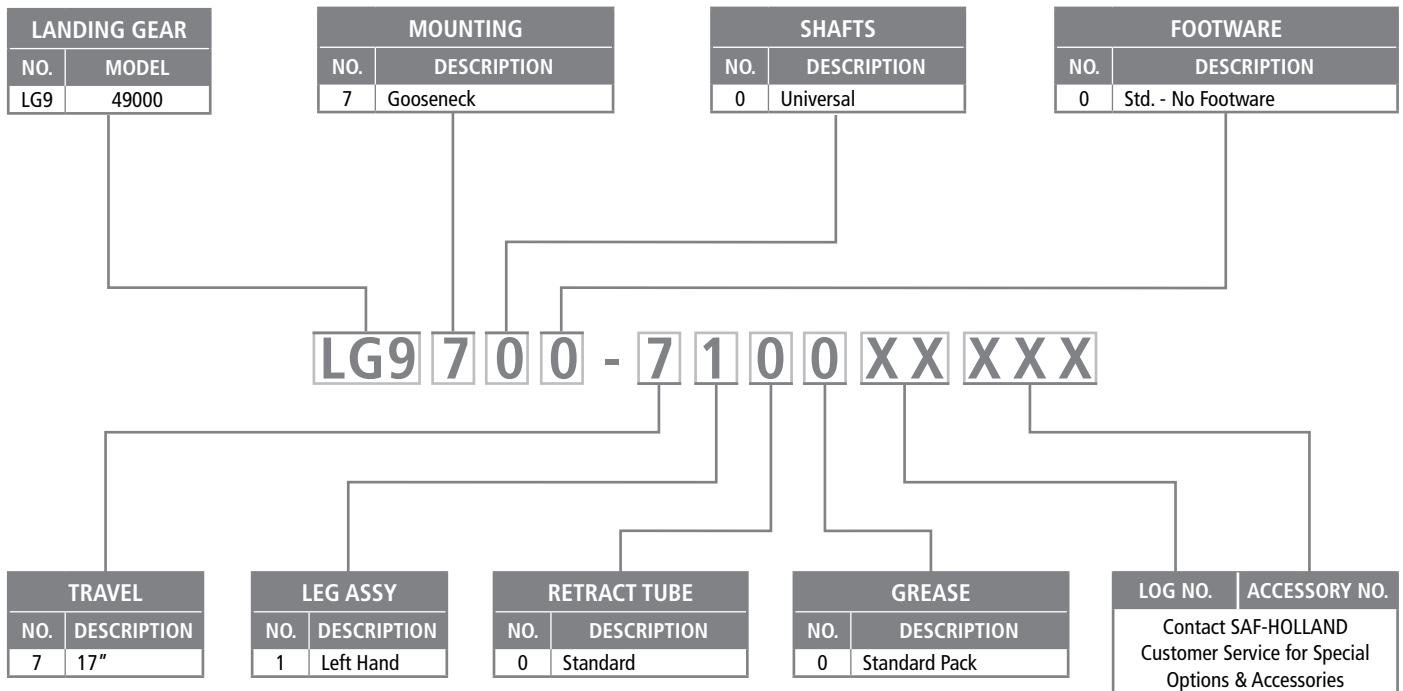
NO.	DESCRIPTION	PART NO.	QTY.
1	Top Cover	XA-LG0880	1
2	Self-Tapping Screw - .25"-20 x .50"	XB-ST5-008-11	2
3	Cover Gasket	XB-LG0893	1
4	Bevel Gear	XB-LG2027	1
5	Groove Pin - .25" x 1.50" Type E	XB-GP-014-07	2
6	Washer - 1.02 ID x 1.75 OD x .13 THK	XB-PW-016-51	1
7	Flange Bearing	XB-LG1460	1
8	Slip-Fit Bushing	LG2329	2
9	Pinion Gear	XB-LG2026	1
10	Spring Pin - .25" x 1.50"	XB-SP-014-27	1
11	Self-Locking Nut - .38"-16 Grade B	XB-SLN-012-04	1
12	Crank Adapter	XB-CP4651-16	1
13	Jack Shaft	LG2328	1
14	Hex Head Screw - .38"-16 x 2.25" Grade 5	XB-HHC-50-42	1
15	Grease Fitting - .25"-28	XB-GRF-022-16	1
16	Upper Housing	LG2392-02	1
17	Thrust Bearing	XB-BRG-013-70	1
18	Tube Assy - Retracting & Screw - 49000	LG1468	1
19	Black Armour™ Touchup Paint (not shown)	RK-10919	1

For technical assistance please go to
www.safholland.us or call 800.876.3929

DIMENSIONS & CAPACITIES

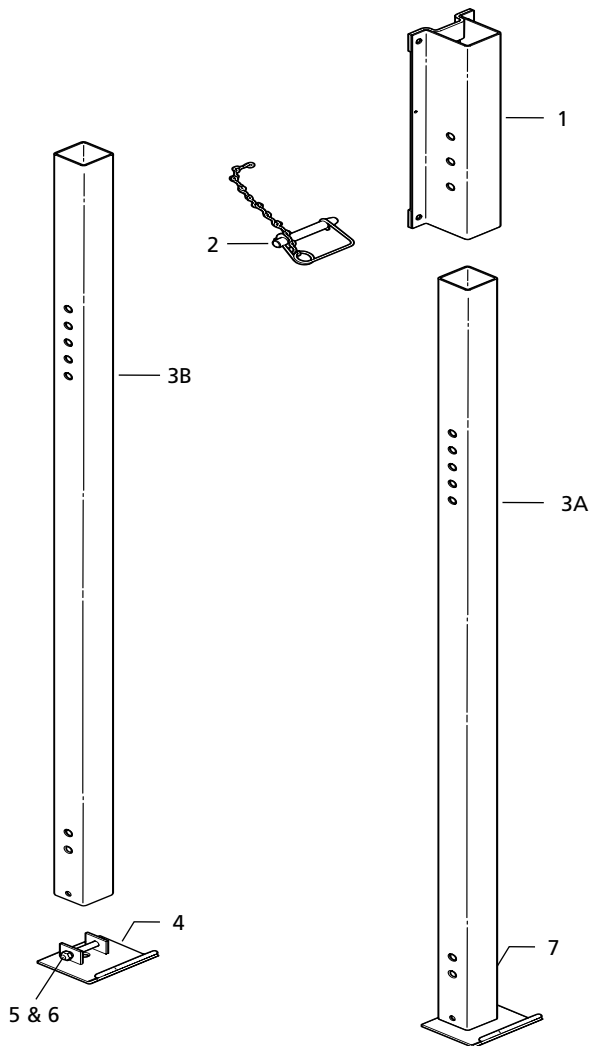


Lift Capacity: 10,000 lbs.
Rated Static Load Capacity: 15,000 lbs.
Weight: Approximately 36 lbs.



NO.	DESCRIPTION	PART NO.	QTY.
1	Upper Housing	LG1871	1
2A	Lockpin Assembly	LG1877	1
2B	Lockpin Assembly w/o Chain	XB-CP4647-10	1
3A	Inner Tube - Welded Shoe	SEE CHART	1
3B	Inner Tube - Removable Shoe	SEE CHART	1
4	Removable Shoe	LG0177	1
5	Hex Head Screw - .50" -13 x 3.50"	XB-HHC-001-40	1
6	Self-Locking Nut - .50" -13	XB-SLN-012-07	1
7	Decal - Operating Instructions	XB-DCL-031-66	1

For technical assistance please go to www.safholland.us or call 800.876.3929



7. Decal
XB-DCL-031-66

**OPERATING INSTRUCTIONS
ANTI NOSE DIVE JACK**

TO EXTEND JACK:

1. Unhook the lock pin retainer clip.

CAUTION

KEEP HANDS AND FEET CLEAR OF WHERE
INNER TUBE CONTACTS GROUND.

2. Lift up on inner tube, and remove lock pin.
3. Lower inner tube to the ground.
4. Install lock pin in any of the three upper housing holes. (The inner tube may have to be lifted slightly to align holes.)
5. Hook the lock pin retainer clip.

CAUTION

INNER TUBE FOOT MUST BE
WITHIN 2" OF THE GROUND.

TO RETRACT JACK:

1. Unhook the lock pin retainer clip.
2. Remove lock pin.
3. Lift inner tube into minimum retracted position.
4. Install lock pin.
5. Hook lock pin retainer clip.

UPPER HOUSING

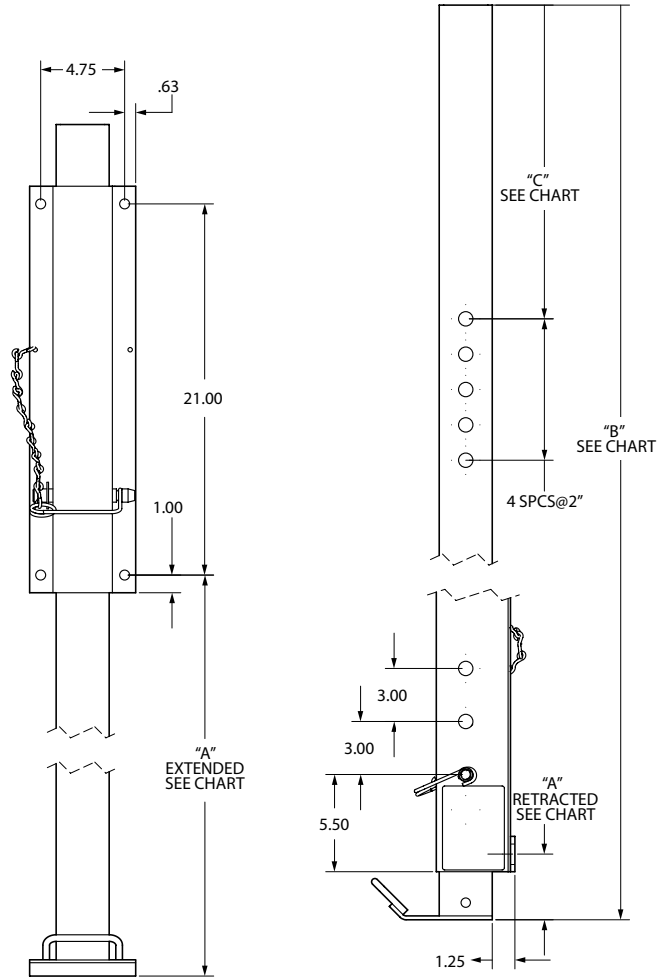
LOCK PIN

INNER TUBE

SEE THE INSTRUCTIONS

XB-DCL-031-66 REV. C
XL-LG344-01

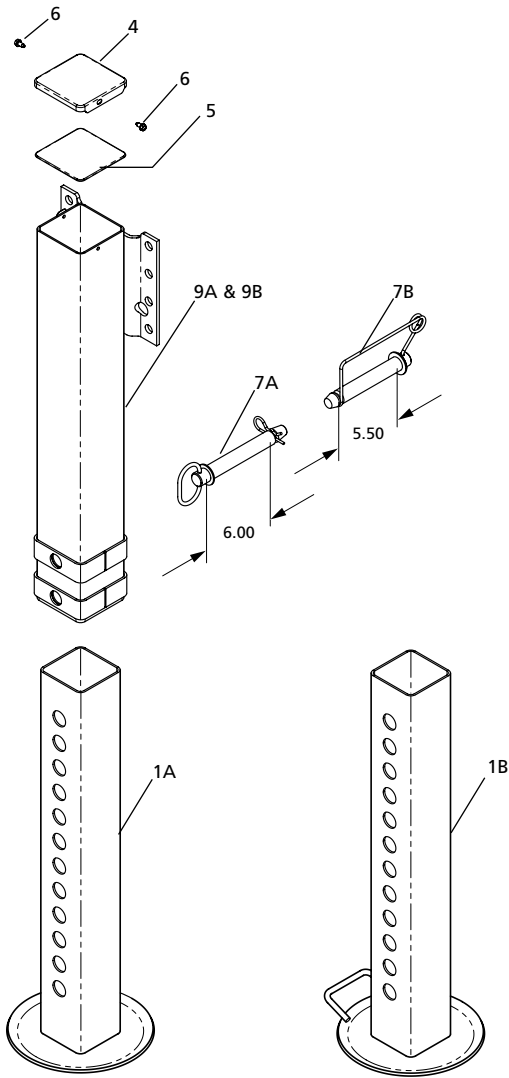
Copyright © 2005 • The Holland Group, Inc.



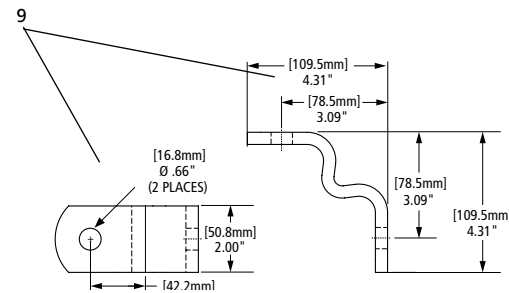
Vertical Load Rating: 10,000 lbs.

ANTI-NOSE DIVE DIMENSIONS

NO.	PART NO.	DESCRIPTION	DIMENSION "A" LENGTH		TOTAL LENGTH "B"	TOP PIN HOLE "C"	INNER TUBE PART NO.	WT. (LBS)
			Retracted (2 positions)	Extended in 1" Increments				
3A	LG1870	Shipped fully assembled, welded shoe	1.75-3.75	52.25-66.25	88.50	17.75	LG1872	86.30
	LG1870-01	Shipped disassembled, welded shoe	1.75-3.75	52.25-66.25	88.50	17.75	LG1872	86.40
	LG1870-07	Shipped disassembled, welded shoe	1.75-3.75	42.25-56.25	78.50	17.75	LG1872-03	55.80
3B	LG1870-02	Shipped fully assembled, removable shoe	1.75-3.75	52.25-66.25	88.66	17.75	LG1874-01	87.00
	LG1870-04	Shipped fully assembled, removable shoe & drop out stop	1.75-3.75	52.25-66.25	88.66	17.94	LG1879	52.50
	LG1870-05	Shipped fully assembled, removable shoe	1.75-3.75	42.25-56.25	78.50	17.75	LG1874-03	21.40

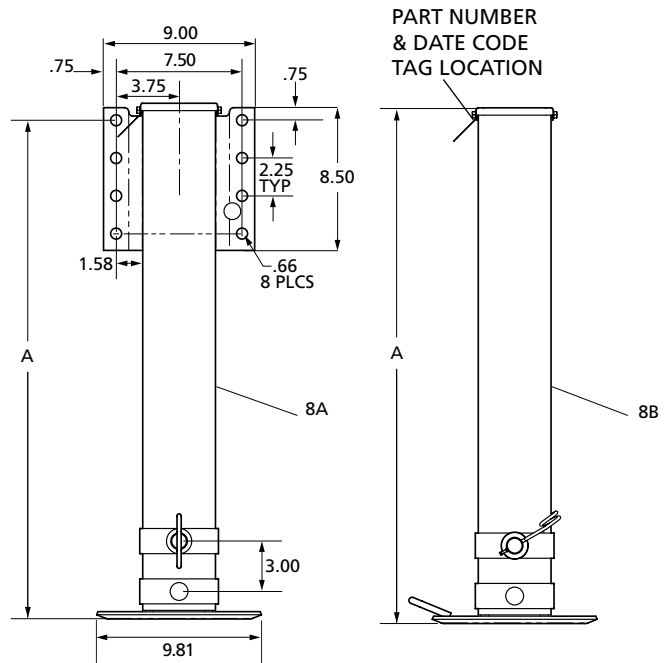


NO.	DESCRIPTION	PART NO.	QTY.
1A	Drop Tube Assy	LG2151	1
1B	Drop Tube Assy w/Handle	LG2151-101	1
3	Drop Leg Housing Assy	N/A	1
4	Top Cover	XA-LG0880	1
5	Cover Gasket	XB-LG0893	1
6	Self-Tapping Screw .25"-20 x .50"	XB-ST5-008-11	2
7A	Hitch Pin (Standard)	XB-HTP-014-69	1
7B	Snap-Lock Pin (Optional)	XB-LKP-014-100	1
8	Upper Housing Assy - w/Mounting Bracket	LG2153	1
8	Upper Housing Assy - w/out Mounting Bracket	LG2153-102	1
9	Strut Bracket (shipped loose)	LG0266	1



PART NO.	DIMENSION "A"			WEIGHT (LBS)
	EXTENDED LENGTH IN 1" INCREMENTS	RETRACTED LENGTH	TOTAL TRAVEL	
JS150-SB*	54.70	29.70	25.00	47.10
JS150-SB-102*	51.70	26.70	25.00	44.80
JS150-SB-101*	55.58	30.58	25.00	47.30

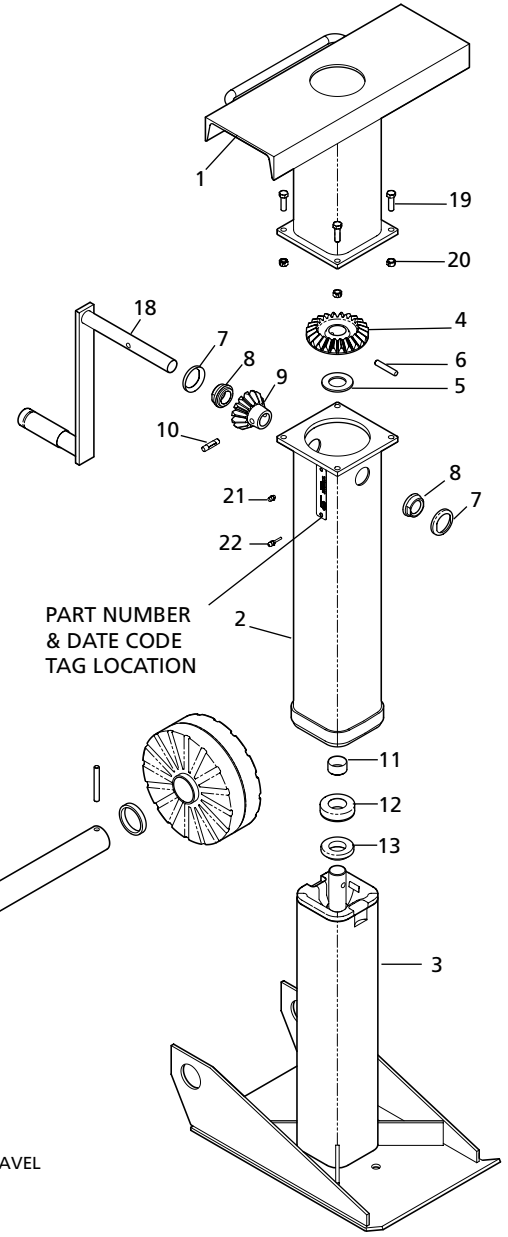
*Can add - NB to the end of part number for No Brackets (LG0266). LG0266 Strut Bracket included but not shown. See Accessories Catalog No. XL-AM10013PM for bracket information.



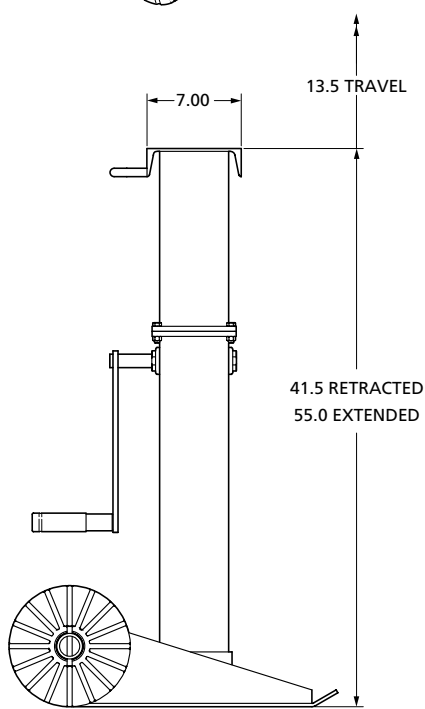
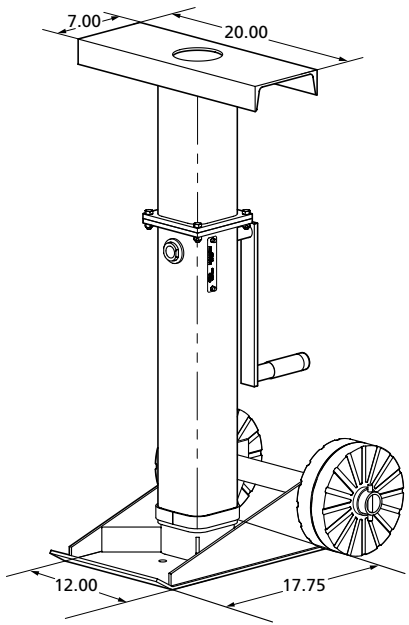
For technical assistance please go to www.safholland.us or call 800.876.3929

Standard Vertical Load Capacity: 30,000 lbs.

NO.	DESCRIPTION	PART NO.	QTY.
1	Lift Assembly	XA-V-77070	1
2	Upper Tube Assembly	XA-V-77071	1
3	Inner Leg & Screw Assembly	XA-V-07957	1
4	Bevel Gear	XA-V-06601	1
5	Washer 1.26" ID x 2.25" OD	XB-V-06632	1
6	Pin, .38" x 2"	XA-CRP-V-06635	1
7	Retainer	XB-LG1570	2
8	Double Step Bearing	XB-LG0559	2
9	Bevel Pinion Gear	XA-V-06600	1
10	Grooved Pin .38" x 1.50"	XB-GP-38-1-12-E	1
11	Screw Bushing	XB-V-06630	1
12	Thrust Bearing	XB-V-647	1
13	Collar	XB-V-06629	1
14	Wheel S/A, Heavy Duty	XB-V-747-HD-1	2
15	Spring Pin	XB-21-S-375-3000	2
16	Spacer	XA-02154	2
17	Axle	XA-V-1875-10	1
18	Gear Shaft Assembly	XA-V-07954	1
19	HHCS .38"-16 x 1.13" Plated	XB-C-375-C-125	4
20	Nut Lock .38"-16	XB-338	4
21	Lube Fitting	XB-767	1
22	Lube Fitting w/Extension Tube	XB-767-L	1

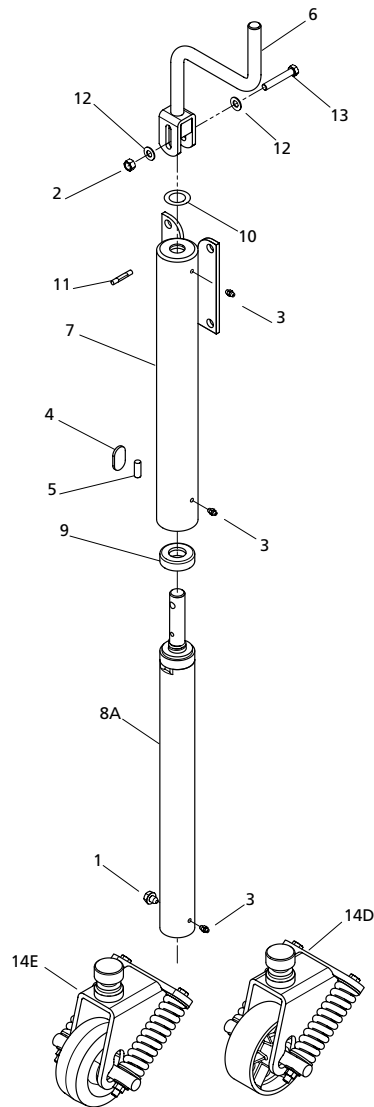
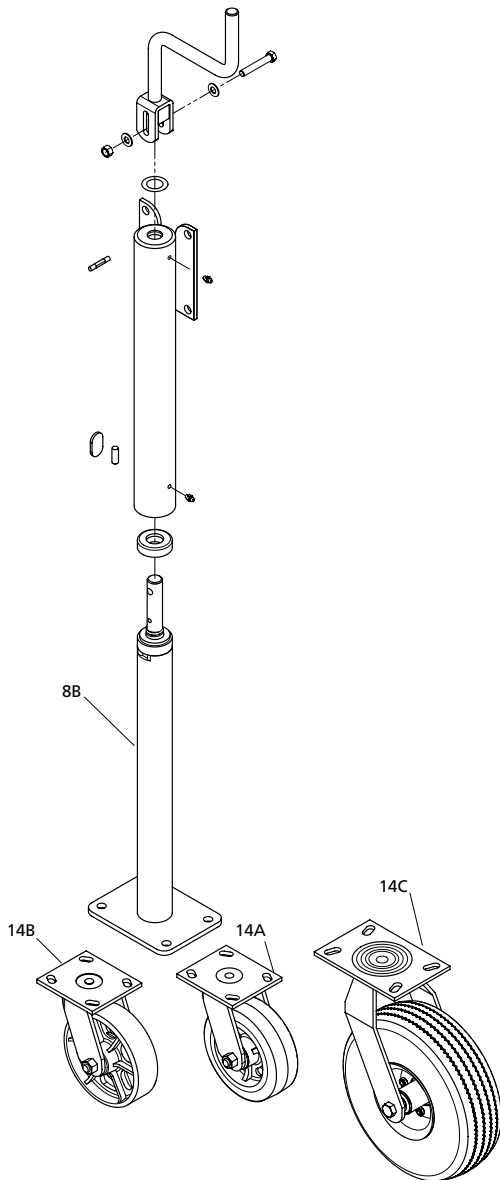


For technical assistance please go to www.safholland.us or call 800.876.3929



Static Load Capacity: 62,500 lbs.
 Lift Capacity: 8,000 lbs.
 4.1 Crank Turns per 1" Travel
 Weight: 148.00 lbs.

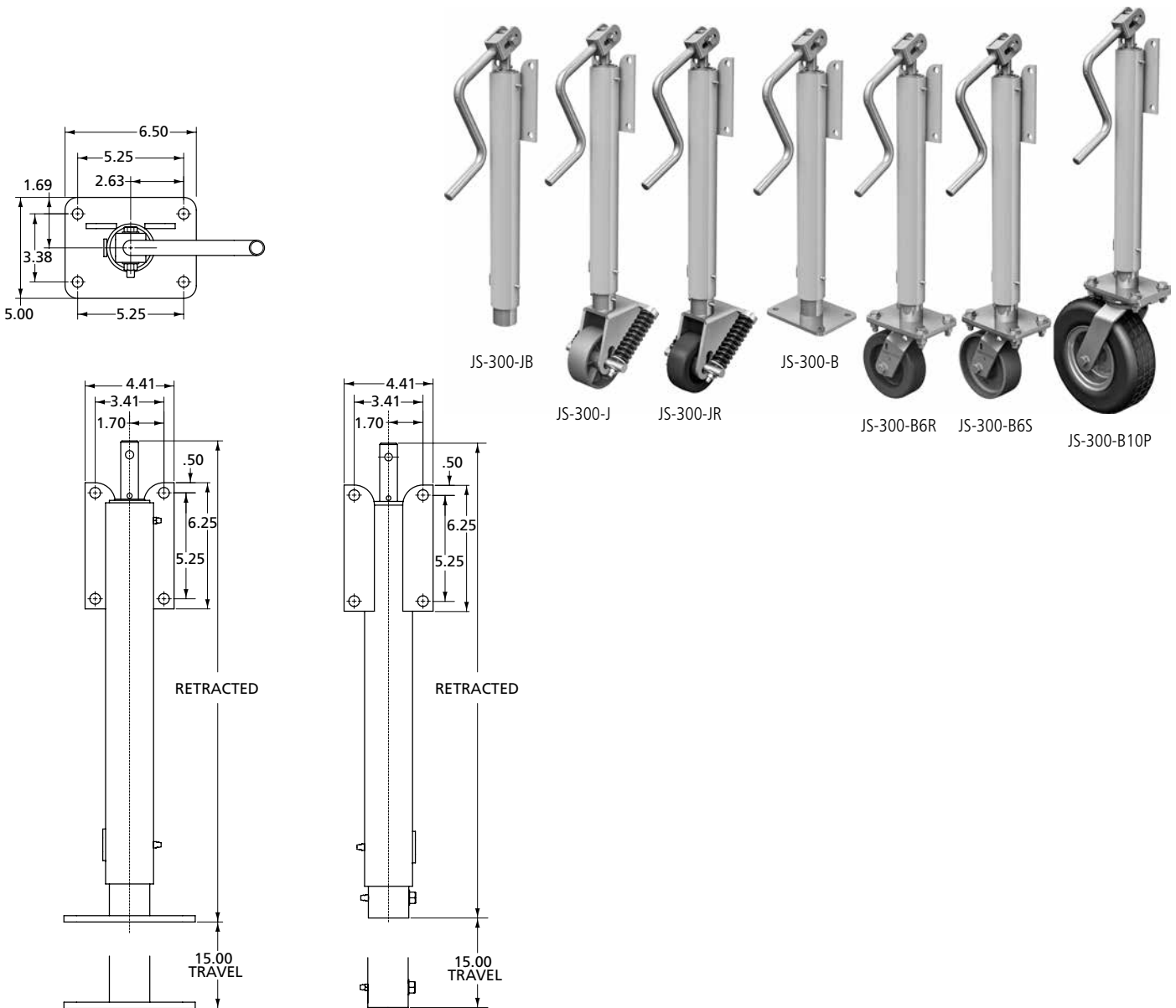
NO.	DESCRIPTION	PART NO.	QTY.
1	Selftap Screw - .38" - 16 x .44" Hex Head	XB-ST5-008-17	1
2	Self locking Nut - .38" - 16 Grade B	XB-SLN-012-04	1
3	Grease Fitting - .25" - 28 Straight	XB-GRF-022-16	3
4	Punchout Slot, Retract Tube	LG1973-50	1
5	Dowel Pin 38" x 1" Std Series	LG2596	1
6	Crank Assy	XA-V-298-01	1
7	Leg Assy - Upper	LG2601	1
8A	Leg Assy - Lower	LG2602	1
8B	- Lower	LG2955	1
9	Thrust Bearing	XB-BRG-013-70	1
10	Washer 1.50" OD x .94" ID x .06"	XB-PW-016-88	1
11	Grooved Pin	XB-GP-014-07	1
12	Plain Washer .41" ID x .81" OD x .06"	XB-PW-016-03	2
13	HD Hex Screw, .38" - 16 x 2.25"	XB-HHC-050-42	1
14A	Swivel Caster - 800 lb Capacity	XB-03695	1
14B	1200 lb Capacity	XB-03857	1
14C	600 lb Capacity	XB-03858	1
14D	Caster Assembly - 1200 lb. Capacity	LG2605	1
14E	Caster Assembly - 500 lb. Capacity	LG2954	1



STANDARD MODEL	RETRACTED LENGTH	FOOTWEAR	STATIC LOAD CAPACITY*	WT (LBS)
JS-300-J8	23.4"	None	-	23 lbs.
JS-300-J	30.3"	5" x 2" Steel	1200 lbs.	36 lbs.
JS-300-JR	30.3"	5" x 2" Plastic	500 lbs.	34 lbs.
JS-300-B	23.7"	None	-	25 lbs.
JS-300-B6R	31.4"	6" x 2" Mold-on Rubber	800 lbs.	35 lbs.
JS-300-B6S	31.4"	6" x 2" Cast Steel	1200 lbs.	37 lbs.
JS-300-B10P	36.2"	10" x 3" 4-Ply Pneumatic	600 lbs.	41 lbs.

* Actual capacity is determined by caster.

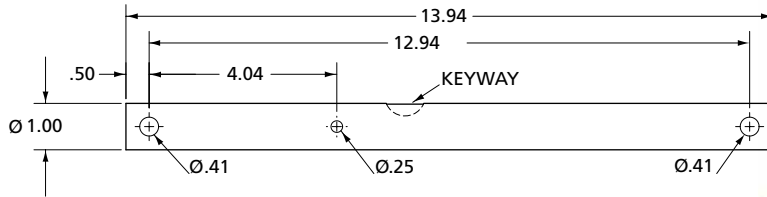
NOTE: Bracing is not included. SAF-HOLLAND recommends that adequate bracing of dolly jacks to dolly frames be used in order to ensure structural rigidity.



For technical assistance please go to www.safholland.us or call 800.876.3929

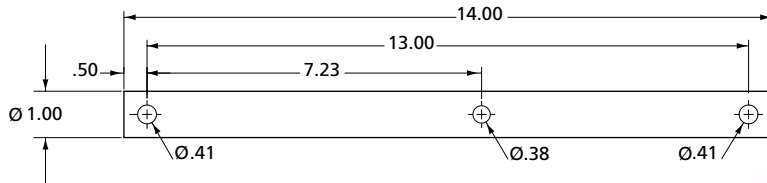
Jack Shafts - Left Hand Universal

51000 & 51000 NoLube™ (LG4),
 Fast Gear & Fast Gear NoLube™ (FG4),
 FOR MODELS BEFORE SEPTEMBER 2010
 4700 & 4701 Series (LG47)



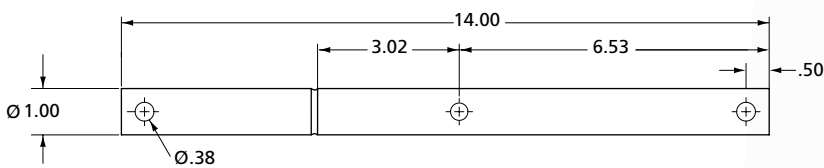
PART NO.	WEIGHT (lbs)
LG0927	2.99

ATLAS 55 & ATLAS 55 NoLube™ (LG4),
 FOR MODELS AFTER SEPTEMBER 2010
 4700 & 4701 Series (LG47)



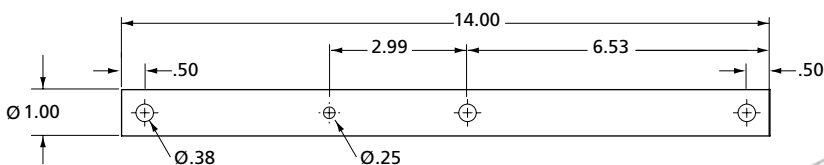
PART NO.	WEIGHT (lbs)
LG2964-01	3.00

Atlas 65 & Atlas 65 NoLube (Version 1)
 FOR MODELS BEFORE JANUARY 2013



PART NO.	WEIGHT (lbs)
2111100000430	3.00

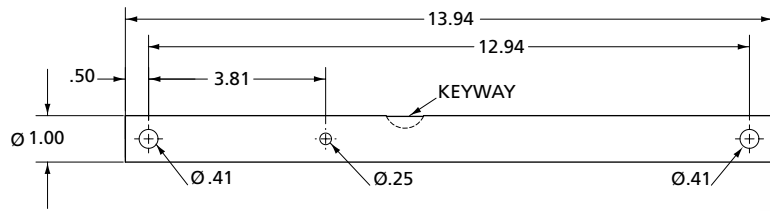
Atlas 65 & Atlas 65 NoLube (Version 2)
 FOR MODELS AFTER JANUARY 2013



PART NO.	WEIGHT (lbs)
2111100000431	2.99

Jack Shafts - Left Hand Universal

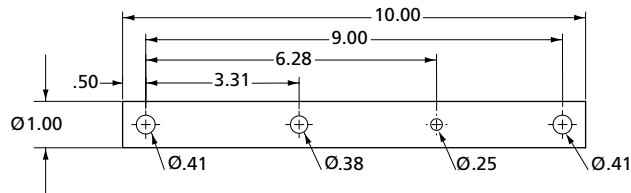
50000 & 50000 NoLube™ (LG5)



PART NO.	WEIGHT (lbs)
LG0259	2.99



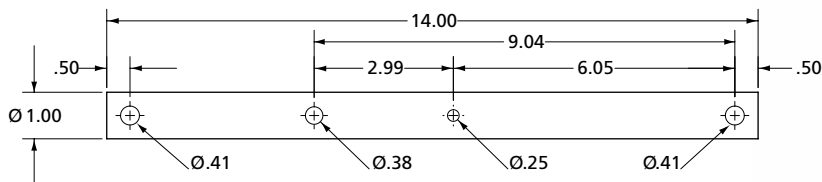
CMS2 & CMS3



PART NO.	WEIGHT (lbs)
750004	2.99



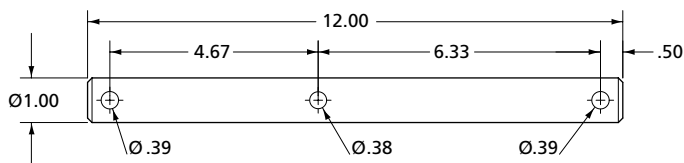
CLASSIC (LG2T)



PART NO.	WEIGHT (lbs)
LG-750004-01	2.99



MARK V & MARK V Heavy Duty

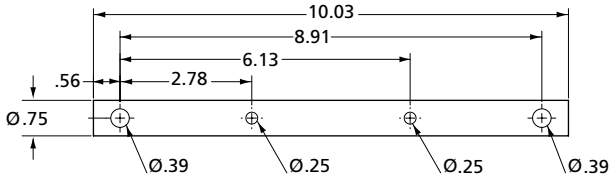


PART NO.	WEIGHT (lbs)
XA-V-06623-A	2.57



Jack Shafts - Left Hand Universal

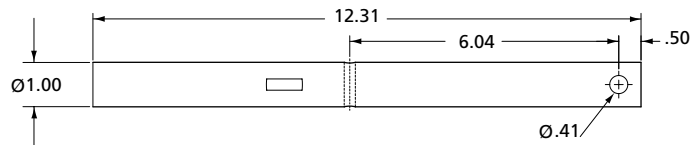
Dual-Pin Drop Leg (LGD700),
48000 Series (LG87),
4900 Series (LG97)



PART NO.	WEIGHT (lbs)
LG2328	1.19

Jack Shafts - Left Hand I-Beam

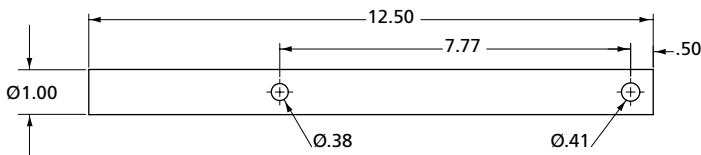
51000 & 51000 NoLube™ (LG4),
Fast Gear & Fast Gear NoLube™ (FG4)



PART NO.	WEIGHT (lbs)
LG0946	2.67



ATLAS 55 & ATLAS 55 NoLube™ (LG4)

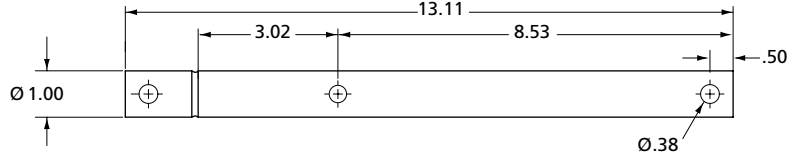


PART NO.	WEIGHT (lbs)
LG2964-04	2.69



Jack Shafts - Left Hand I-Beam

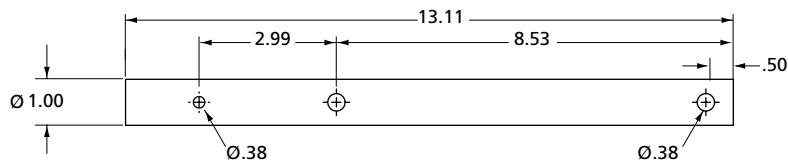
Atlas 65 & Atlas 65 NoLube (Version 1)
FOR MODELS BEFORE SEPTEMBER 2010



PART NO.	WEIGHT (lbs)
2111100000460	2.83



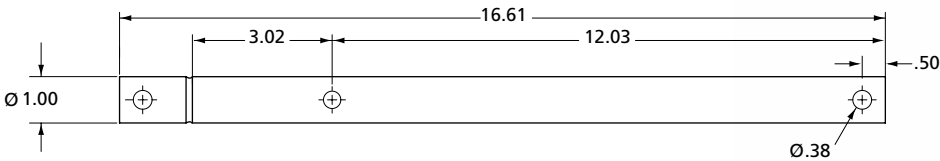
Atlas 65 & Atlas 65 NoLube (Version 2)
FOR MODELS AFTER SEPTEMBER 2010



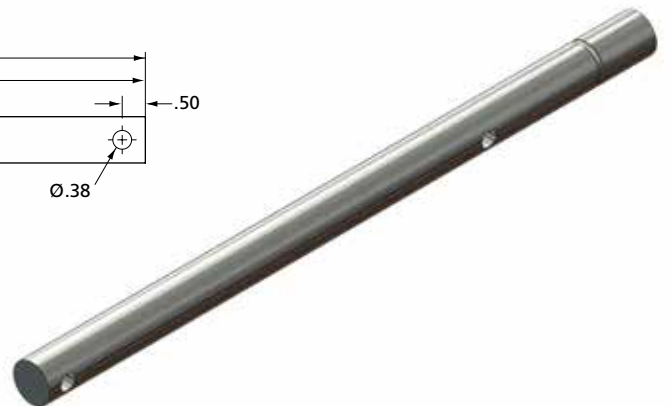
PART NO.	WEIGHT (lbs)
2111100000461	2.83



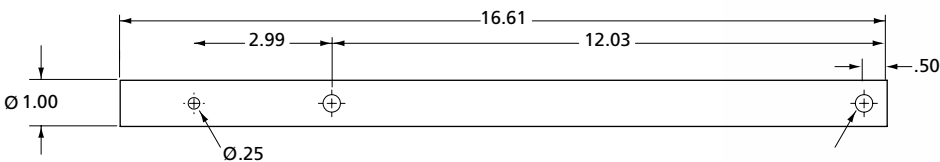
Atlas 65 & Atlas 65 NoLube (Version 1)
FOR MODELS BEFORE JANUARY 2013



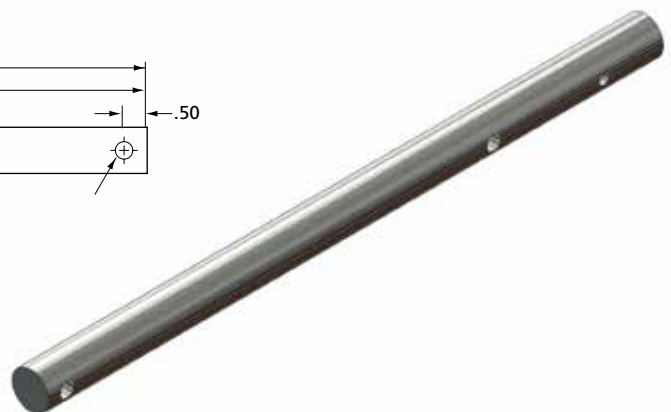
PART NO.	WEIGHT (lbs)
2111100000470	3.61



Atlas 65 & Atlas 65 NoLube (Version 2)
FOR MODELS AFTER JANUARY 2013

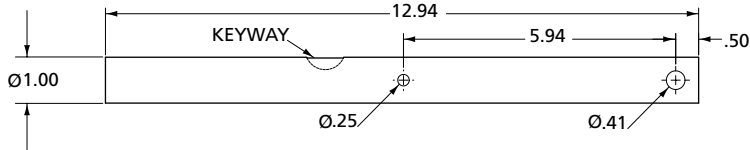


PART NO.	WEIGHT (lbs)
2111100000471	3.60



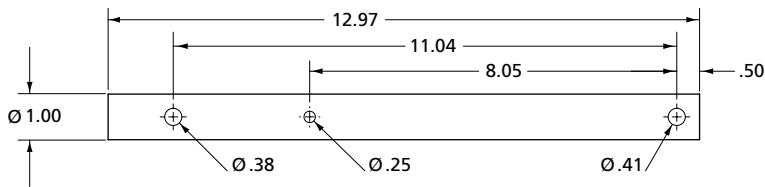
Jack Shafts - Left Hand I-Beam

50000 & 50000 NoLube™ (LG5)



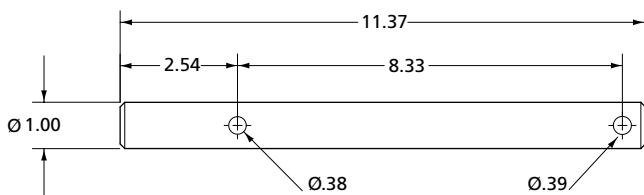
PART NO.	WEIGHT (lbs)
LG0369-01	2.80

CLASSIC (LG2T)



PART NO.	WEIGHT (lbs)
LG-750004-04	1.27

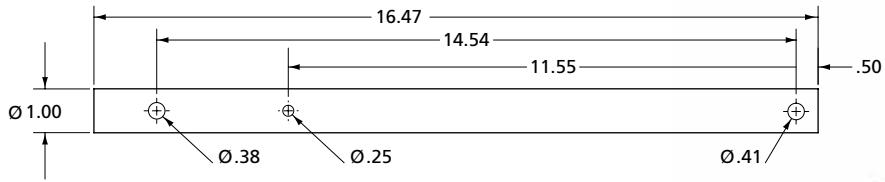
MARK V & MARK V Heavy Duty



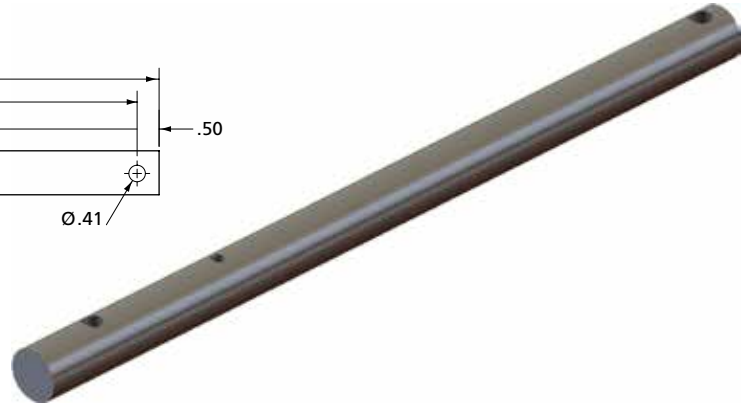
PART NO.	WEIGHT (lbs)
XA-V-06623-D	2.46

Jack Shafts - Left Hand I-Beam

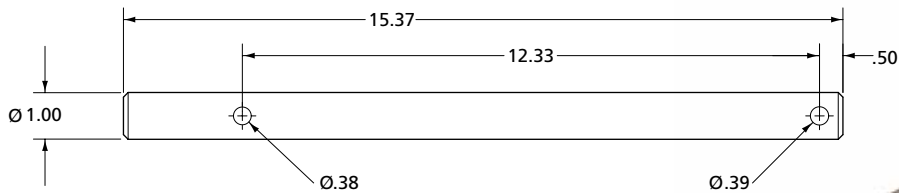
CLASSIC (LG2T)



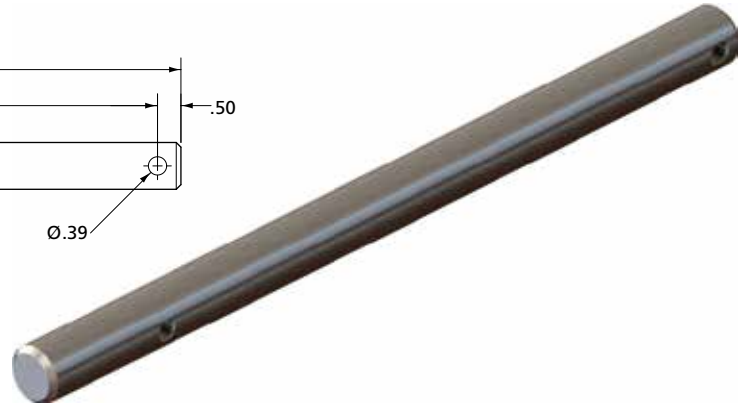
PART NO.	WEIGHT (lbs)
LG-750004-05	1.27



MARK V & MARK V Heavy Duty

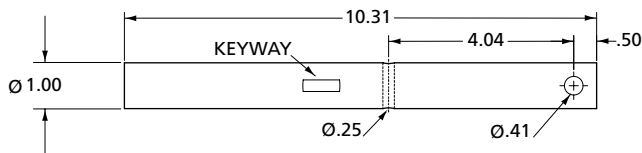


PART NO.	WEIGHT (lbs)
XA-V-06623-F	2.46



Jack Shafts - Left Hand Conventional

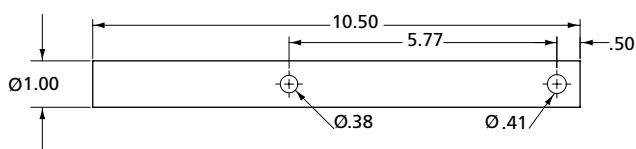
51000 & 51000 NoLube™ (LG4) Fast Gear & Fast Gear NoLube™ (FG4)



PART NO.	WEIGHT (lbs)
LG0946-02	2.22



ATLAS 55 & ATLAS 55 NoLube™ (LG4)

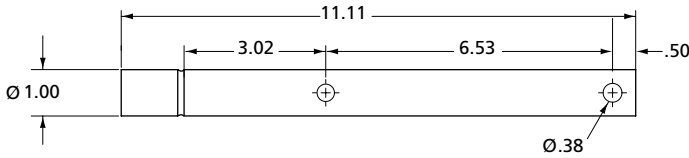


PART NO.	WEIGHT (lbs)
LG2964-02	2.24



Jack Shafts - Left Hand Conventional

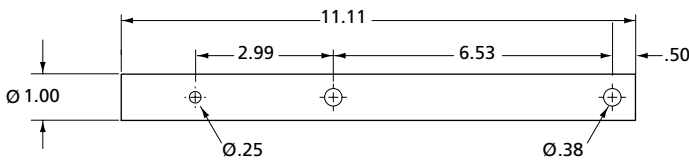
Atlas 65 & Atlas 65 NoLube (Version 1)
FOR MODELS BEFORE JANUARY 2013



PART NO.	WEIGHT (lbs)
2111100000440	2.39



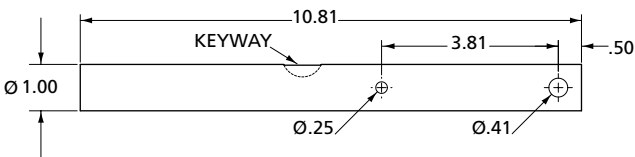
Atlas 65 & Atlas 65 NoLube (Version 2)
FOR MODELS AFTER JANUARY 2013



PART NO.	WEIGHT (lbs)
2111100000441	2.38



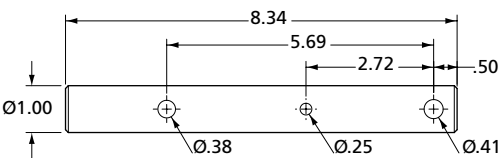
50000 & 50000 NoLube™ (LG5)



PART NO.	WEIGHT (lbs)
LG0369-05	2.33



CMS2 & CMS3

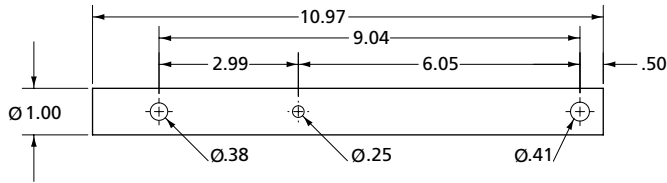


PART NO.	WEIGHT (lbs)
750450	1.77



Jack Shafts - Left Hand Conventional

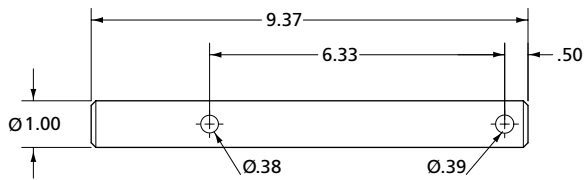
CLASSIC (LG2T)



PART NO.	WEIGHT (lbs)
LG-750004-02	2.35



MARK V & MARK V Heavy Duty

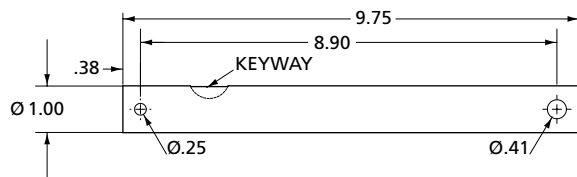


PART NO.	WEIGHT (lbs)
XA-V-06623-C	2.02



Jack Shafts - Left Hand Reverse

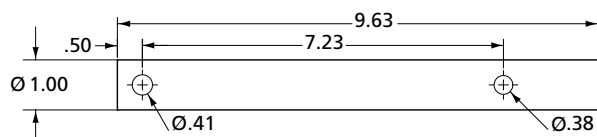
51000 & 51000 NoLube™ (LG4) Fast Gear & Fast Gear NoLube™ (FG4)



PART NO.	WEIGHT (lbs)
LG0948	2.10



ATLAS 55 & ATLAS 55 NoLube™ (LG4)

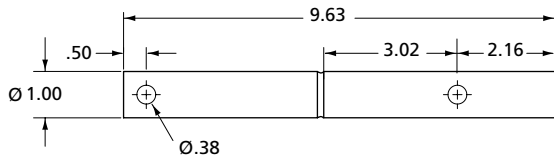


PART NO.	WEIGHT (lbs)
LG2964-03	2.05



Jack Shafts - Left Hand Reverse

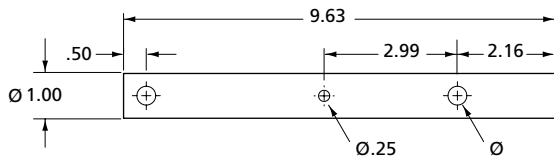
Atlas 65 & Atlas 65 NoLube (Version 1)
FOR MODELS BEFORE JANUARY 2013



PART NO.	WEIGHT (lbs)
2111100000450	2.06



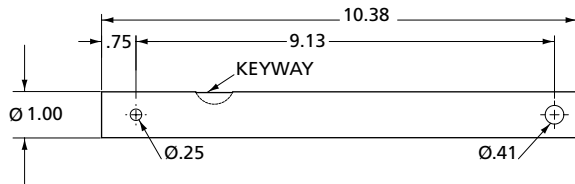
Atlas 65 & Atlas 65 NoLube (Version 2)
FOR MODELS AFTER JANUARY 2013



PART NO.	WEIGHT (lbs)
2111100000451	2.05



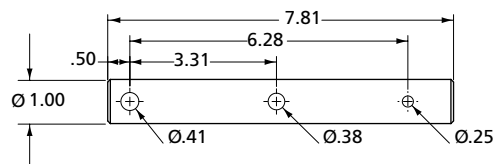
50000 & 50000 NoLube™ (LG5)



PART NO.	WEIGHT (lbs)
LG0436	2.24



CMS2 & CMS3

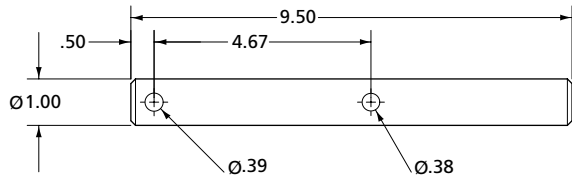


PART NO.	WEIGHT (lbs)
750452	1.65



Jack Shafts - Left Hand Reverse

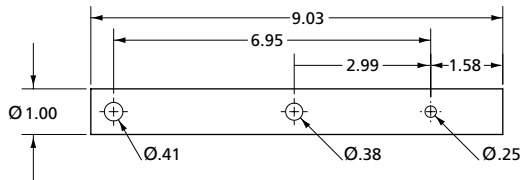
MARK V & MARK V Heavy Duty



PART NO.	WEIGHT (lbs)
XA-V-06623-B	2.05



CLASSIC (LG2T)



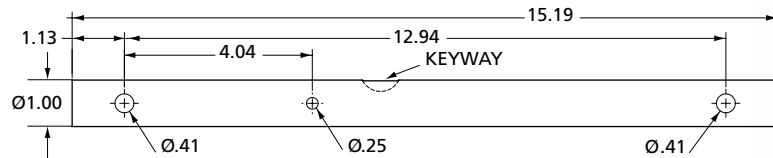
PART NO.	WEIGHT (lbs)
LG-750004-03	1.94



Jack Shafts - Drop Leg

FOR MODELS BEFORE SEPTEMBER 2010

4700 & 4701 Series (LG47)

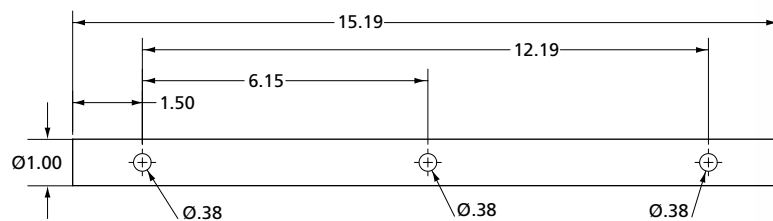


PART NO.	WEIGHT (lbs)
LG0189-01	3.27



FOR MODELS AFTER SEPTEMBER 2010

4700 & 4701 Series (LG47)



PART NO.	WEIGHT (lbs)
LG2964-101	3.26

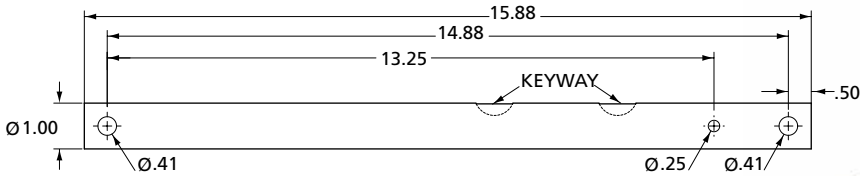


Jack Shafts - Right Hand Universal

51000 & 51000 NoLube™ (LG4),

FOR MODELS BEFORE SEPTEMBER 2010

4700 & 4701 Series (LG47)

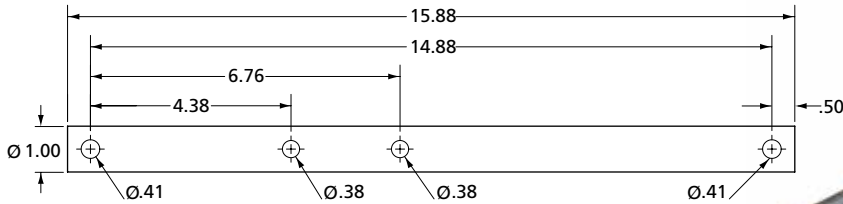


PART NO.	WEIGHT (lbs)
LG0928	3.41

ATLAS 55 & ATLAS 55 NoLube™ (LG4),

FOR MODELS AFTER SEPTEMBER 2010

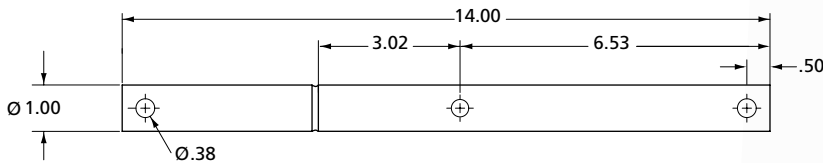
4700 & 4701 Series (LG47)



PART NO.	WEIGHT (lbs)
LG2963-01	3.37

Atlas 65 & Atlas 65 NoLube (Version 1)

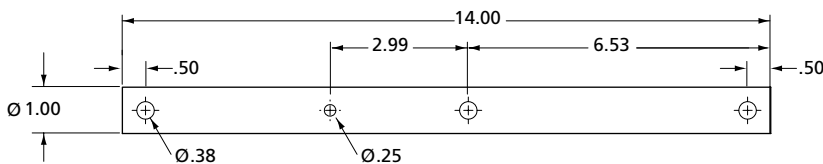
FOR MODELS BEFORE JANUARY 2013



PART NO.	WEIGHT (lbs)
2111100000430	3.00

Atlas 65 & Atlas 65 NoLube (Version 2)

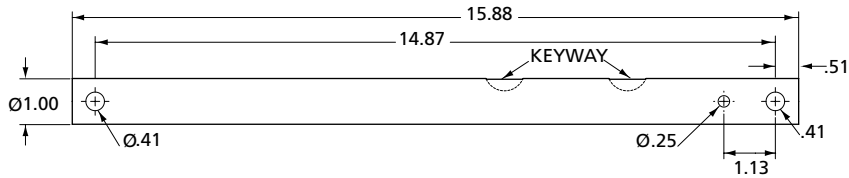
FOR MODELS AFTER JANUARY 2013



PART NO.	WEIGHT (lbs)
2111100000431	2.99

Jack Shafts - Right Hand Universal

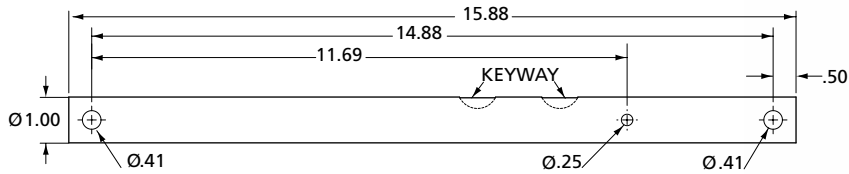
50000 & 50000 NoLube™ (LG5)



PART NO.	WEIGHT (lbs)
LG0260	3.41



Fast Gear & Fast Gear NoLube™ (FG4)

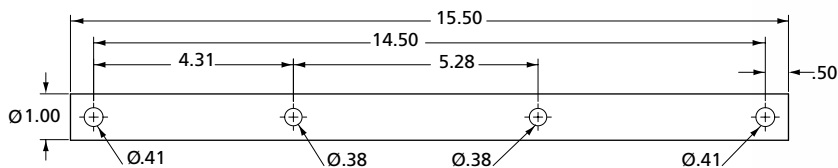


PART NO.	WEIGHT (lbs)
LG2147	3.41



Jack Shafts - Right Hand Universal

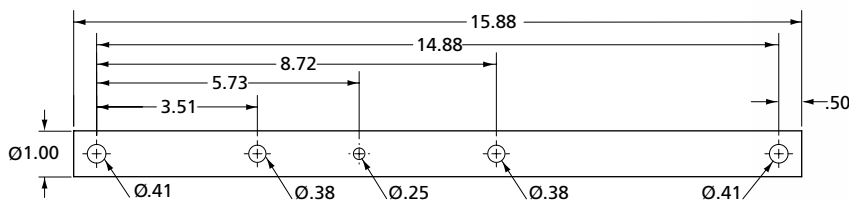
CMS2



PART NO.	WEIGHT (lbs)
750002	3.30



CLASSIC (LG2T)

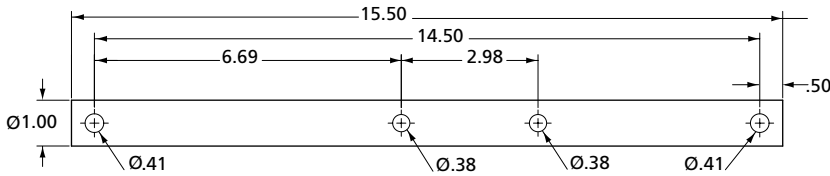


PART NO.	WEIGHT (lbs)
LG-750002-01	3.40



Jack Shafts - Right Hand Universal

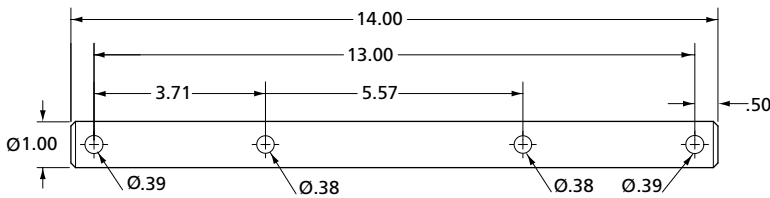
CMS3



PART NO.	WEIGHT (lbs)
180000	3.30



MARK V & MARK V Heavy Duty

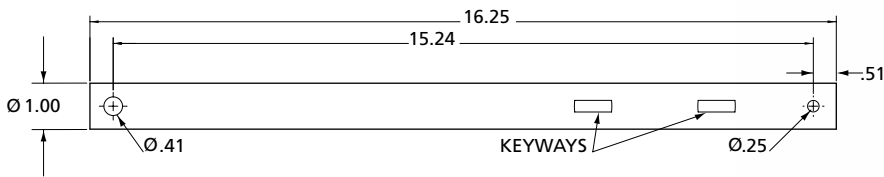


PART NO.	WEIGHT (lbs)
XA-V-06624-A	2.98



Jack Shafts - Right Hand I-Beam

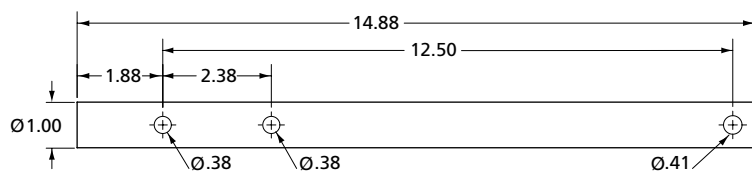
51000 & 51000 NoLube™ (LG4)



PART NO.	WEIGHT (lbs)
LG0947	3.13



ATLAS 55 & ATLAS 55 NoLube™ (LG4)

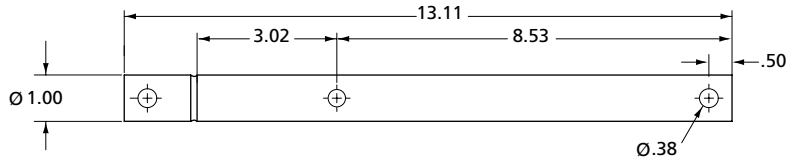


PART NO.	WEIGHT (lbs)
LG2963-04	3.20



Jack Shafts - Right Hand I-Beam

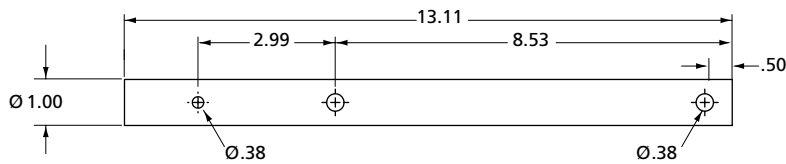
Atlas 65 & Atlas 65 NoLube (Version 1)
FOR MODELS BEFORE JANUARY 2013



PART NO.	WEIGHT (lbs)
2111100000460	2.83



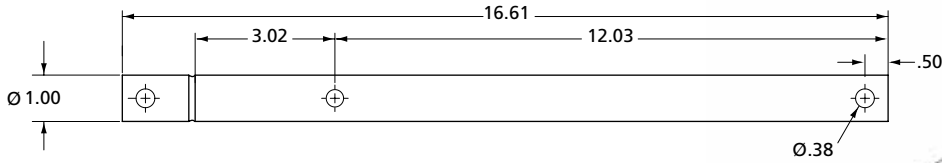
Atlas 65 & Atlas 65 NoLube (Version 2)
FOR MODELS AFTER JANUARY 2013



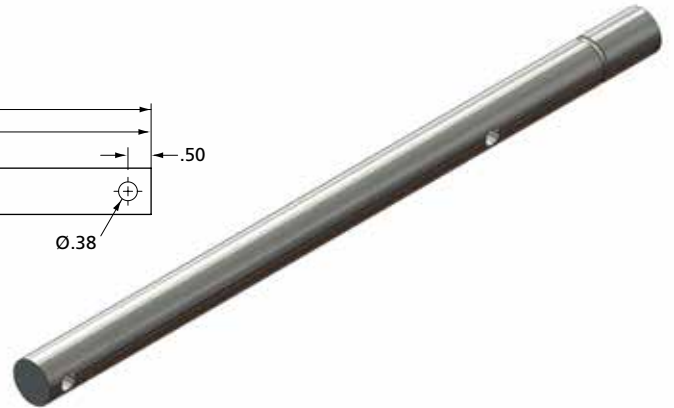
PART NO.	WEIGHT (lbs)
2111100000461	2.83



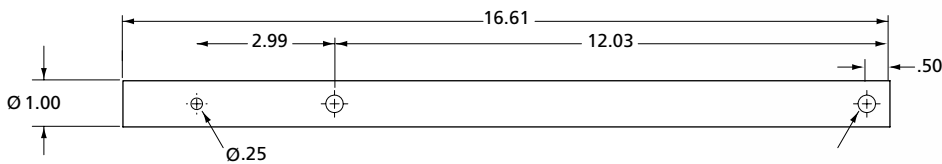
Atlas 65 & Atlas 65 NoLube (Version 1)
FOR MODELS BEFORE JANUARY 2013



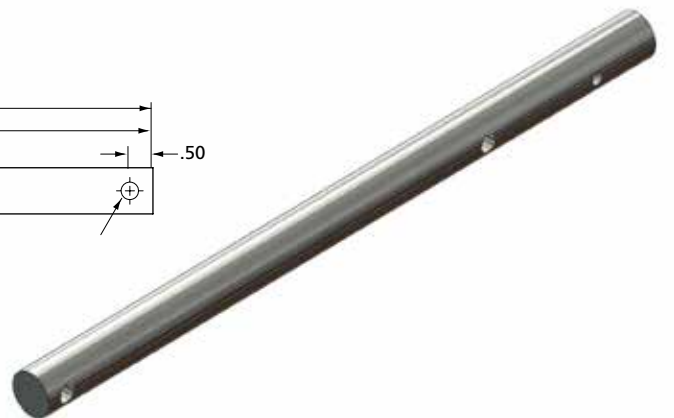
PART NO.	WEIGHT (lbs)
2111100000470	3.61



Atlas 65 & Atlas 65 NoLube (Version 2)
FOR MODELS AFTER JANUARY 2013

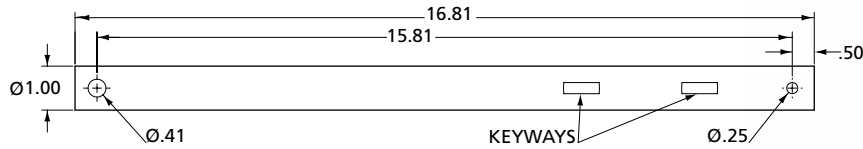


PART NO.	WEIGHT (lbs)
2111100000471	3.60



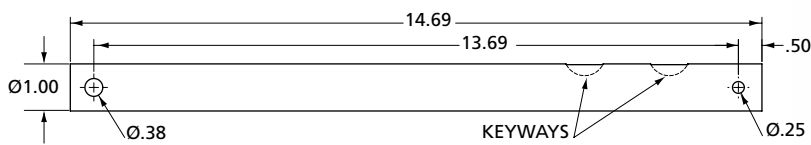
Jack Shafts - Right Hand I-Beam

50000 & 50000 NoLube™ (LG5)



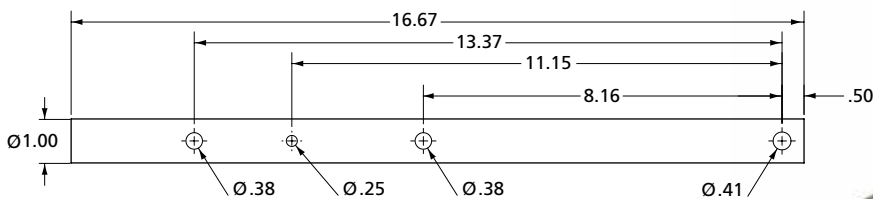
PART NO.	WEIGHT (lbs)
LG0370-01	3.65

Fast Gear & Fast Gear NoLube™ (FG4)



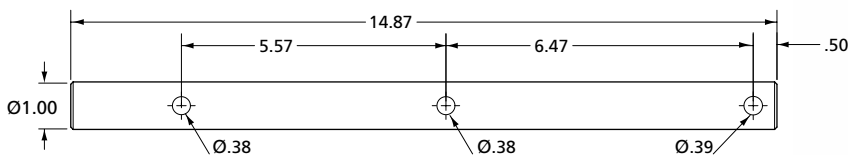
PART NO.	WEIGHT (lbs)
LG2187	3.18

CLASSIC (LG2T)



PART NO.	WEIGHT (lbs)
LG-750002-04	1.63

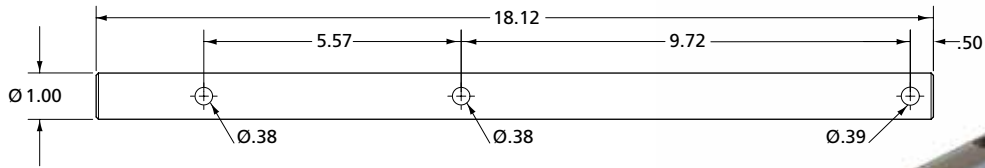
MARK V & MARK V Heavy Duty



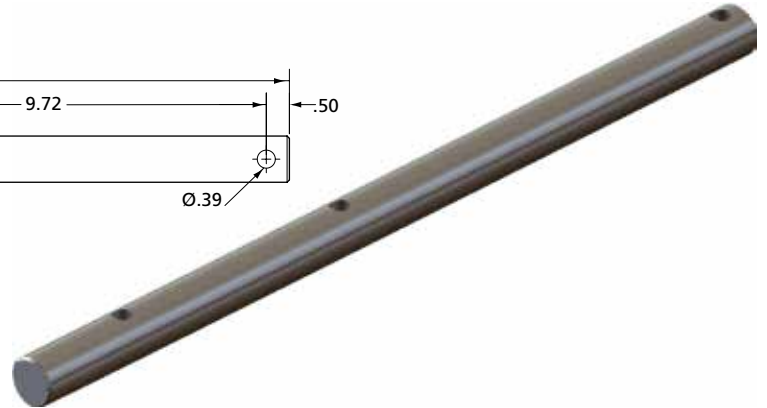
PART NO.	WEIGHT (lbs)
XA-V-06624-D	3.22

Jack Shafts - Right Hand Extended I-Beam

MARK V & MARK V Heavy Duty

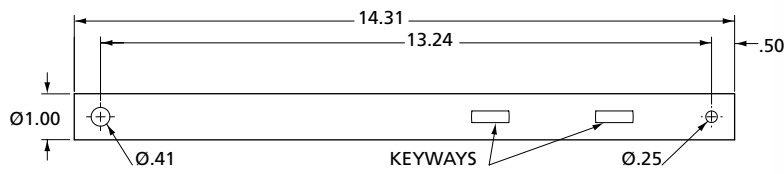


PART NO.	WEIGHT (lbs)
XA-V-06624-F	3.94



Jack Shafts - Right Hand Conventional

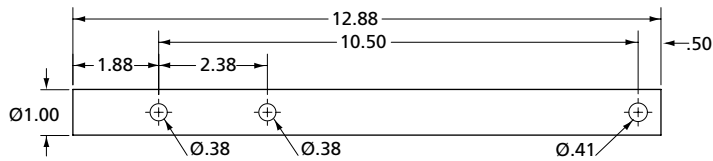
51000 & 51000 NoLube™ (LG4)



PART NO.	WEIGHT (lbs)
LG0947-02	3.09



ATLAS 55 & ATLAS 55 NoLube™ (LG4)

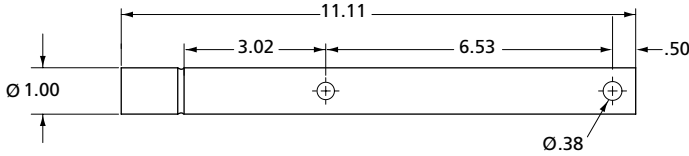


PART NO.	WEIGHT (lbs)
LG2963-02	2.74



Jack Shafts - Right Hand Extended I-Beam

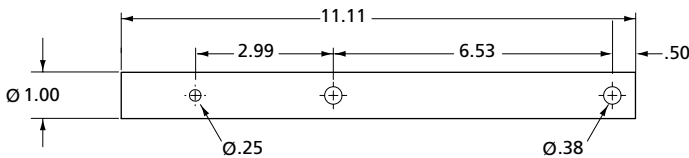
Atlas 65 & Atlas 65 NoLube (Version 1)
FOR MODELS BEFORE JANUARY 2013



PART NO.	WEIGHT (lbs)
2111100000440	2.39



Atlas 65 & Atlas 65 NoLube (Version 2)
FOR MODELS AFTER JANUARY 2013

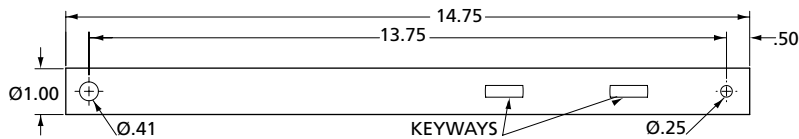


PART NO.	WEIGHT (lbs)
2111100000441	2.38



Jack Shafts - Right Hand Conventional

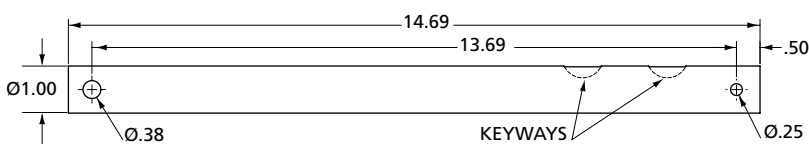
50000 & 50000 NoLube™ (LG5)



PART NO.	WEIGHT (lbs)
LG0370-05	3.20



Fast Gear & Fast Gear NoLube™ (FG4)

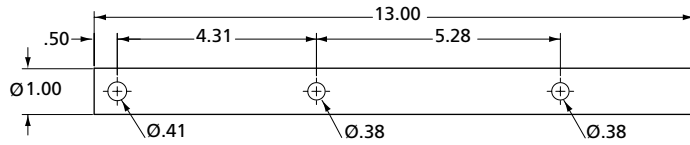


PART NO.	WEIGHT (lbs)
LG2187-01	2.74



Jack Shafts - Right Hand Conventional

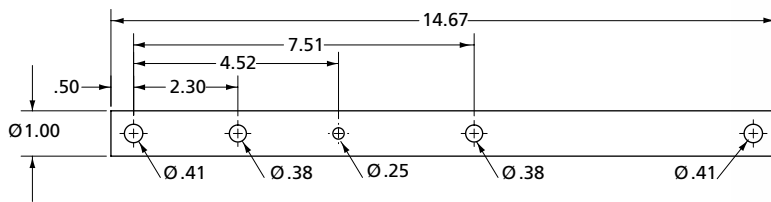
CMS2



PART NO.	WEIGHT (lbs)
750241	2.78



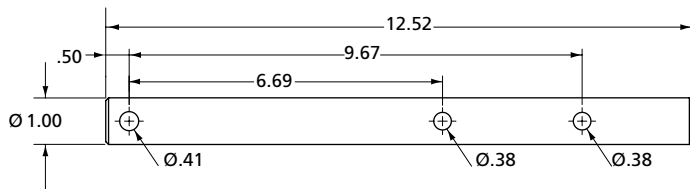
CLASSIC (LG2T)



PART NO.	WEIGHT (lbs)
LG-750002-02	3.15



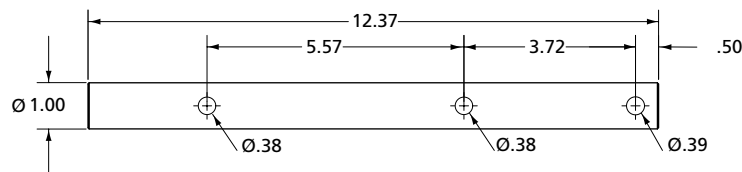
CMS3



PART NO.	WEIGHT (lbs)
180010	2.67



MARK V & MARK V Heavy Duty

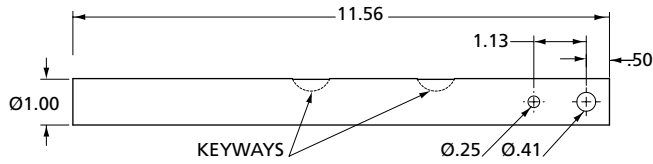


PART NO.	WEIGHT (lbs)
XA-V-06624-C	2.66



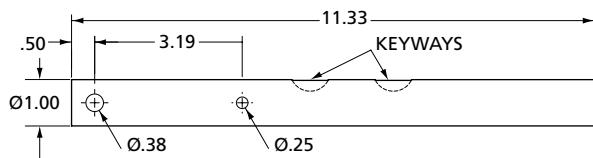
Jack Shafts - Right Hand Reverse

50000 & 50000 NoLube™ (LG5)



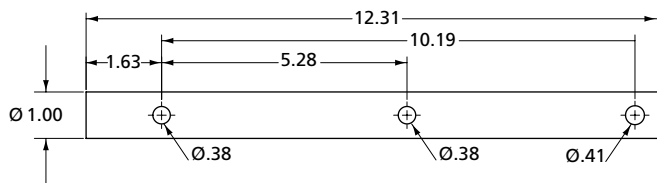
PART NO.	WEIGHT (lbs)
LG0438	2.49

Fast Gear & Fast Gear NoLube™ (FG4)



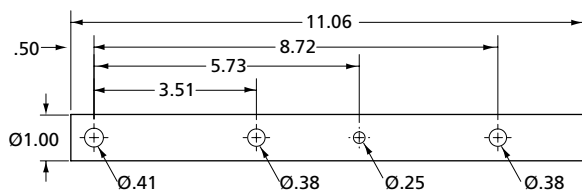
PART NO.	WEIGHT (lbs)
LG2197	2.44

CMS2



PART NO.	WEIGHT (lbs)
750245	2.63

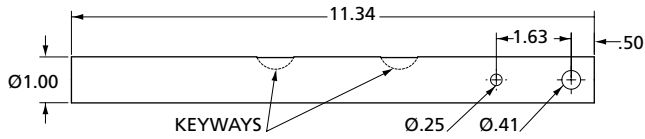
CLASSIC (LG2T)



PART NO.	WEIGHT (lbs)
LG-750002-03	2.36

Jack Shafts - Right Hand Reverse

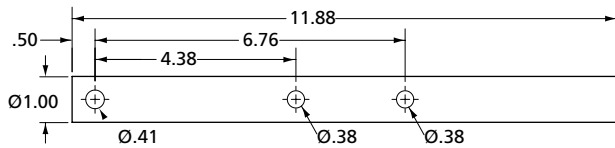
51000 & 51000 NoLube™ (LG4)



PART NO.	WEIGHT (lbs)
LG0949	2.44



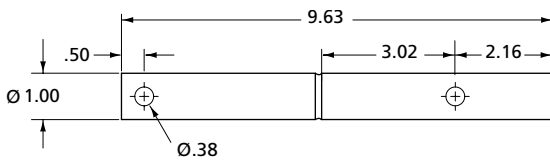
ATLAS 55 & ATLAS 55 NoLube™ (LG4)



PART NO.	WEIGHT (lbs)
LG2963-03	2.52



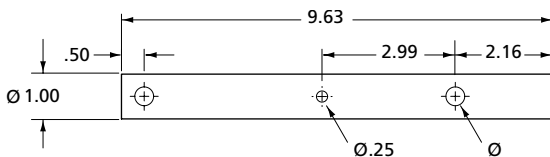
Atlas 65 & Atlas 65 NoLube (Version 1) FOR MODELS BEFORE JANUARY 2013



PART NO.	WEIGHT (lbs)
2111100000450	2.06



Atlas 65 & Atlas 65 NoLube (Version 2) FOR MODELS AFTER JANUARY 2013

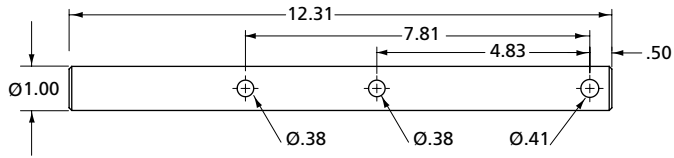


PART NO.	WEIGHT (lbs)
2111100000451	2.05



Jack Shafts - Right Hand Reverse

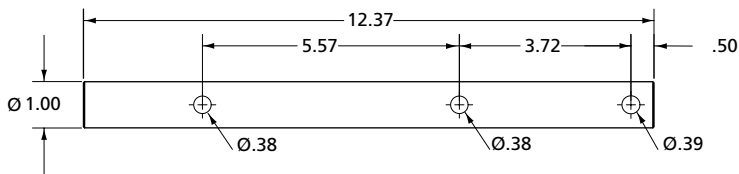
CMS3



PART NO.	WEIGHT (lbs)
180016	2.62



MARK V & MARK V Heavy Duty

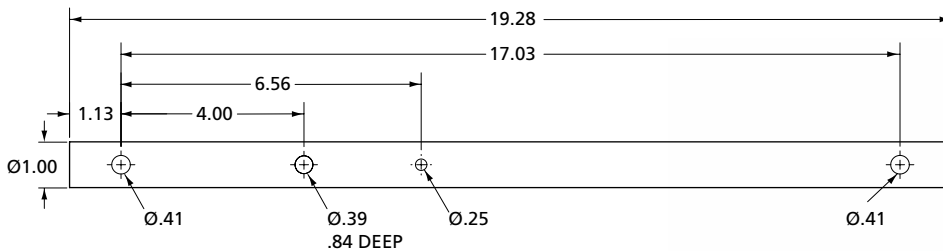


PART NO.	WEIGHT (lbs)
XA-V-06624-C	2.66

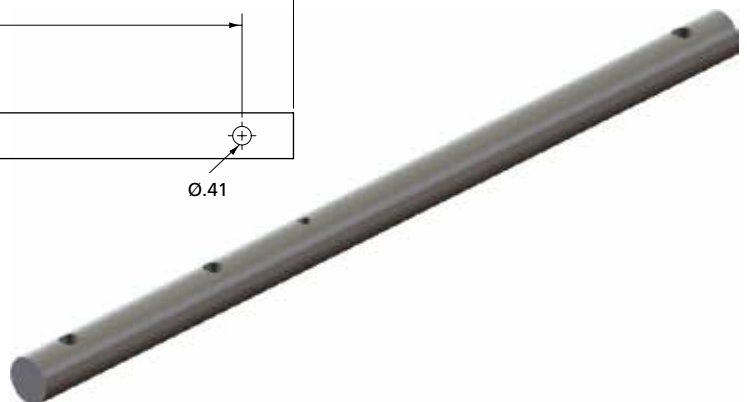


Shift Shafts - Right Hand Universal

51000 (LG4),
50000 (LG5)

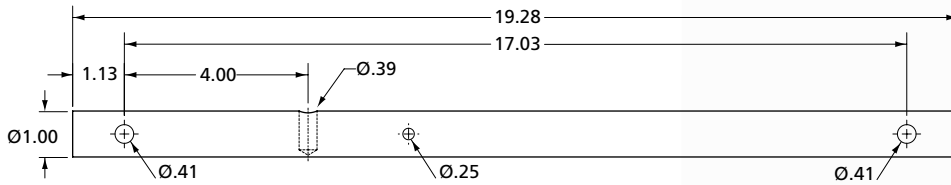


PART NO.	WEIGHT (lbs)
LG0261-01	4.15

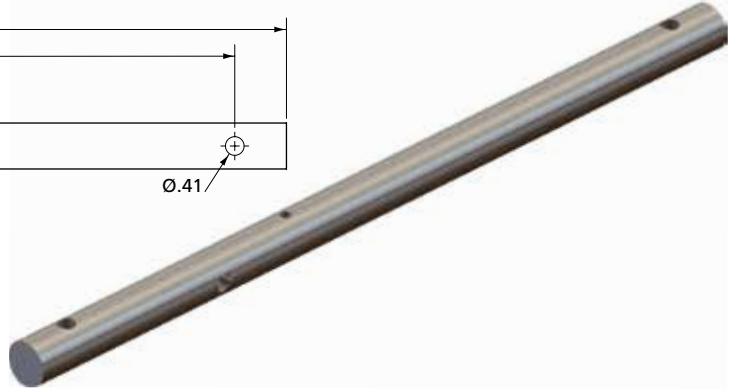


Shift Shafts - Right Hand Universal

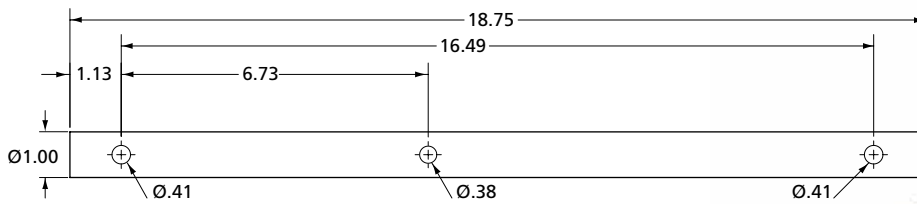
51000 NoLube™ (LG4)
& 50000 NoLube™ (LG5)



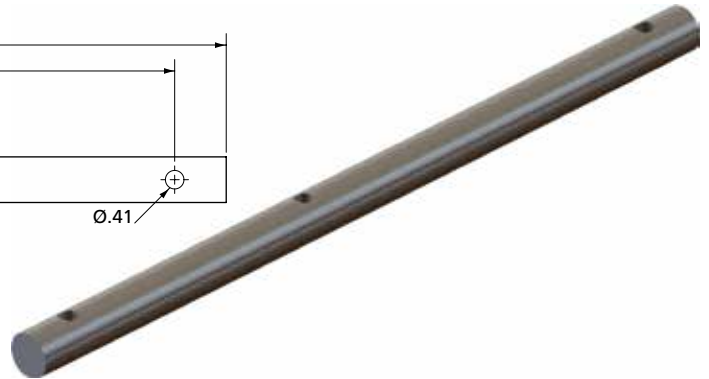
PART NO.	WEIGHT (lbs)
LG0861-01	4.15



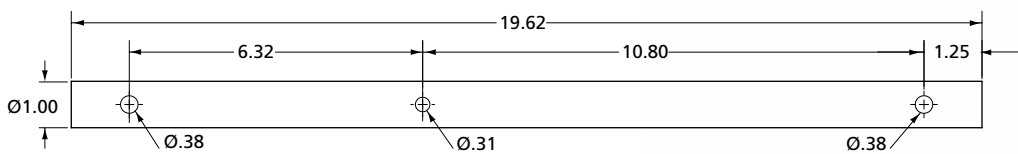
ATLAS 55 & ATLAS 55 NoLube™ (LG4),
FOR MODELS AFTER SEPTEMBER 2010
4700 & 4701 Series (LG47)



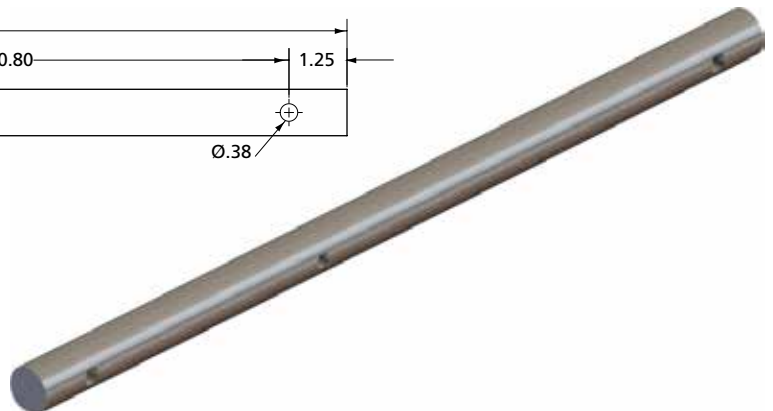
PART NO.	WEIGHT (lbs)
LG3011-01	4.05



CMS2 & CMS3

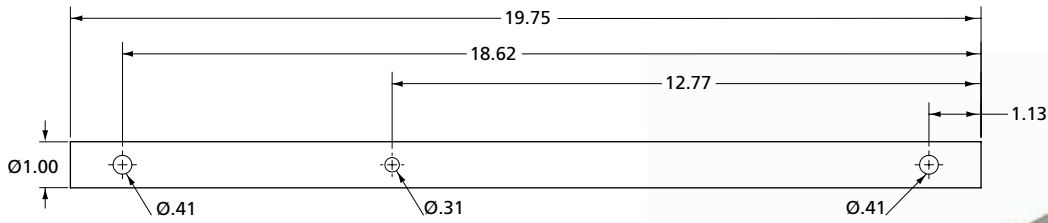


PART NO.	WEIGHT (lbs)
751175	4.26

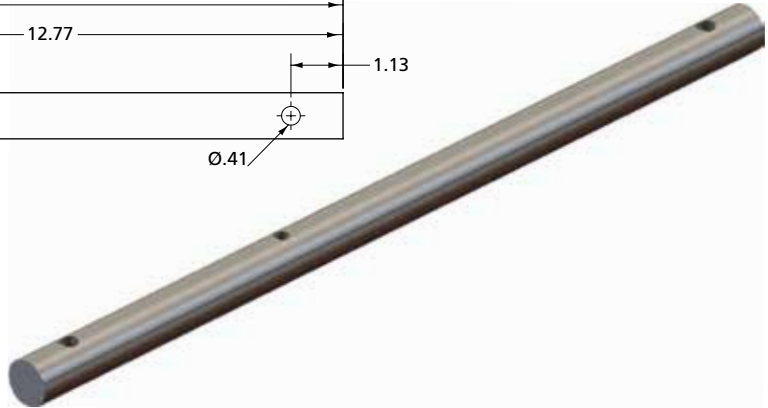


Shift Shafts - Right Hand Universal

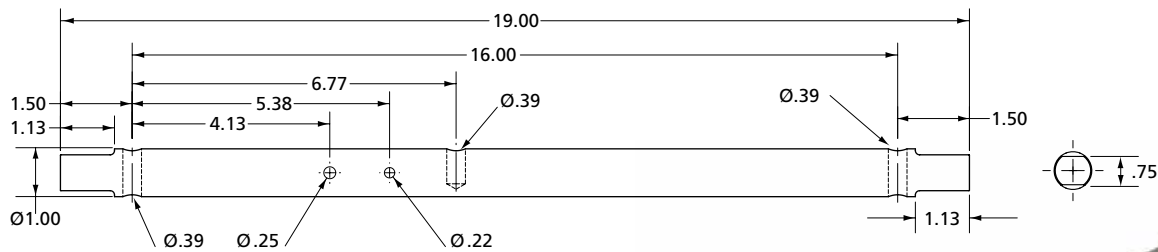
CLASSIC (LG2T)



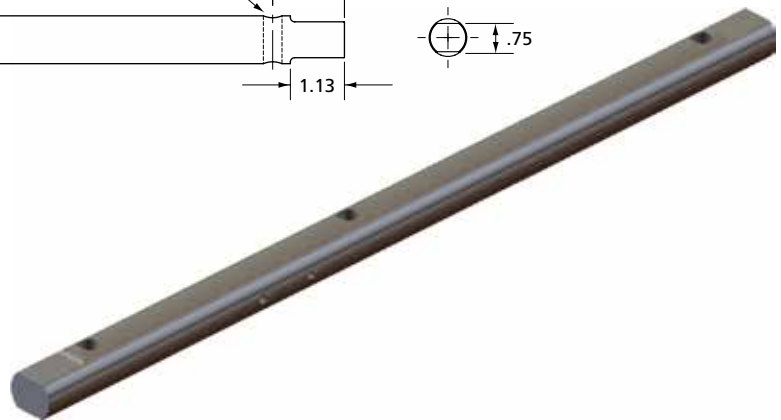
PART NO.	WEIGHT (lbs)
LG-751175-01	4.30



MARK V & MARK V Heavy Duty

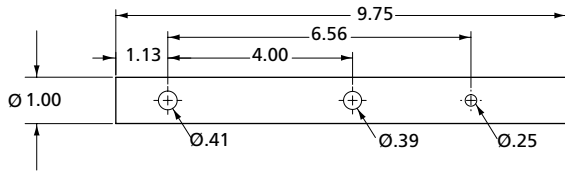


PART NO.	WEIGHT (lbs)
XA-V-06625-A	4.05



Shift Shafts - Right Hand I-Beam Mount

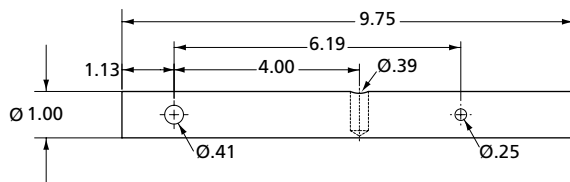
51000 (LG4),
50000 (LG5)



PART NO.	WEIGHT (lbs)
LG0371-01	2.08



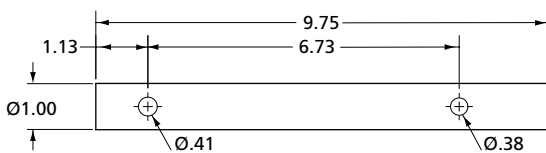
51000 NoLube™ (LG4),
50000 NoLube™ (LG5)



PART NO.	WEIGHT (lbs)
LG0859-01	2.08



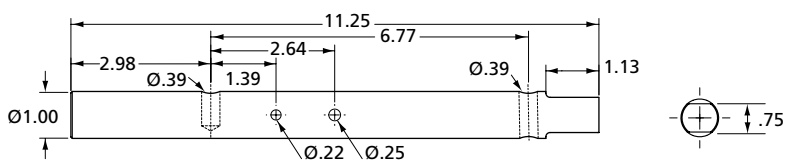
ATLAS 55 & ATLAS 55 NoLube™ (LG4)



PART NO.	WEIGHT (lbs)
LG3011-02	2.09



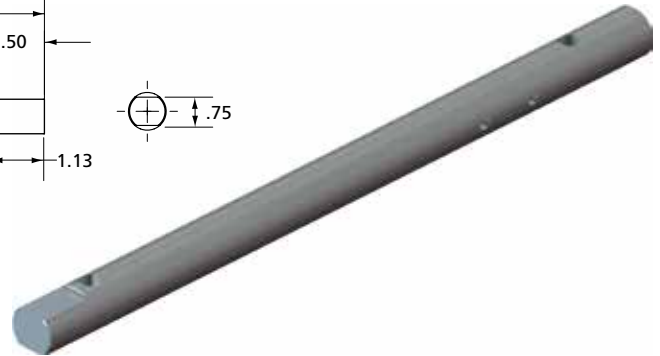
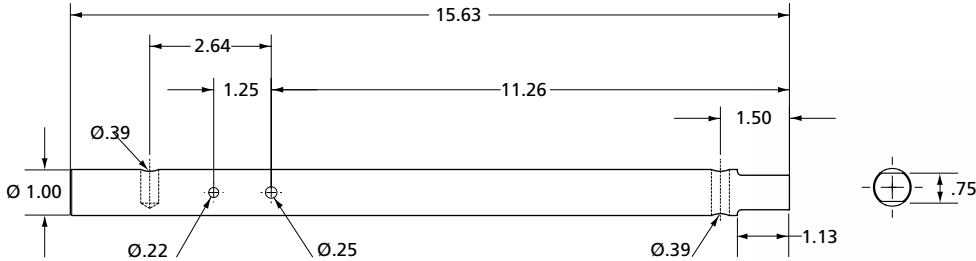
MARK V & MARK V Heavy Duty



PART NO.	WEIGHT (lbs)
XA-V-06625-C	2.39



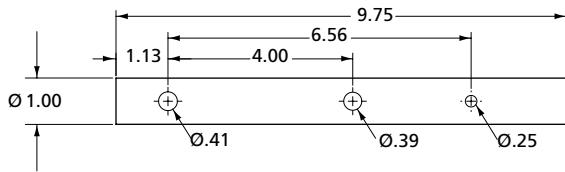
Shift Shafts - Right Hand Extended I-Beam Mount
MARK V & MARK V Heavy Duty



PART NO.	WEIGHT (lbs)
XA-V-06625-F	3.37

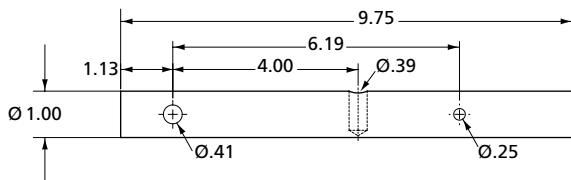
Shift Shafts - Right Hand Conventional

51000 (LG4),
 50000 (LG5)



PART NO.	WEIGHT (lbs)
LG0371-01	2.08

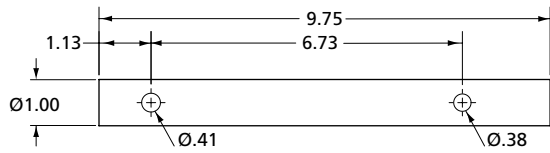
51000 NoLube™ (LG4),
 50000 NoLube™ (LG5)



PART NO.	WEIGHT (lbs)
LG0859-01	2.08

Shift Shafts - Right Hand Conventional

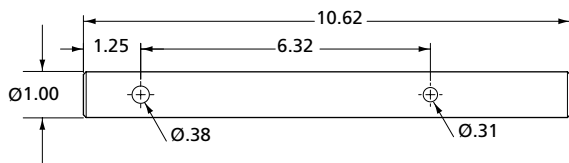
ATLAS 55 & ATLAS 55 NoLube™ (LG4)



PART NO.	WEIGHT (lbs)
LG3011-02	2.09



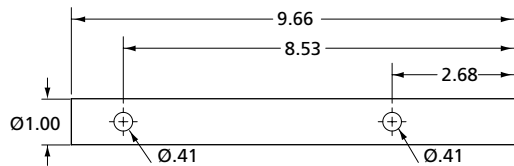
CMS2 & CMS3



PART NO.	WEIGHT (lbs)
751198	2.31



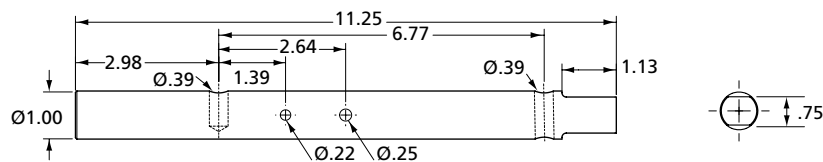
CLASSIC (LG2T)



PART NO.	WEIGHT (lbs)
LG-751175-02	2.09



MARK V & MARK V Heavy Duty

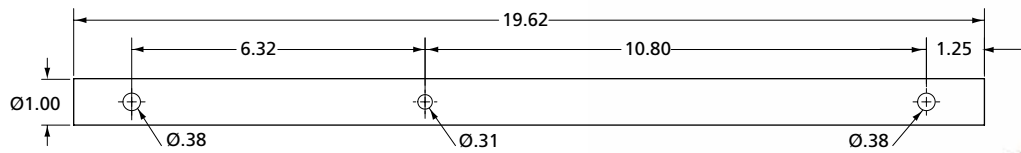


PART NO.	WEIGHT (lbs)
XA-V-06625-C	2.39

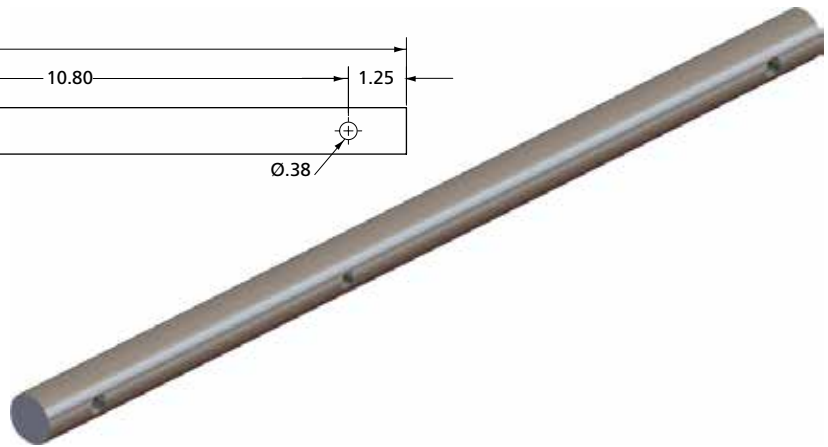


Shift Shafts - Right Hand Reverse

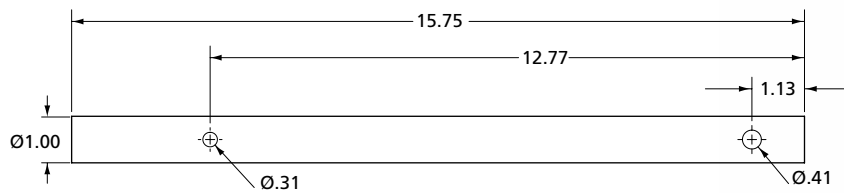
CMS2 & CMS3



PART NO.	WEIGHT (lbs)
751175	4.26



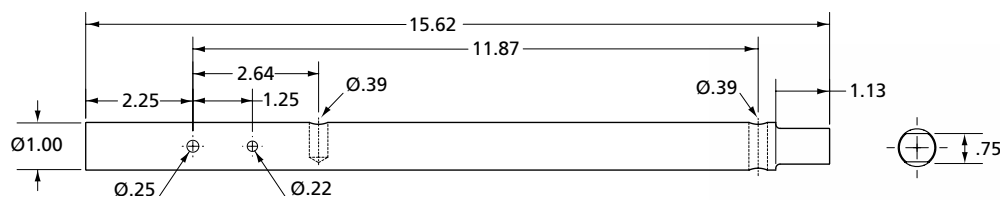
CLASSIC (LG2T)



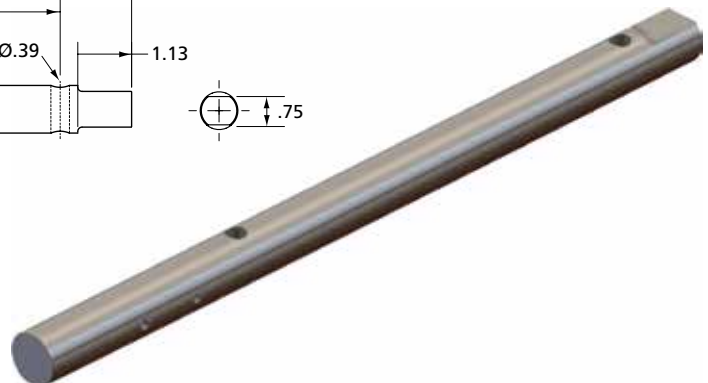
PART NO.	WEIGHT (lbs)
LG-751175-03	3.46



MARK V & MARK V Heavy Duty

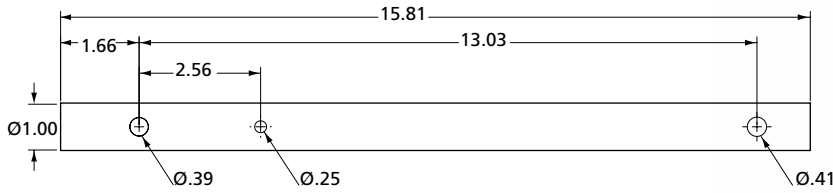


PART NO.	WEIGHT (lbs)
XA-V-06625-B	3.37



Shift Shafts - Right Hand Reverse

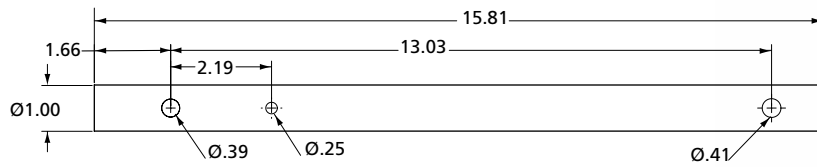
51000 (LG4),
50000 (LG5)



PART NO.	WEIGHT (lbs)
LG0437	3.42



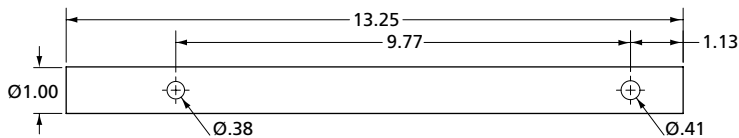
51000 NoLube™ (LG4),
50000 NoLube™ (LG5)



PART NO.	WEIGHT (lbs)
LG0858	3.42



ATLAS 55 & ATLAS 55 NoLube™ (LG4)



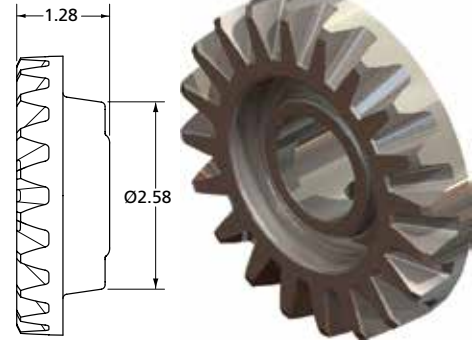
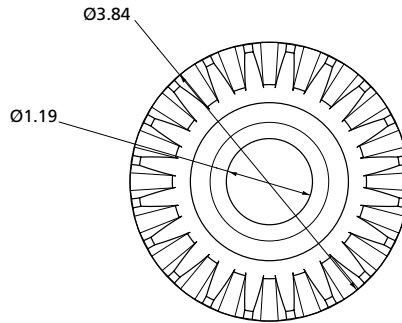
PART NO.	WEIGHT (lbs)
LG3011-03	2.87



Bevel Gears

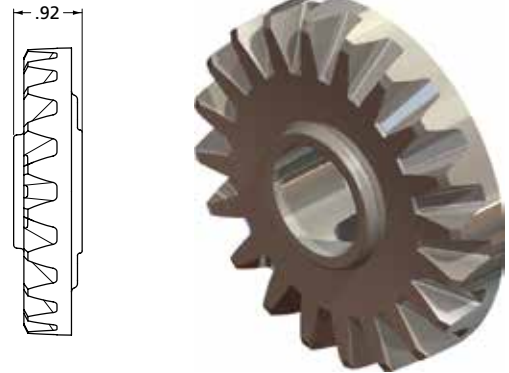
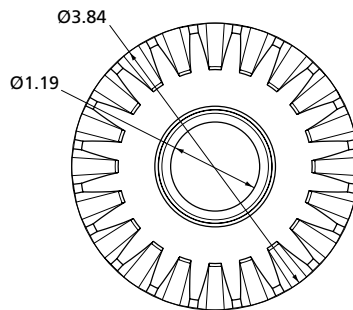
51000 & 51000 NoLube™ (LG4),
 50000 & 50000 NoLube™ (LG5),
 Fast Gear & Fast Gear NoLube (FG4),
FOR MODELS BEFORE SEPTEMBER 2010
 4700 & 4701 Series (LG47)

PART NO.	WEIGHT (lbs)
XA-LG0570-01	1.61



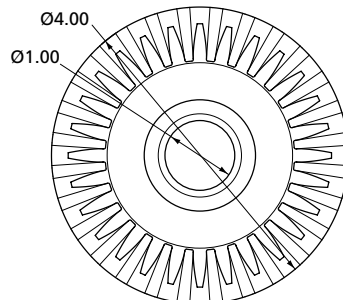
ATLAS 55 & ATLAS 55 NoLube™ (LG4),
 CLASSIC (LG2T), ATLAS 65, ATLAS 65 NoLube™
FOR MODELS AFTER SEPTEMBER 2010
 4700 & 4701 Series (LG47)

PART NO.	WEIGHT (lbs)
LG2884	1.53



CMS2

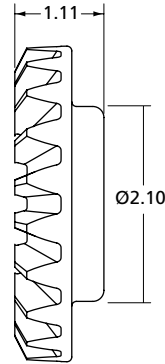
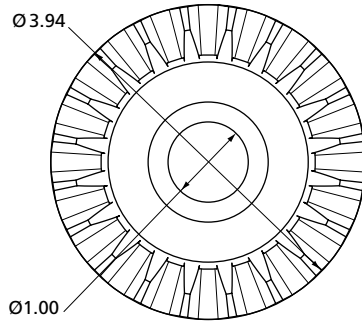
PART NO.	WEIGHT (lbs)
730590	1.94



Bevel Gears

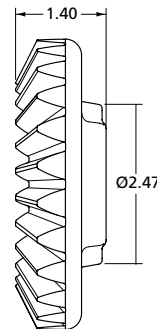
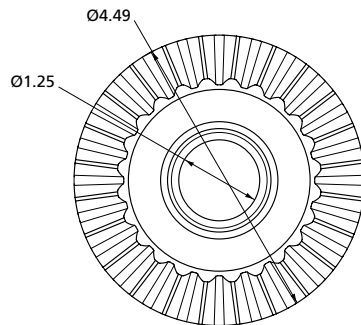
CMS3

PART NO.	WEIGHT (lbs)
130004	1.98



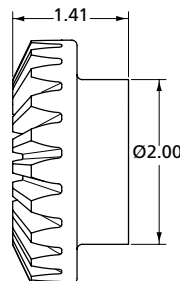
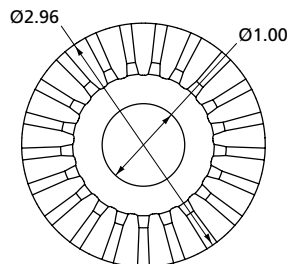
MARK V & MARK V Heavy Duty, JS2000

PART NO.	WEIGHT (lbs)
XA-V-06601	2.52



Dual Pin Drop Leg (LGD700), 48000 Series (LG87), 49000 Series (LG97)

PART NO.	WEIGHT (lbs)
XB-LG2027	1.16

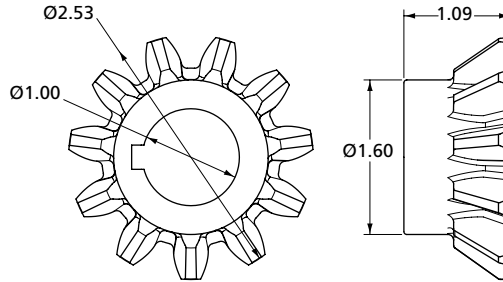


Pinion Gears

51000 & 51000 NoLube™ (LG4),
Fast Gear & FastGear NoLube™ (FG4),
Formula 150,

FOR MODELS BEFORE SEPTEMBER 2010
4700 & 4701 Series (LG47)

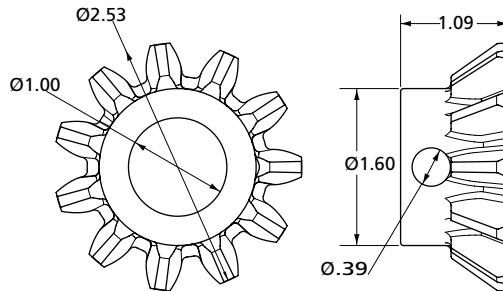
PART NO.	WEIGHT (lbs)
XB-LG1823-01	.46



ATLAS 55 & ATLAS 55 NoLube™ (LG4),
CLASSIC (LG2T), ATLAS 65, ATLAS 65 NoLube™

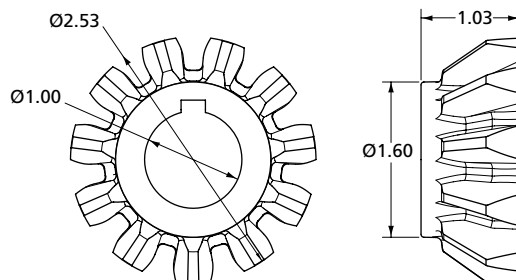
FOR MODELS AFTER SEPTEMBER 2010
4700 & 4701 Series (LG47)

PART NO.	WEIGHT (lbs)
LG1823-02	.46



50000 & 50000 NoLube™ (LG5)

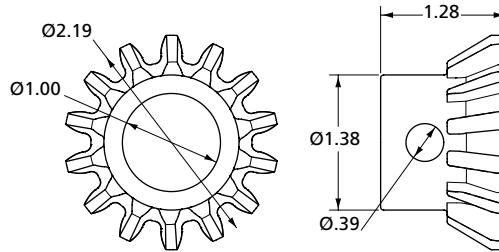
PART NO.	WEIGHT (lbs)
LG0531-02	.58



Pinion Gears

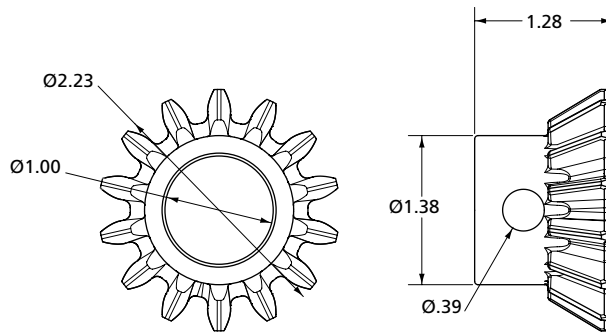
CMS2

PART NO.	WEIGHT (lbs)
730011	.35



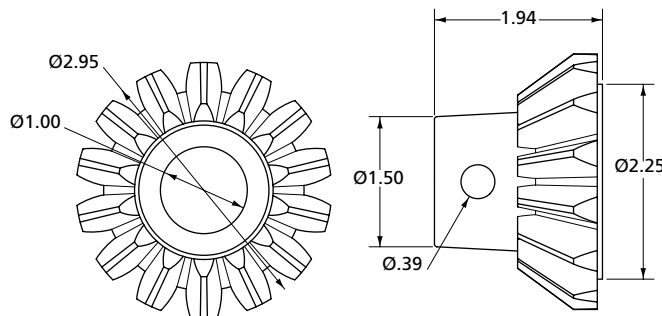
CMS3

PART NO.	WEIGHT (lbs)
130003	.39



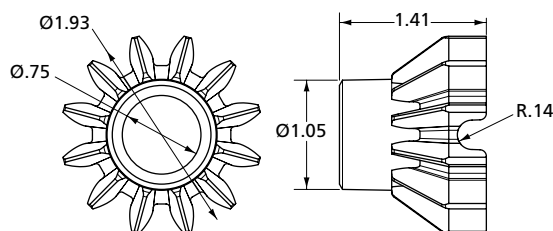
MARK V & MARK V Heavy Duty, JS2000 Series

PART NO.	WEIGHT (lbs)
XA-V-06600	1.22



Dual Pin Drop Leg (LGD700), 48000 Series (LG8700), 49000 Series (LG9700)

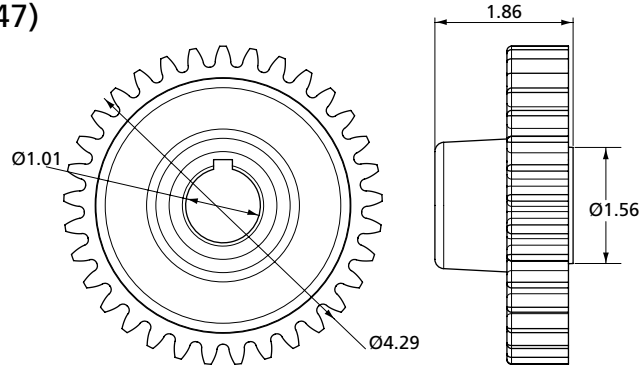
PART NO.	WEIGHT (lbs)
XB-LG2026	.36



Output Gears

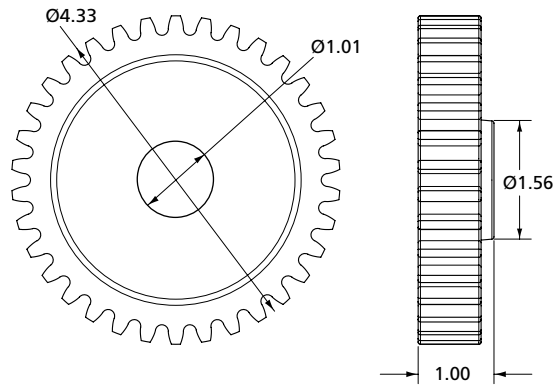
51000 & 51000 NoLube™ (LG4),
 50000 & 50000 NoLube™ (LG5),
 FOR MODELS BEFORE SEPTEMBER 2010
 4700 & 4701 Series (LG47)

PART NO.	WEIGHT (lbs)
LG0543-01	1.79



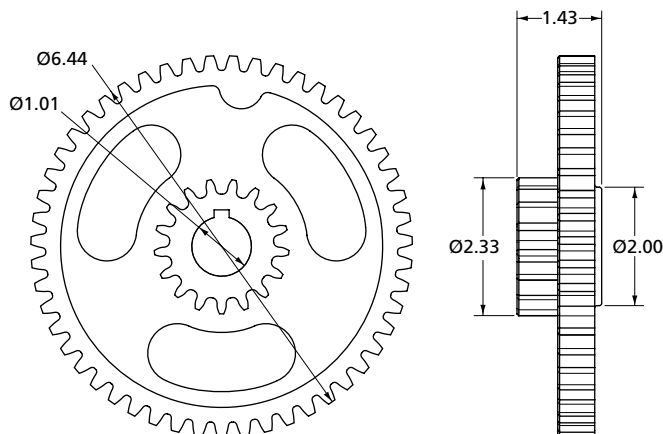
ATLAS 55 & ATLAS 55 NoLube™ (LG4),
 ATLAS 65, ATLAS 65 NoLube™
 FOR MODELS AFTER SEPTEMBER 2010
 4700 & 4701 Series (LG47)

PART NO.	WEIGHT (lbs)
LG2980	1.78



Fast Gear & Fast Gear NoLube™ (FG4)

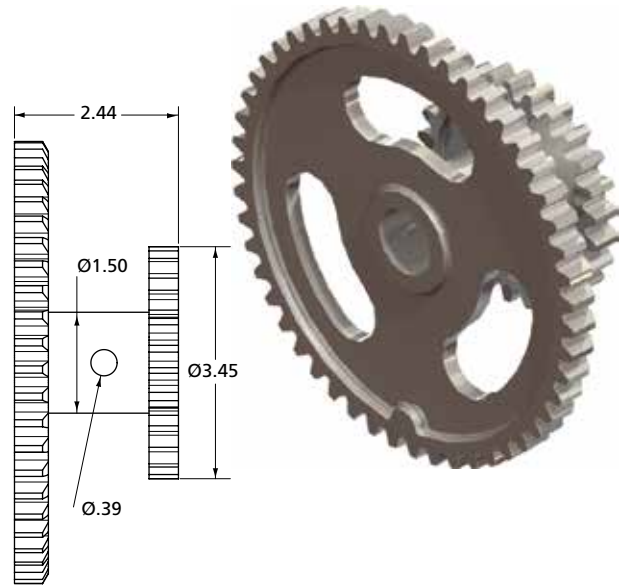
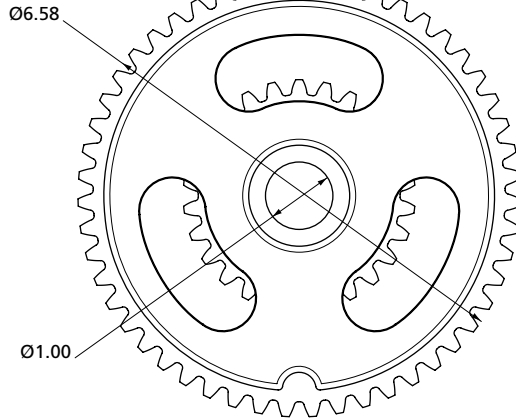
PART NO.	WEIGHT (lbs)
LG0936-51	3.50



Output Gears

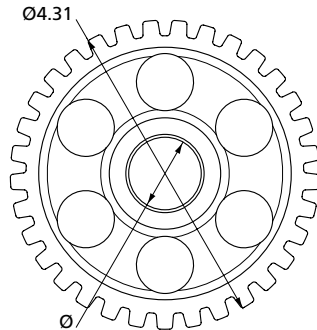
CMS2,
CLASSIC (LG2T)

PART NO.	WEIGHT (lbs)
750009	2.89



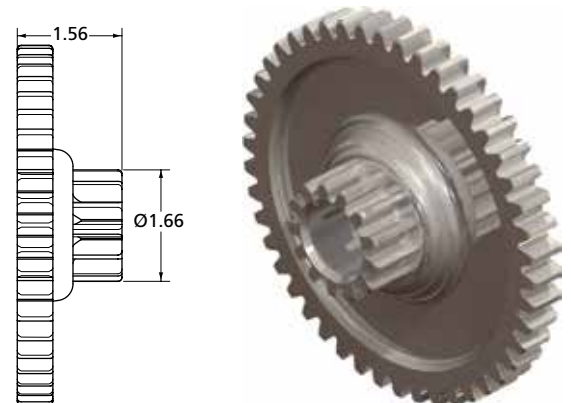
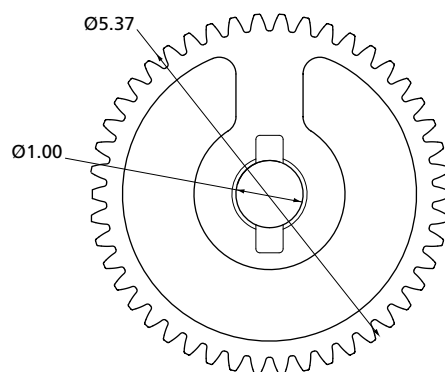
CMS3

PART NO.	WEIGHT (lbs)
130002	1.76



MARK V & MARK V Heavy Duty

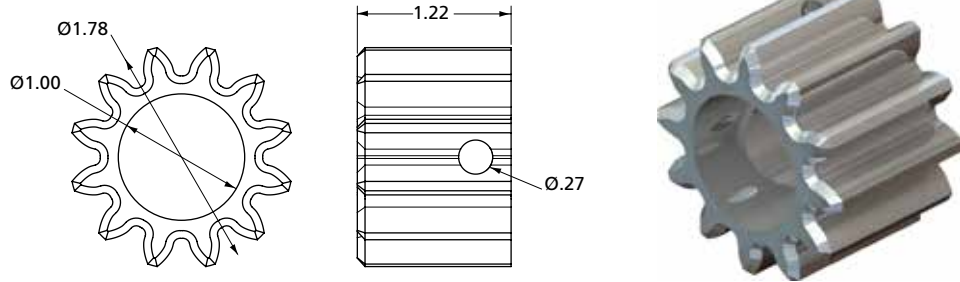
PART NO.	WEIGHT (lbs)
XA-V-06603	.30



Input Gears Low

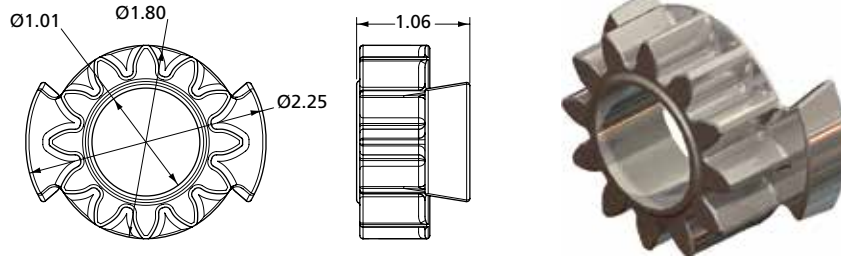
51000 NoLube™ (LG4),
50000 NoLube™ (LG5)

PART NO.	WEIGHT (lbs)
XB-LG0857-01	.37



ATLAS 55 & ATLAS 55 NoLube™ (LG4),
ATLAS 65, ATLAS 65 NoLube™
FOR MODELS AFTER SEPTEMBER 2010
4700 & 4701 Series (LG47)

PART NO.	WEIGHT (lbs)
LG2969	.26

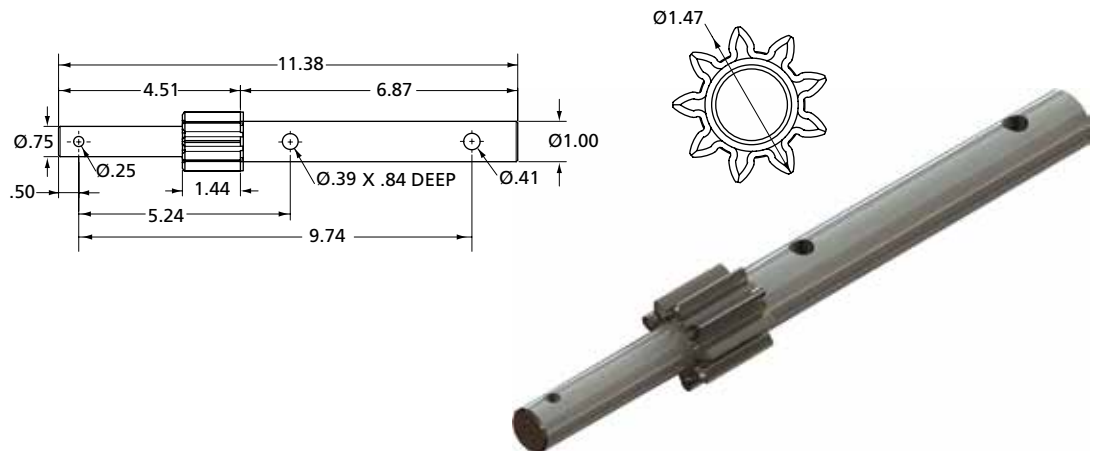


Replaced By:

PART NO.	WEIGHT (lbs)
204010000050	.26

Fast Gear & Fast Gear NoLube™ (FG4) -
Universal, I-Beam, & Conventional Mount

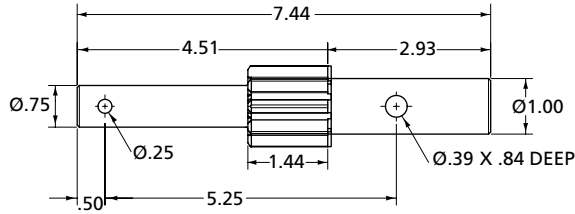
PART NO.	WEIGHT (lbs)
LG2463-01	2.06



Input Gears Low

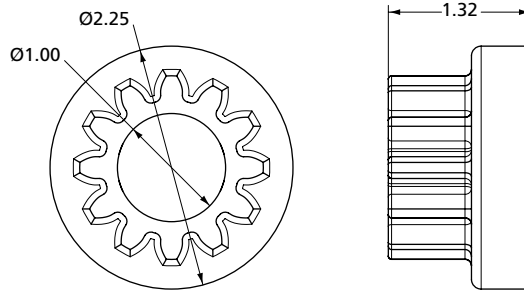
Fast Gear & Fast Gear NoLube™ (FG4) - Reverse Mount

PART NO.	WEIGHT (lbs)
LG2464-01	1.31



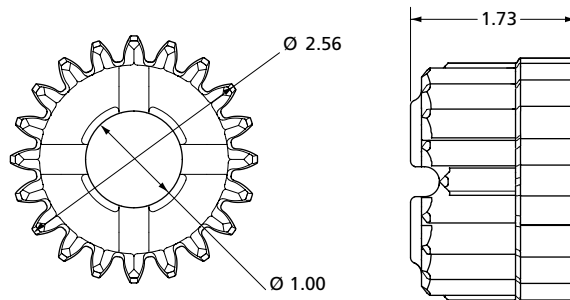
CMS2 & CMS3, CLASSIC (LG2T)

PART NO.	WEIGHT (lbs)
751173	.49



MARK V & MARK V Heavy Duty

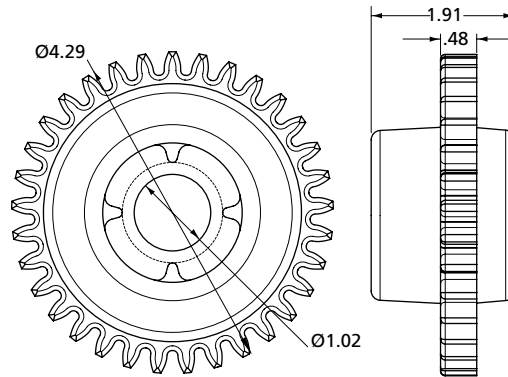
PART NO.	WEIGHT (lbs)
XA-V-06604-1	1.24



Input Gears High

51000 NoLube™ (LG4),
50000 NoLube™ (LG5)

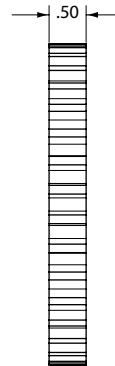
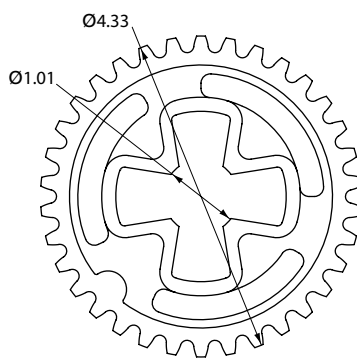
PART NO.	WEIGHT (lbs)
XD-LG0856	1.83



ATLAS 55 & ATLAS 55 NoLube™ (LG4),
ATLAS 65, ATLAS 65 NoLube™

FOR MODELS AFTER SEPTEMBER 2010
4700 & 4701 Series (LG47)

PART NO.	WEIGHT (lbs)
LG2968	.94

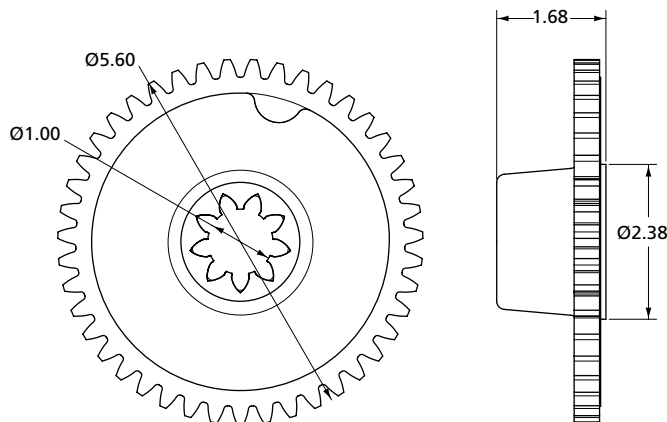


Replaced By:

PART NO.	WEIGHT (lbs)
204010000060	.26

Fast Gear & Fast Gear NoLube™ (FG4)

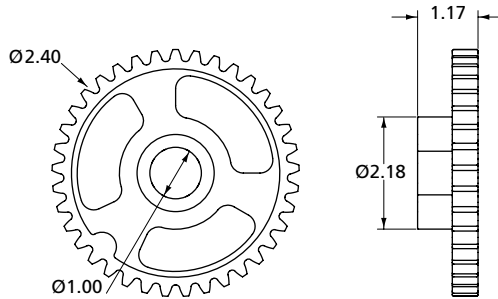
PART NO.	WEIGHT (lbs)
LG2465-01	2.36



Input Gears High

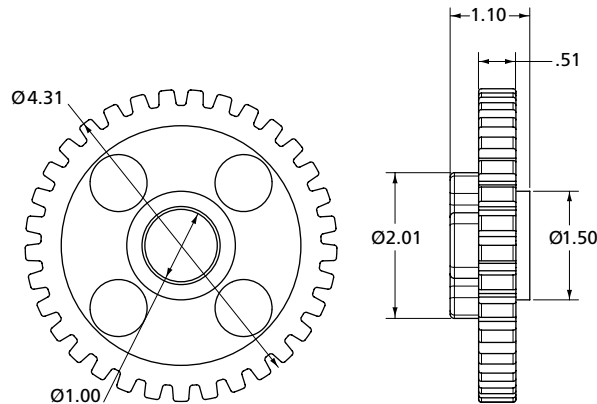
CMS2,
CLASSIC (LG2T)

PART NO.	WEIGHT (lbs)
751174	1.29



CMS3

PART NO.	WEIGHT (lbs)
130000	1.52

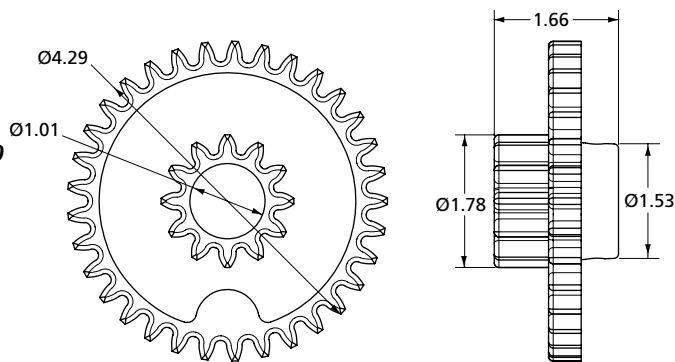


Input Gears High & Low

51000 (LG4),
50000 (LG5)

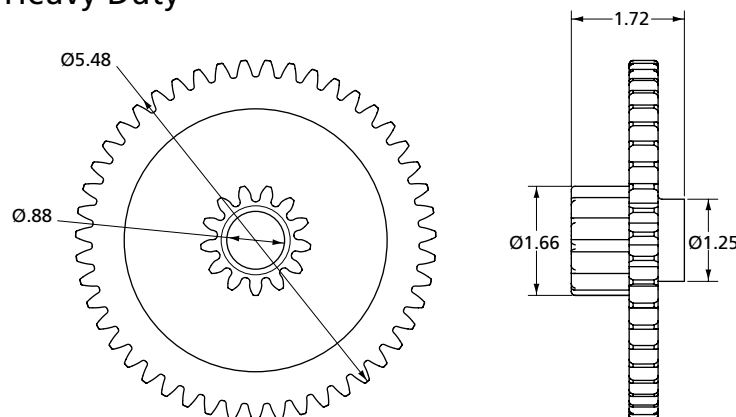
FOR MODELS BEFORE SEPTEMBER 2010
4700 & 4701 Series (LG47)

PART NO.	WEIGHT (lbs)
LG0541-01	1.50



MARK V & MARK V Heavy Duty

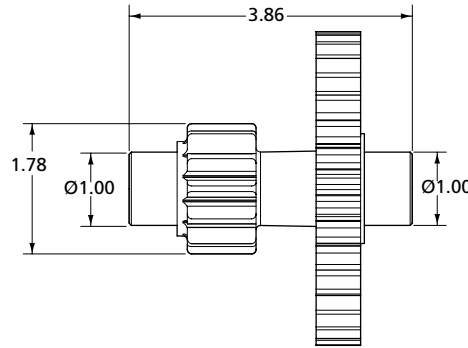
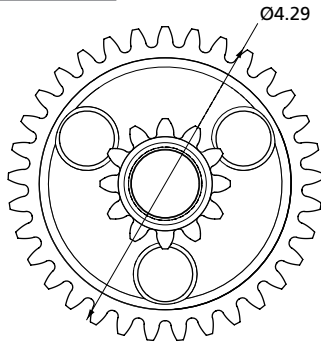
PART NO.	WEIGHT (lbs)
XA-V-06606	.28



Idler Gears

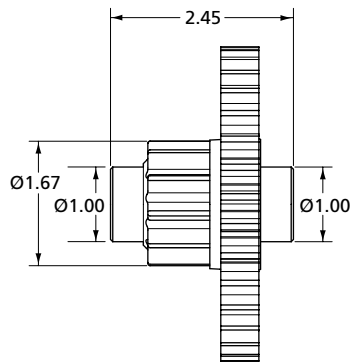
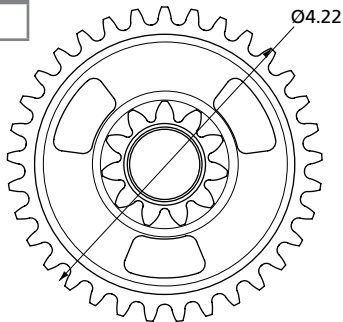
51000 & 51000 NoLube™ (LG4),
 50000 & 50000 NoLube™ (LG5),
 FOR MODELS BEFORE SEPTEMBER 2010
 4700 & 4701 Series (LG47)

PART NO.	WEIGHT (lbs)
XB-LG0542-01	2.40



ATLAS 55 & ATLAS 55 NoLube™ (LG4),
 ATLAS 65, ATLAS 65 NoLube™
 FOR MODELS AFTER SEPTEMBER 2010
 4700 & 4701 Series (LG47)

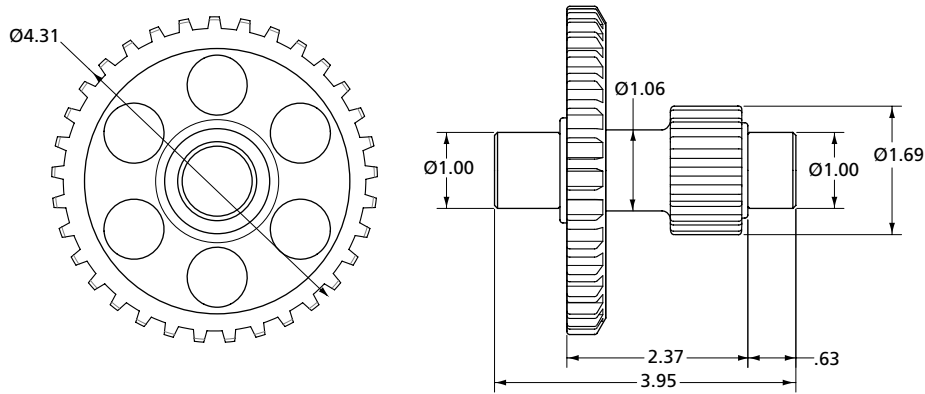
PART NO.	WEIGHT (lbs)
LG2975	1.95



Idler Gears

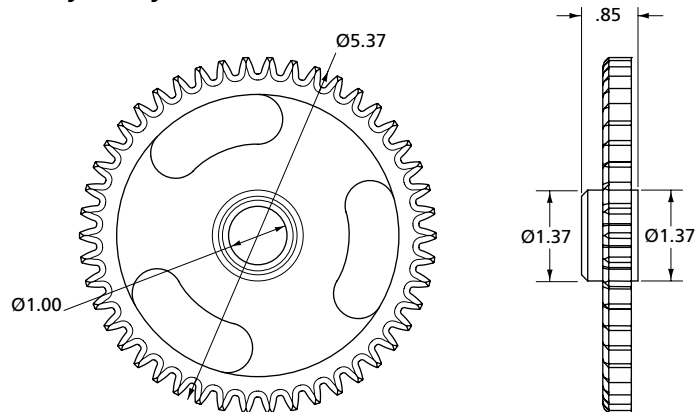
CMS3

PART NO.	WEIGHT (lbs)
130001	2.28



MARK V & MARK V Heavy Duty

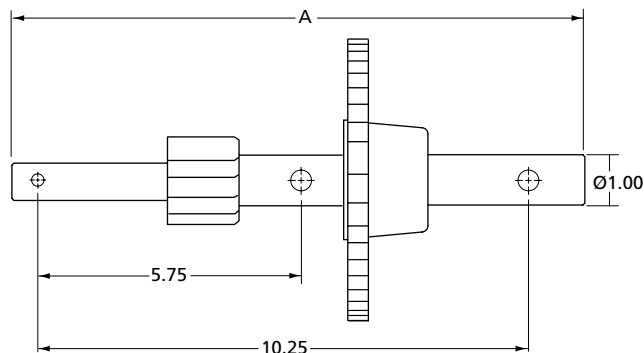
PART NO.	WEIGHT (lbs)
XA-V-06602	1.72



Input Gear Assembly Replacement

Fast Gear (FG4) Right Hand Old Style -
Replaces LG0910, LG1928

PART NO.	WEIGHT (lbs)
RK-10980	4.42





DESIGNED TO MEET ALL CHALLENGES

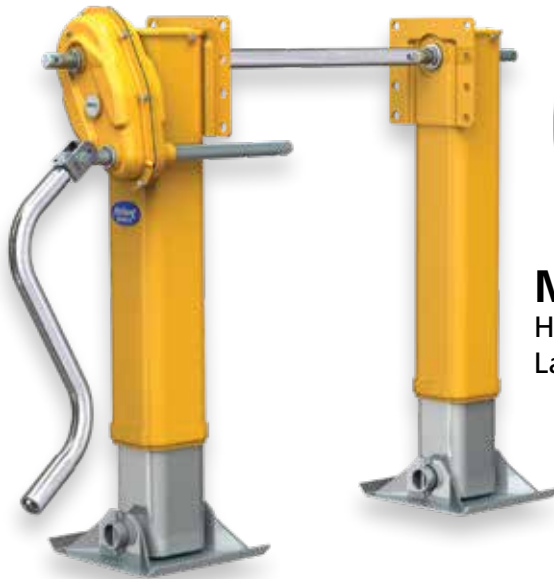
PROVEN PERFORMANCE IN HEAVY AND DEMANDING APPLICATIONS.



The MARK V™ is the strongest, toughest landing gear in the industry. Built in Canada, the MARK V™ offers all the advantages you expect from SAF-HOLLAND products, including BLACK ARMOUR® — the ultimate in corrosion protection.

- 62,500 lbs. Lift Capacity
- 200,000 lbs. Static Capacity
- BLACK ARMOUR® Corrosion Protection

Follow us on

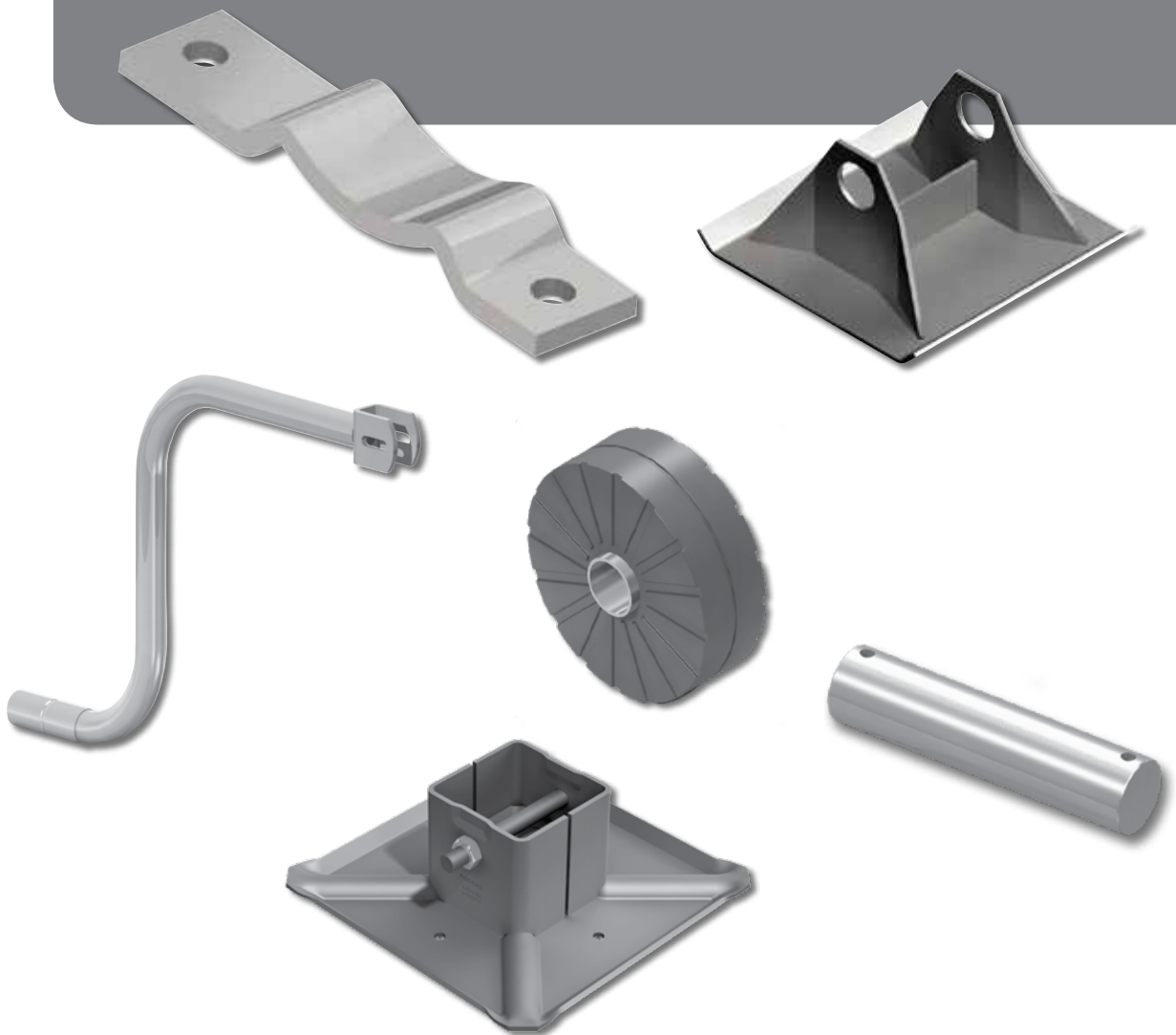


MARK V™
Heavy-Duty
Landing Gear



www.safholland.com 888.396.6501

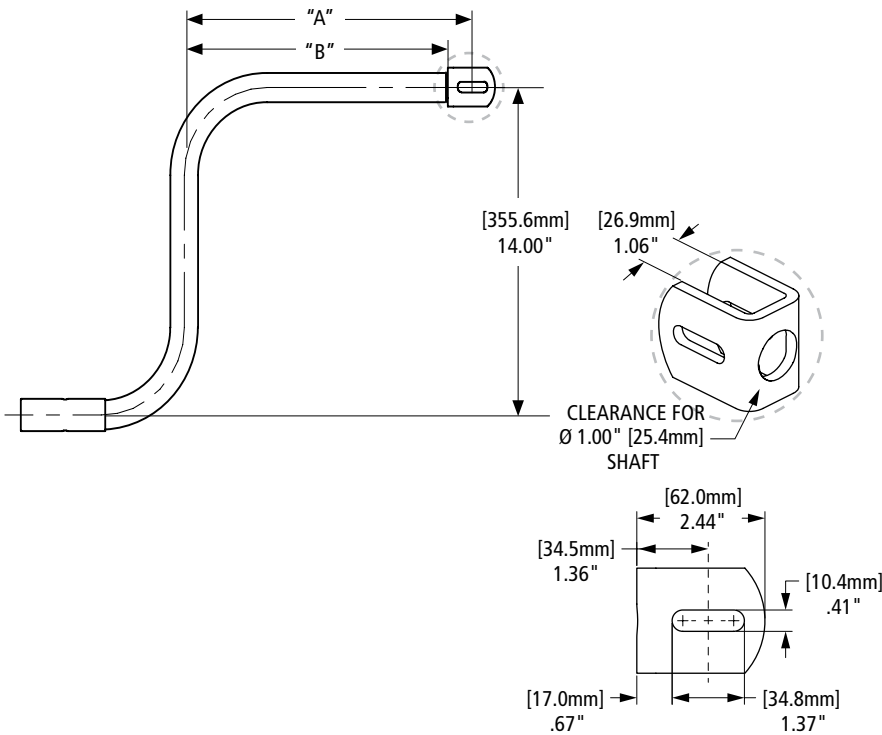
HOLLAND LANDING GEAR ACCESSORIES



For parts, service, and warranty questions,
call 888.396.6501 or visit www.safholland.us

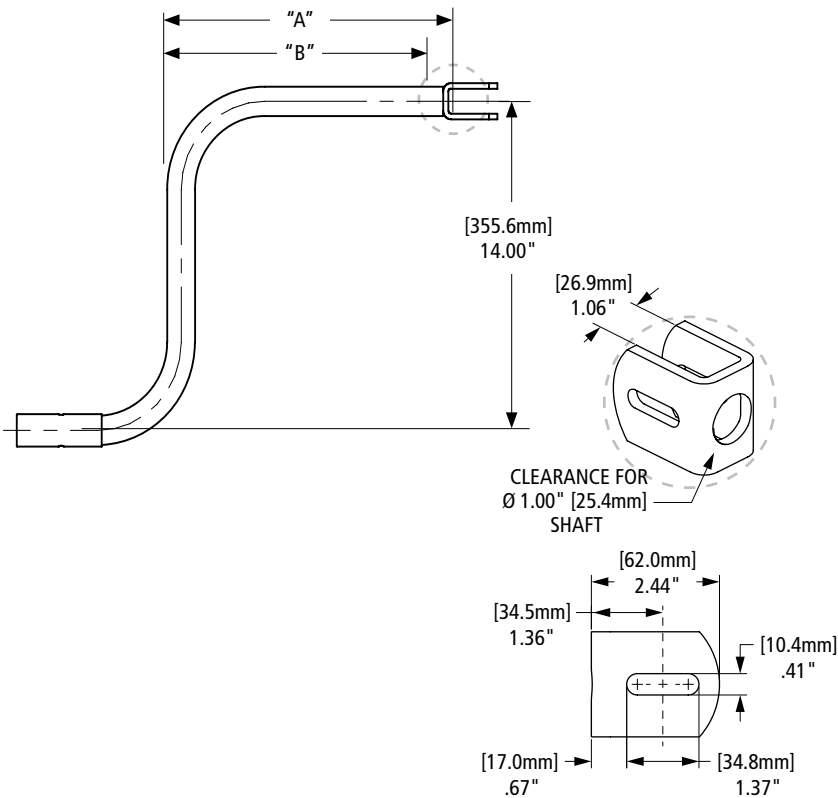
OEM Universal-Style Crank Handles

Vertical Folding



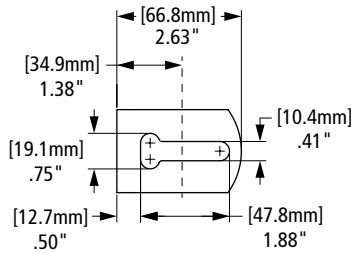
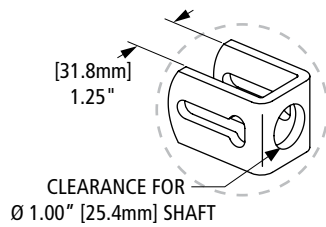
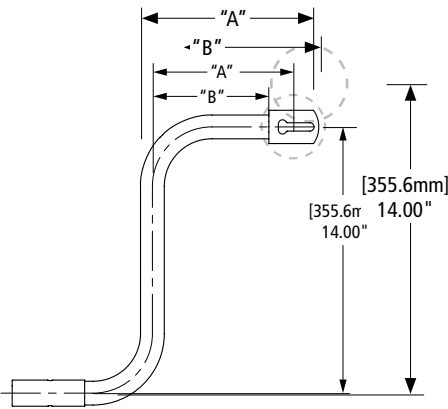
PART NO.	"A" LENGTH [mm]	"B" LENGTH [mm]	WEIGHT LBS. [kg]
LG0083-01	7.49" [190.2]	6.13" [155.7]	2.50 [1.13]
LG0083-07	9.36" [237.7]	8.00" [203.2]	2.70 [1.22]
LG0083-03	13.11" [333.0]	11.75" [298.5]	3.00 [1.36]
LG0083-09	16.86" [428.4]	15.50" [393.7]	3.30 [1.50]
LG0083-05	19.11" [485.4]	17.75" [450.8]	3.50 [1.59]
LG0083-11	22.36" [567.9]	21.00" [533.4]	4.20 [1.90]

Horizontal Folding

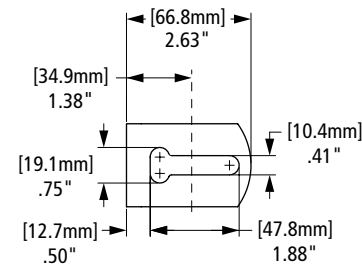
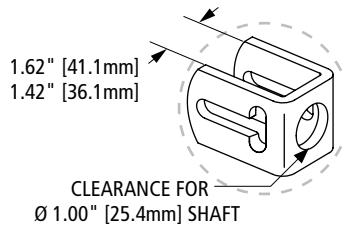
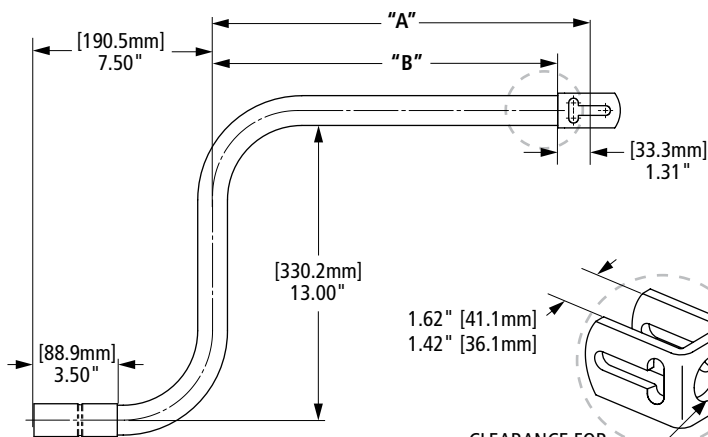


PART NO.	"A" LENGTH [mm]	"B" LENGTH [mm]	WEIGHT LBS. [kg]
LG0083-02	7.49" [190.2]	6.13" [155.7]	2.50 [1.13]
LG0083-08	9.36" [237.7]	8.00" [203.2]	2.70 [1.22]
LG0083-04	13.11" [333.0]	11.75" [298.5]	3.00 [1.36]
LG0083-10	16.86" [428.2]	15.50" [393.7]	3.30 [1.50]
LG0083-06	19.11" [485.3]	17.75" [450.9]	3.50 [1.59]
LG0083-12	22.36" [567.9]	21.00" [533.4]	4.20 [1.90]
LG0083-02-GPC-PK	7.49" [190.2]	6.13" [155.7]	2.50 [1.13]
LG0083-02-GREY-PC	7.49" [190.2]	6.13" [155.7]	2.50 [1.13]

Aftermarket Universal-Style Crank Handles Vertical Folding

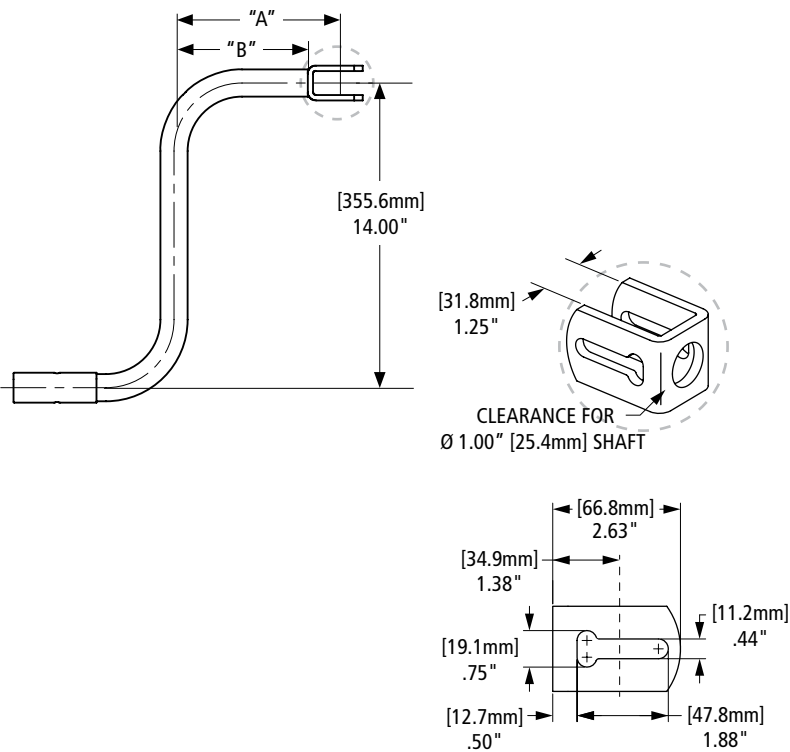


PART NO.	"A" LENGTH [mm]	"B" LENGTH [mm]	WEIGHT LBS. [kg]
50644000	7.45" [189.2]	6.13" [155.7]	2.50 [1.13]
50644006	9.36" [237.7]	8.00" [203.2]	2.70 [1.22]
50644002	13.11" [333.0]	11.75" [298.5]	3.00 [1.36]
50644008	16.86" [428.2]	15.50" [393.7]	3.30 [1.50]
50644004	19.11" [485.4]	17.75" [450.9]	3.50 [1.59]
50644010	22.36" [568.0]	21.00" [533.4]	4.20 [1.90]

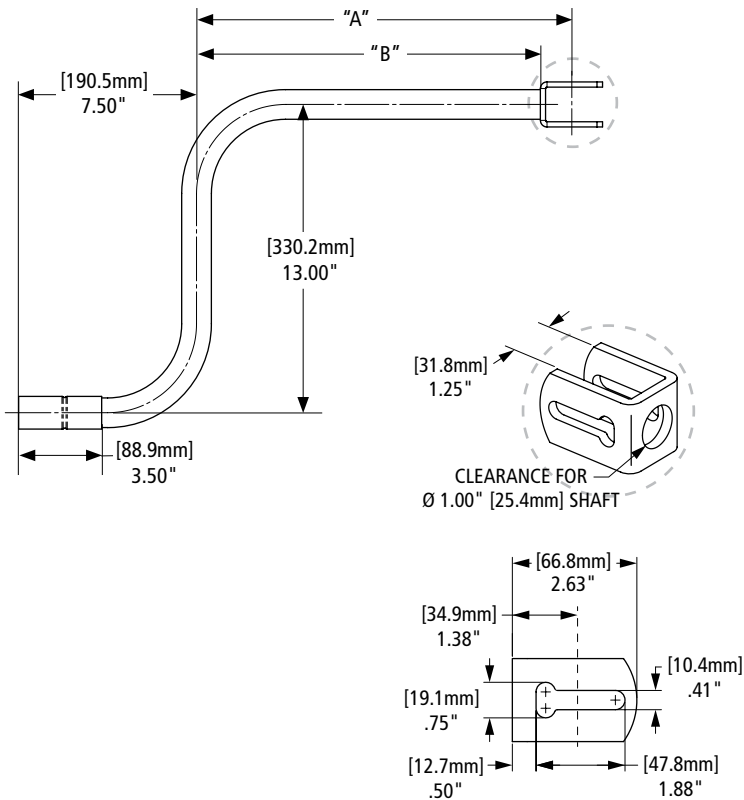


PART NO.	"A" LENGTH [mm]	"B" LENGTH [mm]	WEIGHT LBS. [kg]
50644050	11.00" [279.4]	9.69" [246.1]	3.00 [1.36]
50644051	15.88" [403.5]	14.57" [370.1]	3.50 [1.59]
50644052	21.00" [533.4]	19.69" [500.1]	3.75 [1.70]

Aftermarket Universal-Style Crank Handles Horizontal Folding

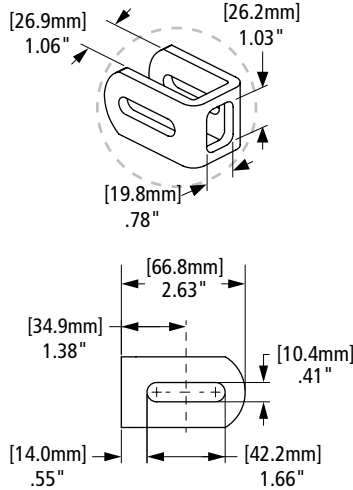
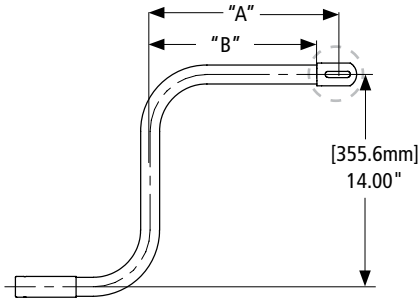


PART NO.	"A" LENGTH [mm]	"B" LENGTH [mm]	WEIGHT LBS. [kg]
50644001	7.49" [190.2]	6.13" [155.7]	2.50 [1.13]
50644007	9.36" [237.7]	8.00" [203.2]	2.70 [1.22]
50644003	13.11" [333.0]	11.75" [298.5]	3.00 [1.36]
50644009	16.86" [428.2]	15.50" [393.7]	3.30 [1.50]
50644005	19.11" [485.4]	17.75" [450.9]	3.50 [1.59]
50644011	22.36" [567.9]	21.00" [533.4]	4.20 [1.90]



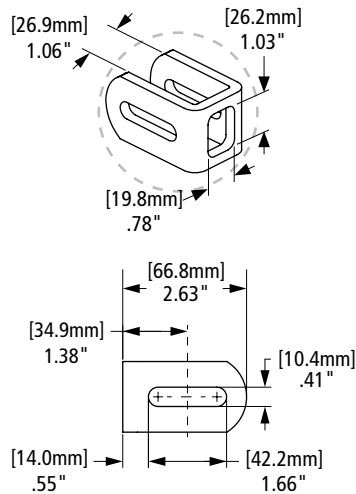
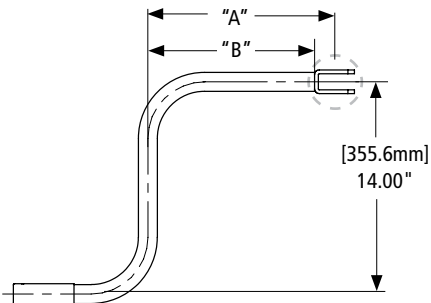
PART NO.	"A" LENGTH [mm]	"B" LENGTH [mm]	WEIGHT LBS. [kg]
50644047	12.00" [304.8]	10.69" [271.6]	3.10 [1.41]
50644048	15.88" [403.4]	14.57" [370.1]	3.50 [1.59]
50644049	21.00" [533.4]	19.69" [500.1]	3.75 [1.70]

OEM Mark V Crank Handles Vertical Folding



PART NO.	"A" LENGTH [mm]	"B" LENGTH [mm]	WEIGHT LBS. [kg]
XA-V-90-7	5.87" [149.1]	4.50" [114.3]	2.50 [1.13]
XA-V-90-0	9.87" [250.7]	8.50" [215.9]	3.00 [1.36]
XA-V-90-1	9.87" [250.7]	8.50" [215.9]	3.10 [1.41]
XA-V-90-8	11.87" [301.5]	10.50" [266.7]	3.00 [1.36]
XA-V-90-2	12.37" [314.2]	11.00" [279.4]	3.20 [1.45]
XA-V-90-5	15.25" [387.4]	13.88" [352.6]	3.50 [1.59]
XA-V-90-10	17.75" [450.9]	16.38" [416.1]	3.70 [1.68]
XA-V-90-11	19.75" [501.7]	18.38" [466.9]	3.90 [1.77]
XA-V-90-12	21.75" [552.5]	20.38" [517.7]	4.10 [1.86]

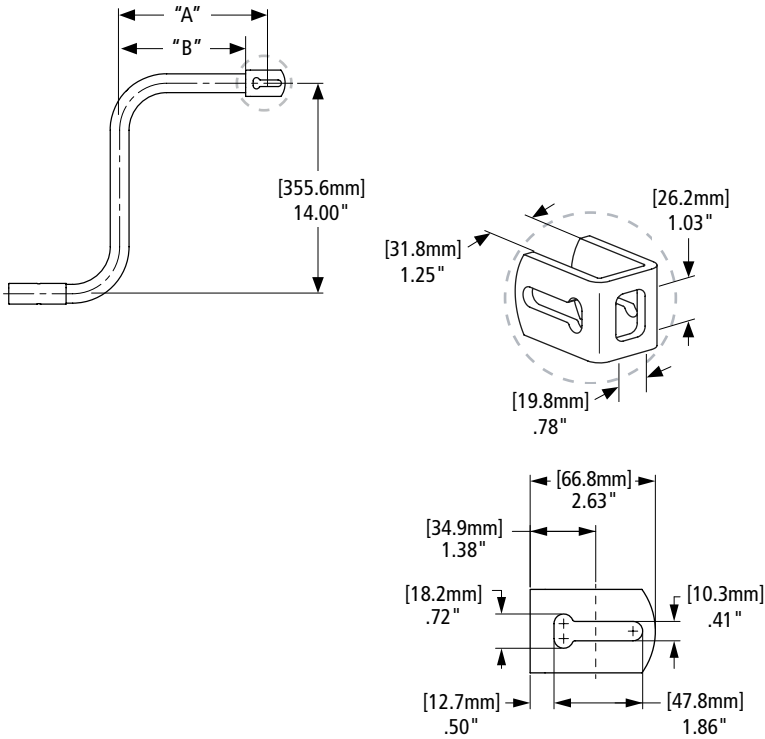
Horizontal Folding



PART NO.	"A" LENGTH [mm]	"B" LENGTH [mm]	WEIGHT LBS. [kg]
XA-V-90-161	5.37" [136.4]	4.00" [101.6]	2.20 [1.00]
XA-V-90-146	7.25" [184.2]	5.88" [149.4]	2.70 [1.22]
XA-V-90-3	9.87" [250.7]	8.50" [215.9]	3.00 [1.36]
XA-V-90-4	12.37" [314.2]	11.00" [279.4]	3.20 [1.45]
XA-V-90-6	15.25" [387.4]	13.88" [352.6]	3.50 [1.59]
XA-V-90-13	17.75" [450.9]	16.38" [416.1]	3.70 [1.68]

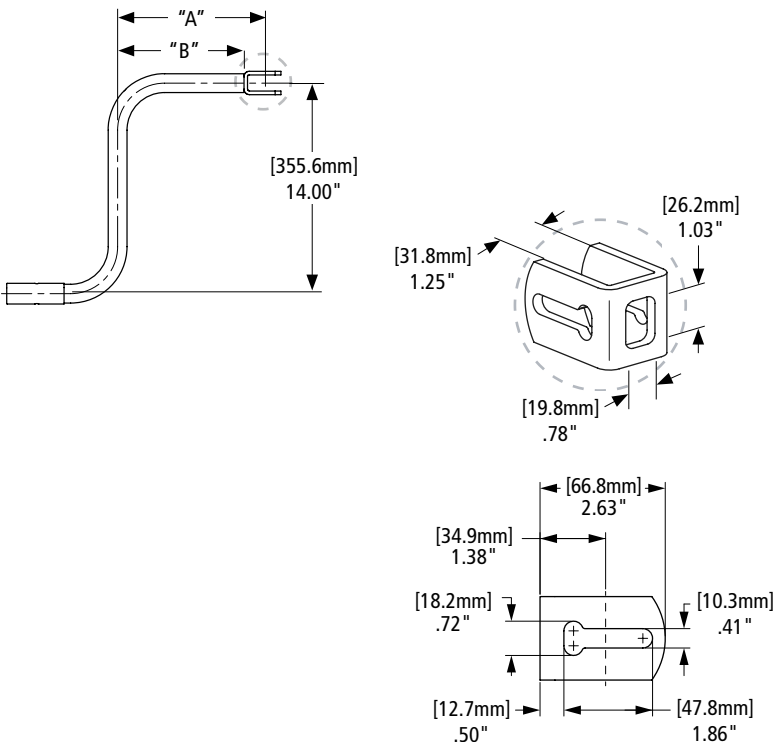
Aftermarket Mark V Crank Handles

Vertical Folding



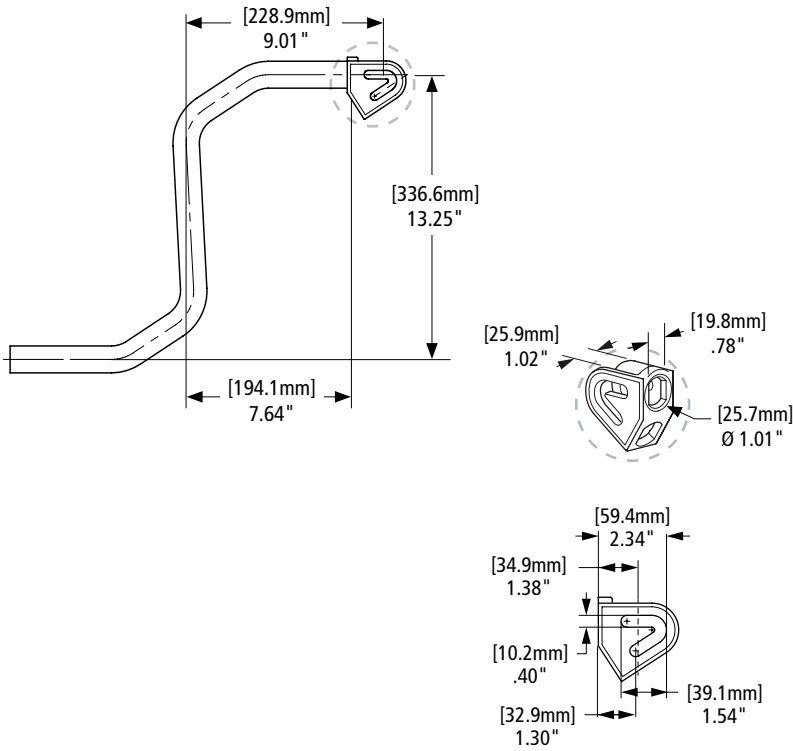
PART NO.	"A" LENGTH [mm]	"B" LENGTH [mm]	WEIGHT LBS. [kg]
50644013	5.70" [144.8]	4.38" [111.3]	2.50 [1.13]
50644015	9.70" [246.4]	8.38" [212.9]	3.00 [1.36]
50644017	12.20" [309.9]	10.88" [276.4]	3.20 [1.45]
50644019	15.07" [382.8]	13.75" [349.3]	3.50 [1.59]
50644021	17.57" [446.3]	16.25" [412.8]	3.70 [1.68]
50644023	21.57" [547.9]	20.25" [514.4]	4.10 [1.86]

Horizontal Folding



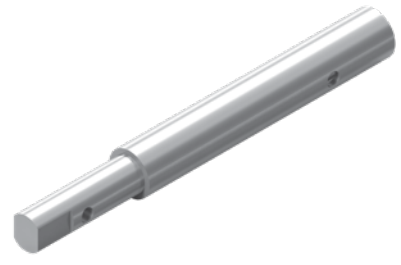
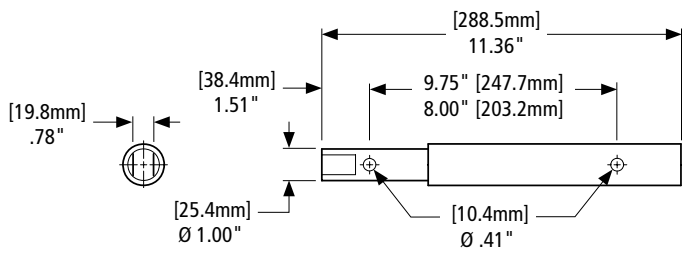
PART NO.	"A" LENGTH [mm]	"B" LENGTH [mm]	WEIGHT LBS. [kg]
50644014	7.07" [179.6]	5.75" [146.1]	2.70 [1.22]
50644016	9.70" [246.4]	8.38" [212.9]	3.00 [1.36]
50644018	12.20" [309.9]	10.88" [276.4]	3.20 [1.45]
50644020	15.07" [382.8]	13.75" [349.3]	3.50 [1.59]
50644022	17.57" [446.3]	16.25" [412.8]	3.70 [1.68]

Easy Bar



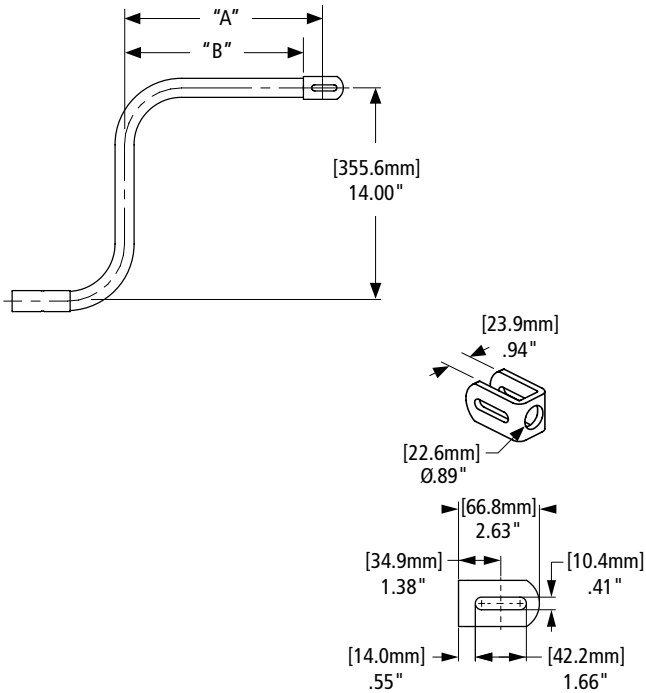
PART NO.	WEIGHT LBS. [kg]
50644036	4.00 [1.81]

Easy Bar Adjustable Adaptor



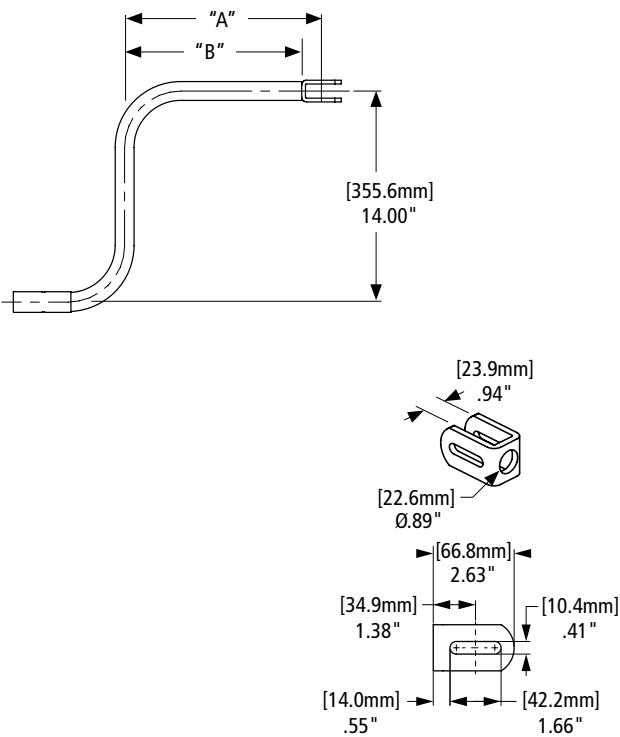
PART NO.	WEIGHT LBS. [kg]
50644037	2.50 [1.13]

Fruehauf-Style Crank Handles Vertical Folding



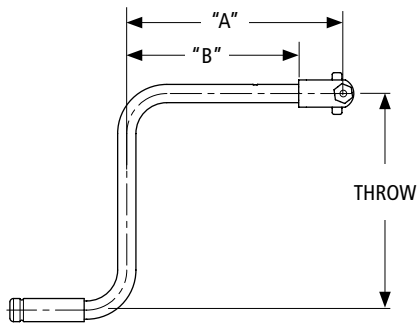
PART NO.	"A" LENGTH [mm]	"B" LENGTH [mm]	WEIGHT LBS. [kg]
LG2130-01	7.49" [190.2]	6.13" [155.7]	2.70 [1.22]
LG2130-07	9.36" [237.7]	8.00" [203.2]	2.90 [1.32]
LG2130-03	13.11" [333.0]	11.75" [298.5]	3.20 [1.45]
LG2130-05	19.11" [485.4]	17.75" [450.9]	3.70 [1.68]
LG2130-09	16.86" [428.2]	15.58" [395.7]	3.50 [1.59]
LG2130-11	22.36" [567.9]	21.00" [533.4]	4.00 [1.81]

Horizontal Folding



PART NO.	"A" LENGTH [mm]	"B" LENGTH [mm]	WEIGHT LBS. [kg]
LG2130-02	7.49" [190.2]	6.13" [155.7]	2.70 [1.22]
LG2130-08	9.36" [237.7]	8.00" [203.2]	2.90 [1.32]
LG2130-04	13.11" [333.0]	11.75" [298.5]	3.20 [1.45]
LG2130-06	19.11" [485.4]	17.75" [450.9]	3.70 [1.68]

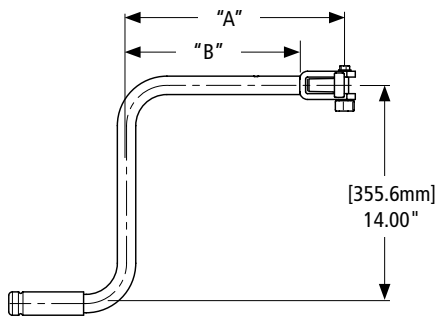
Speed Cranks Vertical Folding



PART NO.	"A" LENGTH [mm]	"B" LENGTH [mm]	THROW [mm]	WEIGHT LBS. [kg]
112021	9.00" [228.6]	6.13" [155.7]	14.00" [355.6]	3.90 [1.77]
112023	14.00" [355.6]	11.13" [282.7]	14.00" [355.6]	4.90 [2.22]
112025	20.00" [508.0]	17.11" [434.6]	14.00" [355.6]	6.10 [2.77]
112130*	8.00" [203.2]	5.13" [130.3]	12.00" [304.8]	3.70 [1.68]

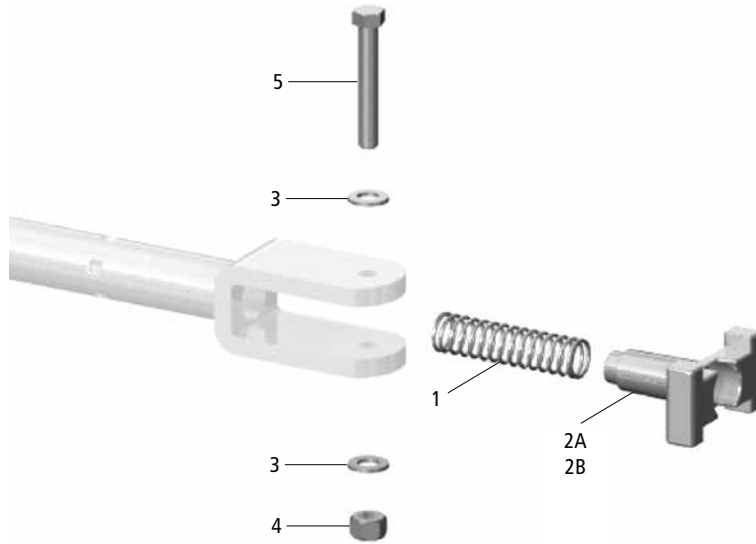
* For 7/8" Shaft

Horizontal Folding



PART NO.	"A" LENGTH [mm]	"B" LENGTH [mm]	WEIGHT LBS. [kg]
112001	9.00" [228.6]	6.13" [155.7]	3.90 [1.77]
112003	14.00" [355.6]	11.13" [282.7]	4.90 [2.22]
112005	20.00" [508.0]	17.11" [434.6]	6.10 [2.77]
112030*	8.00" [203.2]	5.13" [130.3]	3.70 [1.68]


* For 7/8" Shaft

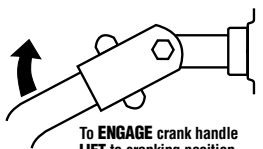


NO.	DESCRIPTION	PART NO.	QTY.	WEIGHT LBS. [kg]
1	Spring	112015	1	0.04 [0.02]
2A	Plunger - for 1" Shaft	112014	1	0.74 [0.34]
2B	Plunger - for .88" Shaft	112034	1	1.75 [0.79]
3	Washer - .38"	XB-PW-016-03	2	0.01 [0.005]
4	Hex Lock Nut - .38"-16	XB-SLN-012-04	1	0.01 [0.005]
5	Hex Head Screw - .38"-16 x 2.50" Lg	201208	1	0.10 [0.04]

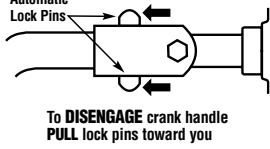
Speed Crank Decal - Operating Instructions

Part No. XL-LG375


SPEED CRANK®



To ENGAGE crank handle
LIFT to cranking position



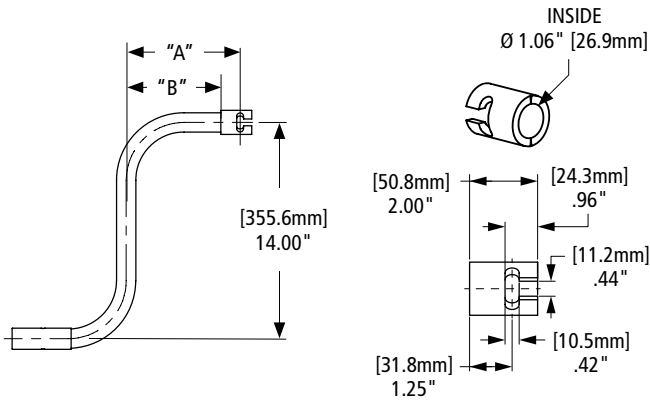
To DISENGAGE crank handle
PULL lock pins toward you

⚠ WARNING

Crank must be disengaged and stowed after use. Failure to safely stow crank prior to transit may result in the crank separating from the landing gear which, if not avoided, could result in death or serious injury.

Copyright © 2008 SAF-HOLLAND, Inc. XL-LG375 Rev. A

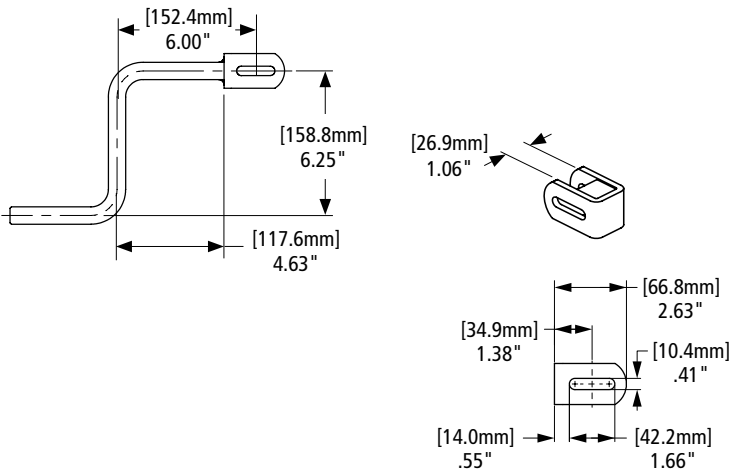
Removable-Style Crank Handle



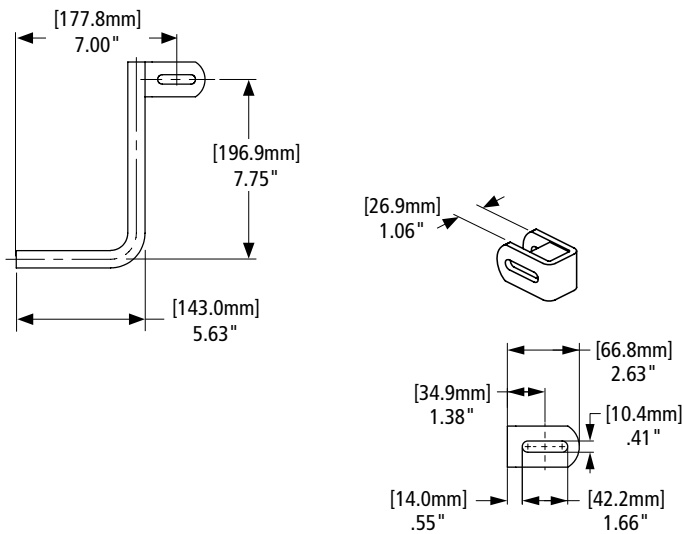
PART NO.	"A" LENGTH [mm]	"B" LENGTH [mm]	WEIGHT LBS. [kg]
50644031	7.38" [187.5]	6.13" [155.7]	2.80 [1.27]
50644032	13.00" [330.2]	11.75" [298.5]	3.30 [1.50]
50644033	19.00" [482.6]	17.75" [450.9]	3.80 [1.72]

NOTE: All kits include handle and pin

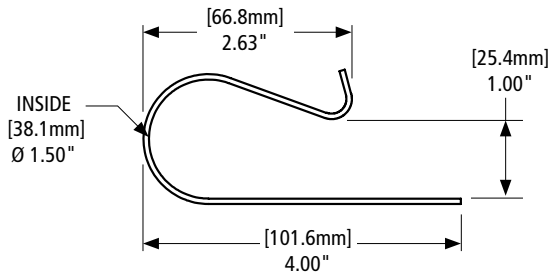
Dolly Jack Crank Handles



PART NO.	WEIGHT LBS. [kg]
50644034	2.50 [1.13]

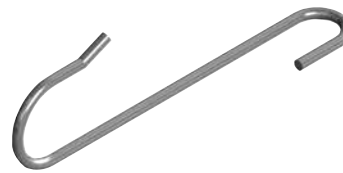
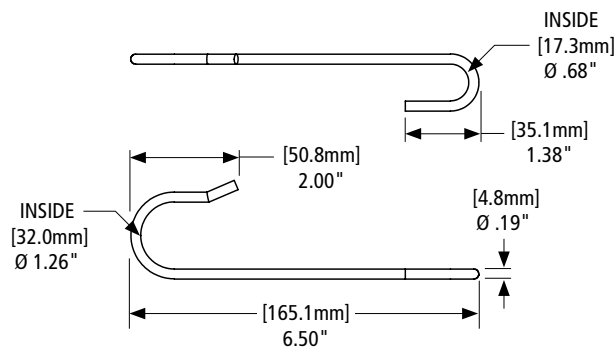


PART NO.	WEIGHT LBS. [kg]
50644035	2.20 [1.00]

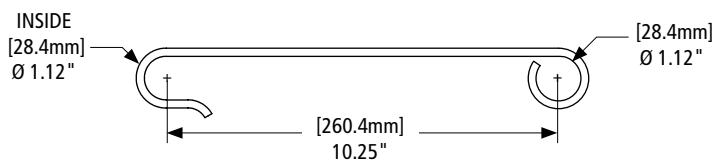
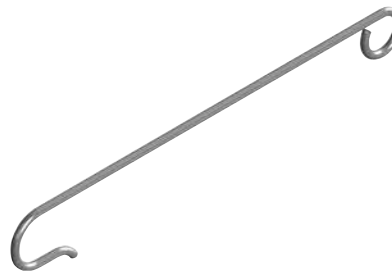


PART NO.	WEIGHT LBS. [kg]
50618000	0.20 [0.09]

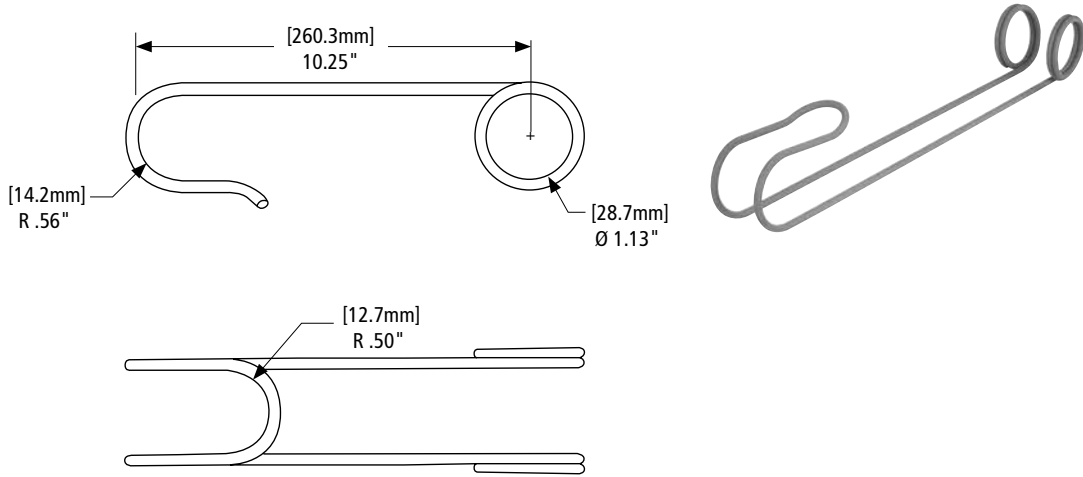
* Painted



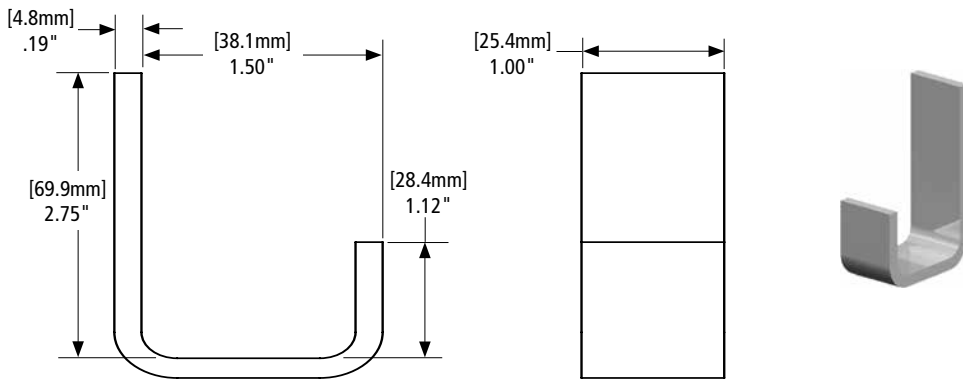
PART NO.	WEIGHT LBS. [kg]
50618001	0.10 [0.05]



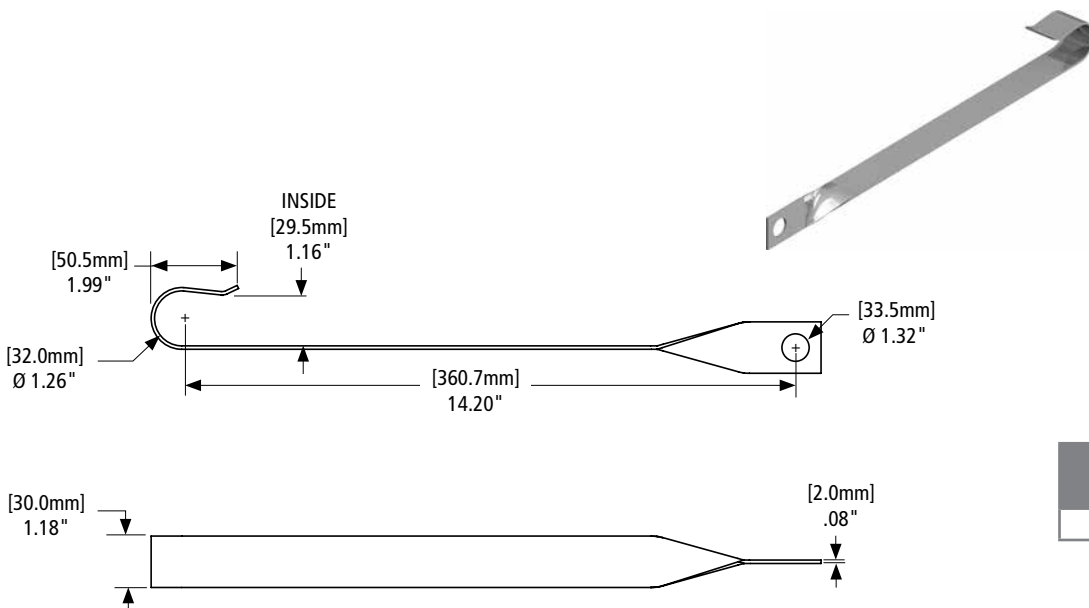
PART NO.	WEIGHT LBS. [kg]
50618002	0.20 Lbs [0.09]



PART NO.	WEIGHT LBS. [kg]
730122	0.10 [0.05]

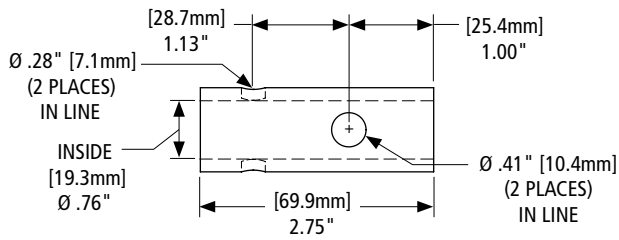


PART NO.	WEIGHT LBS. [kg]
750812	0.30 [0.14]

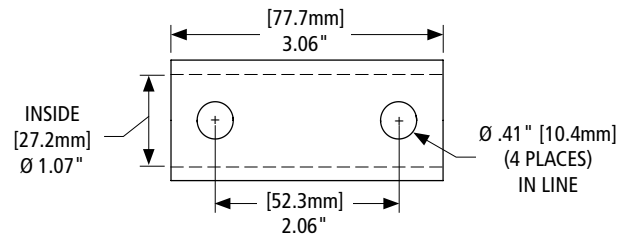


PART NO.	WEIGHT LBS. [kg]
XA-60024	0.50 [0.23]

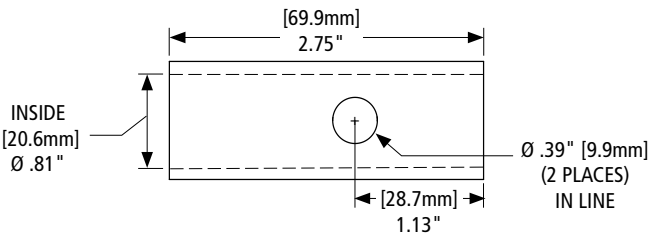
Crank Shaft Adapters



PART NO.	WEIGHT LBS. [kg]
LG0172	0.30 [0.14]

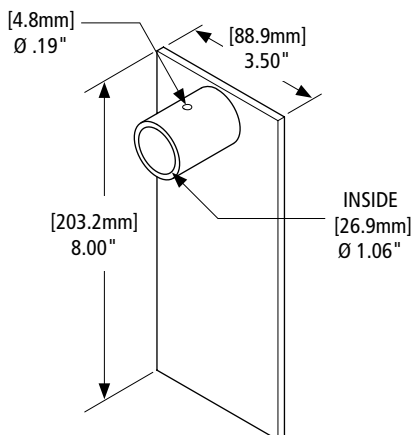


PART NO.	WEIGHT LBS. [kg]
XA-V-630-2	0.40 [0.18]



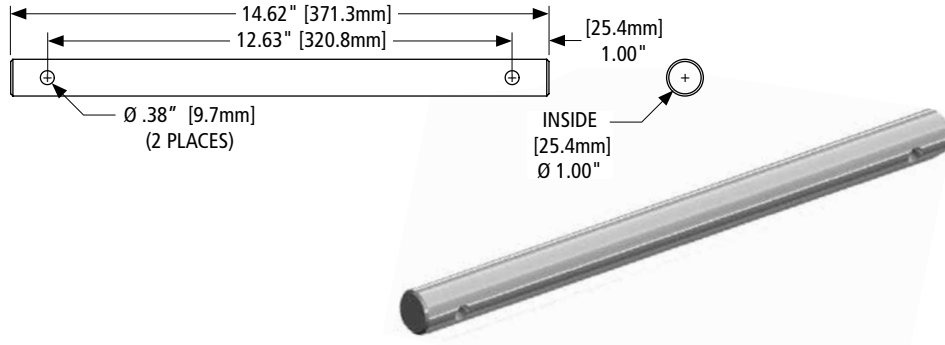
PART NO.	WEIGHT LBS. [kg]
XB-CP4651-16	0.20 [0.09]

Crank Shaft Bracket

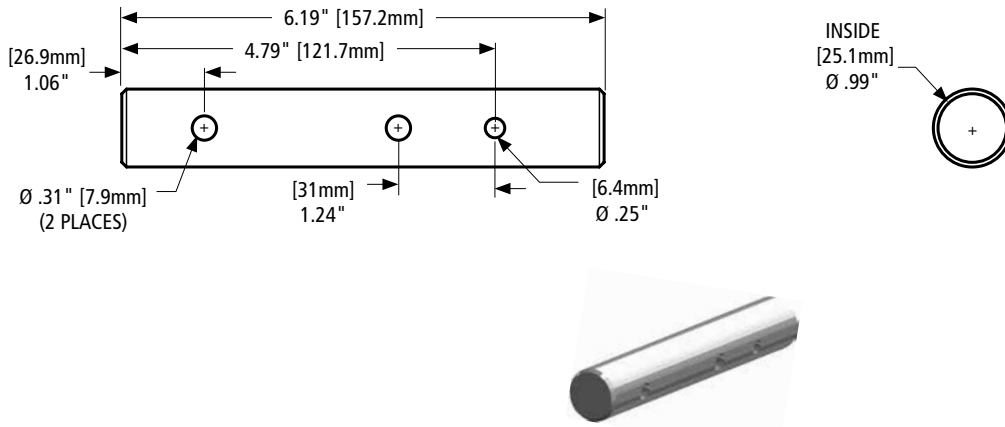


PART NO.	WEIGHT LBS. [kg]
XA-V-971	0.90 [0.41]

Crankshaft Extensions

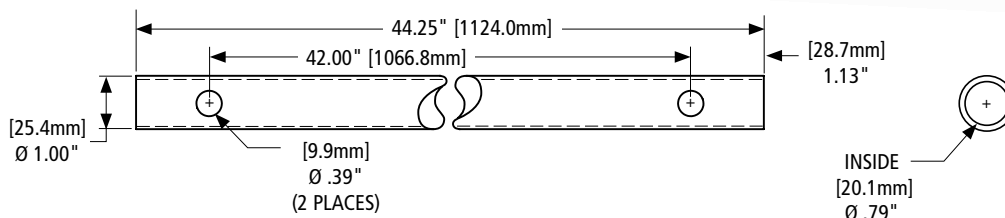


PART NO.	WEIGHT LBS. [kg]
750212	3.20 [1.45]



PART NO.	WEIGHT LBS. [kg]
751407	1.29 [0.59]

Crank Extension for 48000

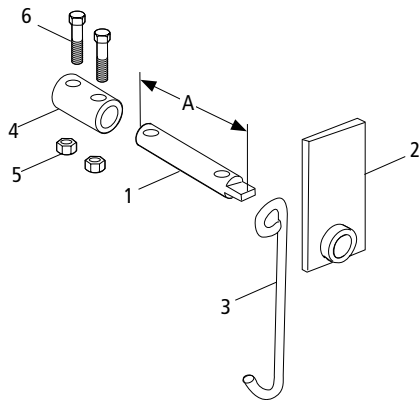


PART NO.	WEIGHT LBS. [kg]
LG2023	3.70 [1.68]

Mark V Extension Bracket Kits

RK-V-1997

PART NO.	ITEM NO. 1	ITEM NO. 1 WEIGHT LBS. [KG]	DIM "A" [mm]	KIT WEIGHT LBS. [KG]
RK-V-1997-1	XA-V-1916	3.45 [1.56]	15.44" [392.2]	5.12 [2.32]
RK-V-1997-2	XA-V-1916-1	1.89 [0.86]	8.94" [227.1]	3.54 [1.61]



Replacement Parts

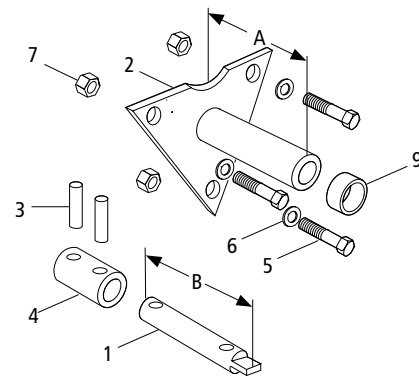
NO.	DESCRIPTION	PART NO.	QTY.	WEIGHT LBS. [kg]
1	Extension Shaft	SEE TABLE ABOVE	1	SEE TABLE ABOVE
2	Crankshaft Bracket	XA-V-971	1	1.68 [0.76]
3	Crank Hanger	XB-V-1915	1	0.19 [0.09]
4	Crankshaft Coupler	XA-V-630-2	1	0.40 [0.18]
5	Lock Nut - 3/8"-16	XB-338	2	0.02 [0.01]
6	HHCS - 3/8"-16 x 2.00"	XB-V-444-4	2	0.08 [0.04]

Installation Instructions (Part No. XL-LG303) available at www.safholland.us

RK-V-07602

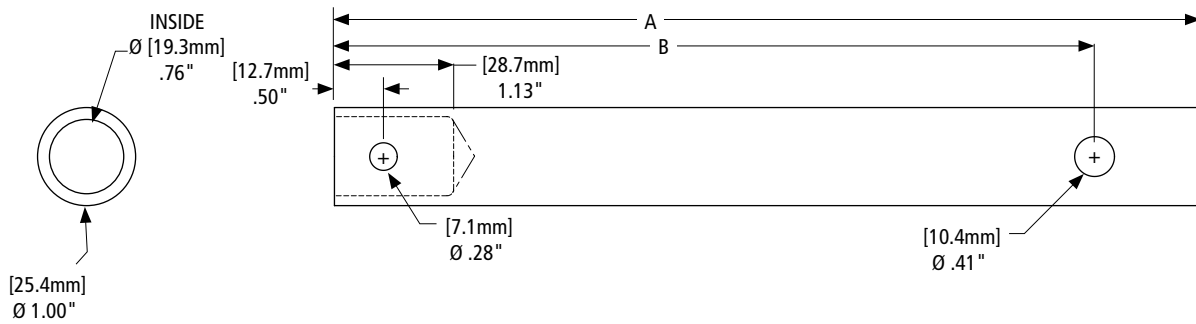
PART NO.	ITEM NO. 1	ITEM NO. 1 WEIGHT LBS. [KG]	DIM "B" [mm]	KIT WEIGHT LBS. [KG]
RK-V-07602-1	XA-V-1916	3.45 [1.56]	15.44" [392.2]	10.00 [4.54]
RK-V-07602-2	XA-V-1916-1	1.89 [0.86]	8.94" [227.1]	8.20 [3.72]

PART NO.	ITEM NO. 2	ITEM NO. 2 WEIGHT LBS. [KG]	DIM "A" [mm]	KIT WEIGHT LBS. [KG]
RK-V-07602-1	XA-V-07601-1	7.780 [3.53]	15.56" [395.2]	10.00 [4.54]
RK-V-07602-2	XA-V-07601-2	5.810 [2.64]	9.06" [230.1]	8.20 [3.72]



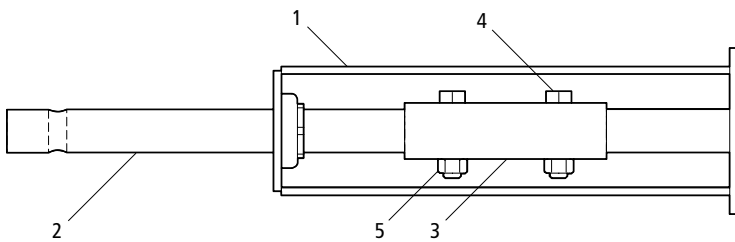
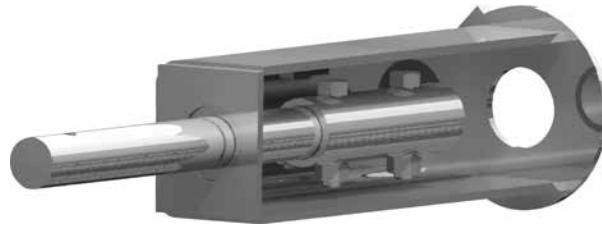
Replacement Parts

NO.	DESCRIPTION	PART NO.	QTY.	WEIGHT LBS. [kg]
1	Extension Shaft	SEE TABLE ABOVE	1	SEE TABLE ABOVE
2	Extension Bracket	SEE TABLE ABOVE	1	SEE TABLE ABOVE
3	Roll Pin .38" Ø x 1.50" Lg.	XB-21-S-375-1500	2	0.02 [0.01]
4	Crank Shaft Coupler	XA-V-630-2	1	0.40 [0.18]
5	HHCS .25"-28 x 3" Lg.	XB-07618	3	0.05 [0.02]
6	Washer	XB-04523	3	0.01 [0.005]
7	Lock Nut .25"-28	XB-3103	3	0.01 [0.005]
9	Bushing (Included in Item 2)	XB-V-851	*	0.01 [0.005]



PART NO.	DIM "A" [mm]	DIM "B" [mm]	WEIGHT LBS. [kg]
LG2462	8.88" [225.6]	7.75" [196.9]	1.84 [0.83]
LG2462-01	7.38" [187.5]	6.25" [158.8]	1.50 [0.68]
LG2462-02	13.13" [333.5]	12.00" [304.8]	2.80 [1.27]
LG2462-03	6.38" [162.1]	5.25" [133.4]	1.30 [0.59]

Horn Extension

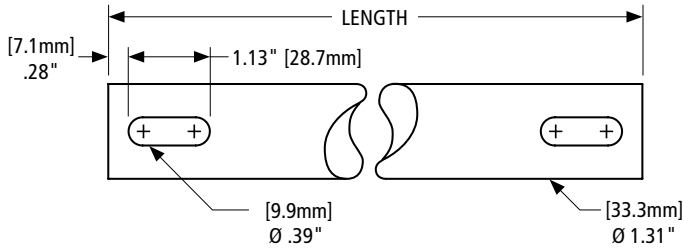


PART NO.	WEIGHT LBS. [kg]
LG0100	10.20 [4.63]

Replacement Parts

NO.	DESCRIPTION	PART NO.	QTY.	WEIGHT LBS. [kg]
1	Horn Assembly	LG0216	1	4.49 [2.04]
2	Drive Shaft	LG0222-01	1	2.38 [1.08]
3	Sleeve	LG0223	1	0.61 [0.28]
4	Hex Cap Screw - 3/8" -16 x 1-3/4" GR5	XB-HHC-050-87	2	0.06 [0.03]
5	Self Locking Nut - 3/8" -16, Zinc Plate	XB-SLN-012-04	2	0.01 [0.005]

Cross Drive Shaft



Cross Drive Tube Length Formula

Subtract the number below from the mounting distance to determine the proper cross drive tube length.

MOUNT	MOUNTED CONVENTIONAL [mm]	MOUNTED REVERSE [mm]
Universal	7.313" [185.75]	17.125" [434.98]
I-Beam (6.50" Shaft Dim.)	11.313" [287.35]	-
I-Beam (10" Shaft Dim.)	18.313" [465.15]	-
Top	12.750" [323.85]	11.750" [298.45]

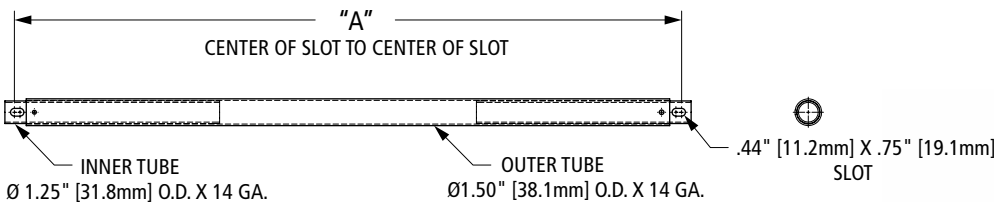
PART NO.	LENGTH [mm]	NO. SLOTS	WEIGHT LBS. [kg]
*LG0094-#	*SEE NOTE	2	VARIABLES
LG0094	68.00" [1727.2]	1	9.30 [4.22]

* The number following the dash represents the Length (in.) in 2 place decimal form. For part number, remove # and insert numbers after dash. Length should be rounded off to the nearest .50" Example: If the length is 33.00", the part number would be LG0094-3300.

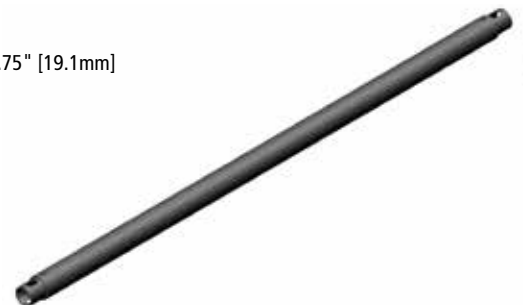
Part numbers may also have a non-numeric suffix. Example: LG0094-6400-P "P" indicates paint

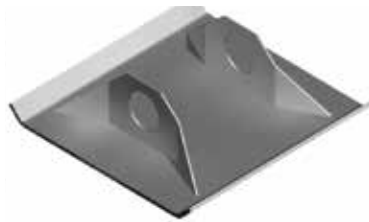
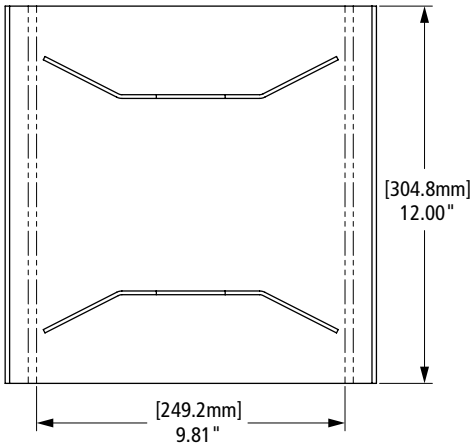
PART NO.	WEIGHT LBS. [kg]
50618046	5.20 [2.36]

Adjustable Cross Drive Shaft



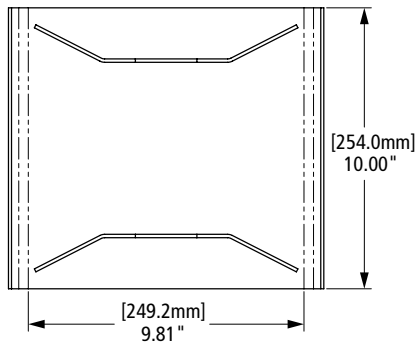
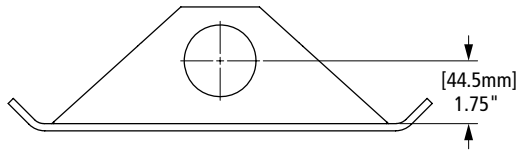
PART NO.	DIM "A" [mm]	WEIGHT LBS. [kg]
50618004	37.00" [939.8] X 56.00" [1422.4]	5.91 [2.68]
50618005	53.00" [1346.2] X 72.00" [1828.8]	7.67 [3.48]





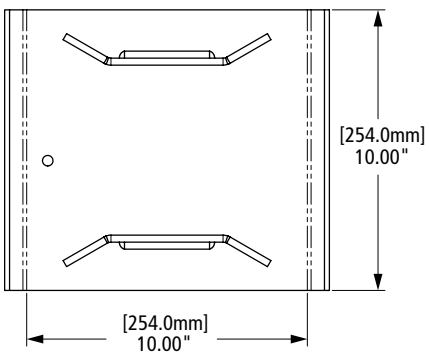
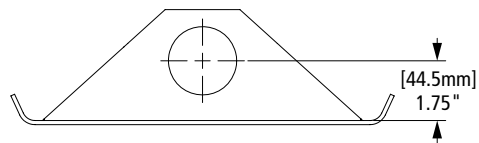
PART NO.	SIDE THICKNESS	BASE THICKNESS	WEIGHT LBS. [kg]
50616007	.12" [3.0mm]	.2" [5.1mm]	12.10 [5.49]

NO GUSSET



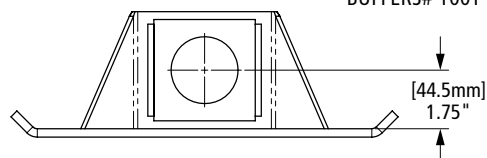
PART NO.	SIDE THICKNESS	BASE THICKNESS	WEIGHT LBS. [kg]
50616008	.12" [3.0mm]	.12" [3.0mm]	8.10 [3.67]

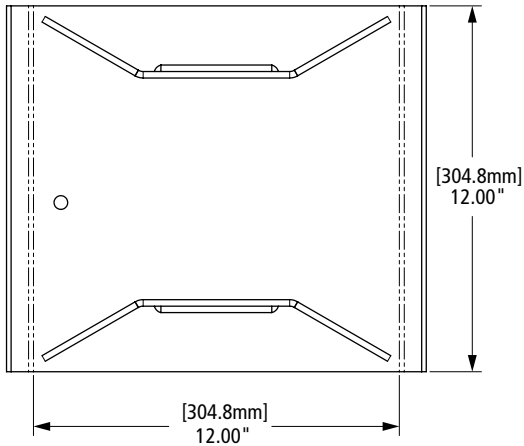
NO GUSSET



PART NO.	PATCH	SIDE THICKNESS	BASE THICKNESS	WEIGHT LBS. [kg]
50616034	.25" [6.4]	.25" [6.5mm]	.25" [6.4mm]	11.9 [5.4]

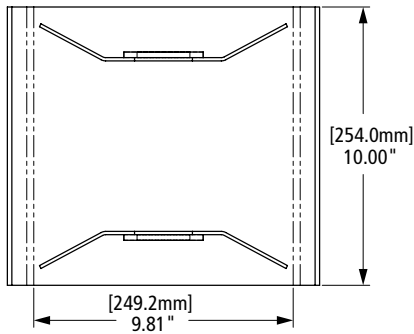
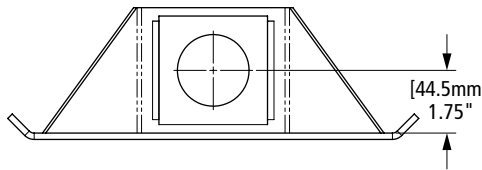
NO GUSSET
SUB FOR: PENZ# 05-311
BUFFERS# 1001-1537





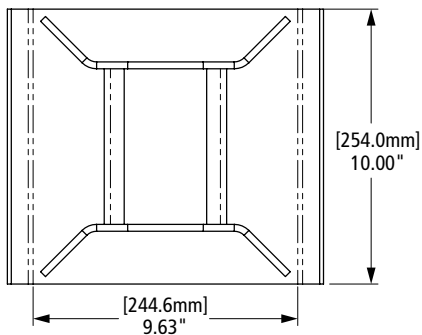
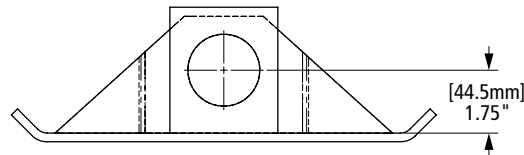
PART NO.	PATCH	SIDE THICKNESS	BASE THICKNESS	WEIGHT LBS. [kg]
50616035	.25" [6.4mm]	.25" [6.4mm]	.25" [6.4mm]	15.32 [6.95]

NO GUSSET
SUB FOR: PENZ# 05-336



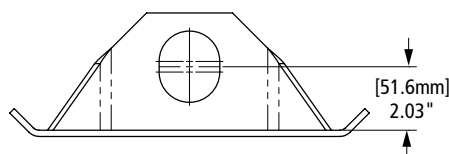
PART NO.	PATCH	SIDE THICKNESS	BASE THICKNESS	WEIGHT LBS. [kg]
LG0056-02	.2" [5.1mm]	.12" [3.0mm]	.24" [6.1mm]	12.16 [5.52]

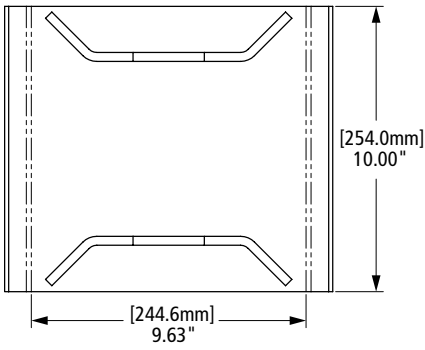
NO GUSSET



PART NO.	SIDE THICKNESS	BASE THICKNESS	WEIGHT LBS. [kg]
XA-04681	.25" [6.4mm]	.2" [5.1mm]	10.10 [4.58]

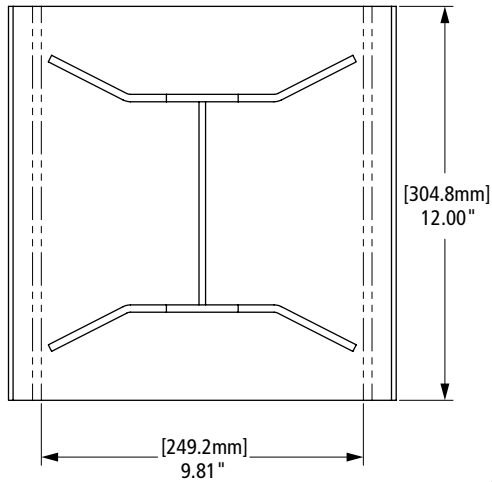
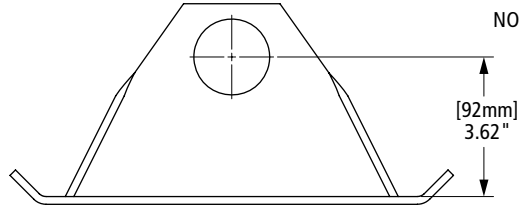
DOUBLE GUSSET





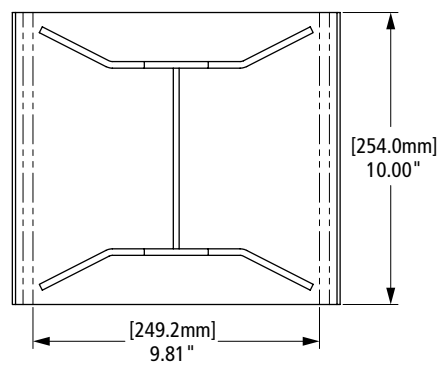
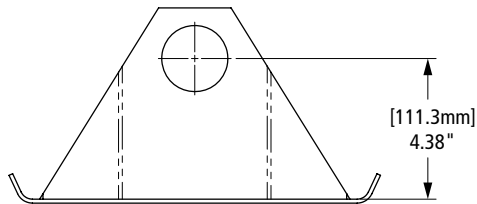
PART NO.	SIDE THICKNESS	BASE THICKNESS	WEIGHT LBS. [kg]
50616006	.31" [7.9mm]	.2" [5.1mm]	12.00 [5.44]

NO GUSSET



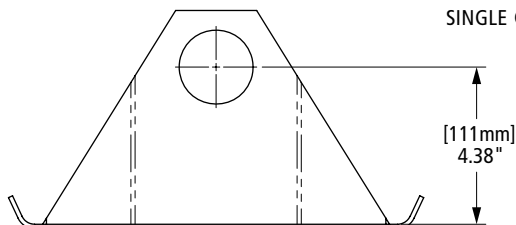
PART NO.	SIDE THICKNESS	BASE THICKNESS	WEIGHT LBS. [kg]
50616000	.23" [5.8mm]	.2" [5.1mm]	14.90 [6.76]

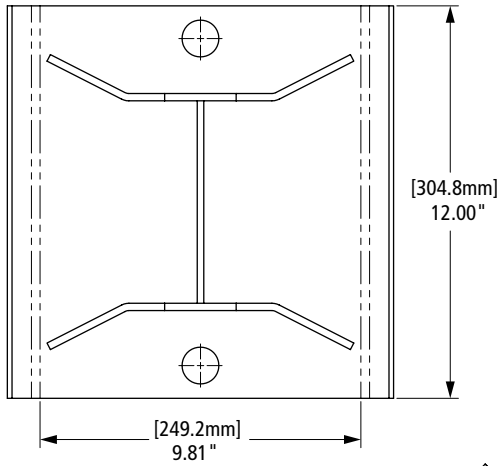
SINGLE GUSSET



PART NO.	SIDE THICKNESS	BASE THICKNESS	WEIGHT LBS. [kg]
50616001	.23" [5.8mm]	.12" [3mm]	10.90 [4.94]

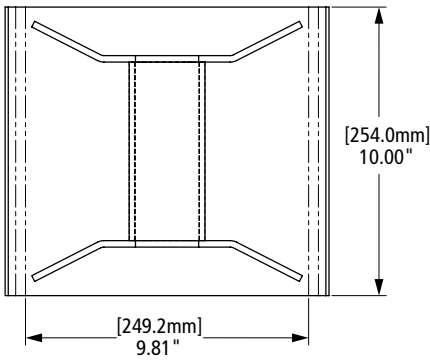
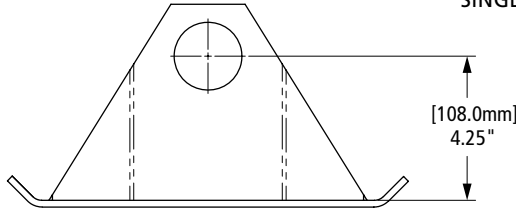
SINGLE GUSSET





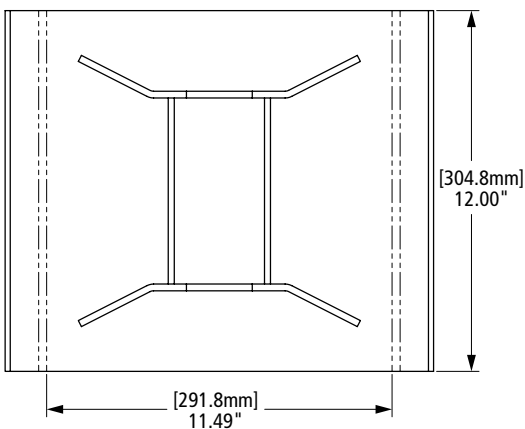
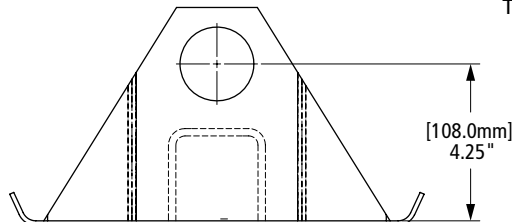
PART NO.	SIDE THICKNESS	BASE THICKNESS	WEIGHT LBS. [kg]
LG0050-01	.23" [5.8mm]	.2" [5.1mm]	14.90 [6.72]

SINGLE GUSSET



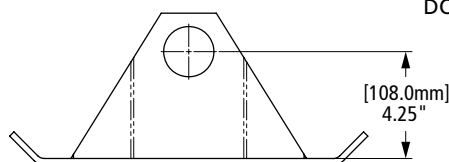
PART NO.	SIDE THICKNESS	BASE THICKNESS	WEIGHT LBS. [kg]
LG0055-01	.23" [5.8mm]	.12" [3mm]	12.60 [5.72]

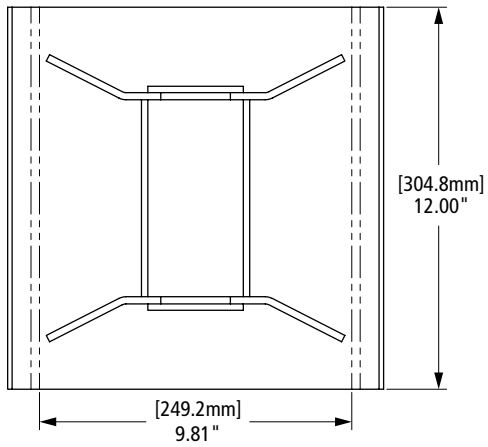
TUNNEL GUSSET



PART NO.	SIDE THICKNESS	BASE THICKNESS	WEIGHT LBS. [kg]
LG0065-03	.23" [5.8mm]	.24" [6.1mm]	18.10 [8.21]

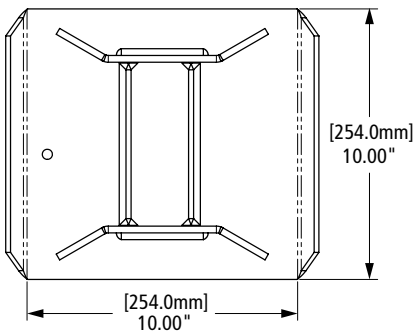
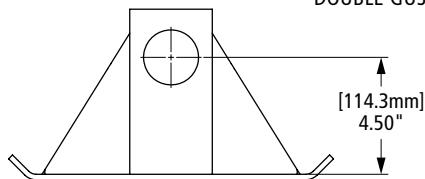
DOUBLE GUSSET





PART NO.	PATCHES	SIDE THICKNESS	BASE THICKNESS	WEIGHT LBS. [kg]
50616012	.2" [5.1mm]	.23" [5.8mm]	.2" [5.1mm]	17.50 [7.94]

DOUBLE GUSSET



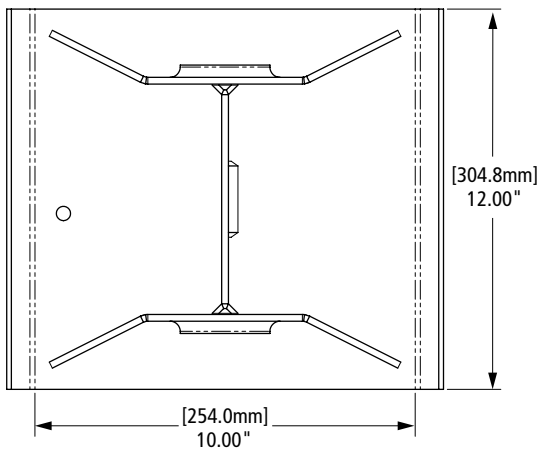
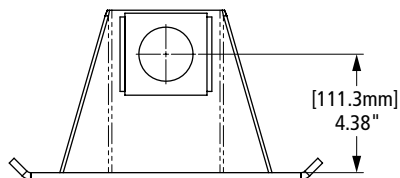
PART NO.	PATCHES	SIDE THICKNESS	BASE THICKNESS	WEIGHT LBS. [kg]
50616036	.25" [6.4mm]	.25" [6.4mm]	.25" [6.4mm]	17.5 [7.9]

DOUBLE GUSSET

SUB FOR:

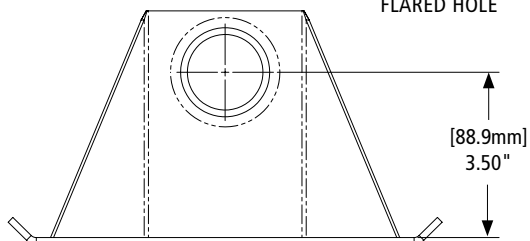
PENZ# 05-318

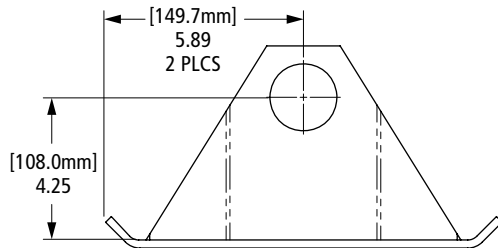
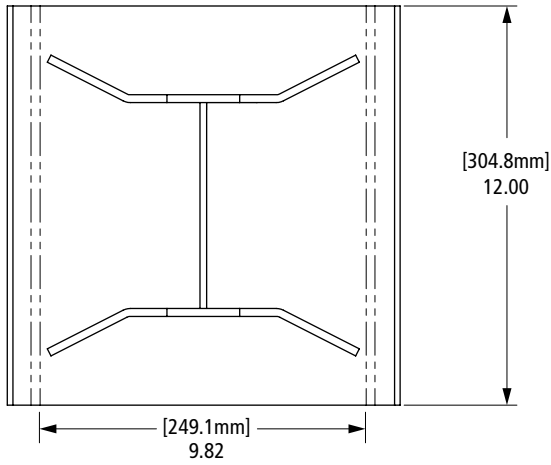
BUFFERS# 1001-2035



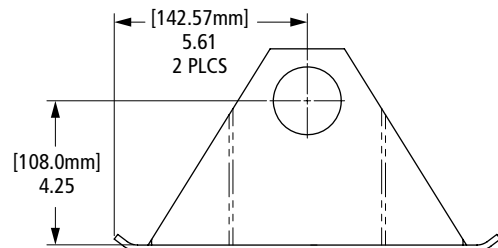
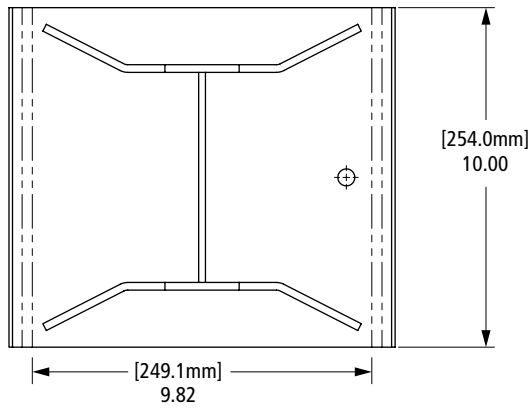
PART NO.	SIDE THICKNESS	BASE THICKNESS	WEIGHT LBS. [kg]
50616039	.25" [6.4mm]	.25" [6.4mm]	15.80 [7.17]

SINGLE GUSSET
FLARED HOLE

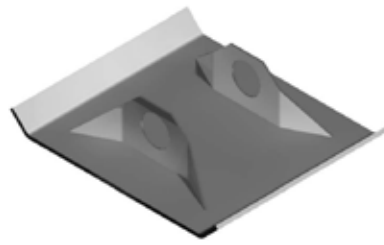
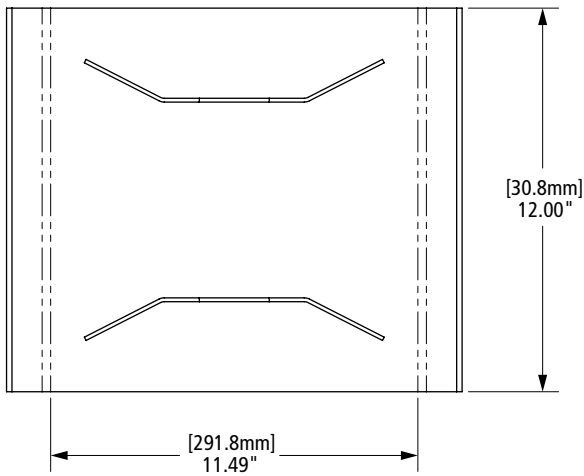




PART NO.	SIDE THICKNESS	BASE THICKNESS	WEIGHT LBS. [kg]
LG0050	.22" [5.6]	.20" [5.1]	14.90 [6.76]

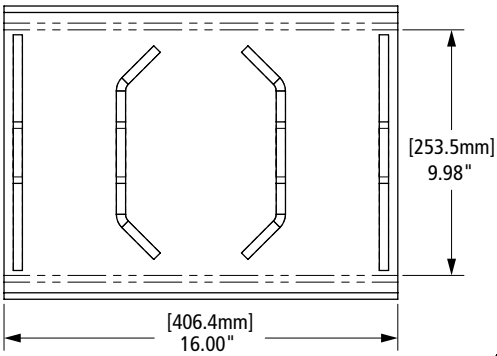
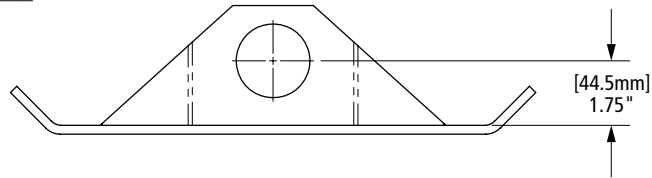


PART NO.	SIDE THICKNESS	BASE THICKNESS	WEIGHT LBS. [kg]
LG0055	.25" [6.4mm]	.12" [3.0mm]	8.80 [4.00]



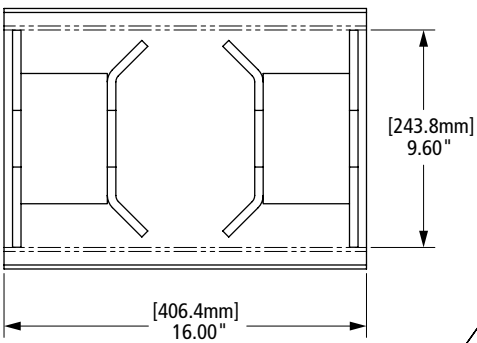
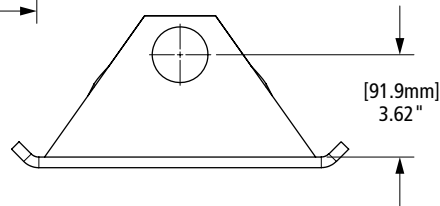
PART NO.	SIDE THICKNESS	BASE THICKNESS	WEIGHT LBS. [kg]
50616009	.12" [3.0mm]	.24" [6.1mm]	14.30 [6.49]

NO GUSSET



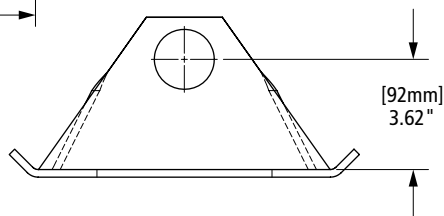
PART NO.	SIDE THICKNESS	BASE THICKNESS	WEIGHT LBS. [kg]
50616015	.38" [9.7mm]	.38" [9.7mm]	22.00 [9.98]

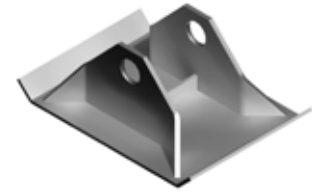
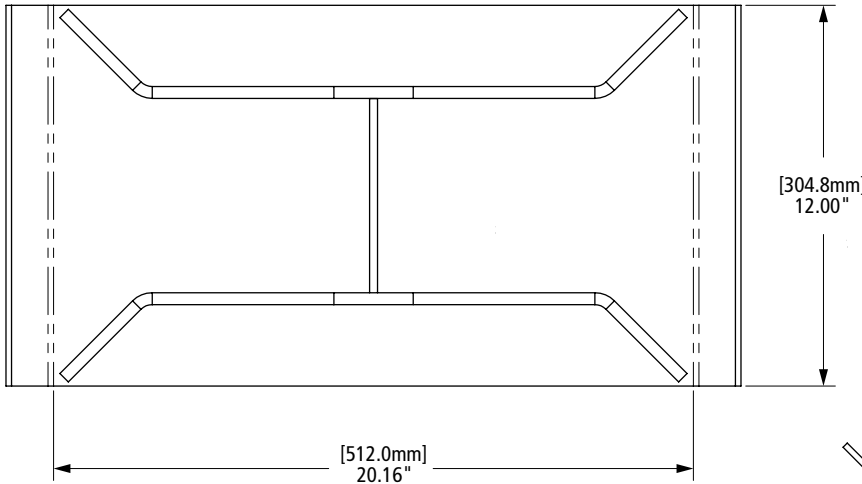
NO GUSSET



PART NO.	SIDE THICKNESS	BASE THICKNESS	WEIGHT LBS. [kg]
50616016	.38" [9.7mm]	.25" [6.4mm]	22.00 [9.98]

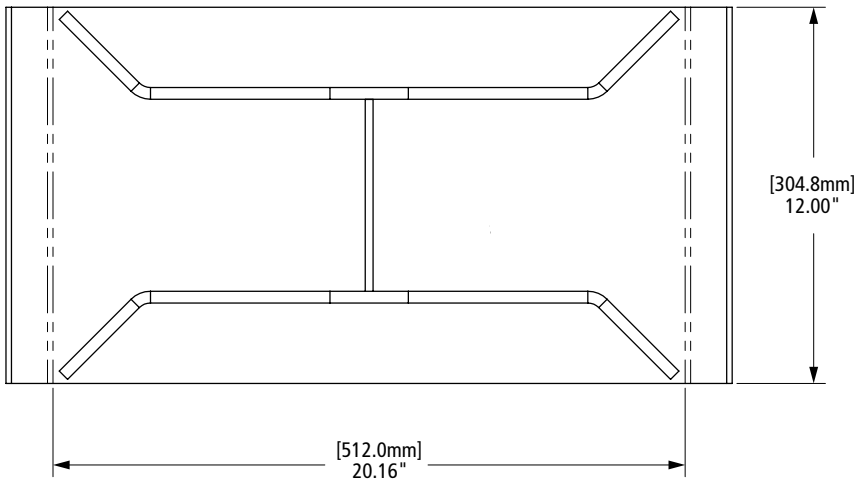
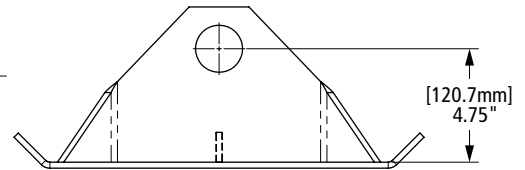
NO GUSSET





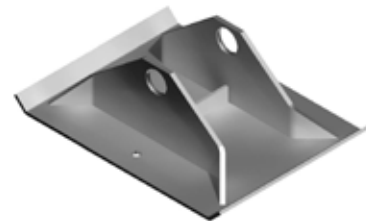
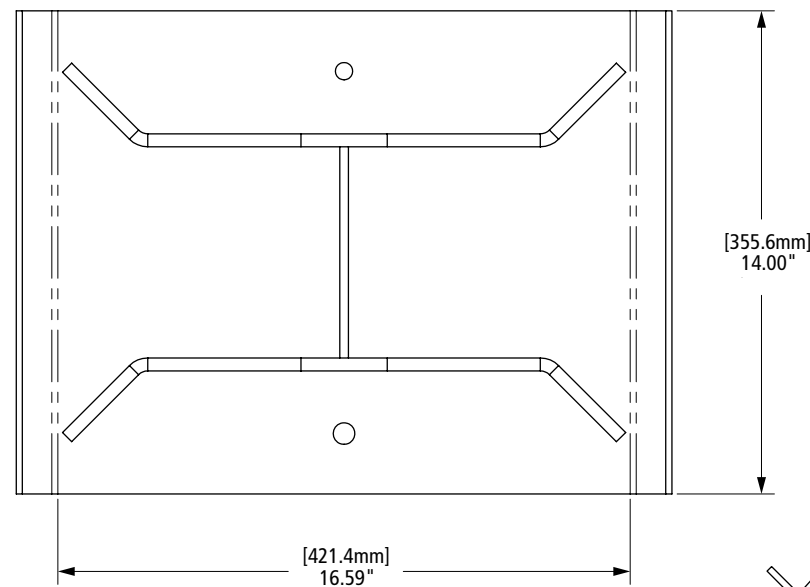
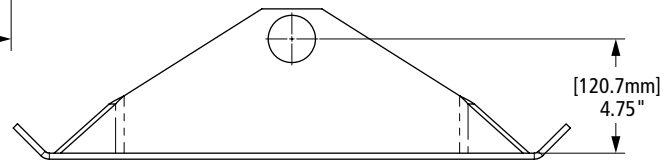
PART NO.	SIDE THICKNESS	BASE THICKNESS	WEIGHT LBS. [kg]
50616002	.38" [9.7mm]	.25" [6.4mm]	27.40 [12.43]

SINGLE GUSSET



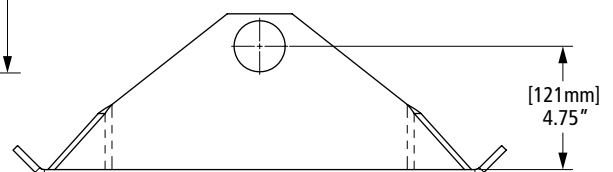
PART NO.	SIDE THICKNESS	BASE THICKNESS	WEIGHT LBS. [kg]
50616003	.38" [9.7mm]	.25" [6.4mm]	35.70 [16.19]

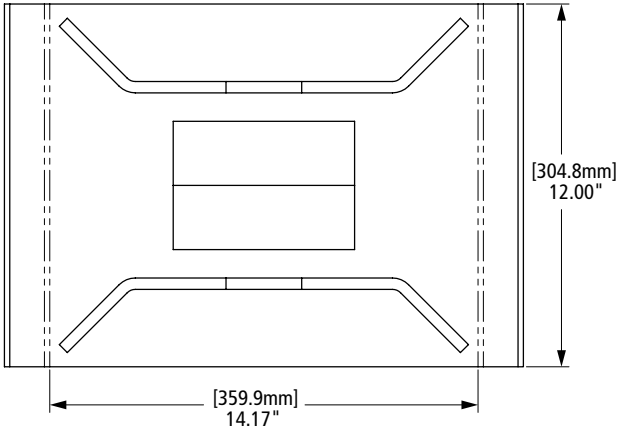
SINGLE GUSSET



PART NO.	SIDE THICKNESS	BASE THICKNESS	WEIGHT LBS. [kg]
50616004	.38" [9.7mm]	.25" [6.4mm]	21.50 [9.75]

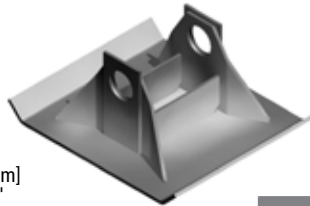
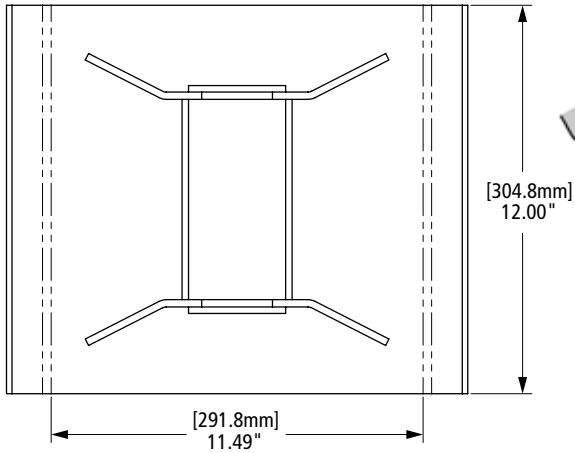
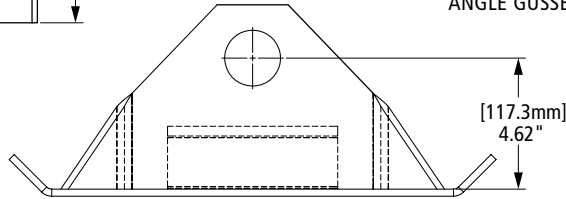
SINGLE GUSSET





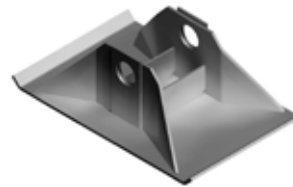
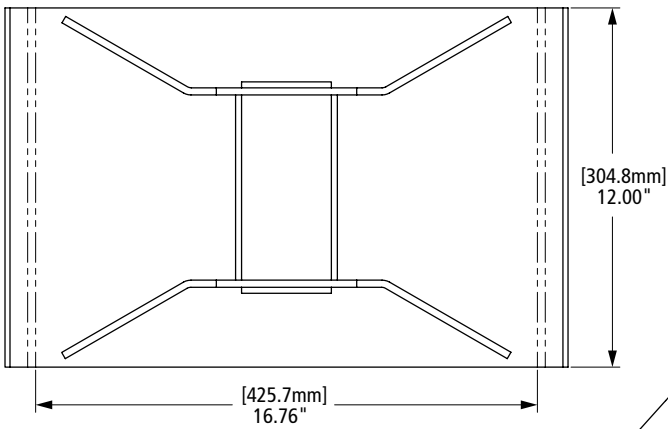
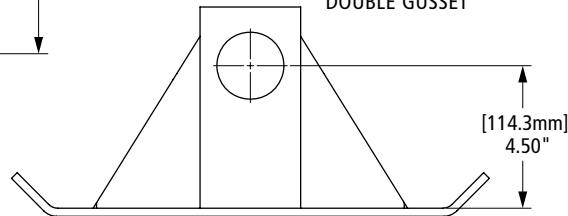
PART NO.	SIDE THICKNESS	BASE THICKNESS	WEIGHT LBS. [kg]
XA-S03010	.38" [9.7mm]	.25" [6.4mm]	29.70 [13.47]

ANGLE GUSSET



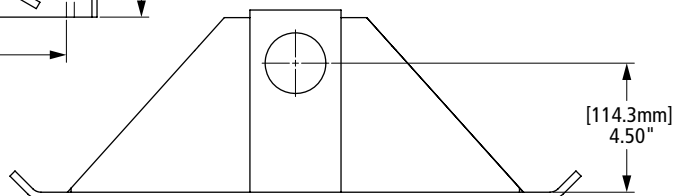
PART NO.	PATCHES	SIDE THICKNESS	BASE THICKNESS	WEIGHT LBS. [kg]
50616013	.2" [5.1mm]	.23" [5.8mm]	.24" [6.1mm]	19.70 [8.94]

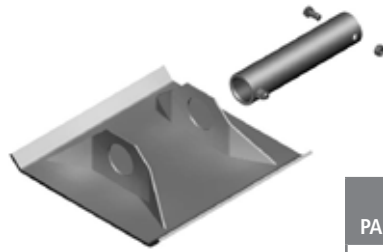
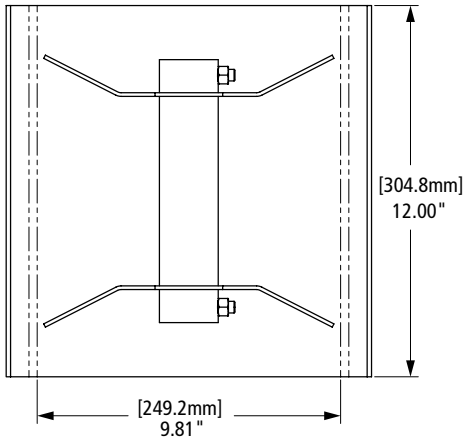
DOUBLE GUSSET



PART NO.	PATCHES	SIDE THICKNESS	BASE THICKNESS	WEIGHT LBS. [kg]
50616014	.2" [5.1mm]	.24" [6.1mm]	.24" [6.1mm]	26.90 [12.20]

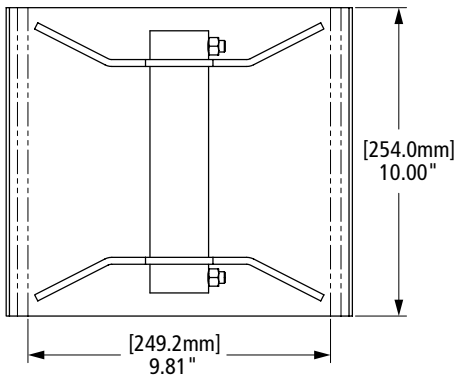
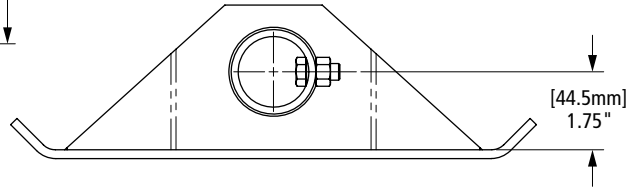
DOUBLE GUSSET





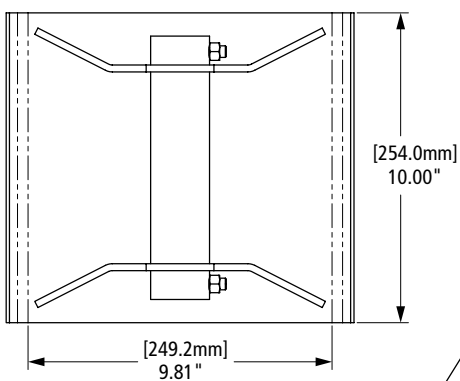
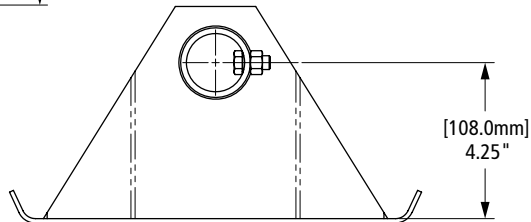
PART NO.	SIDE THICKNESS	BASE THICKNESS	WEIGHT LBS. [kg]
LG0074	.12" [3.0mm]	.2" [5.1mm]	15.50 [7.03]

NO GUSSET



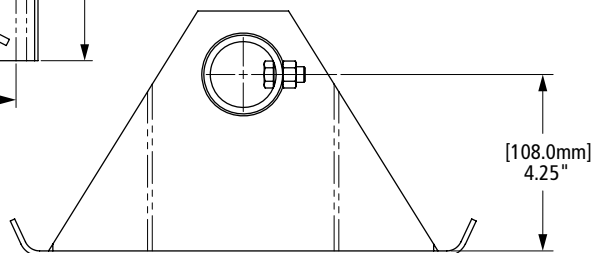
PART NO.	SIDE THICKNESS	BASE THICKNESS	WEIGHT LBS. [kg]
LG0078	.23" [5.8mm]	.12" [3.0mm]	28.60 [12.97]

SINGLE GUSSET

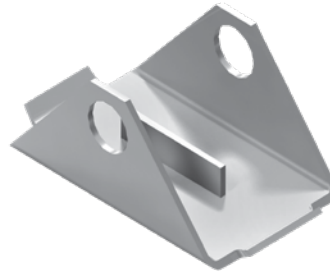
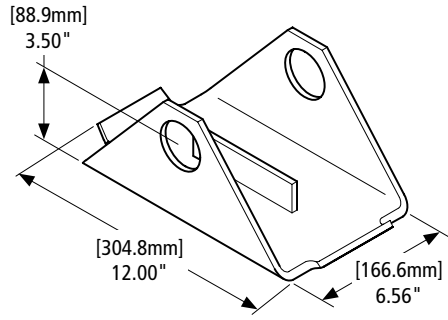


PART NO.	SIDE THICKNESS	BASE THICKNESS	WEIGHT LBS. [kg]
LG0078-01	.23" [5.8mm]	.12" [3.0mm]	14.30 [6.49]

SINGLE GUSSET

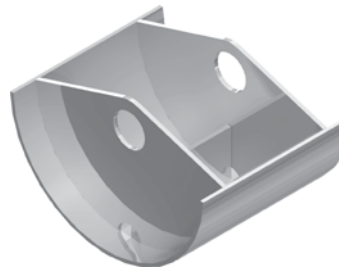
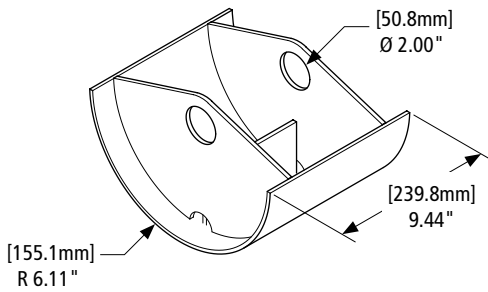


Center Shoe for Shoe/Wheel Combination



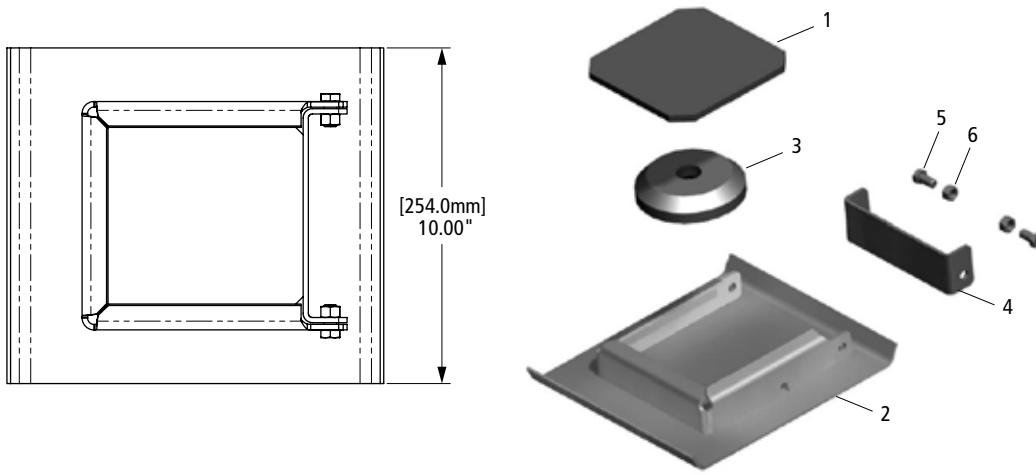
PART NO.	WEIGHT LBS. [kg]
50616017	8.90 [4.04]

Rocker Foot



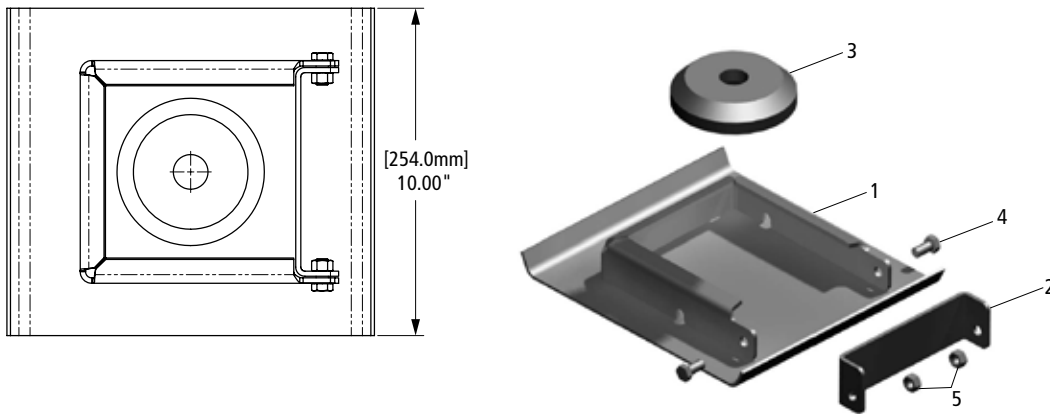
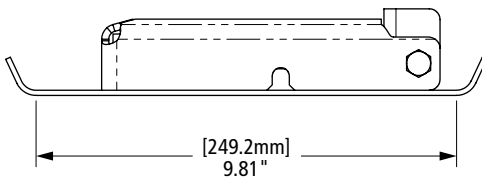
PART NO.	WEIGHT LBS. [kg]
LG0818	19.10 [8.66]

Removable Cushion Foot - Standard



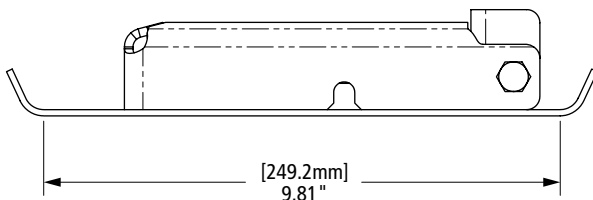
PART NO.	BASE THICKNESS	WEIGHT LBS. [kg]
716058	.12" [3.0mm]	15.70 [7.12]

NO.	DESCRIPTION	PART NO.	QTY.	WEIGHT LBS. [kg]
1	Plate, End - RCF	730637	1	3.47 [1.57]
2	Foot W/A, 10 X 10 - RCF	730640	1	7.79 [3.53]
3	Pad, Cushion Foot	728003	1	0.63 [0.29]
4	Strap, Interchangeable - RCF	730638	1	0.70 [0.32]
5	Screw, Hex Cap 3/8-16 X 3/4 GR 5 Zinc Plated Rept	XB-HHC-050-69	2	0.04 [0.02]
6	Nut, Self LKG 3/8-16 Grade B	XB-SLN-012-04	2	0.01 [0.005]

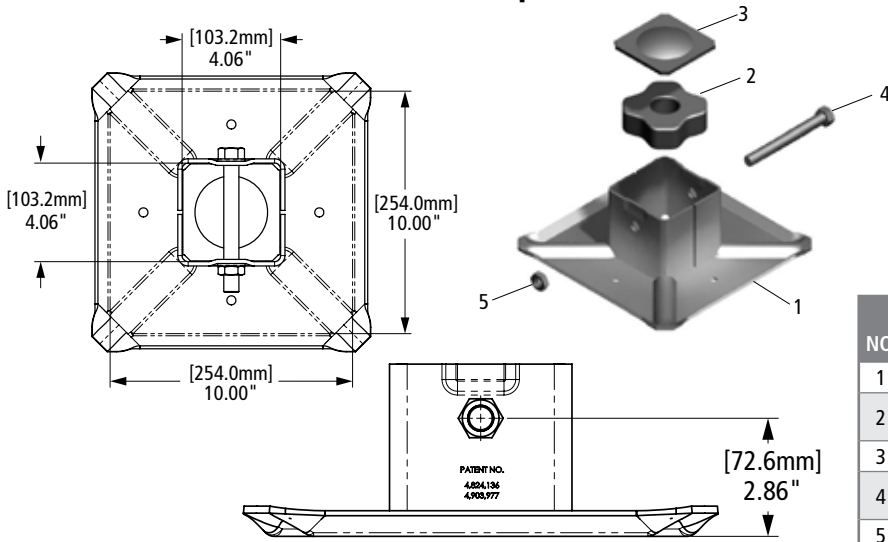


PART NO.	BASE THICKNESS	WEIGHT LBS. [kg]
716059	.12" [3.0mm]	12.20 [5.53]

NO.	DESCRIPTION	PART NO.	QTY.	WEIGHT LBS. [kg]
1	Foot W/A, 10 X 10 - RCF	730640	1	7.79 [3.53]
2	Strap, Interchangeable - RCF	730638	1	0.70 [0.32]
3	Pad, Cushion foot	728003	1	0.63 [0.29]
4	Screw, Hex Cap 3/8-16 X 3/4 GR 5 Zinc Plated REPT	XB-HHC-050-69	2	0.04 [0.02]
5	Nut, SELF LKG 3/8-16 GRADE B	XB-SLN-012-04	2	0.01 [0.005]

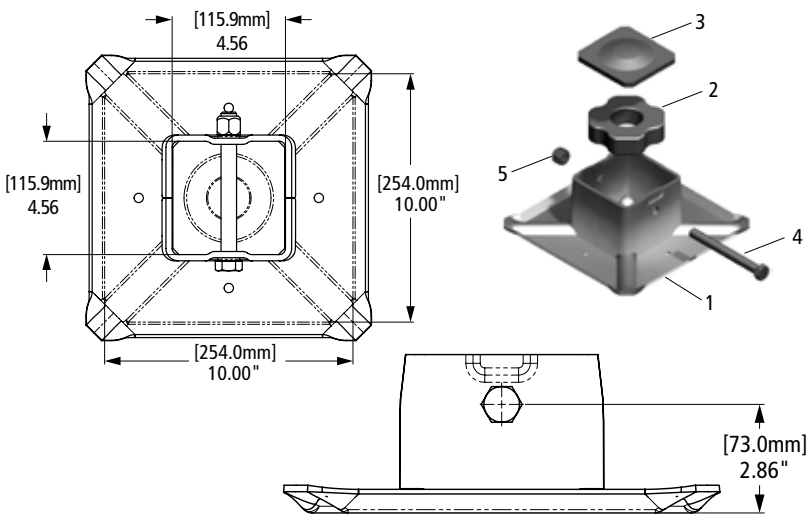


Removable Cushion Foot - Square



PART NO.	SIDE THICKNESS	BASE THICKNESS	WEIGHT LBS. [kg]
LG0048-01	.18" [4.6mm]	.17" [4.3mm]	9.70 [4.40]

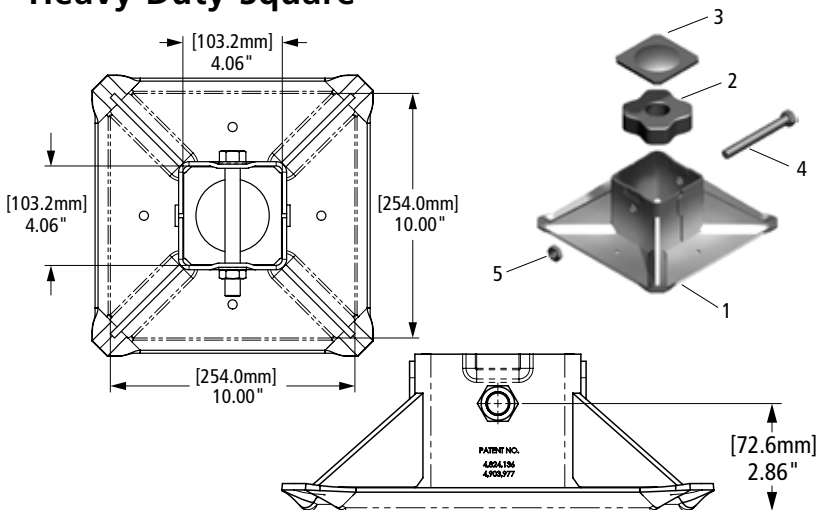
NO.	DESCRIPTION	PART NO.	QTY.	WEIGHT LBS. [kg]
1	Foot W/A, Cushion	LG0732-01	1	9.69 [4.40]
2	Cushion, Rubber - Model 51000	XB-LG0726	1	1.04 [0.47]
3	Plate, Cushion - Atlas 55	LG0725	1	1.07 [0.49]
4	Screw, Hex HD 5/8-11 X 5.500	XB-HHB-050-70	1	0.57 [0.26]
5	Nut, Prev Torque	XB-SP0012-10	1	0.07 [0.03]



PART NO.	WEIGHT LBS. [kg]	SIDE THICKNESS	BASE THICKNESS
RK-V-024	11.60 [5.26]	.25" [6.4mm]	.17" [4.3mm]

NO.	DESCRIPTION	PART NO.	QTY.	WEIGHT LBS. [kg]
1	Foot S/A, Mark V Removable Cushion	XA-V-796-RCF	1	11.59 [5.26]
2	Cushion, Rubber-50,000	XB-LG0713	1	1.22 [0.55]
3	Plate, Cushion Foot	LG1829	1	2.26 [1.03]
4	HHCS, 5/8"-11 x 6" GR. 2 Zinc Pl.	XB-HHC-050-114	1	0.60 [0.27]
5	Nut, 5/8"-11 Top Lock GR.C Zinc Pl.	XB-06179-2	1	0.09 [0.04]

Heavy Duty Square

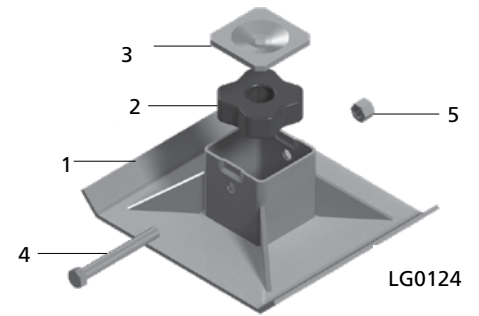


PART NO.	SIDE THICKNESS	BASE THICKNESS	WEIGHT LBS. [kg]
LG0048-10	.18" [4.6mm]	.17" [4.3mm]	11.20 [5.08]

NO.	DESCRIPTION	PART NO.	QTY.	WEIGHT LBS. [kg]
1	Cushion Foot W/A	LG0732-02	1	11.40 [5.17]
2	Cushion, Rubber	XB-LG0726	1	1.04 [0.47]
3	Plate	LG0725	1	1.07 [0.49]
4	Bolt, Hex, HD, 5/8"-11 x 5 1/2 GR2	XB-HHB-050-70	1	0.57 [0.26]
5	Nut, Self-Locking 5/8-11	XB-SP0012-10	1	0.07 [0.03]

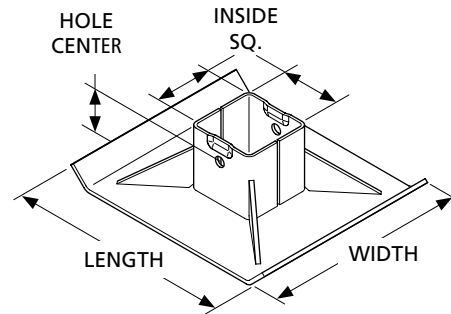
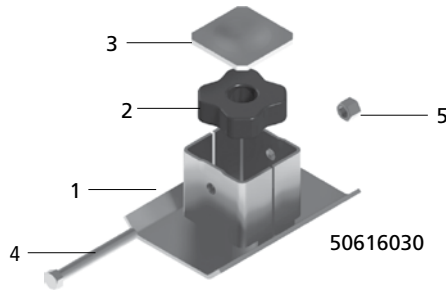
Sand Shoe Base

PART NO.	LENGTH	WIDTH	HOLE CNTR HT	INSIDE SQ	MODEL	WEIGHT LBS. [kg]
LG0124	14.25" [361.9]	12.00" [304.8]	2.94" [74.6]	4.06" [103.1]	51000/52000	16.01 [7.26]
50616030	7.00" [177.8]	10.00" [254.0]	2.94" [74.6]	4.06" [103.1]	FG4	9.10 [4.13]



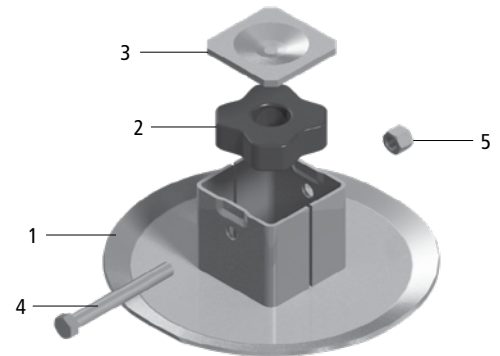
Replacement Parts (In Quantities Shown)

PART NO.	ITEM #1	ITEM #1 WEIGHT LBS. [kg]	ITEM #2	ITEM #2 WEIGHT LBS. [kg]	ITEM #3	ITEM #3 WEIGHT LBS. [kg]	ITEM #4	ITEM #4 WEIGHT LBS. [kg]	ITEM #5	ITEM #5 WEIGHT LBS. [kg]
LG0124	LG0123	18.22 [8.26]	XB-LG0726	1.04 [0.47]	LG0725	1.07 [0.49]	XB-HHB-050-70	0.57 [0.26]	XB-SP0012-10	0.07 [0.03]
50616030	LG2727	8.17 [3.75]	XB-LG0726	1.04 [0.47]	LG0725	1.07 [0.49]	XB-HHB-050-70	0.57 [0.26]	XB-SP0012-10	0.07 [0.03]



Round Foot

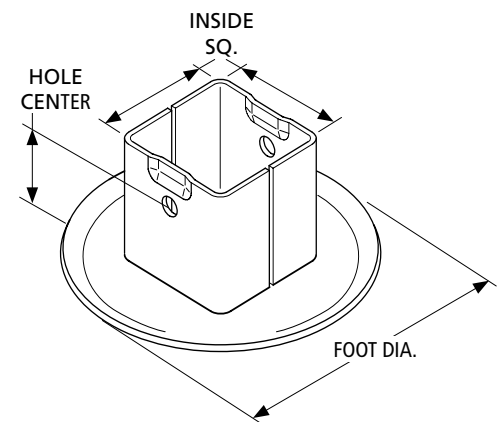
PART NO.	FOOT DIA	INSIDE SQ	HOLE CNTR HT	MODEL	WEIGHT LBS. [kg]
LG0068	9.81" [249.2]	4.56" [115.8]	2.94" [74.7]	50000	7.80 [3.54]
LG0045-01	9.81" [249.2]	4.06" [103.1]	2.94" [74.7]	51000/52000	7.40 [3.36]
LG0043-01	11.88" [301.8]	4.06" [103.1]	2.94" [74.7]	51000/52000	9.40 [4.26]
LG0044-01	13.38" [339.9]	4.06" [103.1]	2.94" [74.7]	51000/52000	13.20 [6.00]

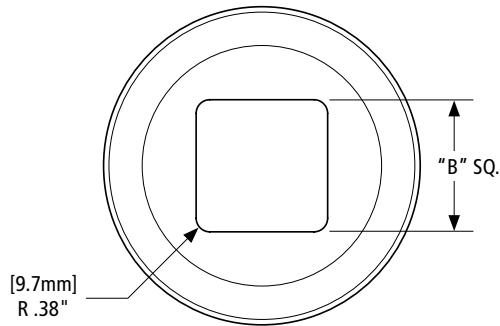


Replacement Parts (In Quantities Shown)

PART NO.	ITEM #1	ITEM #1 WEIGHT LBS. [kg]	ITEM #2	ITEM #2 WEIGHT LBS. [kg]	ITEM #3	ITEM #3 WEIGHT LBS. [kg]
LG0068	LG0711	7.80 [3.54]	XB-LG0713	1.22 [0.55]	LG0714	1.77 [0.80]
LG0045-01	LG0718-01	7.39 [3.35]	XB-LG0726	1.04 [0.47]	LG0725	1.07 [0.49]
LG0043-01	LG0740-01	9.39 [4.26]	XB-LG0726	1.04 [0.47]	LG0725	1.07 [0.49]
LG0044-01	LG0730-01	11.10 [5.03]	XB-LG0726	1.04 [0.47]	LG0725	1.07 [0.49]

PART NO.	ITEM #4	ITEM #4 WEIGHT LBS. [kg]	ITEM #5	ITEM #5 WEIGHT LBS. [kg]
LG0068	XB-HHB-050-58	0.61 [0.28]	XB-SP0012-10	0.07 [0.03]
LG0045-01	XB-HHB-050-70	0.57 [0.26]	XB-SP0012-10	0.07 [0.03]
LG0043-01	XB-HHB-050-70	0.57 [0.26]	XB-SP0012-10	0.07 [0.03]
LG0044-01	XB-HHB-050-70	0.57 [0.26]	XB-SP0012-10	0.07 [0.03]





Ø10" Cushion Foot Replacement Parts

NO.	DESCRIPTION	PART NO.	QTY.	WEIGHT LBS. [kg]
1	Rubber Cushion	XB-LG0472	1	1.69 [0.77]
2	Cushion Cup	SEE CHART	1	SEE CHART
3	Cushion Pad	LG0573	1	4.23 [1.92]
4*	Cushion Plate	LG0474	1	2.71 [1.23]

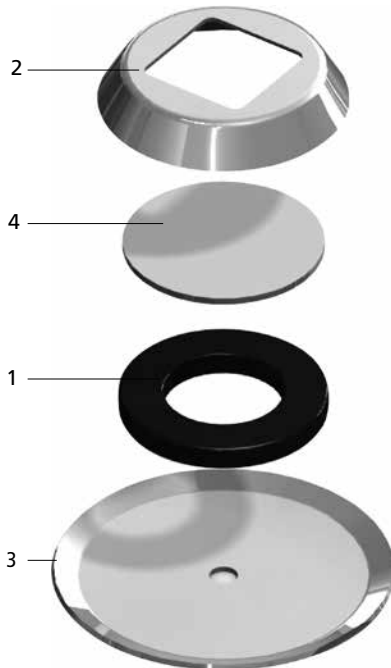
Ø12" Cushion Foot Replacement Parts

NO.	DESCRIPTION	PART NO.	QTY.	WEIGHT LBS. [kg]
1	Rubber Cushion	XB-LG0472	1	1.69 [0.77]
2	Cushion Cup	SEE CHART	1	SEE CHART
3	Cushion Pad	LG0527	1	6.23 [2.83]
4*	Cushion Plate	LG0474	1	2.71 [1.23]

Ø13-1/2" Cushion Foot Replacement Parts

NO.	DESCRIPTION	PART NO.	QTY.	WEIGHT LBS. [kg]
1	Rubber Cushion	XB-LG0472	1	1.69 [0.77]
2	Cushion Cup	SEE CHART	1	SEE CHART
3	Cushion Pad	LG0473	1	7.89 [3.58]
4*	Cushion Plate	LG0474	1	2.71 [1.23]

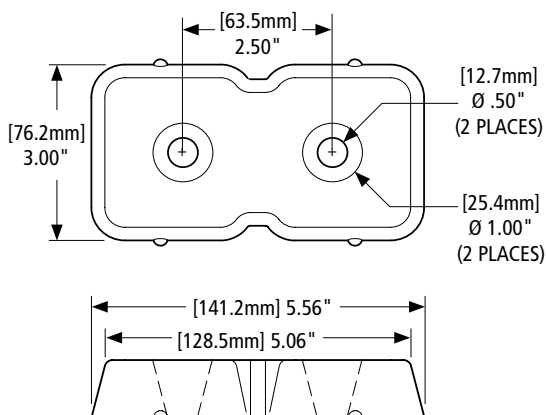
* Item 4 is welded to the bottom of Retract Tube.



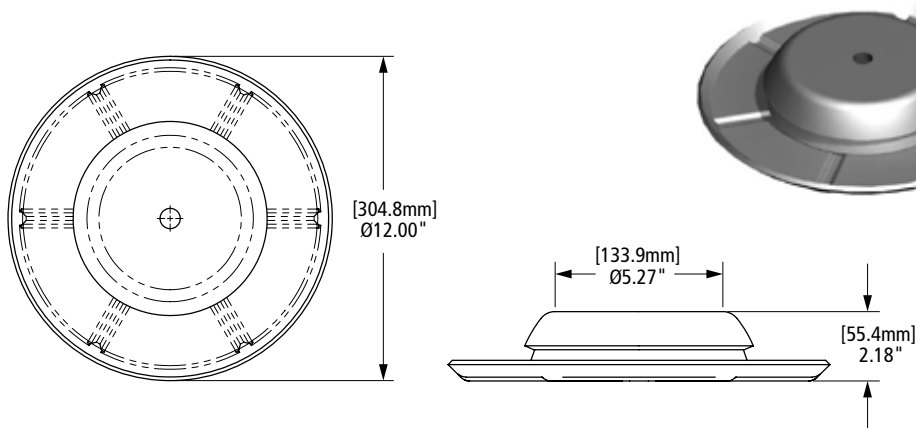
Cushion Cup Chart

PART NO.	DIM "B" SQ.	WEIGHT LBS. [kg]
LG0475	4.63" [117.6]	2.71 [1.23]
LG0475-01	4.13" [104.9]	2.92 [1.32]
LG0475-03	3.63" [92.2]	3.10 [1.41]

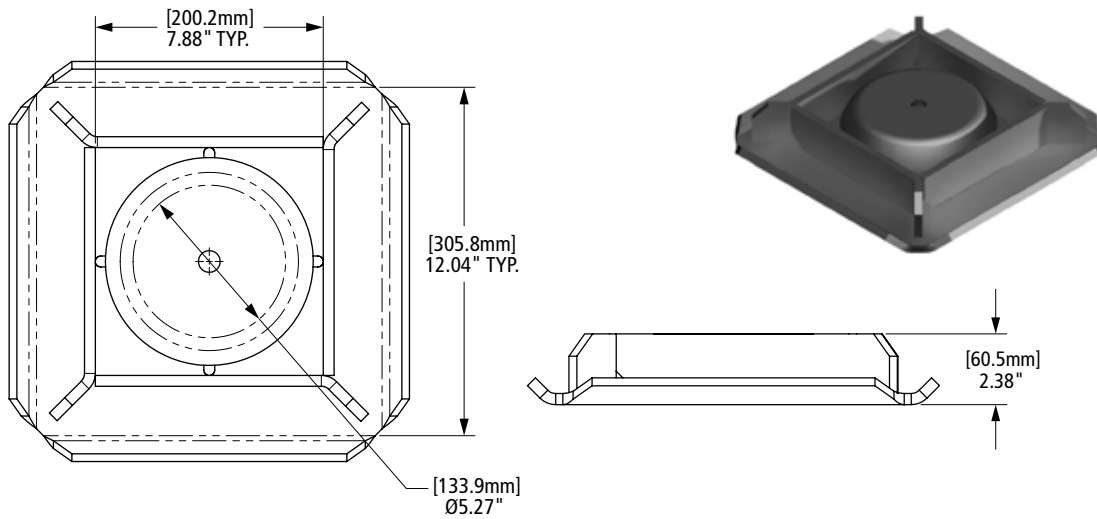
Cushion Pad



PART NO.	WEIGHT LBS. [kg]
XB-04676	0.59 [0.27]

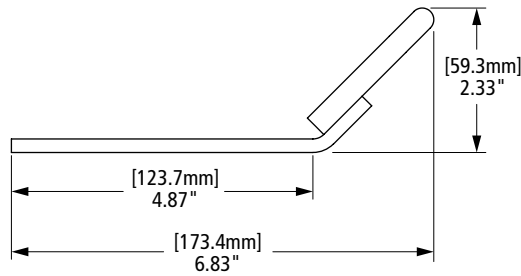
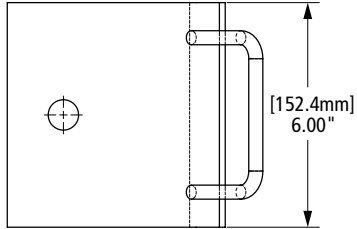


PART NO.	BASE THICKNESS	WEIGHT LBS. [kg]
50616018	.19" [4.8mm]	13.70 [6.21]



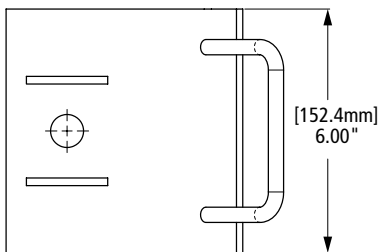
PART NO.	SIDE THICKNESS	BASE THICKNESS	WEIGHT LBS. [kg]
50616019	.38" [9.7mm]	.38" [9.7mm]	35.20 [15.97]

Dolly Jack Shoes
Standard

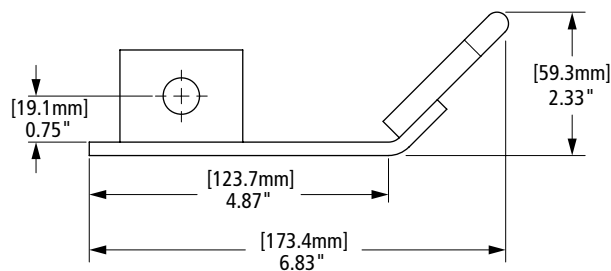


PART NO.	BASE THICKNESS	WEIGHT LBS. [kg]
50616020	.22" [5.6mm]	2.40 [1.09]

Removable



PART NO.	SIDE THICKNESS	BASE THICKNESS	WEIGHT LBS. [kg]
50616021	.19" [4.8mm]	.22" [5.6mm]	2.80 [1.27]



FRONT_{TO}BACK

SAF-HOLLAND ORIGINAL PARTS



HOLLAND has been the go-to brand for pintle hooks, drawbars and couplers for over 70 years. Be sure your coupling connection is reliable and safe...always spec HOLLAND.

Holland

COUPLING PRODUCTS

PINTLE HOOKS & DRAWBARS



PH-410



PH-10RP41



PH-30SA41



PH-30RP41



DB-610-30



DB-1249-49



DB-1245



DB-060FQ1

safholland.us
Call 800.876.3929

SAF-Holland

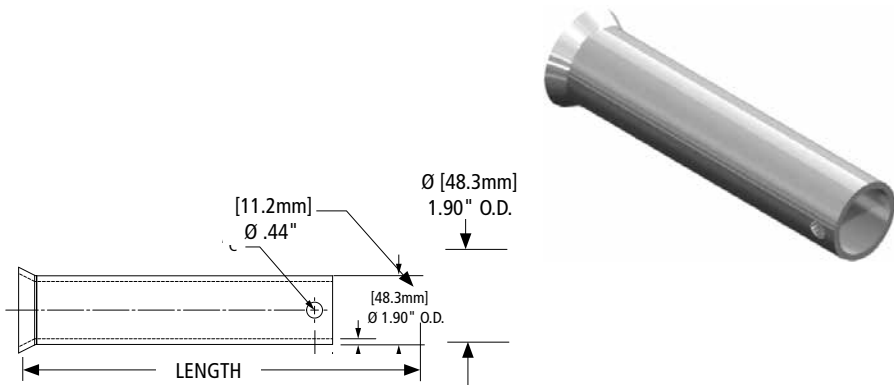
ORIGINAL PARTS™

SAF ● **Holland** **NEWAY**

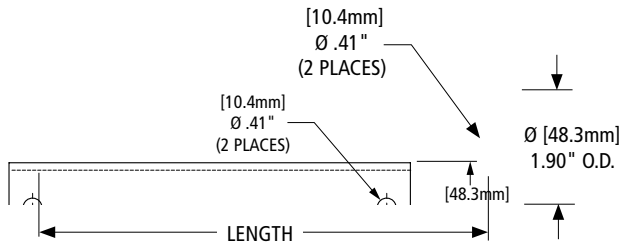
safholland.com
Canada 519.537.3494
Mexico 52.55.5816.2230

ORIGINAL SERVICE PARTS TO KEEP YOU ROLLING

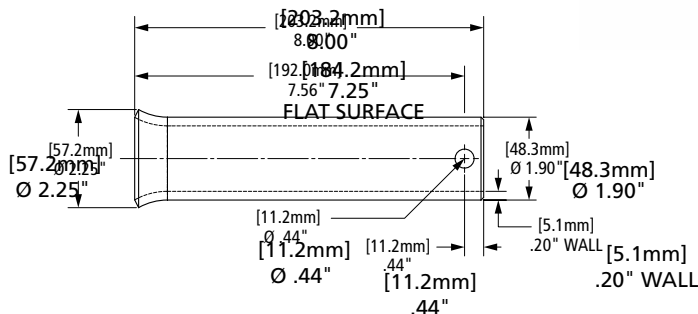
Hollow Axles



PART NO.	LENGTH [mm]	WEIGHT LBS. [kg]
750005	8.69" [220.7]	1.25 [0.57]
LG0070-01	15.12" [384.0]	6.14 [2.79]

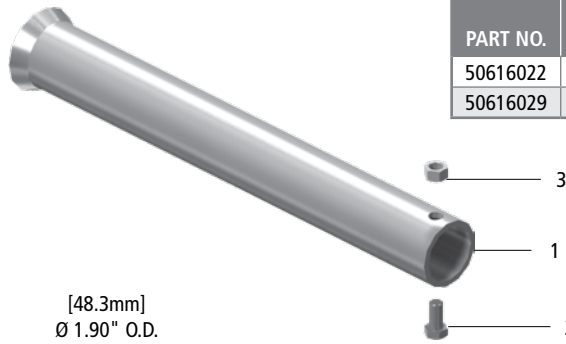


PART NO.	LENGTH [mm]	WEIGHT LBS. [kg]
LG2589	8.50" [215.9]	2.05 [0.93]
XA-V-1901-2	15.00" [381.0]	4.53 [2.05]
XA-V-1901-3	16.75" [425.5]	5.10 [2.31]

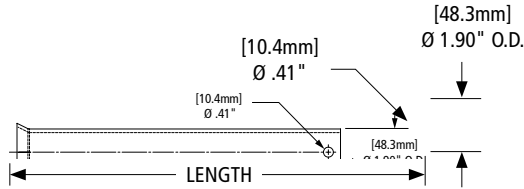


PART NO.	WEIGHT LBS. [kg]
50616042	2.60 [1.18]

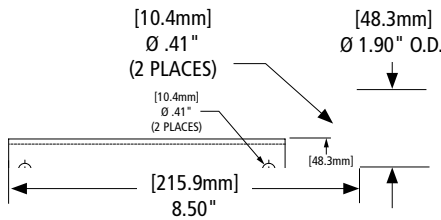
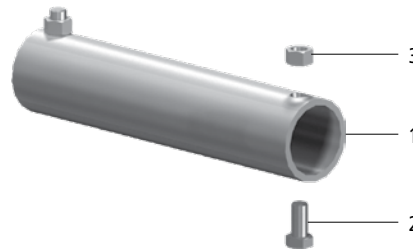
Hollow Axle Kits



PART NO.	LENGTH [mm]	ITEM NO. 1	ITEM NO. 1 WEIGHT LBS [kg]	WEIGHT LBS [kg]
50616022	15.12" [384.0]	LG0070-01	6.14 [2.79]	6.10 [2.77]
50616029	8.75" [222.3]	LG0070-04	3.57 [1.62]	3.60 [1.63]

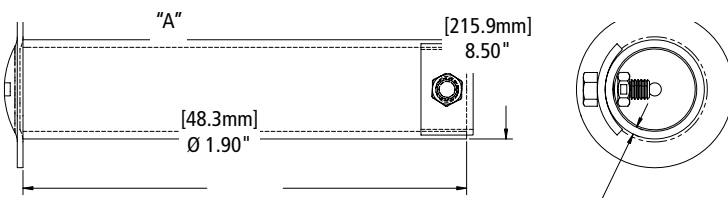


NO.	DESCRIPTION	PART NO.	QTY.	WEIGHT LBS [kg]
1	Axle Assembly	SEE TABLE	1	SEE TABLE
2	Hex Cap Screw .38"-16 x .75" GR5	XB-HHC-050-69	1	0.04 [0.02]
3	Self Locking Nut .38"-16	XB-SLN-012-04	1	0.01 [0.005]



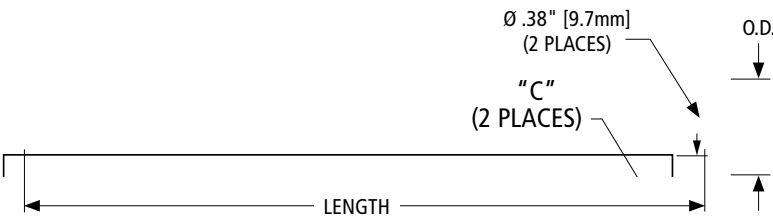
PART NO.	WEIGHT LBS [kg]
50616023	3.40 [1.54]

NO.	DESCRIPTION	PART NO.	QTY.	WEIGHT LBS [kg]
1	Axle Assembly	LG0070-02	1	1.14 [0.52]
2	Hex Cap Screw .38"-16 x .75" GR5	XB-HHC-050-69	1	0.04 [0.02]
3	Self Locking Nut .38"-16	XB-SLN-012-04	1	0.01 [0.005]



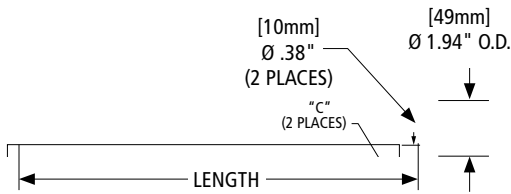
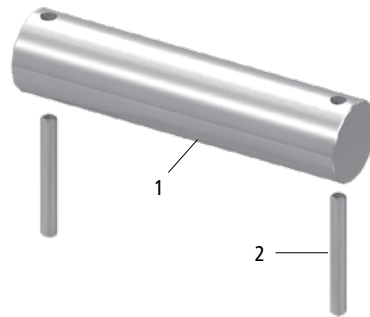
PART NO.	"A" [mm]	WEIGHT LBS [kg]
50616040	.20" [5.1]	2.30 [1.04]
50616043	.15" [3.8]	2.20 [1.00]
50616044	.28" [7.1]	3.69 [1.67]

Solid Axles



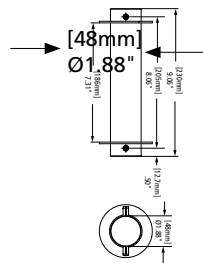
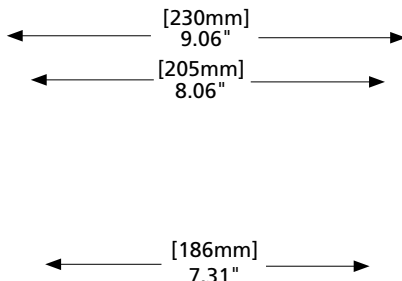
PART NO.	LENGTH [mm]	O.D. [mm]	WEIGHT LBS [kg]
XA-V-1903-1	8.25" [209.5]	1.94" [49.3]	6.80 [3.08]
XA-V-1903-2	15.00" [381.0]	1.94" [49.3]	12.44 [5.64]
XA-V-1903-3	16.75" [425.5]	1.94" [49.3]	13.90 [6.30]
LG0204-01	14.88" [378.0]	1.88" [47.8]	11.50 [5.22]
LG0204-04	8.25" [209.6]	1.88" [47.8]	6.30 [2.86]
LG0204-05	16.00" [406.4]	1.88" [47.8]	12.31 [5.58]
LG0204-06	16.50" [419.1]	1.88" [47.6]	12.72 [5.77]
LG0204-07	8.75" [222.2]	1.88" [47.6]	6.67 [3.03]
LG0204-08	8.75" [222.2]	1.88" [47.6]	6.69 [3.04]

Solid Axle Kits

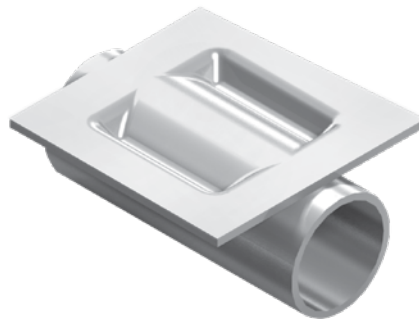
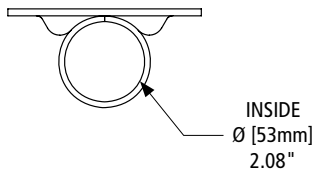
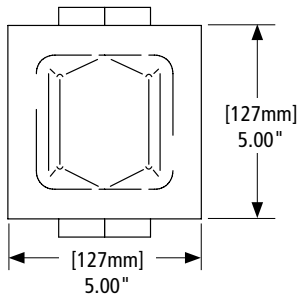


PART NO.	LENGTH [mm]	ITEM NO. 1	ITEM NO. 1 WEIGHT LBS [kg]	WEIGHT LBS [kg]
50616024	8.25" [209.6]	XA-V-1903-1	6.79 [3.08]	6.80 [3.08]
50616025	15.00" [381.0]	XA-V-1903-2	12.44 [5.64]	12.40 [5.62]
50616026	16.75" [425.5]	XA-V-1903-3	13.90 [6.30]	13.90 [6.30]

NO.	DESCRIPTION	PART NO.	QTY.	WEIGHT LBS [kg]
1	Solid Axle	SEE TABLE ABOVE	1	SEE TABLE ABOVE
2	Spring Pin	XB-21-S-375-3000	2	0.02 [0.01]

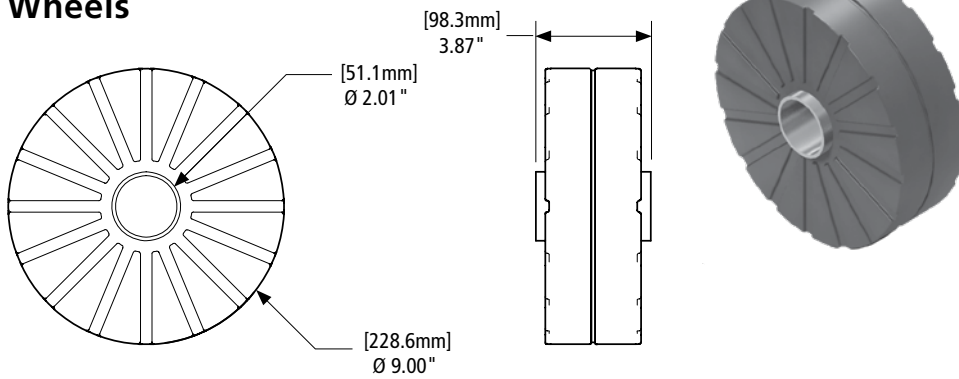


PART NO.	WEIGHT LBS [kg]
50616041	7.42 [3.37]

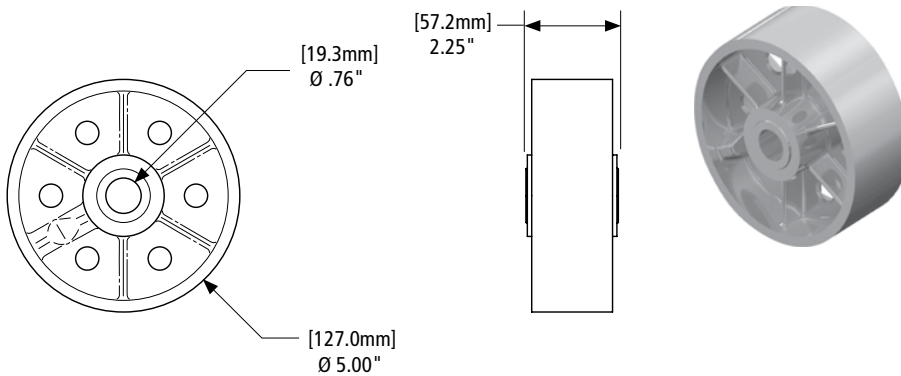


PART NO.	WEIGHT LBS [kg]
50616027	3.10 [1.41]

Wheels

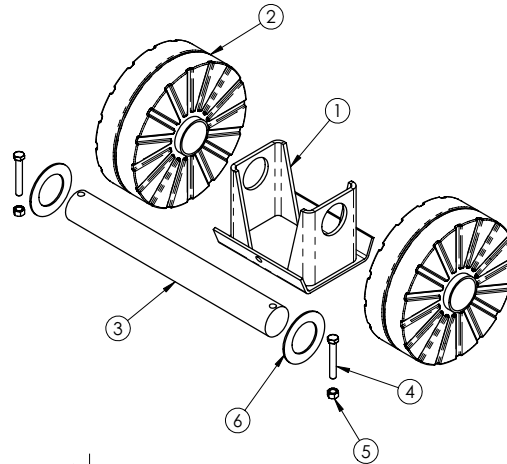


PART NO.	WEIGHT LBS [kg]
50616028	9.20 [4.17]

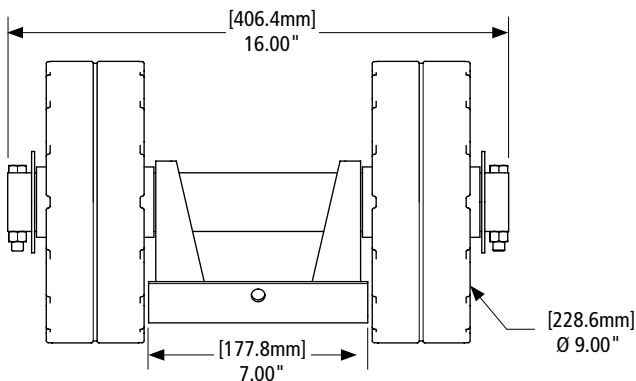


PART NO.	WEIGHT LBS [kg]
XB-WHL-026-11	4.40 [2.00]

Heavy Duty Wheel/Shoe Combination



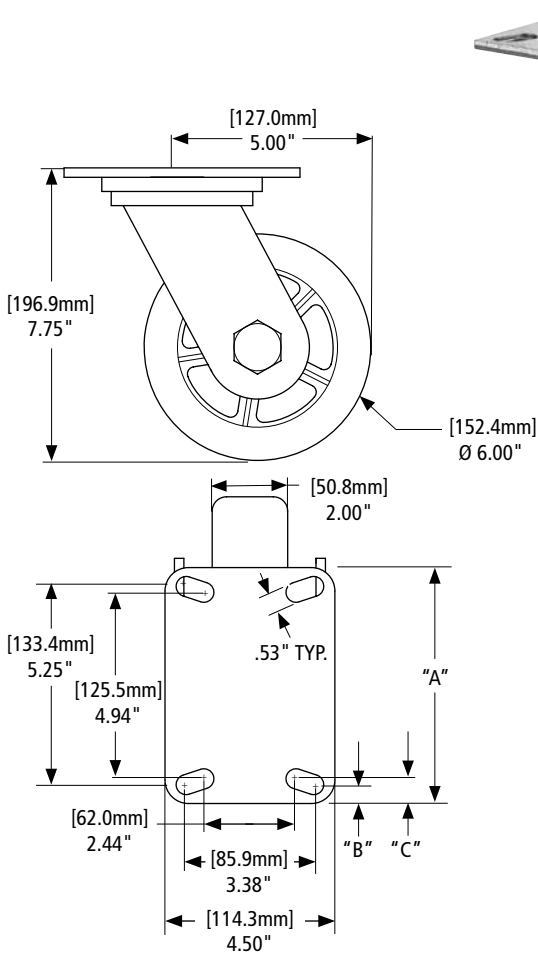
PART NO.	WEIGHT LBS [kg]
LG0063-10	36.50 [16.56]



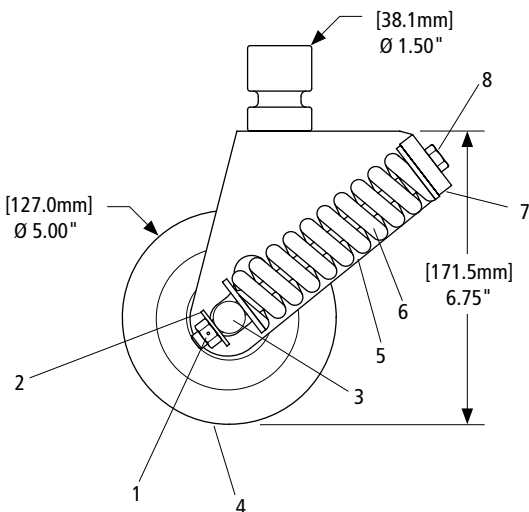
Replacement Parts

NO.	DESCRIPTION	PART NO.	QTY.	WEIGHT LBS [kg]
1	Shoe Center Assembly	LG2066	1	5.90 [2.68]
2	Wheel	XB-V-747-HD-1	2	8.96 [4.06]
3	Axle	LG0204-05	1	12.31 [5.58]
4	HHCS .38"-16 x 2.5" GR5	XB-HHC-050-65	2	0.08 [0.04]
5	Self Locking Nut .38"-16 Grade B	XB-SLN-012-04	2	0.01 [0.005]
6	Washer	LG2427	2	0.16 [0.07]

Swivel Casters



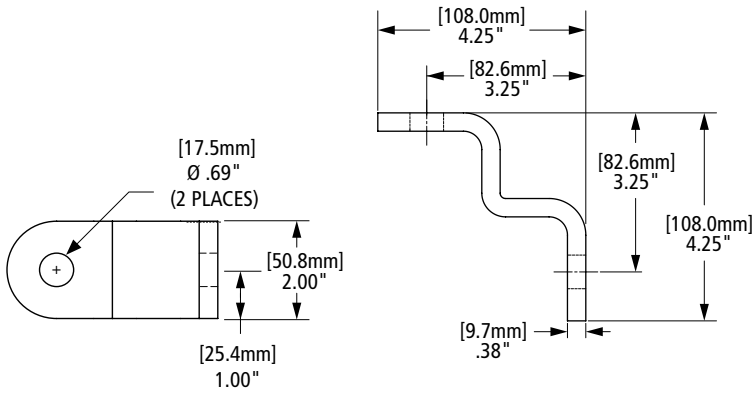
PART NO.	LOAD CAPACITY IN LBS. [kg]	NOTES	DIM "A" [mm]	DIM "B" [mm]	DIM "C" [mm]	WEIGHT LBS. [kg]
XB-03857	1200 [544.31]	Iron Wheel	6.50" [165]	.63" [16]	.28" [7]	9.00 [4.08]
XB-03695	800 [362.87]	Rubber Wheel	6.25" [159]	.50" [13]	.66" [17]	8.17 [3.71]



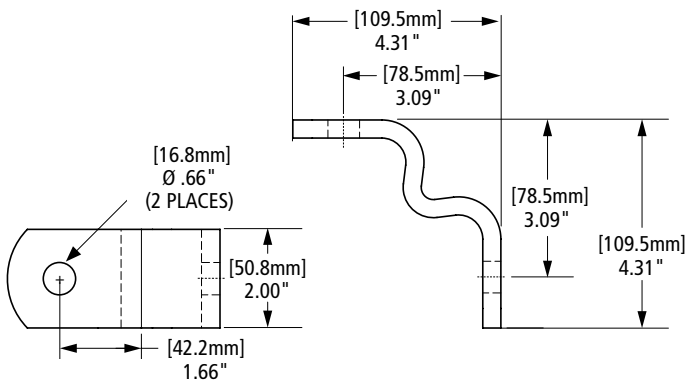
PART NO.	ITEM NO. 2	ITEM NO. 2 WEIGHT LBS. [kg]	ITEM NO. 4	ITEM NO. 4 WEIGHT LBS. [kg]	NOTES	WEIGHT LBS. [kg]
XA-V-350	XB-PW-016-03	0.01 [0.005]	XB-WHL-026-11	4.12 [1.87]	Cast Iron Wheel	13.43 [6.09]
XA-V-350-R	XB-1108	0.02 [0.01]	XB-V-315-1	1.04 [0.47]	Plastic Wheel	4.38 [1.99]

Replacement Parts

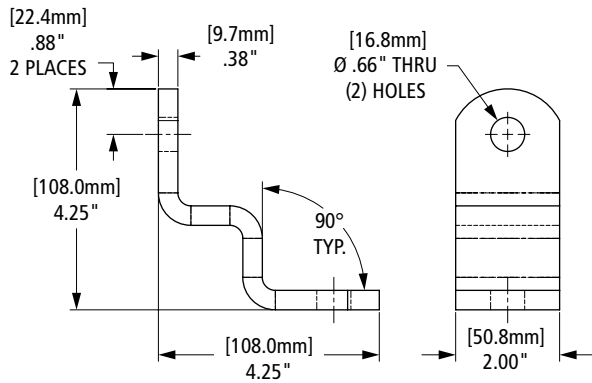
NO.	DESCRIPTION	PART NO.	QTY.	WEIGHT LBS. [kg]
1	Lock Nut .38"-16	XB-SLN-012-04	2	0.01 [0.005]
2	Washer .38"	SEE TABLE ABOVE	2	SEE TABLE ABOVE
3	Axle	XA-V-349	1	0.75 [0.34]
4	Wheel	SEE TABLE ABOVE	1	SEE TABLE ABOVE
5	Fork Assembly	XA-V-319	1	0.01 [0.005]
6	Spring	XB-248-A	2	1.14 [0.52]
7	Spring Plug	XA-V-346	4	0.08 [0.04]
8	HHCS .38"-16 x 7" Lg.	XB-V-348	2	0.30 [0.14]



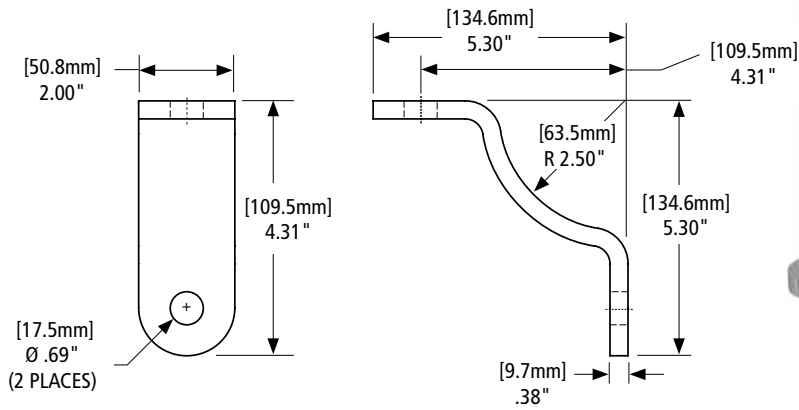
PART NO.	WEIGHT LBS [kg]
730157	1.42 [0.64]



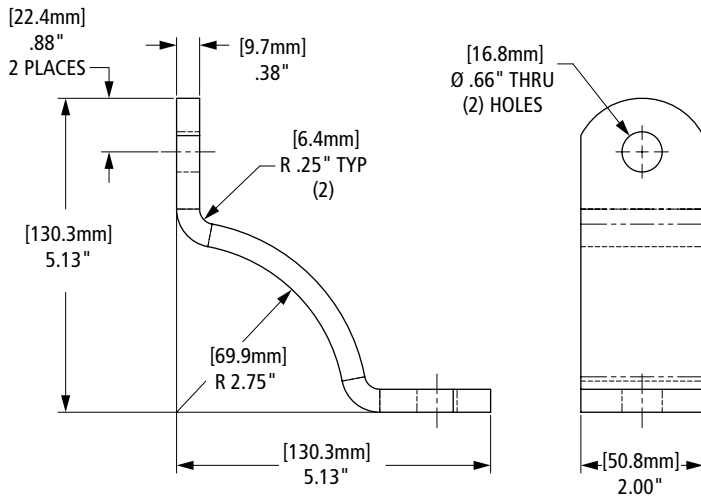
PART NO.	WEIGHT LBS [kg]
LG0266	1.48 [0.67]



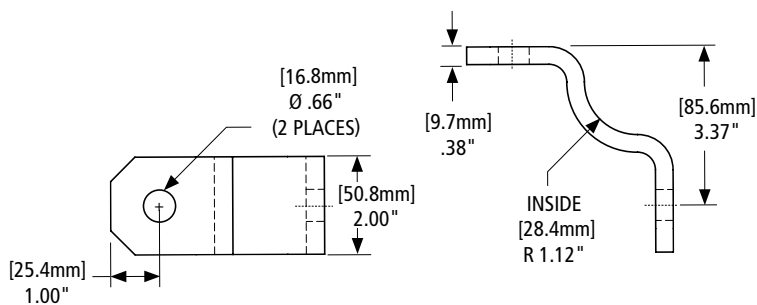
PART NO.	WEIGHT LBS [kg]
50618018	1.50 [0.68]



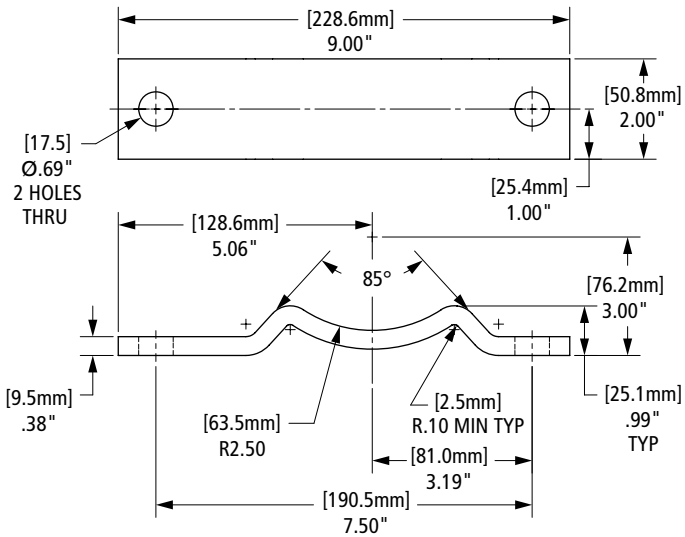
PART NO.	WEIGHT LBS [kg]
730005	1.67 [0.76]



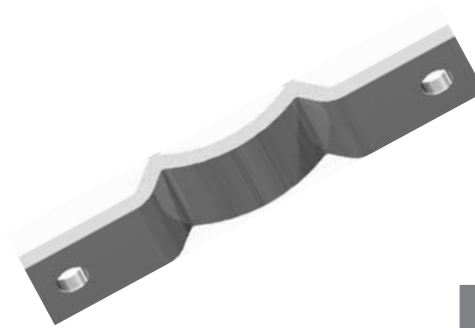
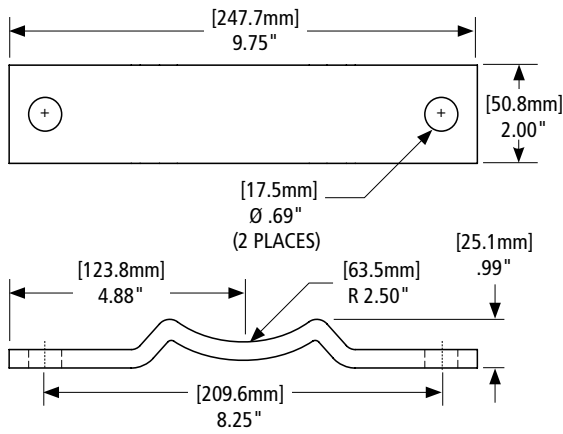
PART NO.	WEIGHT LBS [kg]
50618020	1.80 [0.82]



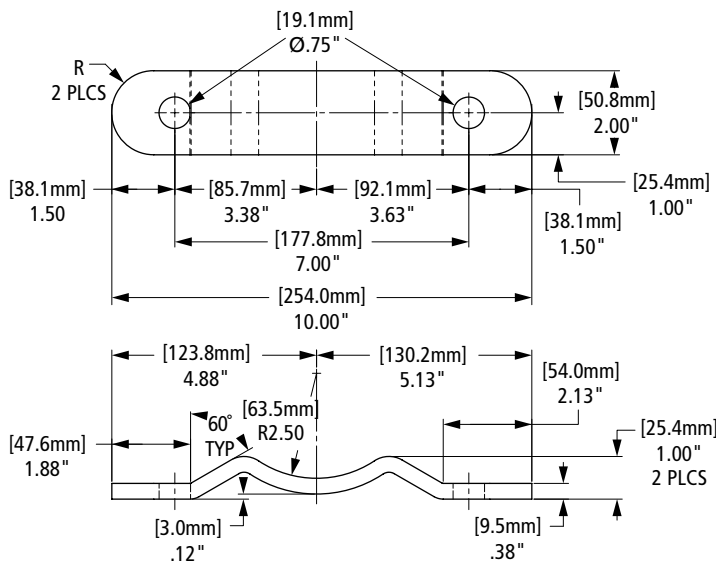
PART NO.	WEIGHT LBS [kg]
XA-V-1938	1.47 [0.67]



PART NO.	WEIGHT LBS [kg]
730052	1.96 [0.89]

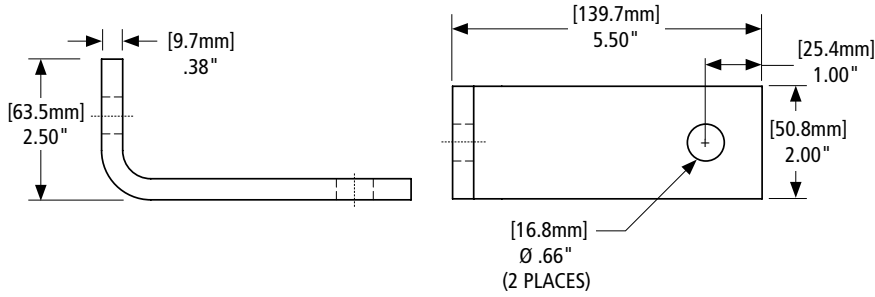


PART NO.	WEIGHT LBS [kg]
730051	2.12 [0.96]

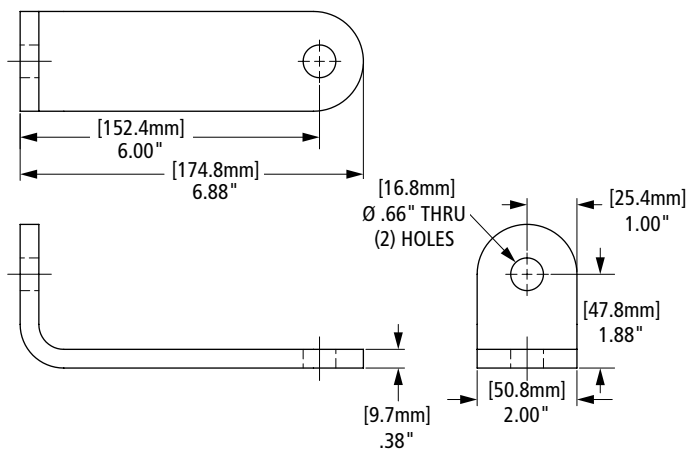


PART NO.	WEIGHT LBS [kg]
50618047	2.00 [0.90]

SUB FOR PENZ 02-32

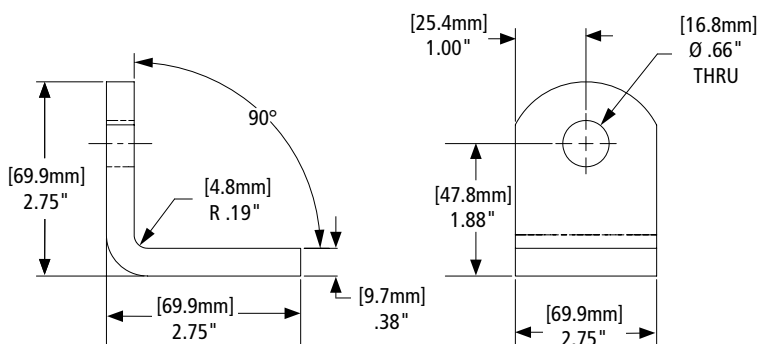


PART NO.	WEIGHT LBS [kg]
LG2334	1.53 [0.69]

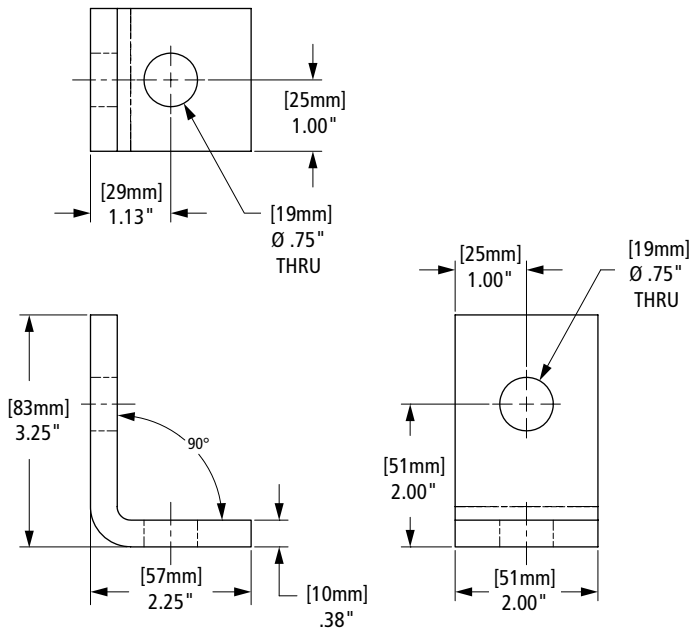


PART NO.	WEIGHT LBS [kg]
50618021	1.65 [0.75]

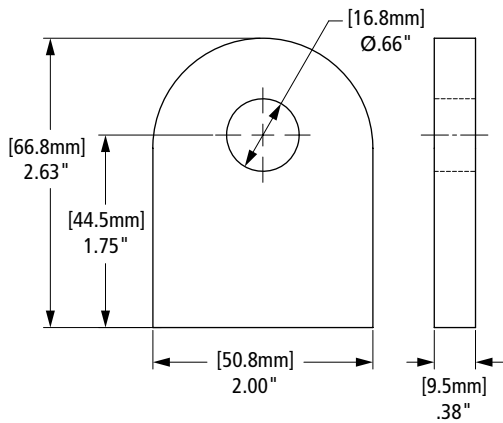
SUB FOR: PENZ# 02-11-A



PART NO.	WEIGHT LBS [kg]
50618023	1.00 [0.45]

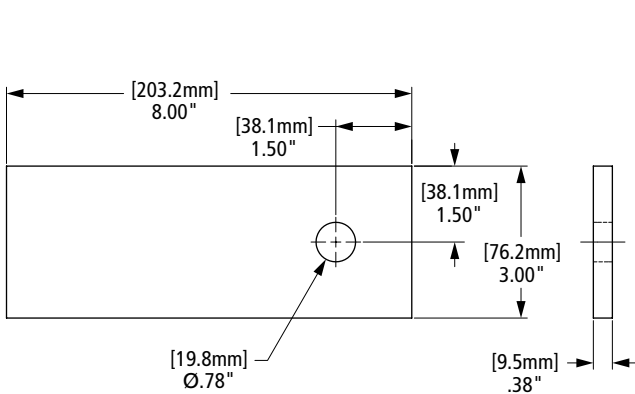


PART NO.	WEIGHT LBS [kg]
50618024	1.00 [0.45]



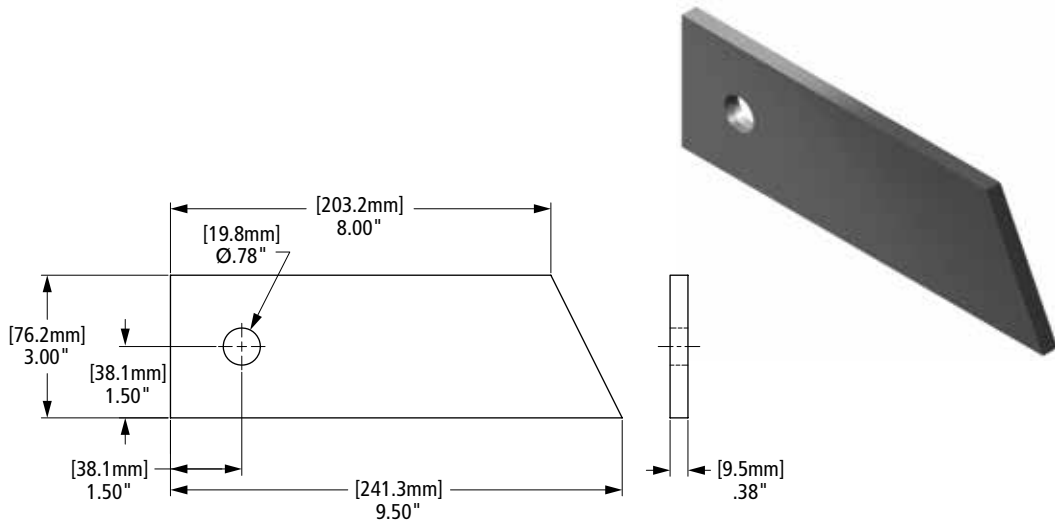
PART NO.	WEIGHT LBS [kg]
50618039	0.44 [0.20]

SUB FOR PENZ 02-10-A



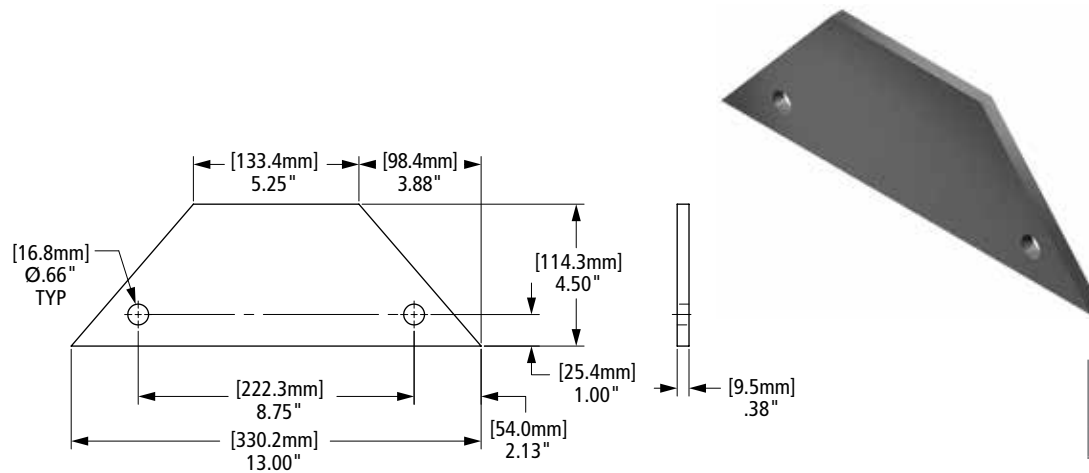
PART NO.	WEIGHT LBS [kg]
50618041	2.50 [1.33]

SUB FOR PENZ 02-44



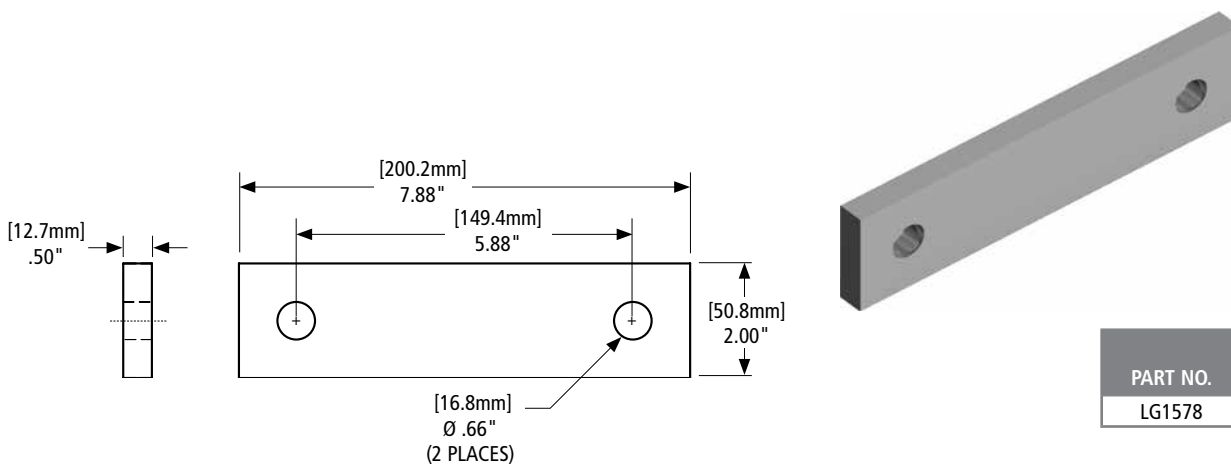
PART NO.	WEIGHT LBS [kg]
50618042	2.68 [1.22]

SUB FOR PENZ 02-45

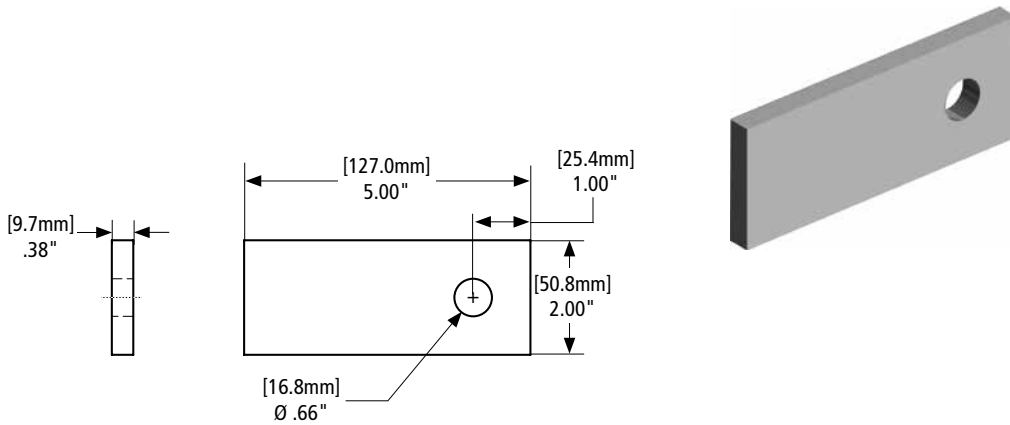


PART NO.	WEIGHT LBS [kg]
50618043	4.17 [1.89]

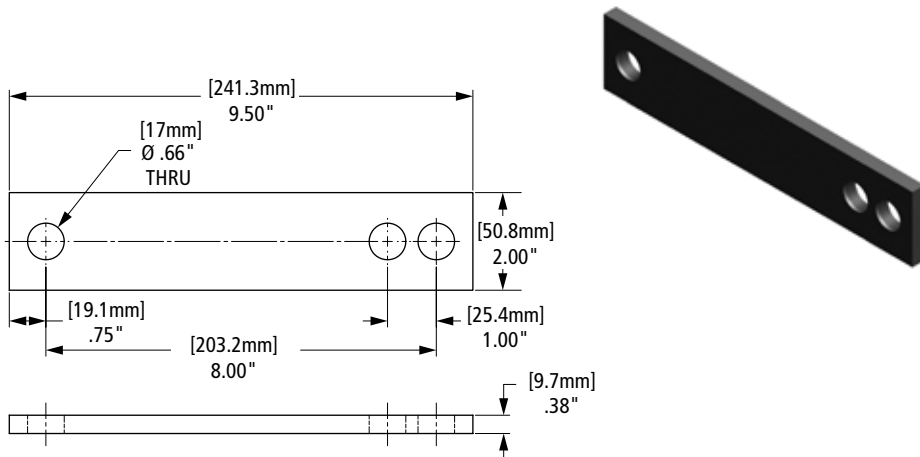
SUB FOR PENZ 02-46



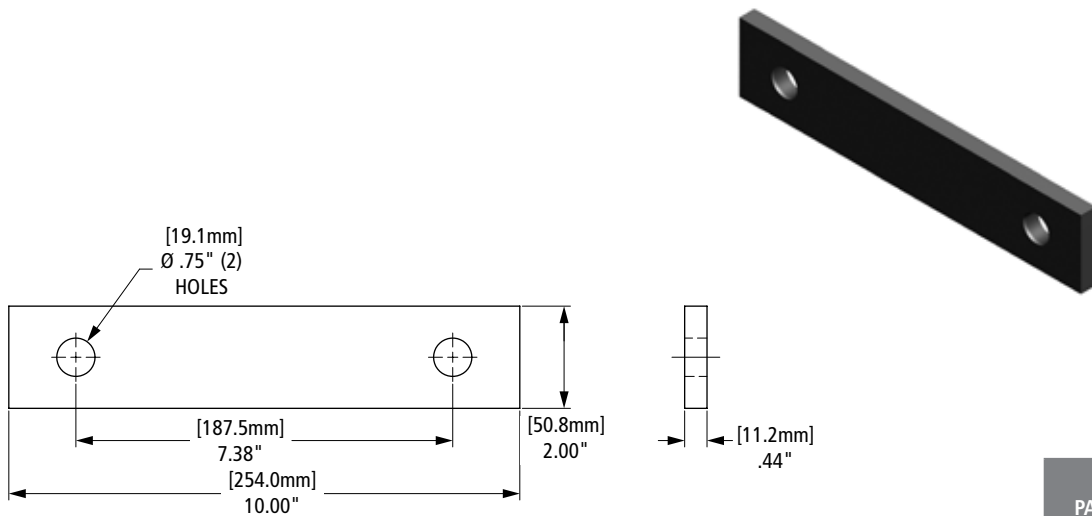
PART NO.	WEIGHT LBS [kg]
LG1578	2.15 [0.98]



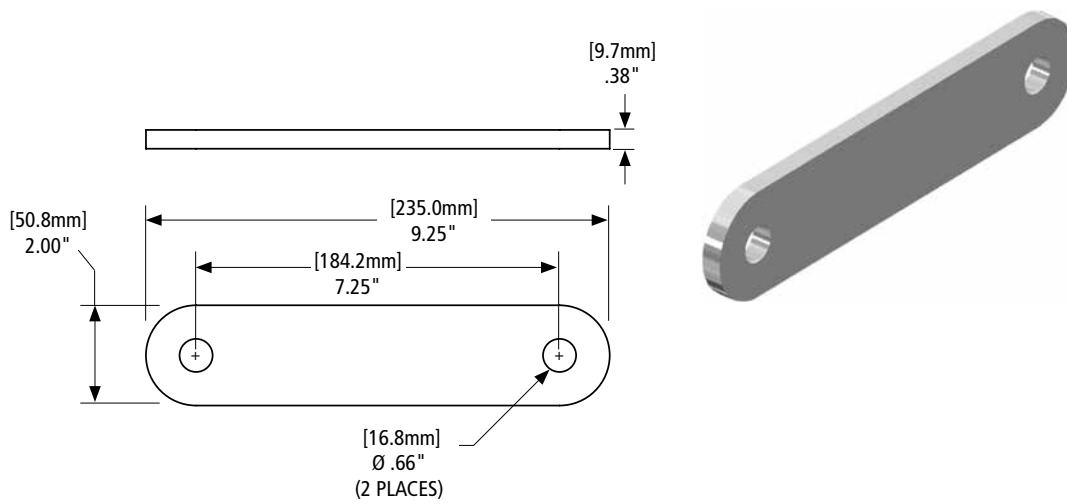
PART NO.	WEIGHT LBS [kg]
LG2536	1.02 [0.46]



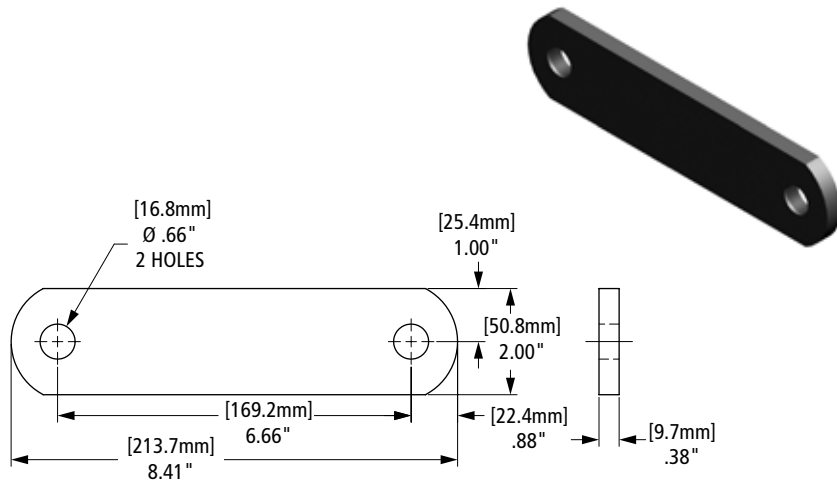
PART NO.	WEIGHT LBS [kg]
50618025	1.80 [0.82]



PART NO.	WEIGHT LBS [kg]
50618028	2.65 [1.20]

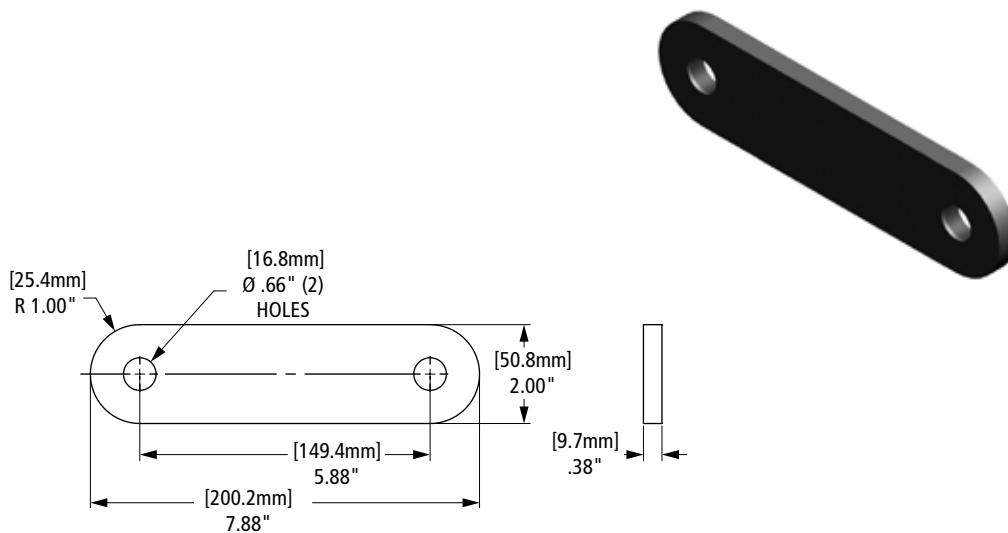


PART NO.	WEIGHT LBS [kg]
730624	1.81 [0.82]



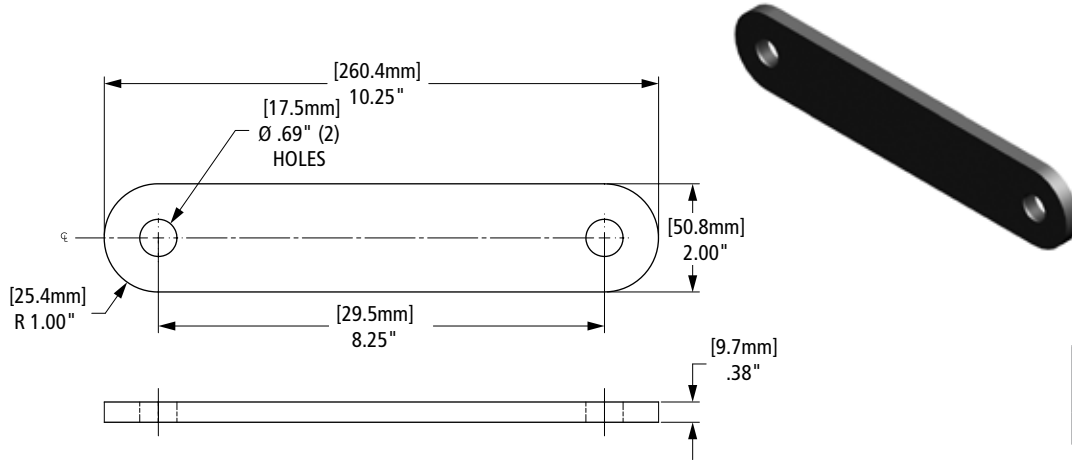
PART NO.	WEIGHT LBS [kg]
50618022	1.63 [0.74]

SUB FOR PENZ# 02-12-A

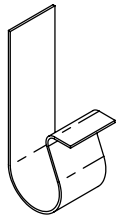
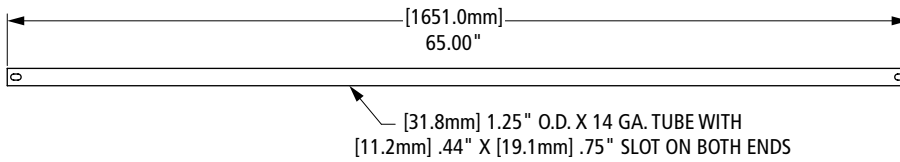


PART NO.	WEIGHT LBS [kg]
50618026	1.38 [0.63]

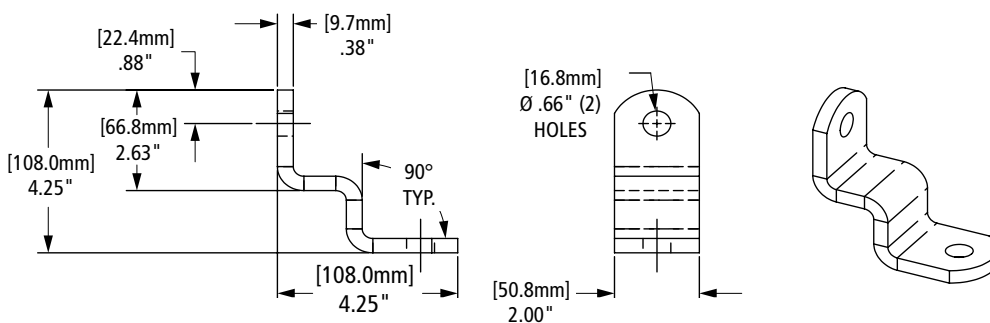
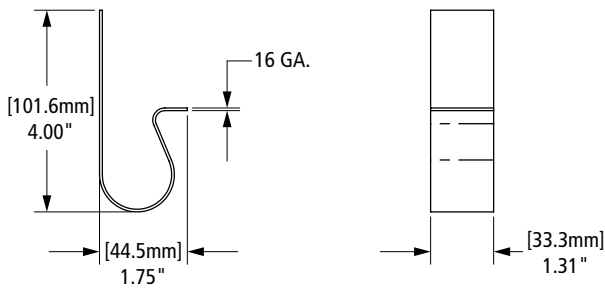
SUB FOR PENZ# 02-22-A



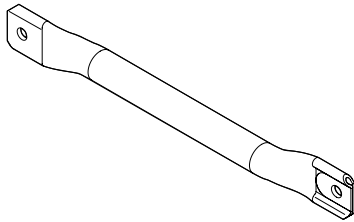
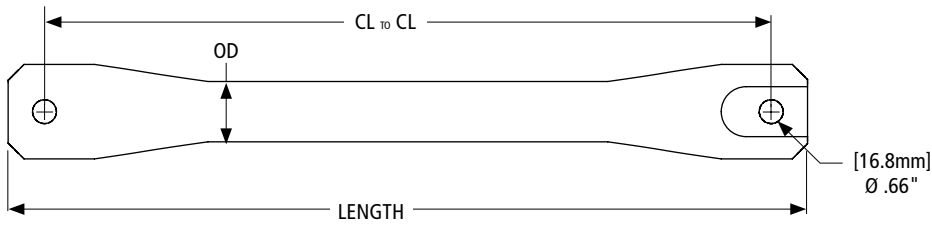
PART NO.	WEIGHT LBS [kg]
50618027	2.00 [0.91]



CRANK HANDLE KEEPER



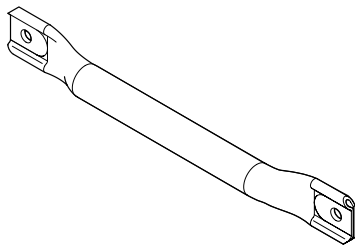
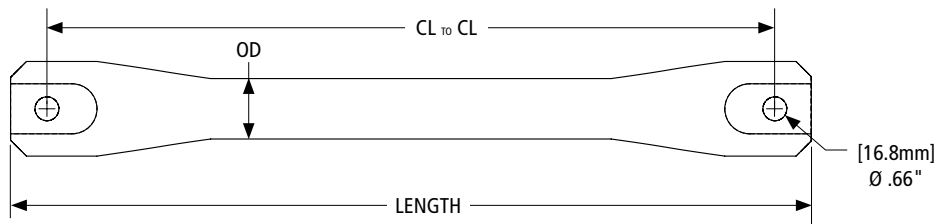
PART NO.	WEIGHT LBS [kg]
50618019	1.48 [0.67]



PART NO.	LENGTH [mm]	OD [mm]	CL TO CL HOLE	WEIGHT LBS. [kg]
LG0524-01	23.00" [584.2]	1.90" [48.3]	21.00" [533.4]	5.80 [2.63]
LG0525-01	17.62" [447.5]	1.90" [48.3]	15.62" [396.7]	4.50 [2.04]
*LG0091-#	2" [50.8] + CL TO CL HOLE	1.66" [42.2]	VARIES	VARIES

* The numbers following the dash represent the CL to CL hole (in.) dimension in 2 place decimal form. For part number, remove # and insert numbers after dash.
 Example: If the CL to CL dimension is 24.00", the part number would be LG0091-2400.

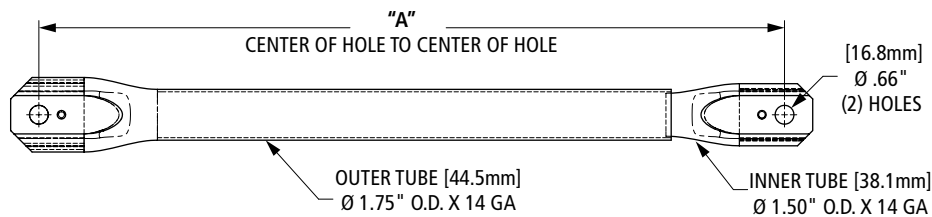
Part numbers may also have a non-numeric suffix.
 Example: LG0091-3250-P "-P" indicates paint



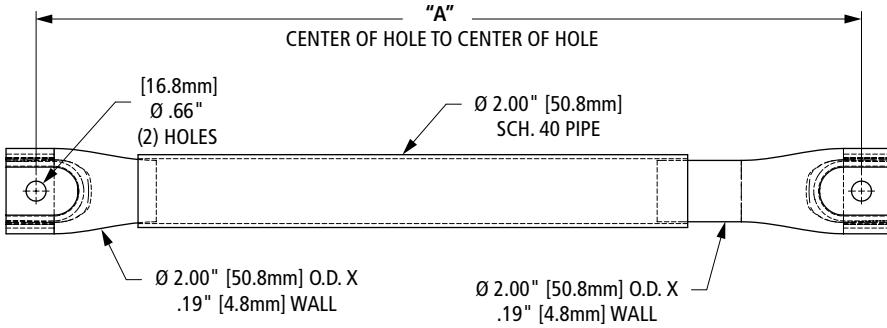
PART NO.	LENGTH [mm]	OD [mm]	CL TO CL HOLE	WEIGHT LBS. [kg]
*LG0646-#	2" [50.8] + CL TO CL HOLE	1.66" [42.2]	VARIES	VARIES

* The numbers following the dash represent the CL to CL hole (in.) dimension in 2 place decimal form. For part number, remove # and insert numbers after dash.
 Example: If the CL to CL dimension is 24.00", the part number would be LG0646-2400.

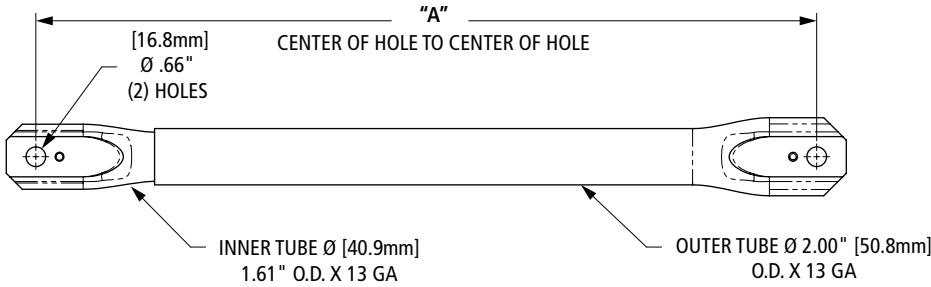
Part numbers may also have a non-numeric suffix.
 Example: LG00646-3250-P "-P" indicates paint



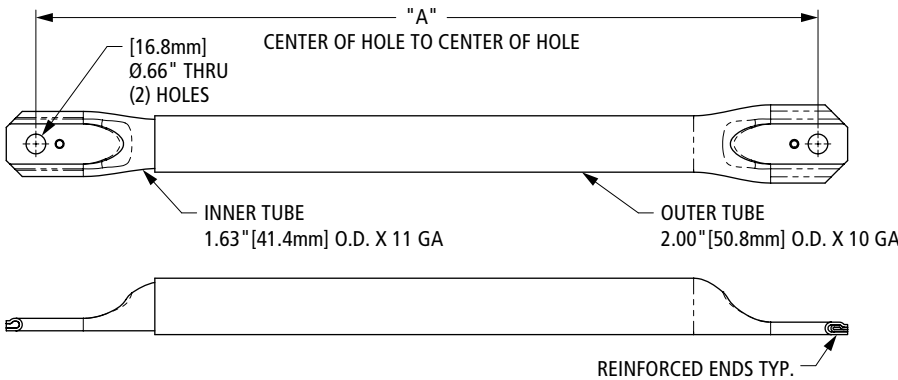
PART NO.	"A" [mm]	WEIGHT LBS. [kg]
50618006	26.00" [660.4] TO 41.00" [1041.4]	5.30 [2.40]
50618007	42.00" [1066.8] TO 57.00" [1447.8]	7.00 [3.18]
50618008	56.00" [1422.4] TO 72.00" [1828.8]	9.10 [4.13]



PART NO.	"A" [mm]	WEIGHT LBS. [kg]
50618009	26.00" [660.4] TO 41.00" [1041.4]	13.60 [6.17]
50618010	35.00" [889.0] TO 54.00" [1371.6]	18.10 [8.21]
50618011	56.00" [1422.4] TO 72.00" [1828.8]	25.20 [11.43]

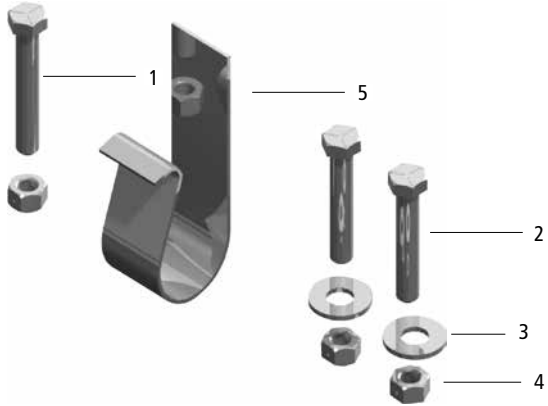


PART NO.	"A" [mm]	WEIGHT LBS. [kg]
50618012	26.00" [660.4] TO 41.00" [1041.4]	6.50 [2.95]
50618013	42.00" [1066.8] TO 57.00" [1447.8]	8.80 [3.99]
50618014	56.00" [1422.4] TO 72.00" [1828.8]	11.10 [5.03]



PART NO.	DESCRIPTION	"A" [mm]	WEIGHT IN LBS. [kg]
50618031	Brace, Med Duty ADJ 56-72"	56[1422.4] TO 72[1828.8]	14.60 [6.62]
50618030	Brace, Med Duty ADJ 42-57"	42[1066.8] TO 57[1447.8]	10.80 [4.90]
50618029	Brace, Med Duty ADJ 26-41"	26[660.4] TO 41[1041.4]	8.00 [3.63]

Installation Kits

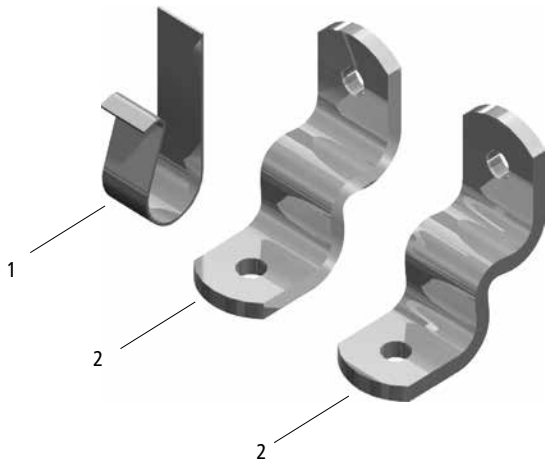


PART NO.	WEIGHT LBS [kg]
RK-V-06388	0.55 [0.25]

Replacement Parts

NO.	DESCRIPTION	PART NO.	QTY.	WEIGHT LBS [kg]
1	HHCS .38" -16 x 2.25"	XB-C-38-C-214	1	0.09 [0.04]
2	HHCS .38" -16 x 2.00"	XB-V-444-4	2	0.08 [0.04]
3	Washer .38"	XB-1108	2	0.02 [0.01]
4	Lock Nut .38" -16	XB-338	3	0.02 [0.01]
6	Crank Hanger	XB-LG0085	1	0.19 [0.09]

Binkley & Westran

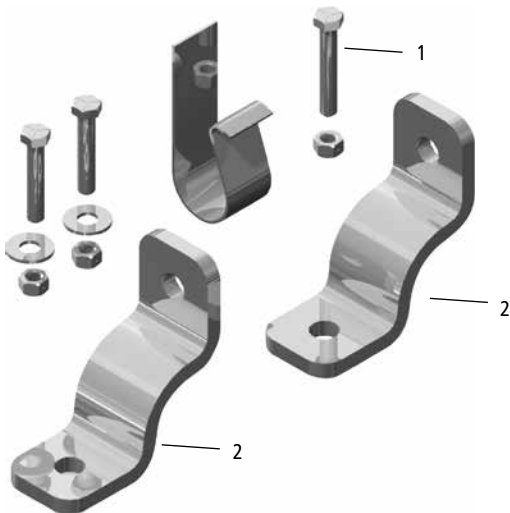


PART NO.	WEIGHT LBS [kg]
LG2789	3.15 [1.43]

Replacement Parts

NO.	DESCRIPTION	PART NO.	QTY.	WEIGHT LBS [kg]
1	Crank Hanger	XB-LG0085	1	0.19 [0.09]
2	Strut Bracket	LG0266	2	1.48 [0.67]

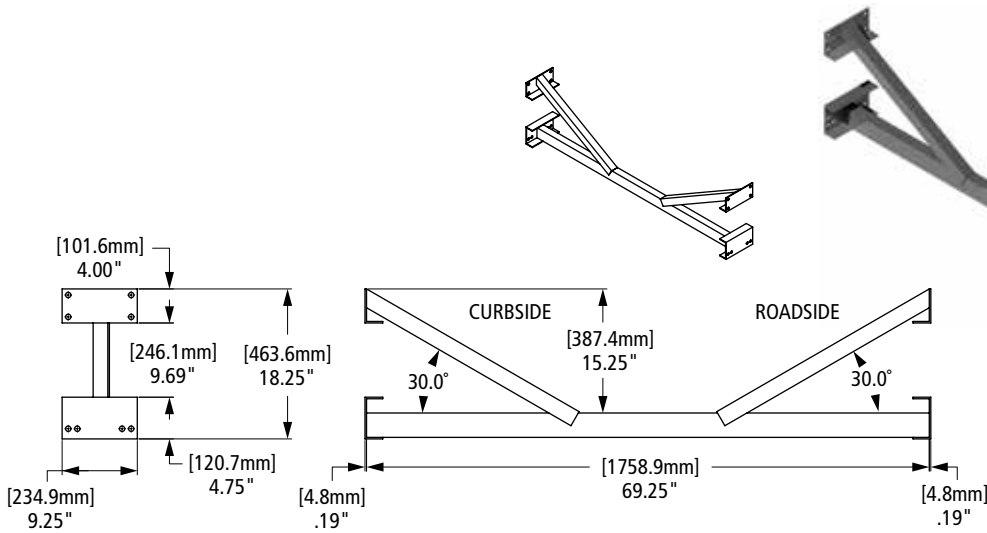
Mark V



PART NO.	WEIGHT LBS [kg]
LG2790	3.50 [1.59]

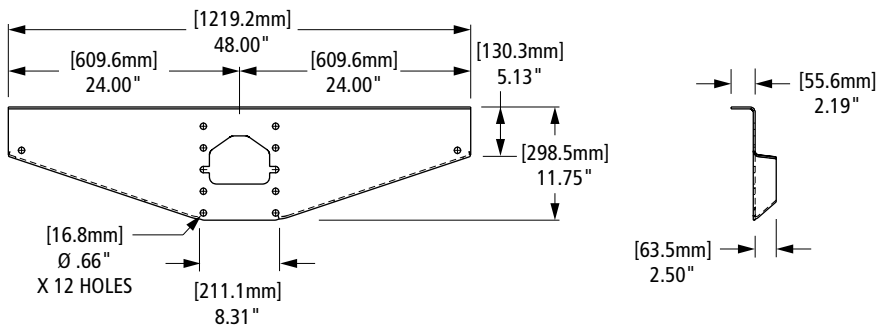
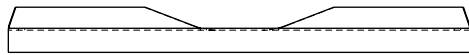
Replacement Parts

NO.	DESCRIPTION	PART NO.	QTY.	WEIGHT LBS [kg]
1	Componentry Kit	RK-V-06388	1	0.55 [0.25]
2	Brace	XA-V-1938	2	1.44 [0.65]



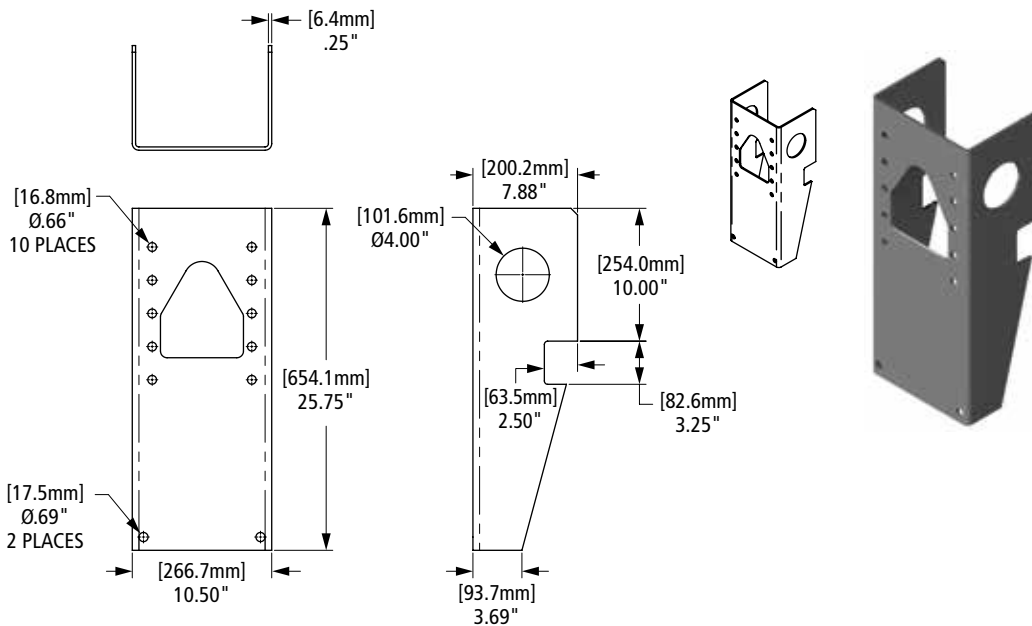
PART NO.	WEIGHT LBS [kg]
50618015	56.90 [25.81]

SUB FOR PENZ# 02-501-102



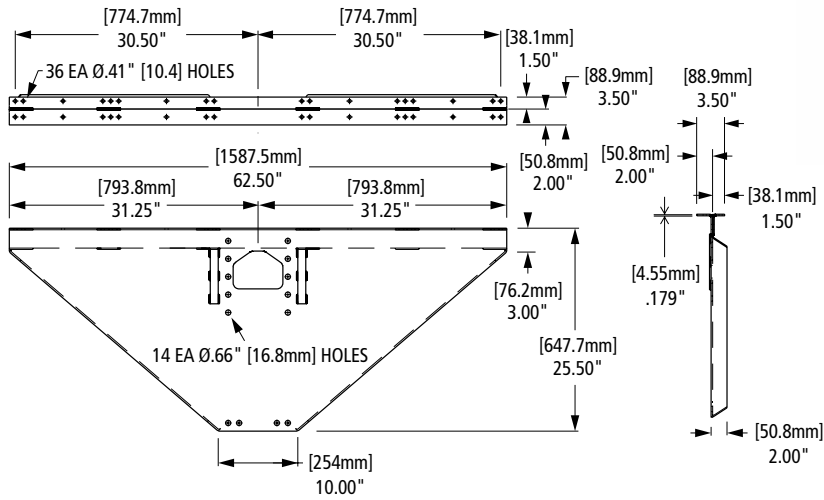
PART NO.	WEIGHT LBS [kg]
50618016	29.90 [13.56]

SUB FOR PENZ# 02-30, MILLER



PART NO.	WEIGHT LBS [kg]
50618017	35.90 [16.28]

SUB FOR CHEETAH



PART NO.	WEIGHT LBS [kg]
50618033	74.00 [33.37]

SUB FOR PENZ# 02-01

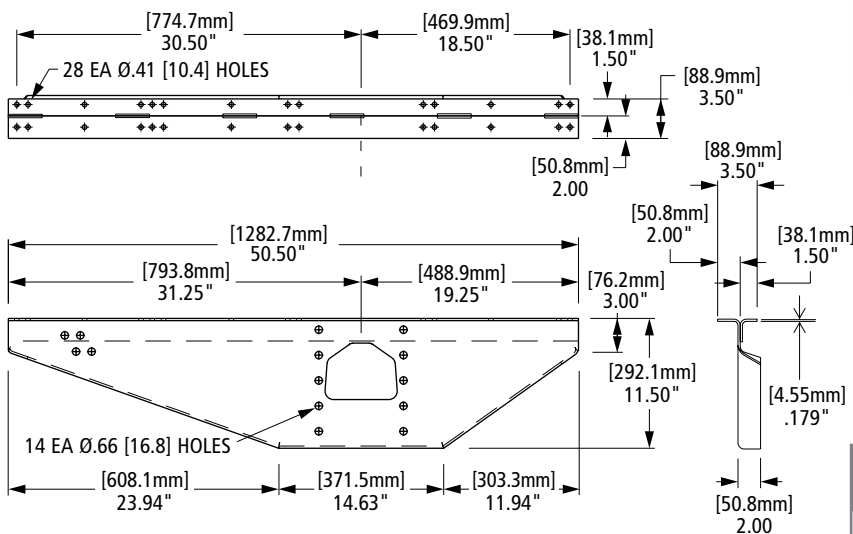
50618034

SUB FOR PENZ# 02-02-CS

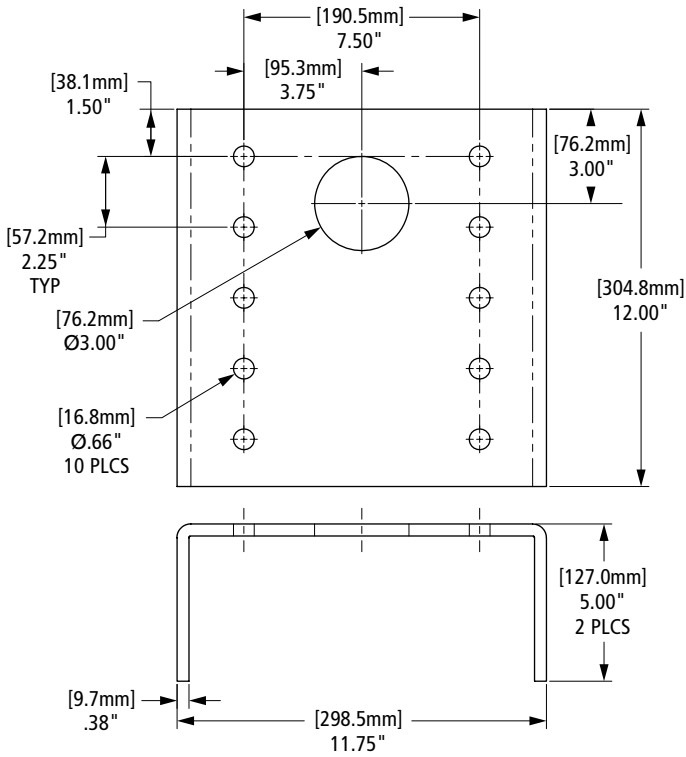


50618035

SUB FOR PENZ# 02-02-RS



PART NO.	DESCRIPTION	WEIGHT LBS [kg]
50618034	Wing Bracket - Curbside	38.75 [17.58]
50618035	Wing Bracket - Roadside	38.75 [17.58]

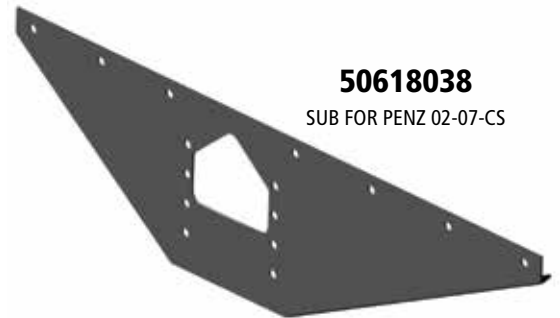
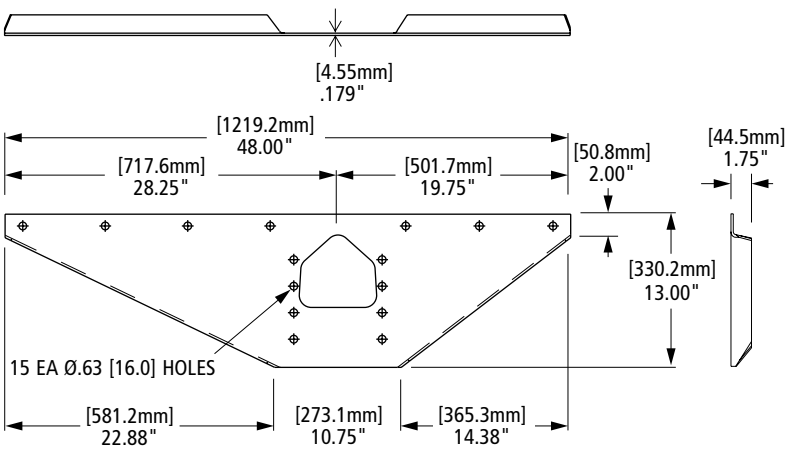


PART NO.	WEIGHT LBS [kg]
50618036	23.20 [10.52]

SUB FOR PENZ# 02-03

50618037

SUB FOR PENZ 02-07-RS



50618038

SUB FOR PENZ 02-07-CS

PART NO.	WEIGHT LBS [kg]
50618037	31.70 [14.38]
50618038	31.70 [14.38]



PART NUMBER	PAGE NO.
112001	2-9
112003	2-9
112005	2-9
112014	2-10
112015	2-10
112021	2-9
112023	2-9
112025	2-9
112030	2-9
112034	2-10
112130	2-9
130000	1-47, 1-115
130001	1-47, 1-117
130002	1-47, 1-111
130003	1-47, 1-109
130004	1-47, 1-107
160000	1-47
180000	1-47, 1-90
180010	1-47, 1-95
180016	1-47, 1-98
201205	1-51
201208	2-10
716037	1-43
716039	1-43
716058	2-31
716059	2-31
724036	1-43
724037	1-43, 1-47
725001	1-43, 1-47
725002	1-43, 1-47
725003	1-43, 1-47
725046	1-43, 1-47, 1-51
727000	1-43, 1-47
728000	1-43
728003	1-15, 1-17, 1-23, 1-25, 1-43, 1-47, 1-51, 2-31
729002	1-43, 1-47
729108	1-43, 1-47
730005	2-45
730007	1-43, 1-47
730011	1-43, 1-109
730051	2-46
730052	2-46
730122	2-13
730157	2-44
730590	1-43, 1-106
730624	2-51
730637	2-31
730638	1-15, 1-17, 1-23, 1-25, 1-43, 1-47, 1-51, 2-31

PART NUMBER	PAGE NO.
730640	1-15, 1-17, 1-23, 1-25, 1-43, 1-47, 1-51, 2-31
741158	1-43
750002	1-43, 1-89
750004	1-43, 1-47, 1-79
750005	2-38
750009	1-43, 1-51, 1-111
750212	2-15
750241	1-43, 1-95
750245	1-43, 1-96
750450	1-43, 1-47, 1-84
750452	1-43, 1-47, 1-86
750812	2-13
751173	1-43, 1-47, 1-51, 1-113
751174	1-43, 1-51, 1-115
751175	1-43, 1-47, 1-99, 1-104
751198	1-43, 1-47, 1-103
751407	2-15
751601	1-43
751612	1-43, 1-47
50616000	1-9, 1-11, 1-15, 1-17, 1-31, 1-33, 2-22
50616001	1-9, 1-11, 1-15, 1-17, 1-31, 1-33, 1-43, 1-47, 1-63, 1-65, 2-22
50616002	2-27
50616003	2-27
50616004	2-27
50616006	2-22
50616007	1-9, 1-11, 1-15, 1-17, 1-31, 1-33, 2-20
50616008	1-9, 1-11, 1-15, 1-17, 1-31, 1-33, 1-43, 1-47, 1-65, 2-20
50616009	2-26
50616012	2-24
50616013	2-28
50616014	2-28
50616015	2-26
50616016	2-26
50616017	2-30
50616018	2-35
50616019	2-35
50616020	2-36
50616021	2-36
50616022	2-39
50616023	2-39
50616024	2-40
50616025	2-40
50616026	2-40
50616027	2-41
50616028	2-42

PART NUMBER	PAGE NO.
50616029	2-39
50616030	2-33
50616034	2-20
50616035	2-21
50616036	2-24
50616039	2-24
50616040	2-39
50616041	2-40
50616042	2-38
50616043	2-39
50616044	2-39
50618000	2-12
50618001	2-12
50618002	2-12
50618004	2-19
50618005	2-19
50618006	2-53
50618007	2-53
50618008	2-53
50618009	2-54
50618010	2-54
50618011	2-54
50618012	2-54
50618013	2-54
50618014	2-54
50618015	2-56
50618016	2-56
50618017	2-56
50618018	2-44
50618019	2-52
50618020	2-45
50618021	2-47
50618022	2-51
50618023	2-47
50618024	2-48
50618025	2-50
50618026	2-51
50618027	2-52
50618028	2-50
50618029	2-54
50618030	2-54
50618031	2-54
50618033	2-57
50618034	2-57
50618035	2-57
50618036	2-58
50618037	2-58
50618038	2-58
50618039	2-48
50618041	2-48
50618042	2-49

PART NUMBER	PAGE NO.
50618043	2-49
50618046	2-19
50618047	2-46
50644000	2-3
50644001	2-4
50644002	2-3
50644003	2-4
50644004	2-3
50644005	2-4
50644006	2-3
50644007	2-4
50644008	2-3
50644009	2-4
50644010	2-3
50644011	2-4
50644013	2-6
50644014	2-6
50644015	2-6
50644016	2-6
50644017	2-6
50644018	2-6
50644019	2-6
50644020	2-6
50644021	2-6
50644022	2-6
50644023	2-6
50644031	2-11
50644032	2-11
50644033	2-11
50644034	2-11
50644035	2-11
50644036	2-7
50644037	2-7
50644047	2-4
50644048	2-4
50644049	2-4
50644050	2-3
50644051	2-3
50644052	2-3
2022100000180	1-15, 1-18
2022100000190	1-23, 1-25
2022300000020	1-23, 1-25
2024100000100	1-15, 1-17
2034160000150	1-23, 1-25
2034200000170	1-23, 1-25
2040100000050	1-15, 1-17, 1-19, 1-23, 1-25, 1-27, 1-112

PART NUMBER	PAGE NO.
2040100000060	1-15, 1-17, 1-19, 1-23, 1-25, 1-27, 1-114
2111100000430	1-19, 1-27, 1-78, 1-88
2111100000431	1-23, 1-25, 1-78, 1-88
2111100000440	1-19, 1-27, 1-84, 1-94
2111100000441	1-23, 1-25, 1-84, 1-94
2111100000450	1-19, 1-27, 1-86, 1-97
2111100000451	1-23, 1-25, 1-86, 1-97
2111100000460	1-19, 1-27, 1-81, 1-91
2111100000461	1-23, 1-25, 1-81, 1-91
2111100000470	1-19, 1-27, 1-81, 1-91
2111100000471	1-23, 1-25, 1-81, 1-91
2111100000480	1-19, 1-25, 1-27
2111100000481	1-23
2111100000490	1-19, 1-25, 1-27
2111100000491	1-23
2111100000500	1-19, 1-25, 1-27
2111100000501	1-23
2111100000510	1-19, 1-25, 1-27
2111100000511	1-23
2111100000520	1-19, 1-25, 1-27
2111100000521	1-23
2111100000530	1-23, 1-25
2111100003400	1-15, 1-17, 1-23, 1-25
2111100003410	1-15, 1-17, 1-23, 1-25
2111100003420	1-15, 1-17, 1-23, 1-25
2111100004080	1-15, 1-17
2111200000130	1-23
2111200000140	1-23
2111200000150	1-23
2111200000160	1-23
2111200000170	1-23
2111200000230	1-23
2111200000240	1-23
2111200000250	1-23
2111200000260	1-23
2111200000870	1-25
2111200000880	1-25
2111200000890	1-25
2111200000900	1-25
2111200000910	1-25
2111200000970	1-25
2111200000980	1-25
2111200000990	1-25
2111200001000	1-25
2111200002480	1-23
2111200002490	1-23
2111200002500	1-23
2111200002510	1-23

PART NUMBER	PAGE NO.
2111200002520	1-23
2111200002530	1-25
2111200002540	1-25
2111200002550	1-25
2111200002560	1-25
2111200002570	1-25
LG0043-01	2-33
LG0044-01	2-33
LG0045-01	2-33
LG0048-01	2-32
LG0048-10	2-32
LG0050	1-23, 1-25, 1-37, 1-39, 1-55, 2-25
LG0050-01	2-23
LG0051	1-23, 1-25, 1-37, 1-39, 1-55
LG0055	1-23, 1-25, 1-37, 1-39, 1-51
LG0055-01	1-23, 1-25, 2-23, 2-25
LG0056	1-23, 1-25, 1-37, 1-39, 1-51, 1-55
LG0056-02	1-23, 1-25, 2-21
LG0063-10	2-42
LG0065	1-23, 1-25
LG0065-01	1-23, 1-25
LG0065-02	1-23, 1-25
LG0065-03	2-23
LG0065-04	1-23, 1-25
LG0068	2-33
LG0070-01	2-38, 2-39
LG0070-02	1-9, 1-11, 1-15, 1-17, 1-23, 1-25, 1-31, 1-33, 1-37, 1-39, 1-43, 1-47, 1-51, 1-63, 1-65, 2-39
LG0070-04	2-39
LG0074	2-29
LG0078	2-29
LG0078-01	2-29
LG0083-01	1-12, 1-20, 1-28, 1-34, 1-40, 1-66, 2-2
LG0083-02	2-2
LG0083-02-GPC-PK	2-2
LG0083-02-GREY-PC	2-2
LG0083-03	1-12, 1-20, 1-28, 1-34, 1-40, 1-66, 2-2
LG0083-04	2-2
LG0083-05	1-12, 1-20, 1-28, 1-34, 1-40, 1-66, 2-2
LG0083-06	2-2
LG0083-07	2-2
LG0083-08	2-2
LG0083-09	2-2

PART NUMBER	PAGE NO.
LG0083-10	2-2
LG0083-11	2-2
LG0083-12	2-2
LG0091-#	2-53
LG0094	2-19
LG0094-XXXX	1-42, 1-47, 1-51, 2-19
LG0100	2-18
LG0122	1-23, 1-25
LG0123	2-33
LG0124	2-33
LG0127-10	1-11
LG0172	2-14
LG0177	1-72
LG0189-01	1-63, 1-87
LG0204-01	2-40
LG0204-04	2-40
LG0204-05	2-40, 2-42
LG0204-06	2-40
LG0204-07	2-40
LG0204-08	2-40
LG0216	2-18
LG0222-01	2-18
LG0223	2-18
LG0259	1-31, 1-33, 1-79
LG0260	1-31, 1-33, 1-89
LG0261-01	1-9, 1-31, 1-63, 1-98
LG0264	1-31, 1-33
LG0266	1-74, 2-46, 2-57
LG0369-01	1-31, 1-33, 1-82
LG0369-05	1-31, 1-33, 1-84
LG0370-01	1-31, 1-33, 1-92
LG0370-05	1-31, 1-33, 1-94
LG0371-01	1-9, 1-31, 1-101, 1-102
LG0436	1-31, 1-33, 1-86
LG0437	1-9, 1-31, 1-105
LG0438	1-31, 1-32, 1-96
LG0473	2-34
LG0474	2-34
LG0475	2-34
LG0475-01	2-34
LG0475-03	2-34
LG0524-01	2-53
LG0525-01	2-53
LG0527	2-34
LG0531-02	1-31, 1-33, 1-108
LG0541-01	1-9, 1-31, 1-63, 1-115
LG0543-01	1-9, 1-11, 1-31, 1-33, 1-63, 1-110
LG0559-10	1-11, 1-33, 1-39
LG0569	1-31
LG0569-01	1-31

PART NUMBER	PAGE NO.
LG0569-02	1-31
LG0569-04	1-31
LG0569-20	1-33
LG0569-21	1-33
LG0569-22	1-33
LG0573	1-36, 2-34
LG0574-01	1-31
LG0574-02	1-31
LG0574-04	1-31
LG0574-05	1-31
LG0574-21	1-33
LG0574-22	1-33
LG0574-24	1-33
LG0574-25	1-33
LG0580-01	1-31
LG0580-02	1-31
LG0580-03	1-31
LG0580-05	1-31
LG0580-22	1-33
LG0580-23	1-33
LG0580-24	1-33
LG0590	1-68
LG0646-#	2-53
LG0659	1-51
LG0659-10	1-15, 1-17, 1-23, 1-25, 1-65
LG0663	1-9, 1-31, 1-63
LG0663-10	1-11
LG0663-11	1-11, 1-33
LG0711	2-33
LG0714	2-33
LG0718-01	1-9, 1-11, 1-15, 1-17, 1-37, 1-39, 2-33
LG0725	1-9, 1-11, 1-15, 1-17, 1-31, 1-33, 1-37, 1-39, 2-32, 2-33
LG0730-01	2-33
LG0732-01	1-9, 1-11, 1-15, 1-17, 1-31, 1-33, 1-37, 1-39, 2-32
LG0732-02	2-32
LG0740-01	1-9, 1-11, 1-15, 1-17, 1-37, 1-39, 2-33
LG0747-504	1-31
LG0747-505	1-31
LG0818	2-30
LG0827	1-63, 1-63
LG0827-01	1-63, 1-65
LG0858	1-11, 1-33, 1-105
LG0859-01	1-11, 1-33, 1-101, 1-103
LG0861-01	1-11, 1-33, 1-99

PART NUMBER	PAGE NO.
LG0927	1-9, 1-11, 1-37, 1-39, 1-63, 1-78
LG0928	1-9, 1-10, 1-63, 1-88
LG0936-51	1-37, 1-39, 1-110
LG0944-10	1-39
LG0944-100	1-37
LG0946	1-9, 1-11, 1-37, 1-39, 1-80
LG0946-02	1-9, 1-11, 1-37, 1-39, 1-83
LG0947	1-9, 1-11, 1-90
LG0947-02	1-9, 1-11, 1-93
LG0948	1-9, 1-11, 1-37, 1-39, 1-85
LG0949	1-9, 1-11, 1-97
LG1326	1-11, 1-33, 1-39
LG1367-10	1-11, 1-33, 1-39
LG1468	1-70
LG1578	2-49
LG1720-10	1-68
LG1720-40	1-68
LG1721	1-68
LG1723-01	1-68
LG1723-02	1-68
LG1815-05	1-23, 1-25
LG1823-02	1-15, 1-17, 1-23, 1-25, 1-51, 1-65, 1-108
LG1829	1-55, 2-34
LG1871	1-72
LG1872	1-73
LG1872-03	1-73
LG1874-01	1-73
LG1874-03	1-73
LG1877	1-72
LG1879	1-73
LG1899	1-68
LG1973-50	1-76
LG2003	1-60
LG2003-01	1-60
LG2023	2-17
LG2024	1-60
LG2032	1-60
LG2032-01	1-60
LG2033	1-60
LG2066	2-44
LG2094	1-9, 1-31, 1-37, 1-63
LG2095	1-9, 1-31, 1-37, 1-63
LG2130-01	2-8
LG2130-02	2-8
LG2130-03	2-8
LG2130-04	2-8

PART NUMBER	PAGE NO.
LG2130-05	2-8
LG2130-06	2-8
LG2130-07	2-8
LG2130-08	2-8
LG2130-09	2-8
LG2130-11	2-8
LG2145-999	1-37
LG2147	1-37, 1-39, 1-89
LG2151	1-74
LG2151-101	1-74
LG2153	1-74
LG2153-102	1-74
LG2187	1-37, 1-39, 1-92
LG2187-01	1-37, 1-39, 1-94
LG2197	1-37, 1-39, 1-96
LG2314	1-63, 1-65, 1-68
LG2328	1-60, 1-68, 1-70, 1-80
LG2329	1-60, 1-68, 1-70
LG2334	2-47
LG2392-01	1-68
LG2392-02	1-70
LG2392-03	1-60
LG2427	2-42
LG2462	1-37, 1-39, 2-17
LG2462-01	2-17
LG2462-02	2-17
LG2462-03	2-17
LG2463-01	1-37, 1-39, 1-112
LG2464-01	1-37, 1-39, 1-113
LG2465-01	1-37, 1-39, 1-114
LG2536	2-50
LG2589	2-38
LG2596	1-76
LG2601	1-76
LG2602	1-76
LG2605	1-76
LG2727	2-33
LG2744-21	1-33
LG2744-22	1-33
LG2789	2-55
LG2790	2-55
LG2795	1-116
LG2884	1-15, 1-17, 1-23, 1-25, 1-51, 1-65, 1-106
LG2926	1-51, 1-65
LG2926-10	1-15, 1-17
LG2954	1-76
LG2955	1-76
LG2963-01	1-15, 1-17, 1-65, 1-88
LG2963-02	1-15, 1-17, 1-93

PART NUMBER	PAGE NO.
LG2963-03	1-15, 1-17, 1-97
LG2963-04	1-15, 1-17, 1-90
LG2963-05	1-15, 1-17
LG2964-01	1-15, 1-17, 1-65, 1-78
LG2964-02	1-15, 1-17, 1-83
LG2964-03	1-15, 1-17, 1-85
LG2964-04	1-15, 1-17, 1-80
LG2964-05	1-15, 1-17
LG2964-101	1-65, 1-87
LG2968	1-65, 1-114
LG2969	1-65, 1-112
LG2975	1-17, 1-23, 1-25, 1-65
LG2980	1-17, 1-23, 1-1-25, 1-65, 1-110
LG2996	1-17, 1-23, 1-25, 1-65
LG3005	1-17, 1-23, 1-25, 1-65
LG3011-01	1-65, 1-99
LG3011-02	1-101, 1-103
LG3011-03	1-105
LG3013-03	1-51
LG3012-04	1-51
LG3071-05	1-17
LG3077-01	1-17
LG3077-02	1-17
LG3077-03	1-17
LG3077-04	1-17
LG3095-01	1-17
LG-3095-02	1-17
LG3095-03	1-17
LG3095-04	1-17
LG3095-05	1-17
LG3095-06	1-17
LG3097-01	1-15
LG3097-02	1-15
LG3097-03	1-15
LG3097-11	1-17
LG3097-12	1-17
LG3097-13	1-17
LG-741158	1-51
LG-742913	1-51
LG-742927	1-51
LG-750002-03	1-51, 1-96
LG-750002-04	1-51, 1-92
LG-750002-05	1-51
LG-750004-01	1-51, 1-79
LG-750004-02	1-51, 1-85
LG-750004-03	1-51, 1-87
LG-750004-04	1-51, 1-82
LG-750004-05	1-51, 1-83
LG-751175-01	1-51, 1-100

PART NUMBER	PAGE NO.
LG-751175-02	1-51, 1-103
LG-751175-03	1-51, 1-104
RK-10919	1-31, 1-33, 1-51, 1-55, 1-60, 1-63, 1-65, 1-68, 1-70
RK-10980	1-117
RK-11074-01	1-37
RK-11284	1-31
RK-11285	1-31
RK-11286	1-55
RK-11287	1-55
RK-11288	1-9
RK-11289	1-9
RK-11290	1-43
RK-11291	1-43
RK-11321	1-47
RK-11322	1-47
RK-11442	1-65
RK-11443	1-65
RK-11488	1-51
RK-11489	1-51
RK-11682	1-22, 1-24
RK-11683	1-22, 1-24
RK-11820-C	1-18
RK-11820-IL	1-18
RK-11820-IS	1-18
RK-11820-R	1-18
RK-11820-U	1-26
RK-11822-C	1-26
RK-11822-IL	1-26
RK-11822-IS	1-26
RK-11822-R	1-26
RK-11822-U	1-26
RK-11823-C	1-26
RK-11823-IL	1-26
RK-11823-IS	1-26
RK-11823-R	1-26
RK-11823-U	1-26
RK-11824-C	1-18, 1-26
RK-11824-R	1-18, 1-26
RK-11824-U	1-18, 1-26
RK-V-024	2-34
RK-V-06388	2-57
RK-V-07602-1	1-55, 2-18
RK-V-07602-2	1-55, 2-18
RK-V-07780	1-55
RK-V-07781	1-55
RK-V-1997-1	1-55, 2-18
RK-V-1997-2	1-55, 2-18

PART NUMBER	PAGE NO.
XA-02154	1-75
XA-04681	2-21
XA-60024	2-13
XA-C-375-C-125	1-75
XA-CRP-06635	1-55
XA-CRP-V-06633	1-55
XA-CRP-V-06634	1-55
XA-CRP-V-06635	1-9, 1-11, 1-15, 1-17, 1-19, 1-23, 1-25, 1-27, 1-31, 1-33, 1-37, 1-39, 1-51, 1-55, 1-63, 1-65, 1-75
XA-H-06628-000-0	1-56
XA-H-06628-010-1	1-56
XA-H-06628-010-5	1-56
XA-H-06628-020-2	1-56
XA-H-06628-101-0	1-56
XA-H-06628-111-1	1-56
XA-H-06628-111-5	1-56
XA-H-06628-121-2	1-56
XA-H-06628-202-0	1-56
XA-H-06628-212-1	1-56
XA-H-06628-212-5	1-56
XA-H-06628-222-2	1-56
XA-H-06628-303-0	1-56
XA-H-06628-313-1	1-56
XA-H-06628-313-5	1-56
XA-H-06628-323-2	1-56
XA-H-06628-404-0	1-56
XA-H-06628-413-2	1-56
XA-H-06628-414-1	1-56
XA-H-06628-414-5	1-56
XA-H-06628-505-0	1-56
XA-H-06628-514-2	1-56
XA-H-06628-515-1	1-56
XA-H-06628-515-5	1-56
XA-HV-796	1-55
XA-LG0570-01	1-9, 1-11, 1-31, 1-33, 1-37, 1-39, 1-63, 1-106
XA-LG0880	1-9, 1-11, 1-37, 1-39, 1-51, 1-60, 1-63, 1-65, 1-68, 1-70, 1-74
XA-S03010	2-28
XA-V-06618	1-55
XA-V-06600	1-55, 1-75, 1-109
XA-V-06601	1-55, 1-75, 1-107
XA-V-06602	1-55, 1-117
XA-V-06603	1-55, 1-111
XA-V-06604-1	1-55, 1-113
XA-V-06606	1-55, 1-115
XA-V-06611	1-55

PART NUMBER	PAGE NO.
XA-V-06623-A	1-55, 1-79
XA-V-06623-B	1-55, 1-87
XA-V-06623-C	1-55, 1-85
XA-V-06623-D	1-55, 1-82
XA-V-06623-F	1-55, 1-83
XA-V-06624-A	1-55, 1-90
XA-V-06624-C	1-55, 1-95, 1-98
XA-V-06624-D	1-55, 1-92
XA-V-06624-F	1-55, 1-93
XA-V-06625-A	1-55, 1-100
XA-V-06625-B	1-55, 1-104
XA-V-06625-C	1-55, 1-101, 1-103
XA-V-06625-F	1-55, 1-102
XA-V-06628-000-0	1-56
XA-V-06628-010-1	1-56
XA-V-06628-010-5	1-56
XA-V-06628-020-2	1-56
XA-V-06628-101-0	1-56
XA-V-06628-111-1	1-56
XA-V-06628-111-5	1-56
XA-V-06628-121-2	1-56
XA-V-06628-202-0	1-56
XA-V-06628-212-1	1-56
XA-V-06628-212-5	1-56
XA-V-06628-222-2	1-56
XA-V-06628-303-0	1-56
XA-V-06628-313-1	1-56
XA-V-06628-313-5	1-56
XA-V-06628-323-2	1-56
XA-V-06628-404-0	1-56
XA-V-06628-413-2	1-56
XA-V-06628-414-1	1-56
XA-V-06628-414-5	1-56
XA-V-06628-505-0	1-56
XA-V-06628-514-2	1-56
XA-V-06628-515-1	1-56
XA-V-06628-515-5	1-56
XA-V-06629	1-55
XA-V-07085	1-55
XA-V-07601-1	1-55, 2-16
XA-V-07601-2	1-55, 2-16
XA-V-07602-1	1-55
XA-V-07602-2	1-55
XA-V-07954	1-75
XA-V-07957	1-75
XA-V-1875-10	1-75
XA-V-1901-1	1-55
XA-V-1901-2	1-41
XA-V-1901-3	1-41
XA-V-1903-1	1-55, 2-40
XA-V-1903-2	2-40

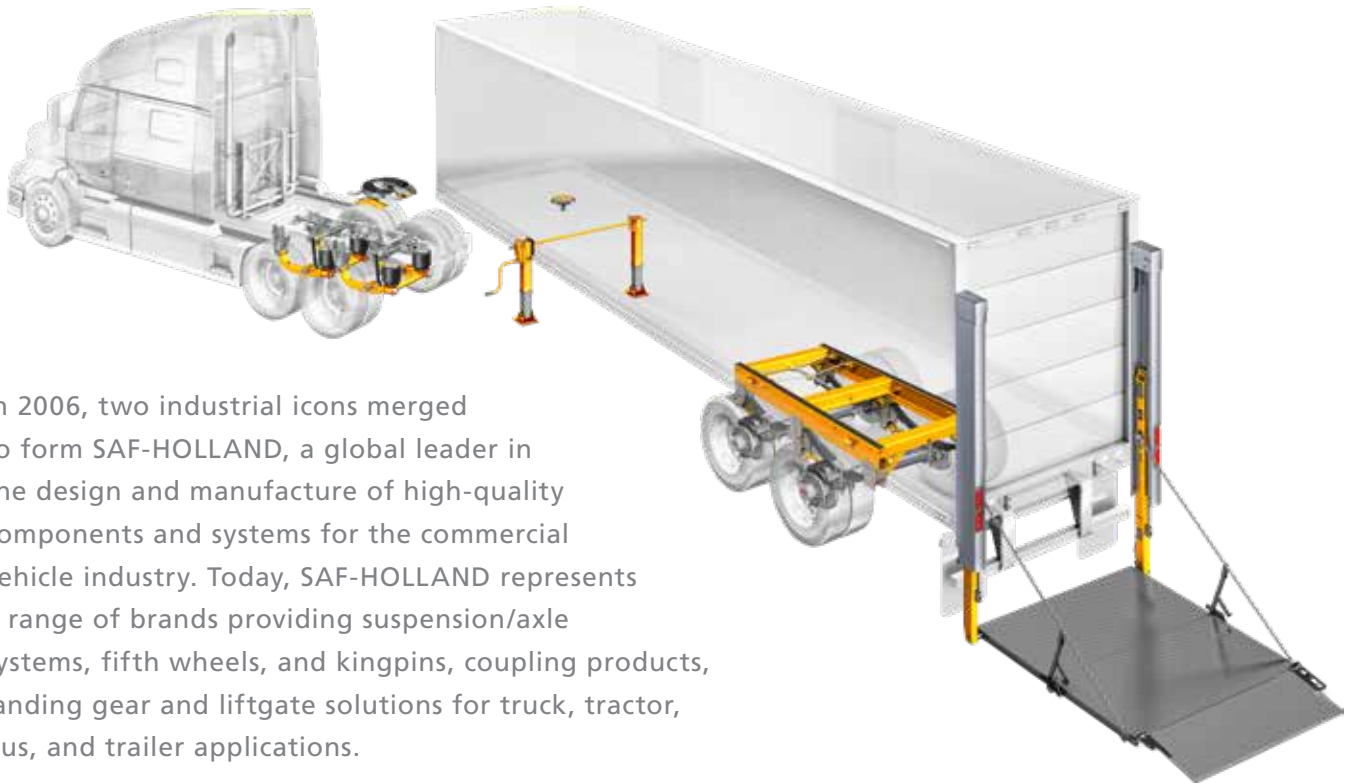
PART NUMBER	PAGE NO.
XA-V-1903-3	2-40
XA-V-1916	1-55, 2-16
XA-V-1916-1	1-55, 2-16
XA-V-1938	1-55, 2-45, 2-55
XA-V-298-01	1-76
XA-V-319	2-43
XA-V-346	2-43
XA-V-349	2-43
XA-V-350	2-43
XA-V-350-R	2-43
XA-V-630-2	1-55, 2-14, 2-16
XA-V-77070	1-75
XA-V-77071	1-75
XA-V-796-RCF	1-55, 2-32
XA-V-796-WS	1-55
XA-V-90-0	2-5
XA-V-90-1	2-5
XA-V-90-2	2-5
XA-V-90-3	2-5
XA-V-90-4	2-5
XA-V-90-5	2-5
XA-V-90-6	2-5
XA-V-90-7	2-5
XA-V-90-8	2-5
XA-V-90-10	2-5
XA-V-90-11	2-5
XA-V-90-12	2-5
XA-V-90-13	2-5
XA-V-90-146	2-5
XA-V-90-161	2-5
XA-V-971	1-55, 2-14, 2-16
XB-01789	1-55
XB-03695	1-76, 2-43
XB-03857	1-76, 2-43
XB-03858	1-76
XB-04523	2-16
XB-04676	2-34
XB-06179-2	1-55, 2-32
XB-06372	1-55
XB-07618	1-55, 2-16
XB-1108	2-43, 2-55
XB-21-S-218-1500	1-55
XB-21-S-375-1500	2-16
XB-21-S-375-3000	1-55, 1-75, 2-40
XB-248-A	2-43
XB-3103	1-55, 2-16
XB-338	1-55, 1-75, 2-16, 2-55
XB-767	1-55, 1-75
XB-767-L	1-55, 1-75
XB-BAL-023-01	1-55

PART NUMBER	PAGE NO.
XB-BAL-023-07	1-9, 1-11, 1-31, 1-33, 1-37, 1-39, 1-63
XB-BRG-013-70	1-60, 1-68, 1-70, 1-76
XB-BRG-013-77	1-9, 1-11, 1-15, 1-17, 1-23, 1-25, 1-31, 1-33, 1-37, 1-39, 1-51, 1-63, 1-65
XB-C-38-C-214	2-55
XB-CP4647-10	1-72
XB-CP4651-16	1-60, 1-68, 1-70, 2-14
XB-DCL-031-60	1-60
XB-DCL-031-66	1-72
XB-DCL-031-67	1-11, 1-33, 1-39
XB-DCL-031-79	1-68
XB-GP-014-07	1-9, 1-31, 1-60, 1-63, 1-68, 1-70, 1-76
XB-GP-014-18	1-15, 1-16, 1-18, 1-23, 1-25, 1-27, 1-51, 1-65
XB-GP-052-21	1-15, 1-17, 1-19, 1-23, 1-25, 1-27, 1-65
XB-GP-052-22	1-11, 1-33
XB-GP-052-43	2-11
XB-GP-052-49	1-33, 1-39
XB-GP-052-52	1-15, 1-17, 1-23, 1-25
XB-GP-38-1-12-E	1-55, 1-75
XB-GP-38-138-5	1-55
XB-HHB-050-58	1-23, 1-25, 2-33
XB-HHB-050-70	1-9, 1-11, 1-15, 1-17, 1-31, 1-33, 1-37, 1-39, 2-32, 2-33
XB-HHC-001-40	1-72
XB-HHC-050-114	1-54
XB-HHC-050-42	1-9, 1-11, 1-15, 1-17, 1-19, 1-23, 1-25, 1-27, 1-31, 1-33, 1-37, 1-39, 1-43, 1-47, 1-51, 1-60, 1-63, 1-65, 1-68, 1-70, 1-76
XB-HHC-050-65	2-42
XB-HHC-050-69	1-9, 1-11, 1-15, 1-17, 1-23, 1-25, 1-31, 1-33, 1-37, 1-39, 1-43, 1-47, 1-51, 1-63, 1-65, 1-76, 2-31, 2-39
XB-HHC-050-87	2-18
XB-HHC-050-114	2-32
XB-HTP-014-69	1-74
XB-KEY-018-02	1-9, 1-11, 1-31, 1-33, 1-37, 1-39, 1-63
XB-LG0085	1-55, 2-55
XB-LG0219-01	1-9, 1-11, 1-31, 1-33, 1-63
XB-LG0219-02	1-11, 1-33, 1-39
XB-LG0413	1-31, 1-33

PART NUMBER	PAGE NO.
XB-LG0428	1-9, 1-11, 1-31, 1-33, 1-63
XB-LG0472	2-34
XB-LG0542-01	1-9, 1-11, 1-31, 1-33, 1-63, 1-116
XB-LG0544	1-9, 1-11, 1-15, 1-17, 1-23, 1-25, 1-31, 1-33, 1-37, 1-39, 1-51, 1-63, 1-65
XB-LG0559	1-55, 1-75
XB-LG0658-01	1-9, 1-11, 1-31, 1-33, 1-37, 1-39, 1-63
XB-LG0659-01	1-9, 1-1, 1-31, 1-33, 1-37, 1-39, 1-63
XB-LG0660	1-9, 1-11, 1-31, 1-33, 1-63
XB-LG0663	1-9, 1-31, 1-63
XB-LG0713	1-23, 1-25, 1-55, 2-32, 2-33
XB-LG0726	1-9, 1-11, 1-15, 1-17, 1-31, 1-33, 1-37, 1-39, 2-32, 2-33
XB-LG0857-01	1-11, 1-33, 1-112
XB-LG0891	1-37, 1-39
XB-LG0893	1-9, 1-11, 1-37, 1-39, 1-51, 1-60, 1-63, 1-65, 1-68, 1-70, 1-74
XB-LG0931	1-37, 1-39
XB-LG1460	1-60, 1-68, 1-70
XB-LG1570	1-11, 1-33, 1-39, 1-55, 1-75
XB-LG1823-01	1-9, 1-11, 1-37, 1-39, 1-63, 1-108
XB-LG2006	1-60
XB-LG2026	1-60, 1-68, 1-70, 1-109
XB-LG2027	1-60, 1-68, 1-70, 1-107
XB-LKP-014-100	1-74
XB-PW-016-03	1-9, 1-11, 1-15, 1-17, 1-19, 1-23, 1-25, 1-27, 1-31, 1-33, 1-37, 1-39, 1-63, 1-65, 1-76, 2-10, 2-43
XB-PW-016-13	1-43, 1-47
XB-PW-016-19	1-9, 1-11, 1-31, 1-33, 1-37, 1-39, 1-63
XB-PW-016-51	1-60, 1-68, 1-70
XB-PW-016-62	1-9, 1-11, 1-15, 1-17, 1-23, 1-25, 1-31, 1-33, 1-37, 1-39, 1-43, 1-47, 1-51, 1-63, 1-65
XB-PW-016-88	1-76
XB-SEL-030-17	1-11, 1-33, 1-37, 1-39, 1-51
XB-SEL-030-18	1-39
XB-SEL-030-22	1-11, 1-33

PART NUMBER	PAGE NO.
XB-SLN-012-04	1-9, 1-11, 1-15, 1-17, 1-19, 1-23, 1-25, 1-27, 1-31, 1-33, 1-37, 1-39, 1-43, 1-47, 1-51, 1-60, 1-63, 1-65, 1-68, 1-70, 1-76, 2-10, 2-18, 2-31, 2-38, 2-42, 2-43
XB-SLN-012-07	1-72
XB-SP0012-10	1-9, 1-11, 1-15, 1-17, 1-23, 1-25, 1-31, 1-33, 1-37, 1-39, 2-32, 2-33
XB-SP-014-27	1-9, 1-11, 1-23, 1-25, 1-31, 1-33, 1-37, 1-39, 1-51, 1-60, 1-63, 1-68, 1-70
XB-SPG-020-02	1-55
XB-SPG-020-26	1-68
XB-SPG-020-36	1-9, 1-11, 1-31, 1-33, 1-37, 1-39, 1-63
XB-STS-008-11	1-9, 1-11, 1-15, 1-17, 1-23, 1-25, 1-31, 1-35, 1-37, 1-39, 1-43, 1-47, 1-51, 1-60, 1-63, 1-65, 1-68, 1-70, 1-74
XB-STS-008-17	1-60, 1-63, 1-65, 1-68, 1-76
XB-V-06621	1-55
XB-V-06629	1-75
XB-V-06630	1-55, 1-75
XB-V-06632	1-55, 1-75
XB-V-07054	1-55
XB-V-1915	1-55, 2-16
XB-V-315-1	2-43
XB-V-348	2-43
XB-V-444-4	1-55, 2-16, 2-55
XB-V-647	1-55, 1-75
XB-V-647-1	1-55
XB-V-747-HD-1	1-75, 2-42
XB-V-851	2-16
XB-WHL-026-11	2-42, 2-43
XD-LG0856	1-11, 1-33, 1-114
XL-LG303	2-16
XL-LG375	2-10

YOUR COMPLETE SOURCE FOR COMMERCIAL VEHICLE PRODUCT SOLUTIONS



In 2006, two industrial icons merged to form SAF-HOLLAND, a global leader in the design and manufacture of high-quality components and systems for the commercial vehicle industry. Today, SAF-HOLLAND represents a range of brands providing suspension/axle systems, fifth wheels, and kingpins, coupling products, landing gear and liftgate solutions for truck, tractor, bus, and trailer applications.



- FIFTH WHEELS
- LANDING GEAR
- KINGPINS
- COUPLINGS
- LIFTGATES



- MECHANICAL SUSPENSION/
AXLE SYSTEMS
- TRAILER AXLES/BRAKES
- AIR-RIDE SUSPENSION/
AXLE SYSTEMS



- SEVERE-DUTY VOCATIONAL
AIR-RIDE SUSPENSIONS
- BUS AIR-RIDE SUSPENSIONS
- STEER AIR-RIDE
SUSPENSIONS



www.safholland.com



From fifth wheel rebuild kits to suspension bushing repair kits, SAF-HOLLAND Original Parts are the same quality components used in the original component assembly.

SAF-HOLLAND Original Parts are tested and designed to provide maximum performance and durability. Will-fits, look-alikes or worse yet counterfeit parts will only limit the performance potential and could possibly void SAF-HOLLAND's warranty. Always be sure to spec SAF-HOLLAND Original Parts when servicing your SAF-HOLLAND product.

SAF-HOLLAND USA • 800.876.3929 • Fax 800.356.3929
www.safholland.us

SAF-HOLLAND CANADA • 519.537.3494 • Fax 800.565.7753
WESTERN CANADA • 604.574.7491 • Fax 604.574.0244
www.safholland.ca

SAF-HOLLAND MEXICO • +(52) 55.5362.8743 • Fax +(52) 55.5362.8743
www.safholland.com.mx

info@safholland.com

