

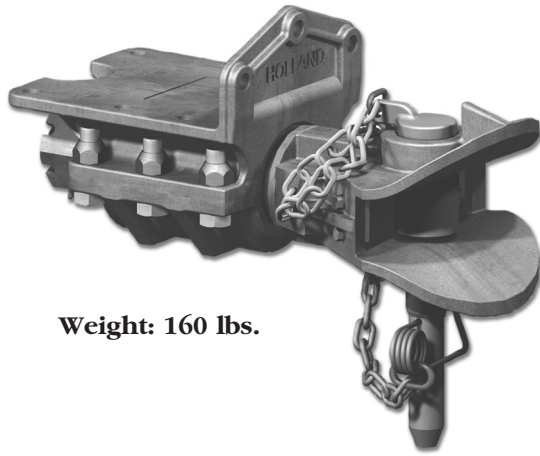


GO THE DISTANCE.

PH-990ST71

PH-990ST71 SPECIFICATIONS

(Replaces PH-T-990)



Weight: 160 lbs.



Swivel type pintle hook with rubber cushion and “fish mouth” type head, and with replacement wear inserts. Swivel action provides torsional relief and rubber cushion provides some shock absorption at the coupling.

3,000 lbs. Maximum Vertical Load
100,000 lbs. Maximum Gross Trailer Weight

IMPORTANT SAFETY INFORMATION:

DO NOT damage the pintle head. Be particularly careful with the drawbar when coupling and uncoupling.

Other steps and inspections are also required. Consult OSHA and D.O.T. regulations and American Trucking Association for complete coupling and uncoupling procedures. These cover items such as cargo securement, brakes, lights, safety chains, and other important requirements.

This equipment must not be used or maintained in a careless manner.

TOWING APPLICATIONS:

Trailers, full trailers and doubles operations within the stated capacities. Use ONLY in conjunction with a non-swivel type drawbar. For off-road applications, reduce the above capacities by 25%.

DRAWBAR EYE DIMENSIONS:

3" I.D. with 1.63" diameter section.

MOUNTING:

1. Use a mounting structure of sufficient strength to support the rated capacity of the pintle hook in accordance with SAE J849 and SAE J847, respectively.
2. Use the hole pattern described on the reverse.
3. Use nine (9) .75" grade 8 fasteners, properly tightened.

OPERATING INSTRUCTIONS:

1. Before operating, inspect for proper operation, worn, damaged, or missing parts and secure mounting. Correct as required before use.
2. Remove clevis pin (XA-10287) by removing safety pin (XB-0437) and lifting up.
3. Position drawbar eye into the center of the “fish mouth”.
4. Insert clevis pin and fasten safety pin.

MAINTENANCE:

For proper performance, the following procedures should be performed every 30,000 miles or three months, whichever comes first.

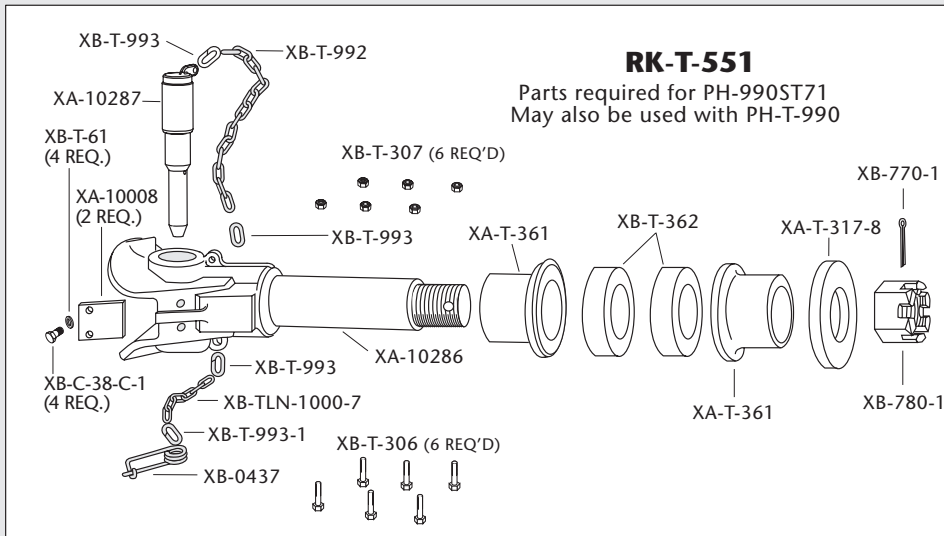
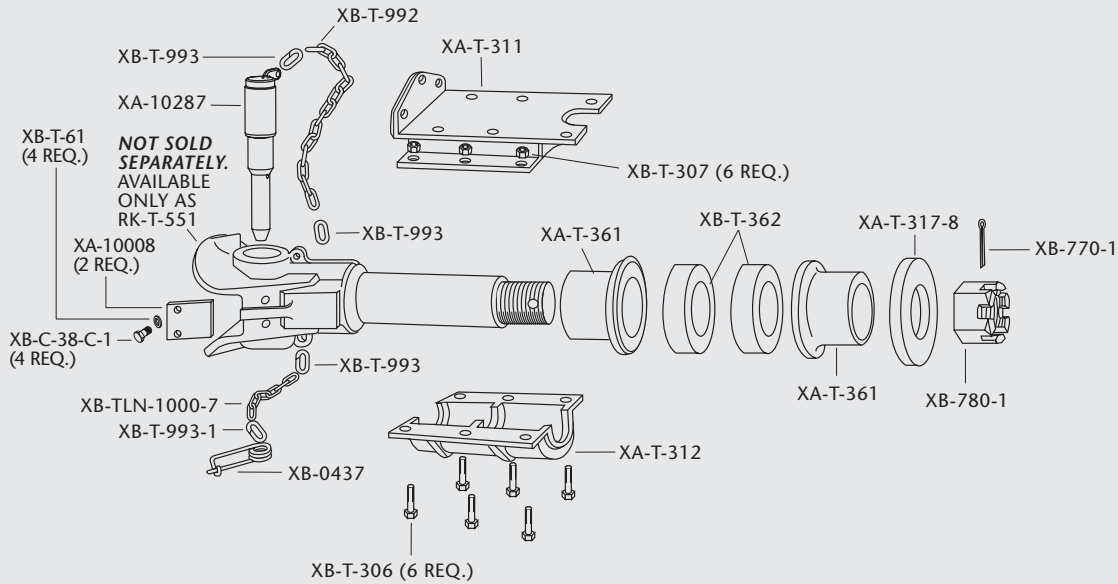
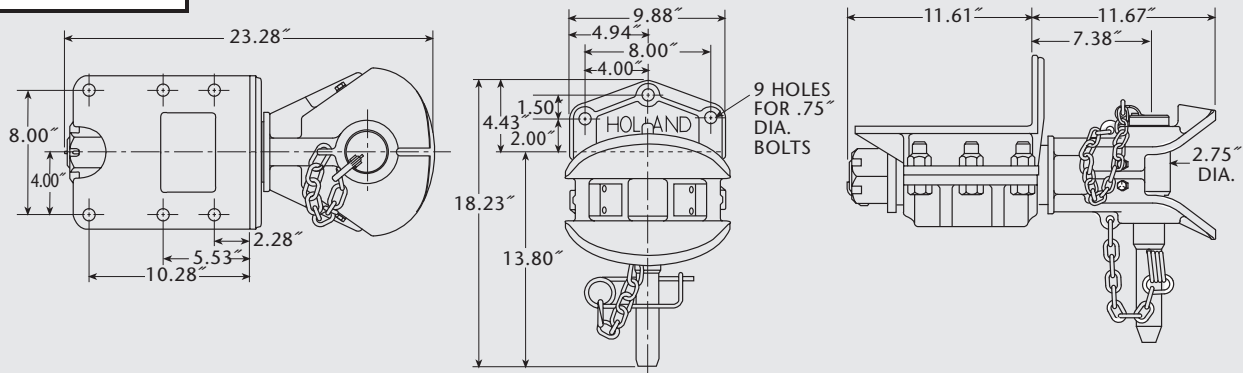
1. Clean and check for proper operation. Inspect for worn, damaged, or missing parts. Replace as required using only Holland parts.
2. Inspect, in particular, the coupling area and periodically disassemble to inspect for wear on the shank and housing bushings. Replace any component when wear exceeds 1/8" (.125") from the original surface profile. Replace the rubber bushings (XB-T-362) whenever shank free-play exceeds 1/8" (.125"). (Request “Rebuilding Procedures,” form number XL-PH249-XX, for proper disassembly and assembly procedures). Request pin and wear plate kit form number XL-PH311-01 for replacement of a worn clevis pin.
3. Regularly lubricate all pivot points with a light oil lubricant.
4. Check the mounting fasteners for proper torque.

GENERAL INFORMATION:

1. Do not modify or add to the product.
2. Wear safety goggles during installation, removal and rebuilding.
3. Never strike any part of the item with a steel hammer.
4. Do not weld on this product without written consent from the factory.

These products are covered by Holland’s Commercial Products Warranty. Holland reserves the right, without giving prior notice, to change specifications and dimensions as designs are altered or improved.

PH-990ST71



ALL DIMENSIONS SHOWN ARE NOMINAL

Copyright © November 2003 • The Holland Group, Inc.

Holland USA, Inc. Facilities:
 Dumas, AR Warrenton, MO
 Holland, MI Wylie, TX
 Muskegon, MI

Holland International, Inc.
 Holland, MI
 Phone: 616-396-6501
 Fax: 616-396-1511

Holland Hitch of Canada, Ltd.
 Woodstock, Ontario • Canada
 Phone: 519-537-3494
 Fax: 800-565-7753

Holland Equipment, Ltd.
 Norwich, Ontario • Canada
 Phone: 519-863-3414
 Fax: 519-863-2398

Holland Hitch of Canada, Ltd.
 Surrey, British Columbia • Canada
 Phone: 604-574-7491
 Fax: 604-574-0244