



Vocational Products

Products Proven to Meet the Demands of Vocational-Duty Operations for Trucks, Tractors and Trailers



There's a World of **Vocational Product Solutions** from SAF-HOLLAND



LEADING THE WORLD WITH INNOVATIVE SAF SUSPENSION SYSTEMS FOR HEAVY AND SEVERE-DUTY APPLICATIONS



SAF TRAILER SUSPENSION, AXLE SYSTEMS, AND HALDEX BRAKE/WHEEL END PACKAGES

SAF leading edge technology and innovations have pushed performance, durability and extended service-life, in severe-duty applications, to new heights. With a wide range of air and mechanical trailer axle and suspension systems, SAF suspensions equipped with Haldex premium brake components provide many solutions to fit off-highway applications.



FOR OVER A CENTURY THE WORLD HAS DEPENDED ON HOLLAND FOR DURABILITY AND PERFORMANCE



HOLLAND FIFTH WHEELS, KINGPINS, LANDING GEAR AND COUPLING PRODUCTS

The HOLLAND name is globally recognized for quality and dependability. HOLLAND Brand products include the most diverse model line-up available today for severe-duty applications. From frigid Canada, to the blistering Middle East to the Australian Outback, HOLLAND can be found around the world.



FOR SEVERE-DUTY SOLUTIONS BUILT FOR THE ROUGHEST JOBS ON EARTH, RIDE WITH NEWAY



NEWAY POWER VEHICLE SUSPENSIONS

NEWAY drive-axle suspensions have set the benchmark for toughness, durability and performance in severe-duty applications. The standard in severe-duty performance for decades, NEWAY suspensions are built to take on some of the toughest, roughest jobs on earth, from oil fields, to mining, to logging and heavy-haul applications.

Product Solutions for Vocational Vehicles



STANDARD TO SEVERE FIFTH WHEELS WITH SLIDING OR STATIONARY MOUNTING SYSTEMS



WELD-ON AND REPLACEABLE KINGPINS



STANDARD OR HEAVY-DUTY LANDING GEARS



AIR-RIDE SUSPENSION AXLE SYSTEMS WITH P89 AIR DISC BRAKES



HEAVY AND SEVERE-DUTY DRIVE AXLE AIR-RIDE SUSPENSIONS



HEAVY AND SEVERE-DUTY SWIVEL MOUNT PINTLE HOOKS



CALIPERS AND ACTUATORS



RIGID MOUNT PINTLE HOOK AND DRAWBAR COUPLINGS



GRAVEL / DUMP - OIL FIELD - HEAVY HAUL - CONCRETE MIXER - CONSTRUCTION / BLOCK HAULER - MINING - LOGGING - HEAVY CONSTRUCTION - CONCRETE PUMPER - REFUSE (ROLL-OFF) - UTILITY TRUCK - TOW VEHICLE / WRECKER

Vocational Fifth Wheels

HOLLAND is the Exclusive Severe-Duty Fifth Wheel Leader with Unmatched Durability and Performance Capabilities.



FW35 THE WORLD'S MOST VERSATILE AND PROVEN

CAPACITY:

55,000 lbs. (25,000 kg) Max Vertical Load
150,000 lbs. (68,000 kg) Max Drawbar Pull

- Durable Cast Steel Top Plate
- Proven Lock System Design
- Stationary or Sliding Mount



FW33 VERSATILITY WITH LOW-LUBE TECHNOLOGY

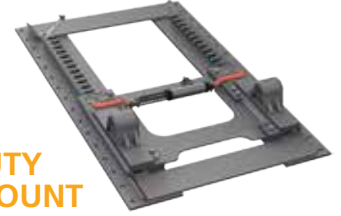
CAPACITY:

55,000 lbs. (25,000 kg) Max Vertical Load
150,000 lbs. (68,000 kg) Max Drawbar Pull

- Reduces Lubrication Cost and Time
- Extends Maintenance Intervals
- Stationary or Sliding Mount

Stationary and Sliding Mounting Systems

For vocational applications



SEVERE-DUTY SLIDING MOUNT

Robust design for vocational trailer applications that require fifth wheel repositioning.

Available with FW70 Top Plate Only



KOMPENSATOR®

CRADLE MOUNT DESIGN RELIEVES TORSIONAL STRESS FOR RIGID TRAILERS

Reduces trailer torque and twist transfer through the fifth wheel. Available in Sliding or Stationary.

SDS Kompensator Available with FW35, FW31, and FW70 Top Plates



SEVERE-DUTY SLIDING NO-TILT & STATIONARY NO-TILT

RIGID, FIFTH WHEEL MOUNT LOCKS TO PREVENT ARTICULATION

Allows fifth wheel top plate to convert to a rigid no-tilt fifth wheel for applications where articulation is provided on the trailer.

SDS No-Tilt Available with FW70 Top Plate Only

Inboard and outboard mounts available for all systems shown.



FW70

CAPACITY:

70,000 lbs. (31,751 kg) Max Vertical Load
200,000 lbs. (90,718 kg) Max Drawbar Pull- Stationary Mount
150,000 lbs. (68,000 kg) Max Drawbar Pull- Sliding Mount

- Robust Cast Steel Construction
- Forged, Heat-Treated Lock Jaw
- 3-1/2" Kingpin Lock Available
- Stationary or Sliding Mount



FW0100/FW0165

CAPACITY:

100,000 lbs. (45,359 kg) Max Vertical Load
165,000 lbs. (74,842 kg) Max Vertical Load
200,000 lbs. (90,718 kg) Max Drawbar Pull

- Severe-Duty Cast Steel Construction
- Easy Infinite Lock Adjustment
- Stationary Mount
- 3-1/2" Kingpin Only

Other models and mounting options available. Refer to Fifth Wheel Catalog XL-FW10066SG.

Kingpins

High Impact and Wear Resistant for Dependable Severe-Duty Service.

HOLLAND KINGPINS ARE AVAILABLE IN:

- Mushroom and Double-Spool Configurations
- A Variety of Upper Coupler Thicknesses
- Weld-On or Replaceable Designs
- SAE 2" and SAE 3.5" Diameter Models



Vocational Landing Gears

Designed with the Durability and Lifting Power Necessary for Vocational Trailers.



Black Armour Metal Treatment

Treatment process, unlike paint or powder coating, means the ultimate in corrosion protection with no rust creep.



MARK V™

WHEN YOU DEMAND THE BEST IN ALL AROUND PERFORMANCE

CAPACITY:

200,000 lbs. (90,718 kg) Static Vertical Load
32,000 lbs. (1,514 kg) Side-Load Capacity
62,500 lbs. (28,350 kg) Lift Capacity

- Heavy-Duty Gearbox
- Double-D Crank Handle Connection
- Large 5-1/8" Square Upper Tube Housing
- Heavy-Duty, One Piece Inner Tube

MARK V™ HD

EXCEEDS THE STANDARDS FOR STRENGTH, DURABILITY, AND EASE OF LIFT

CAPACITY:

200,000 lbs. (90,718 kg) Static Vertical Load
46,000 lbs. (20,865 kg) Side-Load Capacity
62,500 lbs. (28,350 kg) Lift Capacity

- Three large, In-line High-strength Crank Gears
- Heavy-Duty Thrust Bearings for Smooth Operation
- Large 1-5/8" Dia. Double lead Elevating Screw

Vocational Tow Coupling Products

Heavy, Severe-Duty Rigid and Swivel-Mount Coupling Products for Heavy-Haul Trucks and Trailers in On/Off-Road Operations.



PH-775SL11 NoLube™

SWIVEL-MOUNT PINTLE HOOK

CAPACITY:

100,000 lbs. (45,360 kg) Gross Trailer Weight
20,000 lbs. (9,072 kg) Max Vertical Load

- Swivel-Mount for Off-Road Articulation
- No Lubrication Required
- PH-775SL21 – tethered lock pin model



PH-990ST71

SWIVEL MOUNT PIN AND CLEVIS COUPLER

CAPACITY:

100,000 lbs. (45,360 kg) Gross Trailer Weight
3,000 lbs. (1,360 kg) Max Vertical Load

- 'Fish-Mouth' Design Aids Direct Coupling
- Rubber Cushioned for Shock Absorption



PH-405

AIR CUSHIONED PINTLE HOOK

CAPACITY:

100,000 lbs. (45,360 kg) Gross Trailer Weight
20,000 lbs. (9,072 kg) Max Vertical Load

- Austenitic Manganese Steel Alloy Body for wear resistance
- Fast Latch™ for Easy, One-Handed Operation

DB-100FQ1 BOLT-ON FLANGE MOUNT DRAWBAR

CAPACITY:

100,000 lbs. (45,360 kg) Gross Trailer Weight
20,000 lbs. (9,072 kg) Max Vertical Load

- Heat Treated for Strength and Wear Resistance
- 3" (76 mm) Eye
- 40K and 60k GTW Models Available



DB-610-30 WELD-ON, SWIVEL MOUNT DRAWBAR ASSEMBLY

CAPACITY:

85,000 lbs. (38,556 kg) Gross Trailer Weight
500 lbs. (227 kg) Max Vertical Load

- Heat Treated Drawbar for Strength and Wear Resistance
- 3" (76 mm) Eye
- Steel Block Housing with Built-in Grease Zerk



Other coupling products available. Refer to Coupling Products Catalog XL-PH10397SG.

Trailer Air Suspension Systems

CBX Fixed Frame Suspensions Series Provide a Model for Most Vocational Trailers and CBX Underslung and Yoke Mount Suspensions for Low Profile Application.



SAF CBX Series suspension/axle systems provide low overall system weights and greater application adaptability.

The SAF CBX Series self steering axle suspension addresses SPIF regulations and lift capabilities required for multi-axle trailers.



SAF-HOLLAND's advanced corrosion protection is standard on all CBX Series suspensions.



P89 Optional Disc Brakes



SELF STEER AXLE STEER AXLE FOR MULTI-AXLE TRAILERS

CAPACITIES:

25,000 lbs. (11,340 kg)
30,000 lbs. (13,608 kg)*

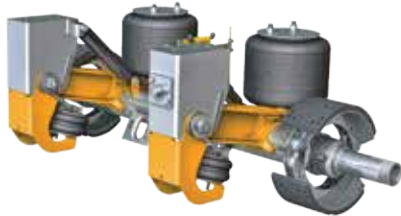
- Meets Canadian SPIF Compliance
- Wheel Cuts of 20° or 25-30° for Greater Maneuverability
- Optional SAF P89 Disc Brakes
- SAF X-Series 5.75" Axle
- Optional CBL (Center Bag Lift) Lightweight Lift Axle System

CBX SERIES LIGHTWEIGHT COMPACT DESIGN IN TOP MOUNT, UNDERSLUNG AND YOKE MOUNT MODELS

CAPACITIES:

23,000 lbs. (10,433 kg)
25,000 lbs. (11,340 kg)
30,000 lbs. (13,608 kg)*

- SwingAlign™ Axle Alignment System
- Optional SAF INTEGRAL® P89 Disc Brakes
- SAF X-Series 5.75" Axle
- Optional PosiLift™ Axle Lift System



CBX25 Shown with
Optional PosiLift™



CBXu Series
Underslung Suspension



CBXy Series
Yoke Mount Suspension
(CBy Small Drum Brake Package)

* CBX25/30 Models rated for 30,000 lbs. of load carrying at creep speed and 25,000 lbs. capacity for on-highway operations. Creep speed is defined as 5 mph or less.

Optional P89 Plus Air Disc Brakes

Premium Performance
Maintenance Free Design

Featuring the legendary INTEGRAL® rotor/hub and premium sealed bearings for reduced maintenance.

Featuring:

- Robust parallel spindle
- Long-life sealed bearings
- Haldex LifeSeal+ Actuators
- Haldex single piston calipers
- Premium spindle nuts
- 7-Year warranty
(see warranty for complete details)



Haldex

Featuring Haldex
Calipers and Actuators

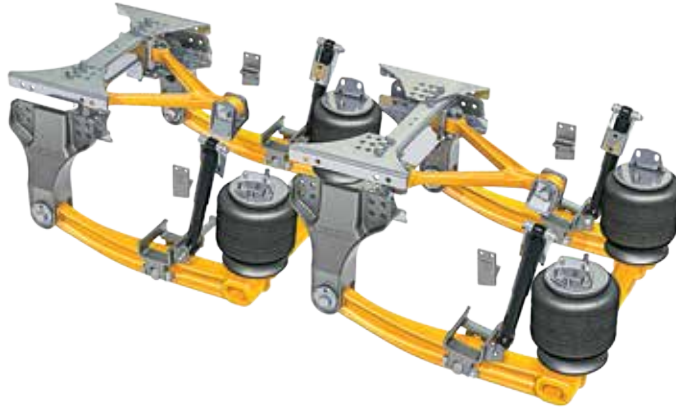
Drive Axle Air Suspensions

Heavy and Severe-Duty Models for Truck and Tractor Applications.
Approved for 100% Off-Road Applications.



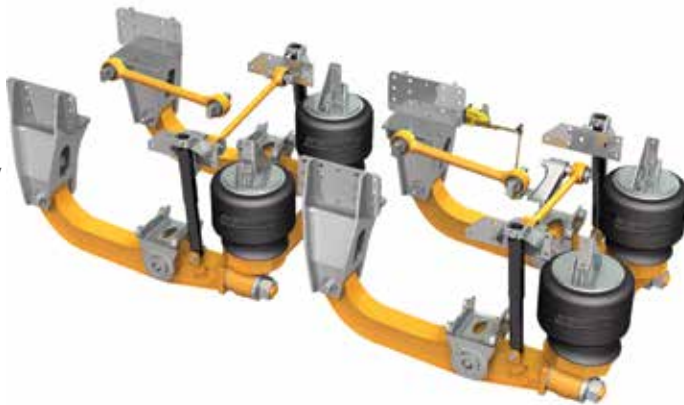
ADZ SERIES THE TOUGHEST LIGHTWEIGHT ON/OFF-ROAD AIR SUSPENSION

- 240 lbs. Lighter Per Tandem Axle
- 54% Increase in Durability Life Testing
- Improved Handling, Roll Stability, and Traction



AD SERIES THE TOUGHEST ON/OFF-ROAD AIR SUSPENSION

- 30,000 lbs. Capacity Drive Axle
- Run-Flat Capable at Reduced Speeds
- Each Axle Independently Suspended



NOTE: When specifying SAF-HOLLAND products for heavy and severe-duty operations, you must comply with the specified product application and capacity ratings and receive approval from vehicle manufacturer. Please contact SAF-HOLLAND Application Engineering for additional specification data and product application approvals.

23,000 TO 26,000 LBS.
CAPACITY PER AXLE

SINGLE AXLE

CAPACITY:

23,000 / 26,000 LBS. (10,433 kg / 11,793 kg)

TANDEM AXLE

CAPACITY:

46,000 / 52,000 LBS. (20,865 kg / 23,587 kg)

TRIDEM AXLE

CAPACITY:

69,000 / 78,000 LBS. (31,298 kg / 35,380 kg)

30,000 LBS.
CAPACITY PER AXLE

SINGLE AXLE

CAPACITY:

30,000 LBS. (13,608 kg)

TANDEM AXLE

CAPACITY:

60,000 LBS. (27,216 kg)

TRIDEM AXLE

CAPACITY:

90,000 LBS. (40,823 kg)



GeminiMDx[®] Manifold Dual Dryer High-Capacity Air Drying System



BUILT FOR THE FREQUENT BRAKING NEEDS OF VOCATIONAL CUSTOMERS

- Allows for up to 70 SCFM
- Unmatched performance with dual configurations
- Filters and dries the air flow to extend the life of downstream parts and components
- Customizable with multiple configurations
- Pre-assembled on mounting brackets with quick-change desiccant cartridges for easy installation and removal
- Greater reliability with the elimination of fittings and tubes reducing potential leak points

Engineering Your Road to Success

The SAF-HOLLAND® Group is one of the leading international manufacturers of suspension-related assemblies and components for trailers, trucks and buses. Our innovative products increase the efficiency, safety and environmental friendliness of commercial vehicles, contribute to the success of our customers. With around 5,000 employees worldwide, we are at the forefront of shaping the future of the transportation industry.



Trailer Axles and
Suspension Systems



Coupling and Lifting
Technologies



Brake Solutions &
Air Valve Technologies



Suspensions and Components
for Commercial Vehicles



Suspensions for
Trucks and Buses



Trailer
Telematics



Coupling and Lifting
Technologies



Trailer Axles and
Suspensions Systems

safholland.com

SAF-HOLLAND, Inc

Tel 800.876.3929

SAF-HOLLAND Canada Limited

Tel 519.537.3494

Western Canada 604.574.7491

SAF-HOLLAND Mexico

Tel 52.55.5456.8641