

# Replacement Instructions

## CBX 25/30 245 Air Spring



### CBX 25/30 245 Fusion Suspension

---

#### Introduction

These instructions provide the information necessary to properly replace the air springs on the CBX25/30 245 Fusion Suspension.

We recommend only the use of SAF-HOLLAND Original Parts.

**NOTE:** A list of SAF-HOLLAND technical support locations that supply SAF-HOLLAND Original Parts can be found at [www.safholland.us](http://www.safholland.us) or contact our customer service group at 888-396-6501.

#### Notes, Cautions, and Warnings

**IMPORTANT:** You must read and understand all of the procedures presented in these instructions before starting work on your CBX 25/30 245 Fusion Suspension.

**⚠ WARNING** Failure to follow all the replacement instructions contained in this document could cause a hazardous condition to develop which, if not avoided, could result in death or serious injury.

Proper tools must be used to perform the replacement procedures described in these instructions.

**NOTE:** In the United States, workshop safety requirements are defined by federal and/or state Occupational Safety and Health Act. Equivalent laws may exist in other countries. These instructions are written based on the assumption that OSHA or other applicable employee safety regulations are followed by the location where work is performed.

Throughout these instructions, you will notice the terms "NOTE", "IMPORTANT", "CAUTION", and "WARNING", followed by useful product information. So that you may better understand these instructions, those terms are as follows:

**NOTE:** Includes additional information to enable accurate and easy performance of procedures.

**IMPORTANT:** Includes additional information that if not followed could lead to hindered product performance.

#### **CAUTION**

Used without the safety alert symbol, indicates a potentially hazardous situation which, if not avoided, could result in property damage.

#### **⚠ CAUTION**

Indicates a potentially hazardous situation which, if not avoided, could result in minor or moderate injury.

#### **⚠ WARNING**

Indicates a potentially hazardous situation which, if not avoided, could result in death or serious injury.

### 1. General Safety Instructions

Read and observe all Warning and Caution hazard alert messages in this publication. They provide information that can help prevent serious personal injury, damage to components, or both.

#### **⚠ WARNING**

Failure to properly support the vehicle and axles prior to commencing work could create a crush hazard which, if not avoided, could result in death or serious injury.

## 2. Kit Contents (Figure 1)

Part Number: 48100548

SRK-682

ITEM	DESCRIPTION	PART NUMBER	QTY.
1	Washer, Lock 0.53"	93600072	3
2	Bolt, Hex 0.5"-13 x 1" GR 2	93002893	3
3	Washer, Lock 0.78"	93600077	2
4	Nut, Hex 0.75"-16 GR B	93400149	2
5	Air Spring Assembly	90557409	1

\*Kit contains components for one air spring repair.

## 3. Replacement Procedures

**IMPORTANT:** The trailer must be unloaded before beginning service procedures.

1. On a level surface, support the front of the trailer with either a kingpin stand, landing gear, or coupled to a tractor (**Figure 2**).
2. Raise the trailer frame approximately 2" (51 mm) above the suspension's specified ride height.
3. Place multiple jack stands at the suspension's specified ride height under the vehicle frame at OEM specified locations, then lower the trailer onto the jack stands.

**NOTE:** It may be necessary to shim jack stands to achieve specified height.

### **WARNING**

Failure to properly support the suspension during maintenance could create a crush hazard which, if not avoided, could result in death or serious injury.

4. Exhaust all air from the suspension, set parking brakes, and chock the wheels.

### **WARNING**

Failure to exhaust the suspension air and chock the tires prior to beginning maintenance could allow vehicle movement which, if not avoided, could result in death or serious injury.

5. Disconnect, remove, and discard old air spring assembly (**Figure 3**).
6. Install new air spring assembly and torque fasteners. Torque lower 1/2" bolts 30-40 ft.-lbs. (41-54 N•m) and upper 3/4" nuts 40-45 ft.-lbs. (54-69 N•m).

**NOTE:** It may be necessary to remove the upper air inlet plug supplied on the new air spring and relocate it into the other upper stud depending on suspension plumbing.

Figure 1

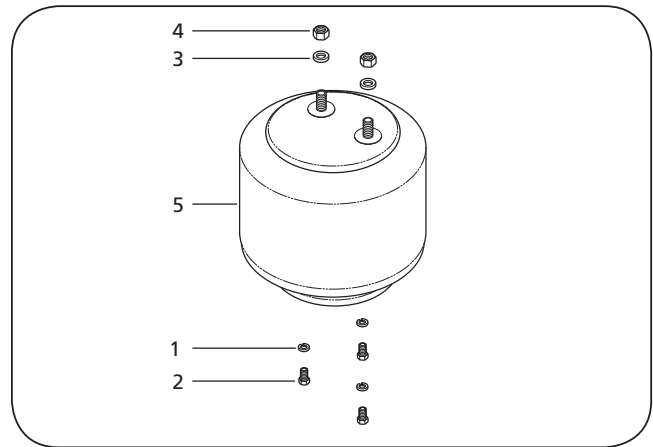


Figure 2

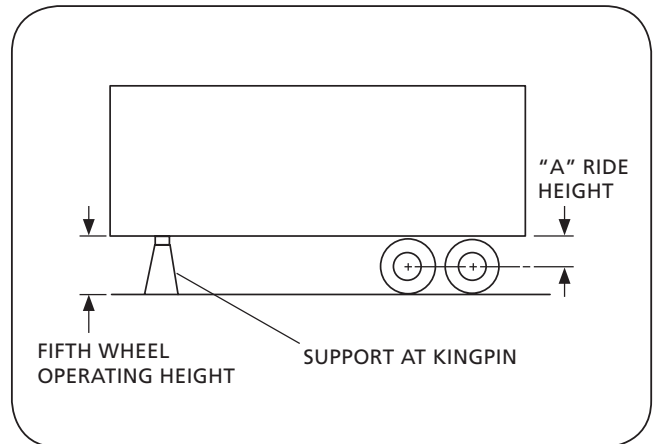
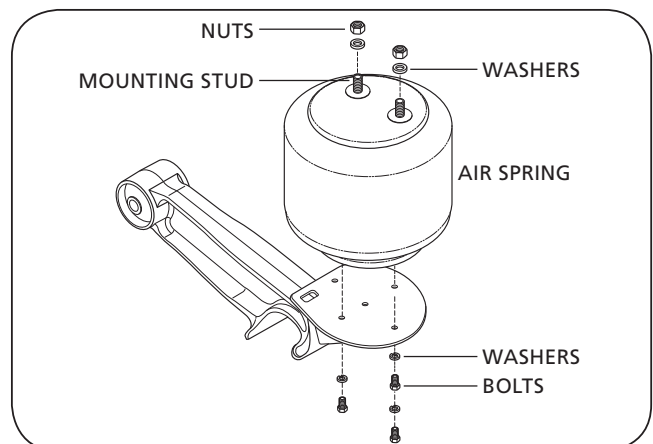


Figure 3



7. Reconnect air supply line.
8. Raise the trailer approximately 2" (51 mm) above ride height and remove jack stands.
9. Slowly lower the trailer so that trailer suspension is fully collapsed.
10. Apply air to the trailer and allow the suspension to return to ride height.
11. Verify all air connection fittings are tight. Check all fittings for air leaks by applying a soapy water solution and checking for bubbles at all air connections and fittings.

**IMPORTANT:** It is the responsibility of the air system installer to secure all air lines and check for any air leaks. If air leaks are detected, repair as required.

**CAUTION**

Failure to eliminate air leaks could compromise suspension performance which, if not avoided, could result in component or property damage.

12. Remove wheel chocks.



From fifth wheel rebuild kits to suspension bushing repair kits, SAF-HOLLAND Original Parts are the same quality components used in the original component assembly.

SAF-HOLLAND Original Parts are tested and designed to provide maximum performance and durability. Will-fits, look-alikes or, worse yet, counterfeit parts will only limit the performance potential and could possibly void SAF-HOLLAND's warranty. Always be sure to spec

SAF-HOLLAND Original Parts when servicing your SAF-HOLLAND product.

**SAF-HOLLAND USA • 888.396.6501 • Fax 800.356.3929**  
[www.safholland.us](http://www.safholland.us)

**SAF-HOLLAND CANADA • 519.537.3494 • Fax 800.565.7753**  
**WESTERN CANADA • 604.574.7491 • Fax 604.574.0244**  
[www.safholland.ca](http://www.safholland.ca)

**SAF-HOLLAND MEXICO • 52.55.5362.8743 • Fax 52.55.5362.8743**  
[www.safholland.com.mx](http://www.safholland.com.mx)

[info@safholland.com](mailto:info@safholland.com)