



XA-T-150-AF

XA-T-150-AF SPECIFICATIONS



XA-T-150-AF Rigid mount industrial coupler

50 lbs. Maximum Vertical Load
15,000 lbs. Maximum Gross Trailer Weight
Weight: 15 lbs.

⚠ WARNING Maintain sufficient vertical (tongue) load to adequately control the trailer (generally 10% of G.T.W.), but do not exceed the above rated capacities.

TOWING APPLICATIONS:

Non-highway towing applications such as the movement of material inside or between manufacturing plants and similar material handling towing applications. **Not designed for over-the-road use.**

DRAWBAR EYE DIMENSIONS:

XA-T-150-AF is designed to be used with drawbars with a 5" I.D. and a 1" diameter section. Other sizes can be used provided that they permit proper coupling and are of compatible capacity.

MOUNTING:

1. Use a mounting structure of sufficient strength to support the rated capacity of the coupler and drawbar. Refer to SAE J849 and SAE J847.
2. Use the hole patterns described on the reverse.
3. Use (4) 0.50" Grade 8 fasteners, properly tightened.

OPERATING INSTRUCTIONS:

⚠ WARNING When operating, use extreme caution. The mechanism of the coupler may allow sudden movement of trailer and tow vehicle, and could cause injury to the operator.

1. Before operating inspect for proper operation; worn, damaged, or missing parts; and a secure mounting. Correct as required before use.
2. Open coupler jaw (A) by pushing release handle (B) toward base of XA-T-150-AF. Jaw will open automatically.

3. To couple, back near the trailer with the drawbar ring centered on the coupler (XA-T-150-AF). Stop and adjust the drawbar height so that it will enter the coupler mouth. Back in slowly to automatically lock the coupler to the drawbar.

⚠ WARNING **DO NOT** damage the coupler or its components. Be particularly careful with the drawbar when coupling and uncoupling.

4. Check that the coupler jaw is closed and locked (release handle is fully against coupler body).

⚠ WARNING Other steps and inspections are also required. Consult OSHA regulations for complete coupling and uncoupling procedures.

MAINTENANCE:

1. Clean and check for proper operation.
2. Inspect for worn, damaged or missing parts. Replace only with Holland parts.
3. Regularly lubricate pivot points with a light oil lubricant.
4. Check the mounting fasteners for proper torque.

GENERAL INFORMATION:

1. Do not modify or add to the product.
2. Wear safety goggles during installation and removal.
3. Never strike any part of the item with a steel hammer.
4. Do not weld on this product without written consent from the factory.

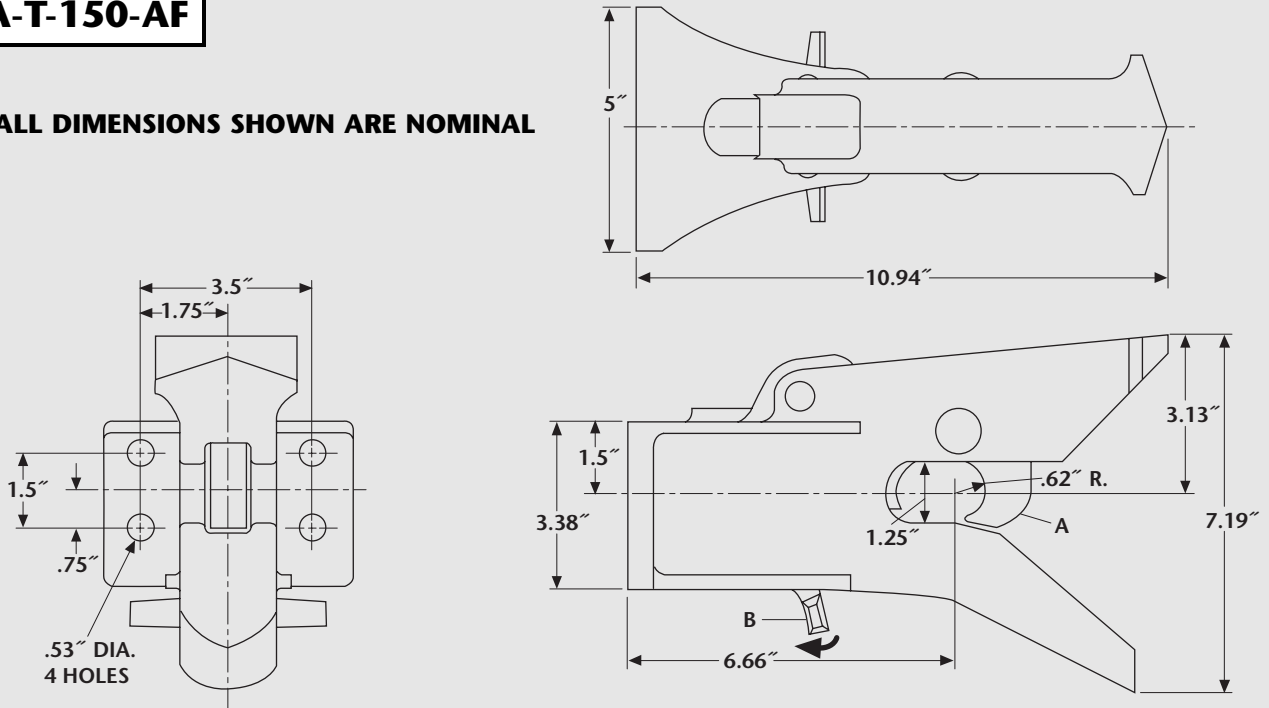


This equipment must not be used or maintained in a careless manner.

This product is covered by Holland's Commercial Products Warranty. Holland reserves the right, without giving prior notice, to change specifications and dimensions as designs are altered or improved.

XA-T-150-AF

ALL DIMENSIONS SHOWN ARE NOMINAL



GO THE DISTANCE.

HOLLAND USA, INC.
 1950 Industrial Blvd. • P.O. Box 425
 Muskegon, MI 49443-0425
 Phone 888-396-6501 • Fax 800-356-3929
 www.thehollandgroupinc.com

Copyright © February 2007 • The Holland Group, Inc.

Holland USA, Inc. Facilities:
 Dumas, AR Muskegon, MI
 Holland, MI Warrenton, MO
 Monroe, NC Wylie, TX
 Ph: 888-396-6501 Fax: 800-356-3929

Holland International, Inc.
 Holland, MI
 Phone: 616-396-6501
 Fax: 616-396-1511

Holland Hitch of Canada, Ltd.
 Woodstock, Ontario • Canada
 Phone: 519-537-3494
 Fax: 800-565-7753

Holland Equipment, Ltd.
 Norwich, Ontario • Canada
 Phone: 519-863-3414
 Fax: 519-863-2398

Holland Hitch Western, Ltd.
 Surrey, British Columbia • Canada
 Phone: 604-574-7491
 Fax: 604-574-0244