

Operation Instructions

SAF-HOLLAND® P89

Disc Brake Pad Measuring Tool Instructions

Tool Part Number: 48100745

March 2021

1. Introduction

This tool is designed to measure the remaining brake pad thickness on SAF-HOLLAND P89 Air Disc Brake Axles.

2. Operation Instructions

1. Properly support and secure the vehicle from unexpected movement when servicing the unit.

⚠WARNING Failure to properly support and secure the vehicle and axles prior to commencing work could create a crush or roll away hazard which, if not avoided, could result in death or serious injury.

2. Ensure the brakes are applied on the vehicle (service or parking brakes are fine).
3. Locate the scale on the slide pin of the tool that reads "SAF-HOLLAND P89" (**Figure 1**).
4. Pull the pin out to approximately the 30mm mark on the correct scale (**Figure 2**).
5. Place the tab of the gold portion of the tool against the long slide pin cap of the caliper, making sure to locate the tool correctly via the roll pins (**Figures 3 and 4**).

Figure 1

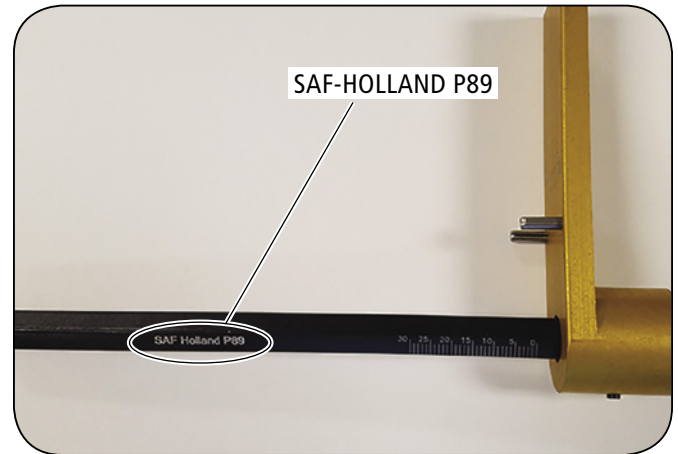


Figure 2

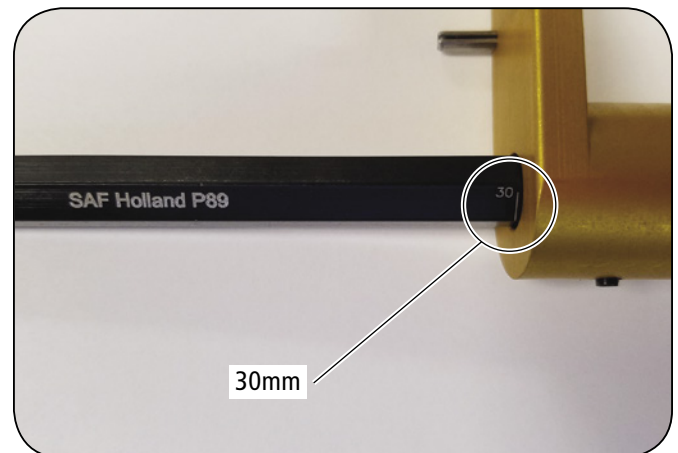


Figure 3

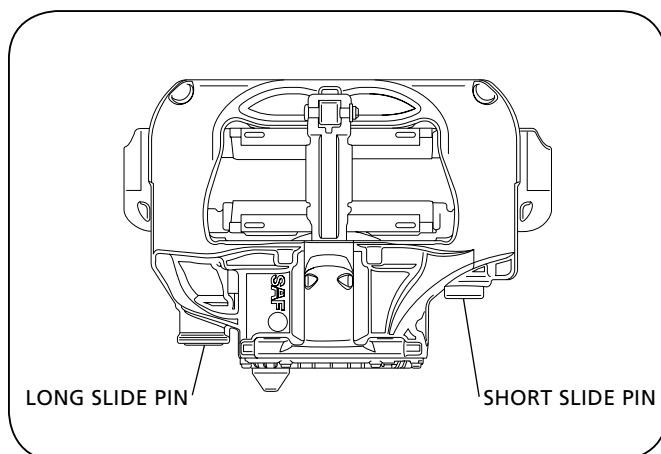
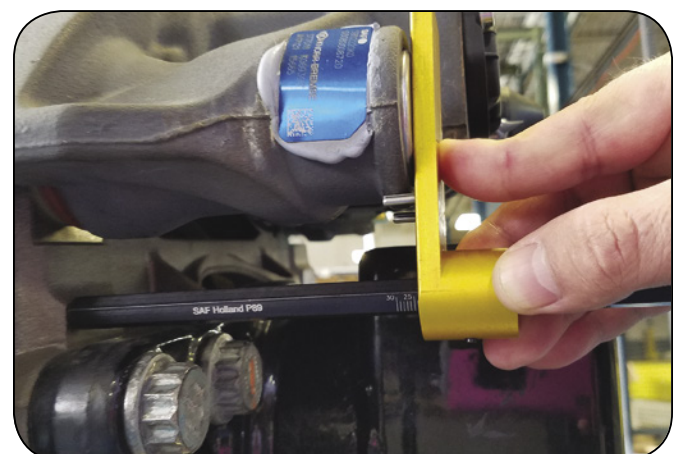


Figure 4



6. Push the pin in until it engages the caliper carrier on the machined mating surface (**Figures 5 and 6**).
7. Remove the tool and read the scale on the scale marked "SAF-HOLLAND P89" to determine the remaining pad thickness (**Figure 7**).

Figure 5



Figure 6

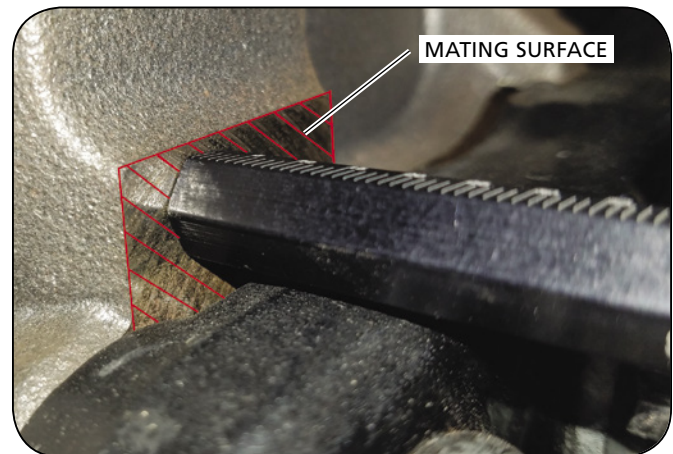


Figure 7

