

SAF-HOLLAND® Air Disc Brake Caliper Identification

This service components including brake pads are NOT interchangeable between the Knorr S7 (SK7) Brake Caliper and the SAF SBS 2220 K0 (ST7) brake caliper

PLEASE NOTE:

Effective September 2016

SAF-HOLLAND transitioned the INTEGRAL® air disc brake models from the Knorr S7 caliper to the SAF SBS 2220 K0

Knorr-Bremse® SK7 Brake Caliper

The Knorr-Bremse SK7 Caliper has a large indentation on the forward face and no SAF® logo on the rear of the caliper (**Figure 1**).

The brake pads in the SK7 caliper are the same for the inner and outer side of the caliper. The back of the brake pad has the Knorr-Bremse logo and six (6) slots on the back of the caliper (**Figure 2**).

For instructions on SK7 brake caliper inspection and repair, refer to Knorr-Bremse Pneumatic Disc Brake SN6-SN7-SK7 Service Manual Y006471 which can be found at www.knorr-bremse.com/en/.

Figure 1

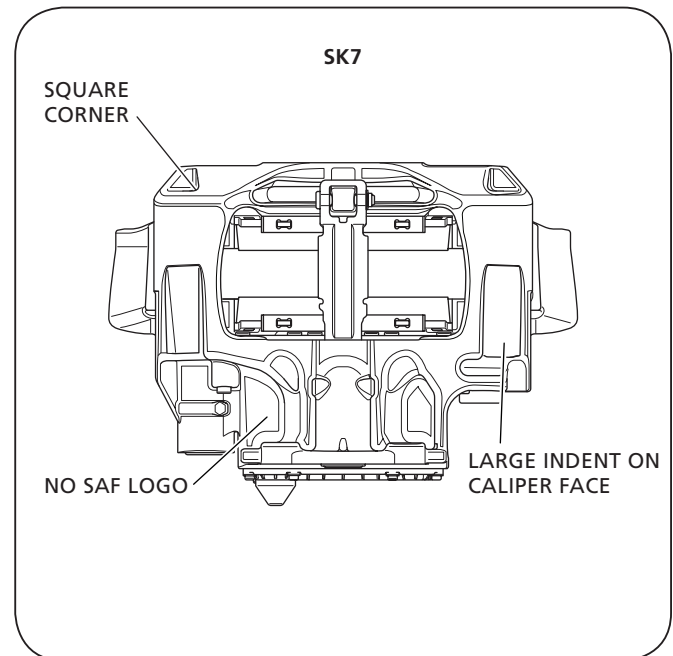
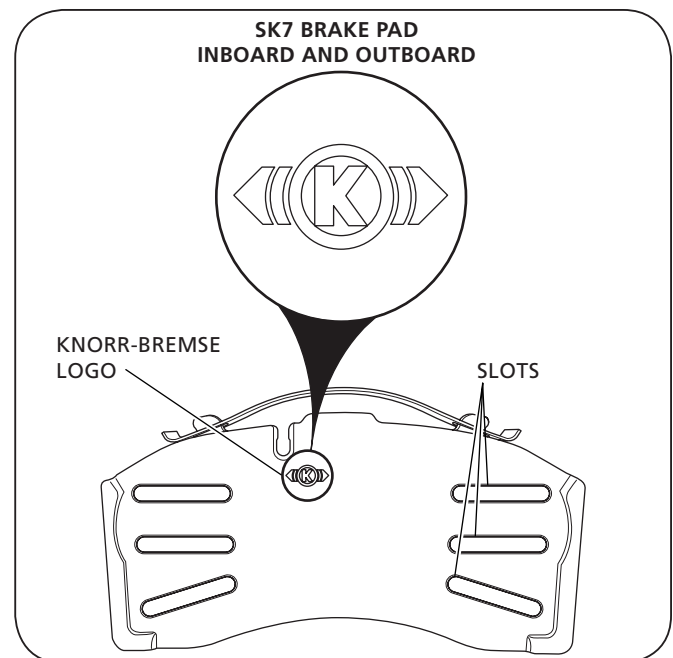


Figure 2



SAF-HOLLAND® Air disc Brake Caliper Identification

This service components including brake pads are NOT interchangeable between the Knorr S7 (SK7) Brake Caliper and the SAF SBS 2220 K0 (ST7) brake caliper

SAF-HOLLAND SBS 2220 K0 (ST7) Caliper

The SAF-HOLLAND SBS 2220 K0 has a smooth forward face of the caliper and SAF logo on the rear side (**Figure 3**).

The inner and outer brake pads for the SBS 2220 K0 are different in shape. The inner brake pad has two "circle X's" on the back side, while the outer brake pad has a relatively smooth back. There is also a notch on the pads to keep them from being installed in the wrong position (**Figure 4**).

For instructions on SBS 2220 K0 brake caliper inspection and repair, refer to XL-AS20032RM-en-US which can be found at www.safholland.com.

Figure 3

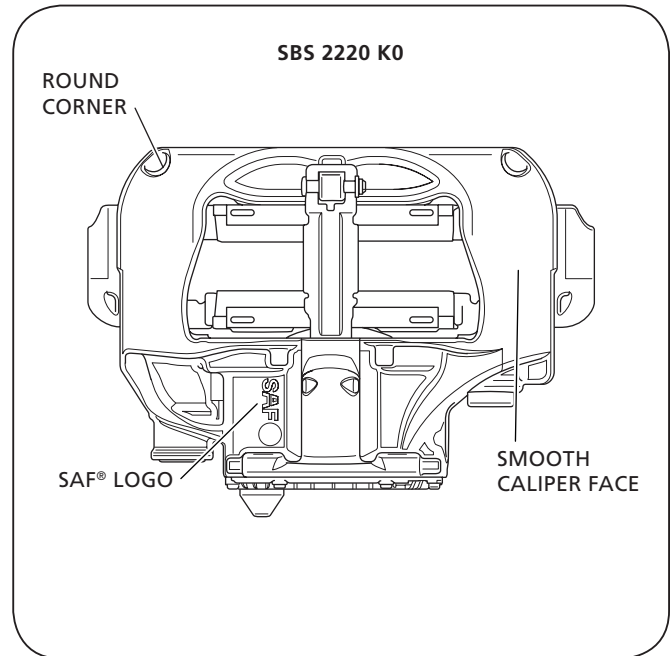


Figure 4

